



US00D337026S

United States Patent [19]

[11] Patent Number: **Des. 337,026**

Higgins

[45] Date of Patent: **** Jul. 6, 1993**

[54] **CAKE COVER**

2,960,770	11/1960	Valenta	D7/610 X
3,653,577	4/1972	Wyner .	
3,819,455	6/1974	Mackendrick	D7/610 X
4,206,845	6/1980	Christian .	

[76] Inventor: **Frederick Higgins, P.O. Box 2866, Country Club Hills, Ill. 60478**

Primary Examiner—Terry A. Pfeffer
Attorney, Agent, or Firm—Terry M. Gernstein

[**] Term: **14 Years**

[57] CLAIM

[21] Appl. No.: **745,375**

The ornamental design for a cake cover, as shown and described.

[22] Filed: **Aug. 15, 1991**

[52] U.S. Cl. **D7/610**

[58] Field of Search **D7/610; D26/9, 10, 12; 431/288, 293, 295, 297**

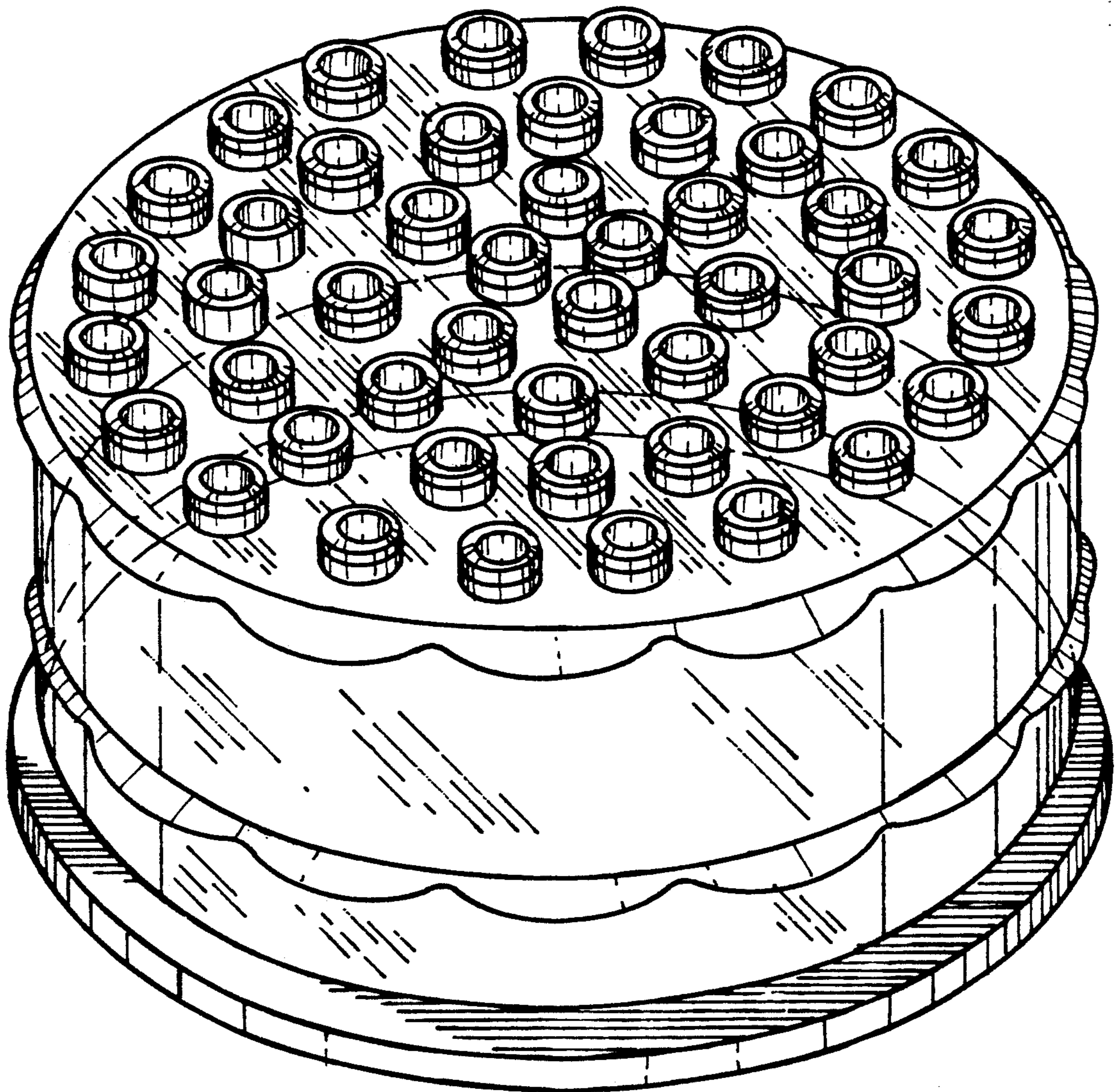
DESCRIPTION

[56] References Cited

U.S. PATENT DOCUMENTS

D. 285,159	8/1986	Wexler	D7/610
1,125,855	1/1915	Mapes	D7/610 X

FIG. 1 is a top perspective view of a cake cover showing my new design;
FIG. 2 is a side elevational view thereof, the remaining sides being identical;
FIG. 3 is a top plan view thereof; and,
FIG. 4 is a bottom plan view thereof.



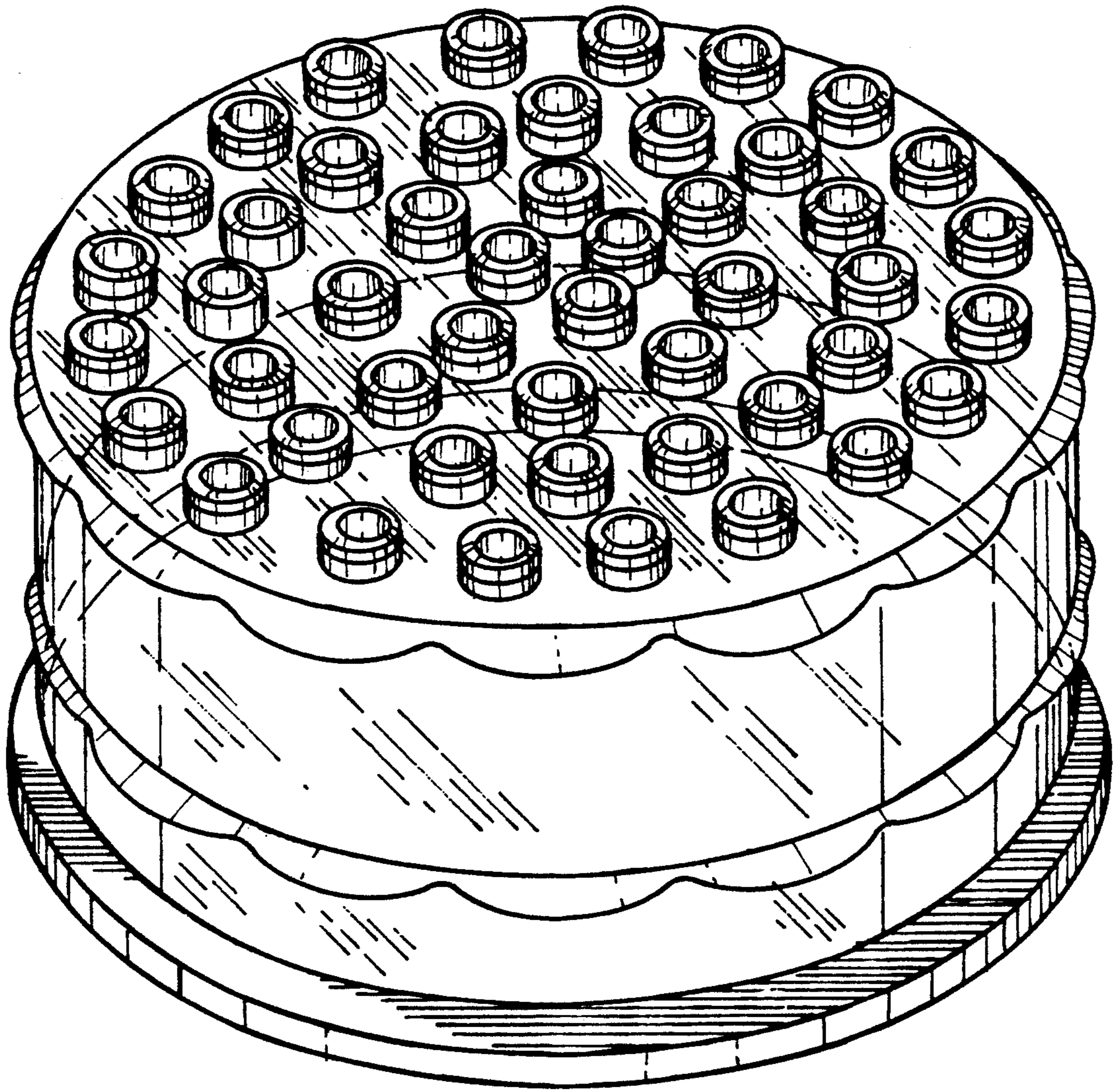


FIG. 1

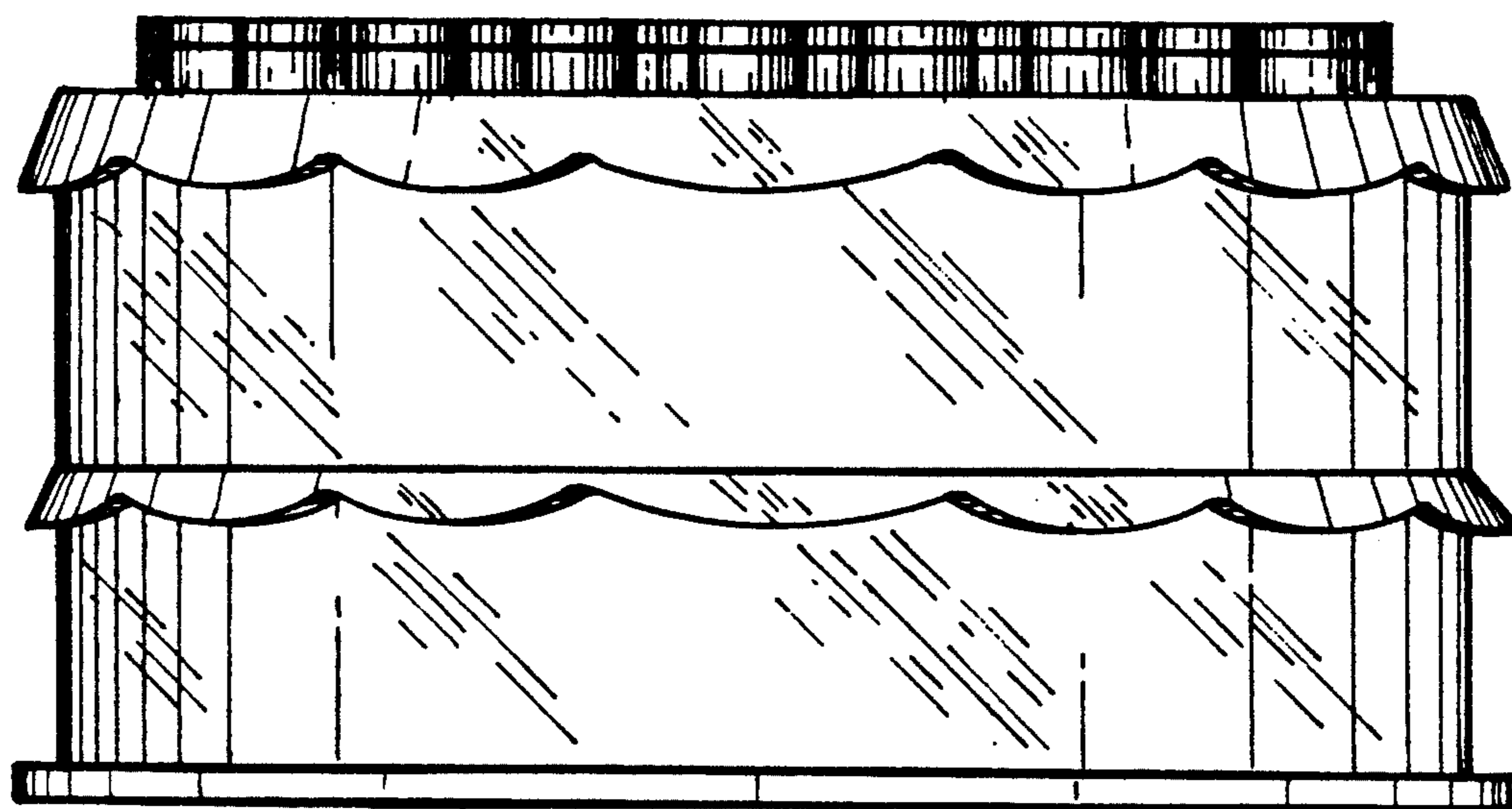


FIG. 2

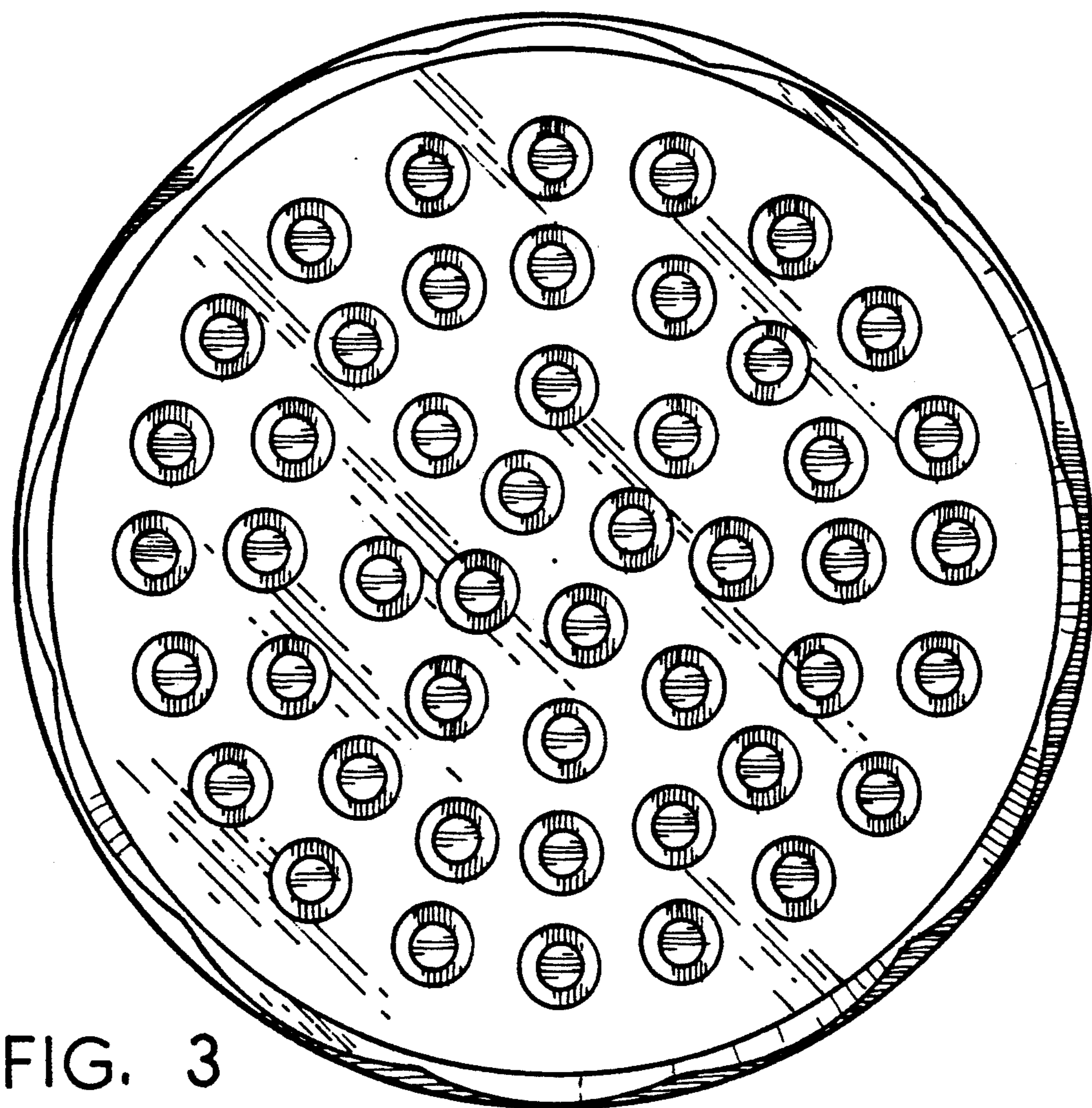


FIG. 3

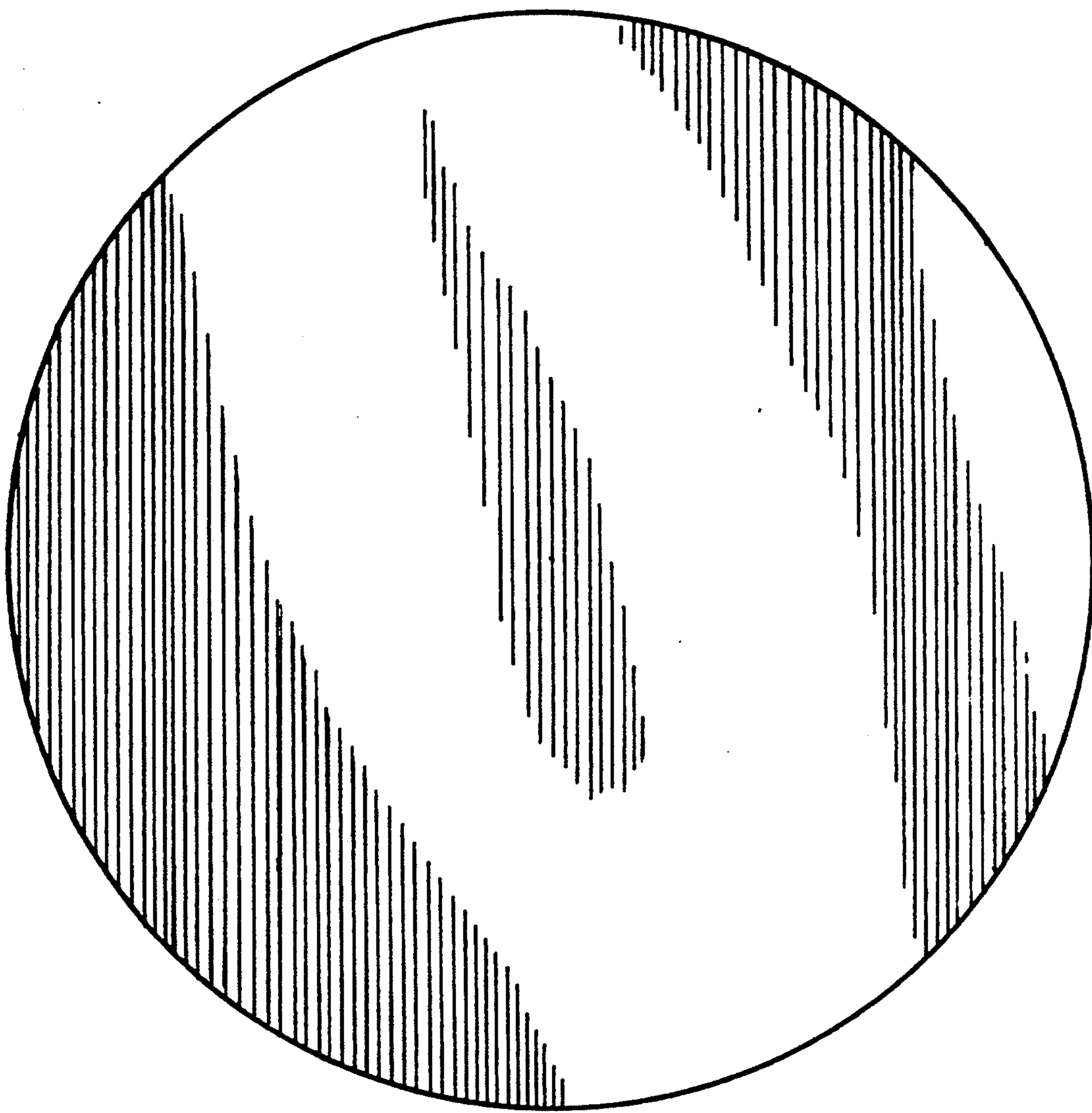


FIG. 4