



US00D337024S

United States Patent [19] Stickel, III

[11] Patent Number: **Des. 337,024**

[45] Date of Patent: **** Jul. 6, 1993**

- [54] **BARBEQUE TRAY**
- [75] Inventor: **J. Frederick Stickel, III**, Buffalo Grove, Ill.
- [73] Assignee: **Teledyne Industries, Inc.**, Los Angeles, Calif.
- [**] Term: **14 Years**
- [21] Appl. No.: **611,009**
- [22] Filed: **Nov. 8, 1990**
- [52] U.S. Cl. **D7/549; D7/698**
- [58] Field of Search **D7/550, 554, 698, 699; 269/289 R, 302.1, 291, 303, 315, 54.5, 900**

| | | | |
|-----------|--------|---------------------|-----------|
| 4,688,541 | 8/1987 | Stephen et al. | 126/25 R |
| 4,840,361 | 6/1989 | Richter | 269/289 R |
| 4,907,789 | 3/1990 | Tice | 269/13 |

OTHER PUBLICATIONS

The Gift and Art Buyer; May 1961; p. 57; Cracker n Dig Paddle #10 far left second row.

Primary Examiner—Alan P. Douglas
Assistant Examiner—Caron D. Veynar
Attorney, Agent, or Firm—Shoemaker and Mattare Ltd.

[57] CLAIM

The ornamental design for a barbeque tray, as shown and described.

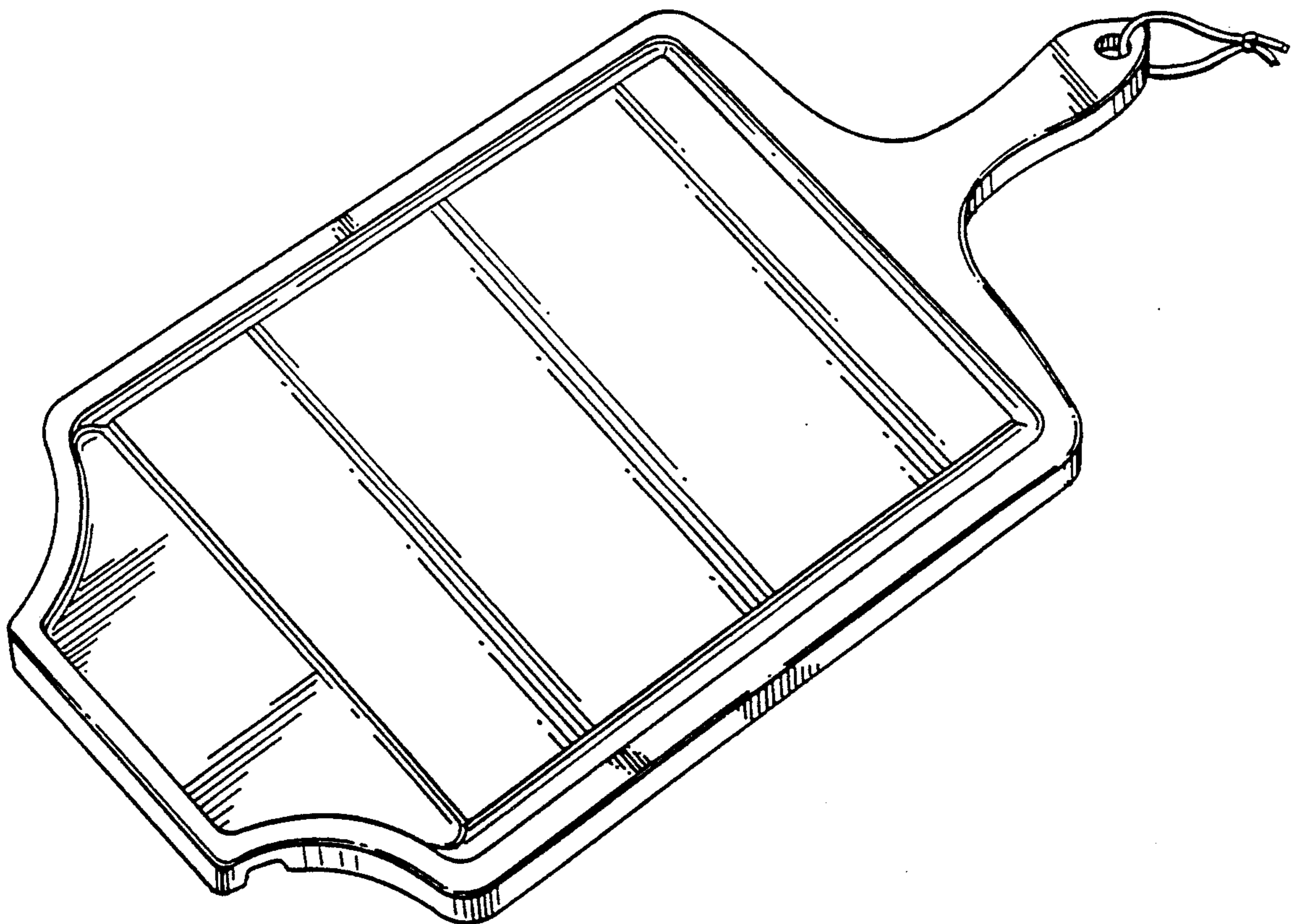
[56] References Cited

U.S. PATENT DOCUMENTS

| | | | |
|------------|---------|---------------------------|----------|
| D. 142,231 | 8/1945 | Snoke | D7/554 |
| D. 225,764 | 1/1973 | Duecker | D7/698 |
| D. 239,688 | 4/1976 | Doman et al. | D7/698 |
| D. 281,566 | 12/1985 | Gangelhoff et al. | D7/698 |
| D. 298,406 | 11/1988 | Stephen et al. | D7/402 |
| 4,152,845 | 5/1979 | Ezzell | D7/699 X |
| 4,337,751 | 7/1982 | Sampson et al. | 126/25 R |
| 4,665,888 | 5/1987 | Christen, Jr. et al. | 126/25 R |

DESCRIPTION

- FIG. 1 is a perspective view of a barbeque tray, showing my new design;
- FIG. 2 is a top plan view thereof;
- FIG. 3 is a bottom plan view thereof;
- FIG. 4 is a side elevational view thereof;
- FIG. 5 is a sectional view taken along the line 5—5 in FIG. 2;
- FIG. 6 is a right end view thereof; and,
- FIG. 7 is a left end view thereof.



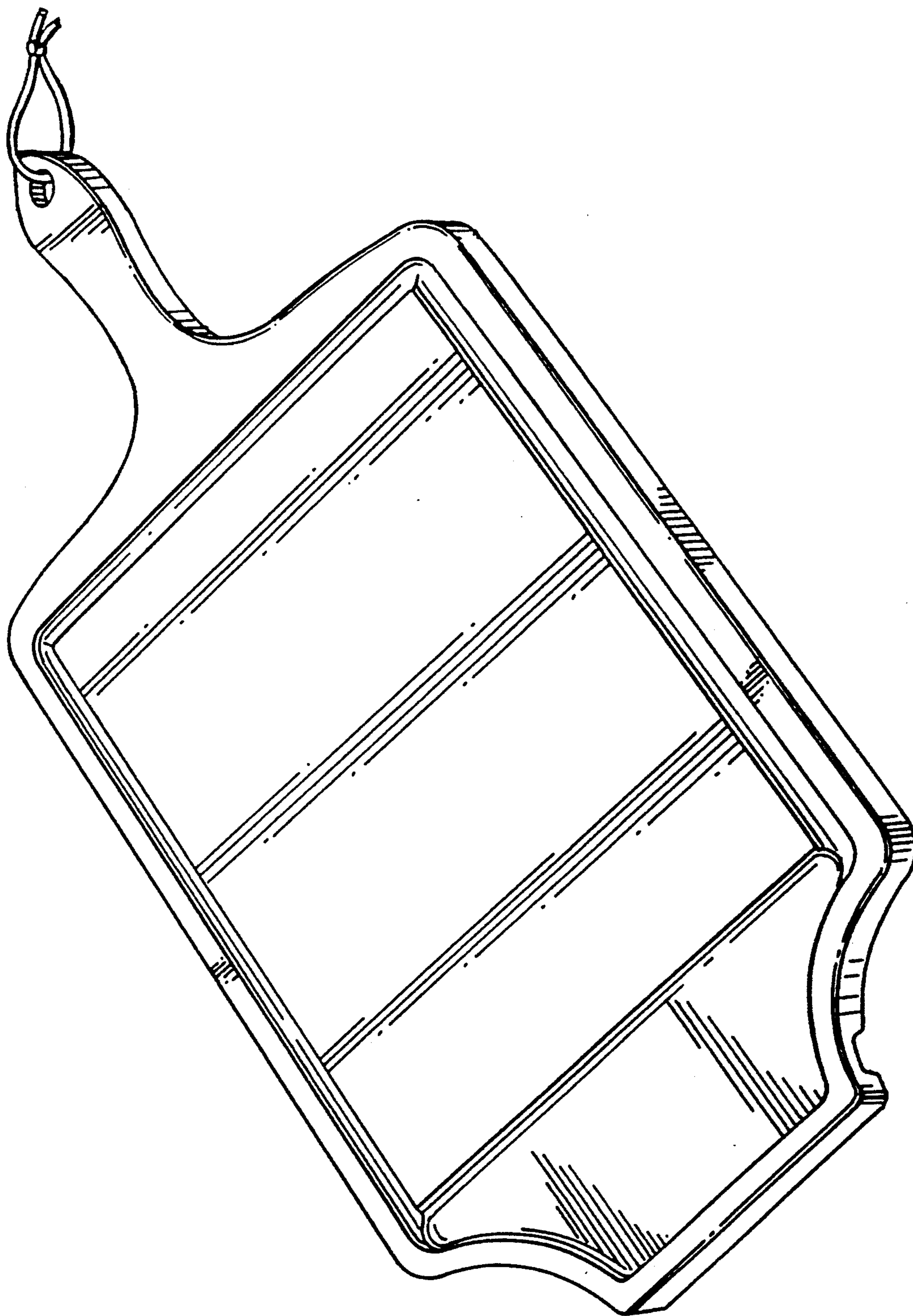
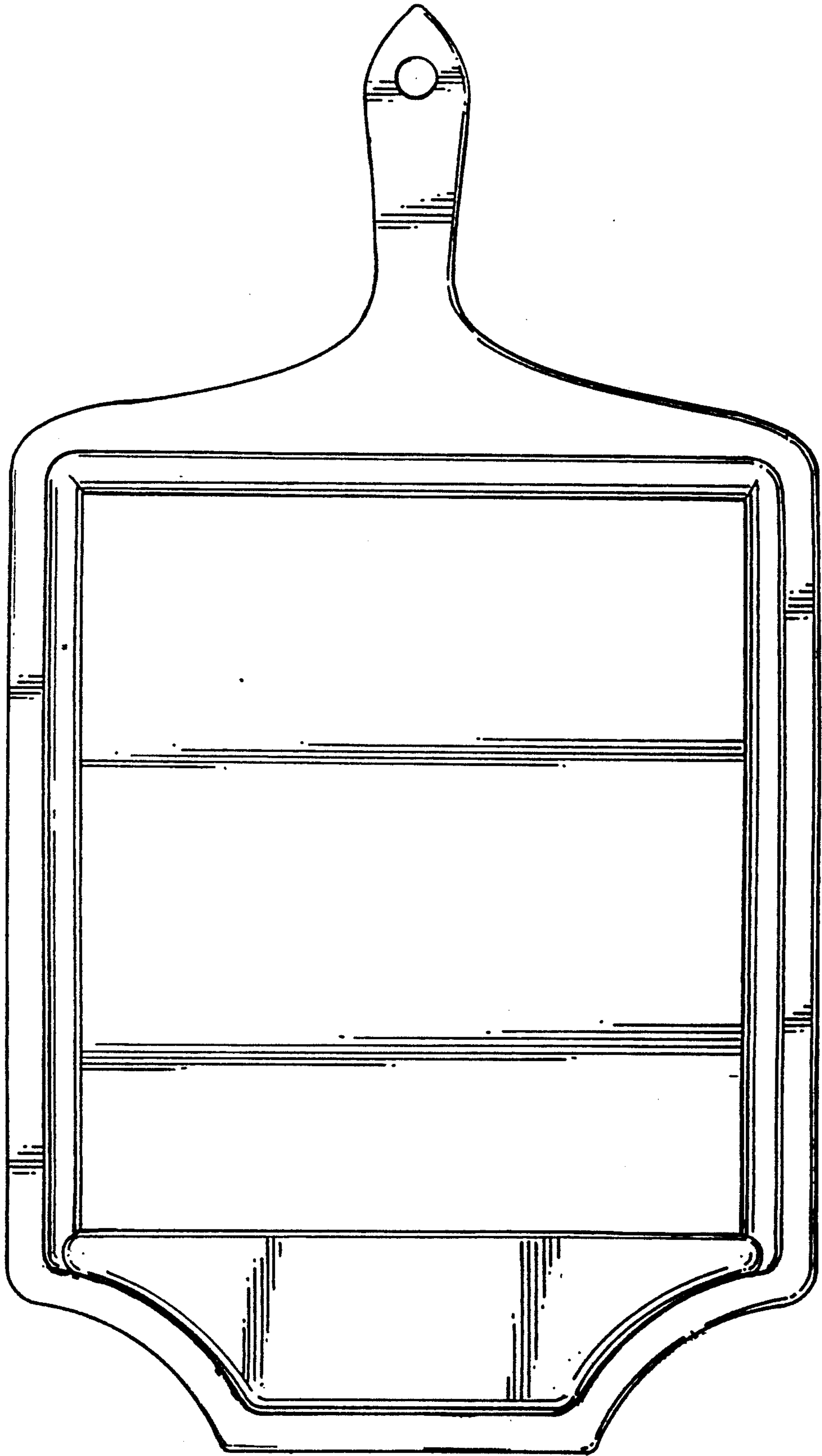


FIG. 1.

FIG. 2.



51

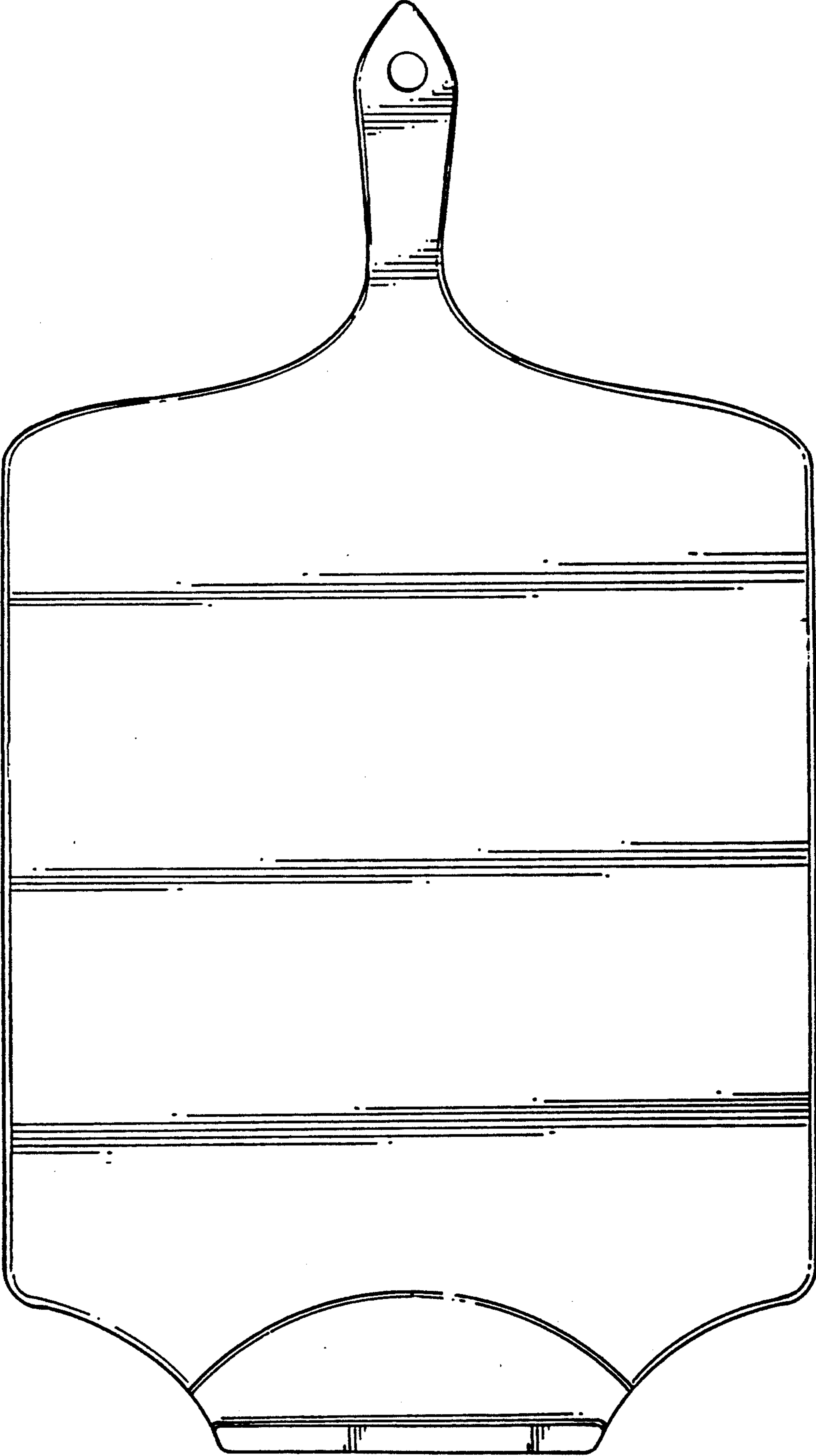


FIG. 3.

FIG. 4.

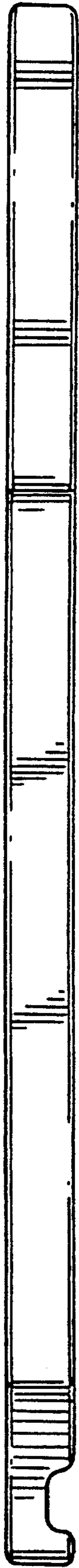


FIG. 5.

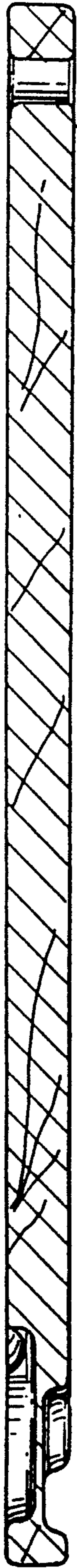


FIG. 6.



FIG. 7.

