



US00D337021S

United States Patent [19]

[11] Patent Number: **Des. 337,021**

Boetto et al.

[45] Date of Patent: **** Jul. 6, 1993**

[54] **AUTOMATED FOOD FRYING MACHINE**

D. 230,767 3/1974 Miller et al. D7/339
D. 287,795 1/1987 Streepy D7/339
4,444,095 4/1984 Anetsberger et al. 99/330

[75] Inventors: **Joseph C. Boetto; Robert L. Cahlander**, both of Red Wing; **David W. Carroll**, Cannon Falls; **Gregory A. Lawrence**, Red Wing, all of Minn.; **Alfred C. Hollingsworth**, Naperville, Ill.

OTHER PUBLICATIONS

Turbo-Fry Division; Pitco Frialator, Inc. ©, Oct. 1986, "Turbo-Fry Model TBFK IV".
Anets Form FF-MXF, Mar. 1986, Front page "MX-Series & 14G Series Gas Fryers".

[73] Assignee: **Restaurant Technology, Inc.**, Oak Brook, Ill.

Primary Examiner—A. Hugo Word
Assistant Examiner—Ruth McInroy
Attorney, Agent, or Firm—Jenner & Block

[**] Term: **14 Years**

[57] CLAIM

[21] Appl. No.: **519,366**

The ornamental design for an automated food frying machine, as shown and described.

[22] Filed: **May 4, 1990**

DESCRIPTION

[52] U.S. Cl. **D7/339**

[58] Field of Search D7/323, 339, 340, 341, D7/346, 347, 348; 99/403, 404, 407-410, 413-418, 330, 336, 355, 359; 219/440-441

FIG. 1 is a front elevational view of an automated food frying machine showing our new design; FIG. 2 is a right side elevational view thereof; FIG. 3 is a left side elevational view thereof; FIG. 4 is a perspective view thereof; FIG. 5 is a top plan view thereof; and, FIG. 6 is a rear elevational view thereof.

[56] References Cited

U.S. PATENT DOCUMENTS

D. 191,024 8/1961 Buday D7/339
D. 200,280 2/1965 Payne D7/347
D. 222,515 10/1971 Goetz D7/339
D. 228,261 8/1973 Bull D7/340

The undisclosed bottom view is plain and unornamented.

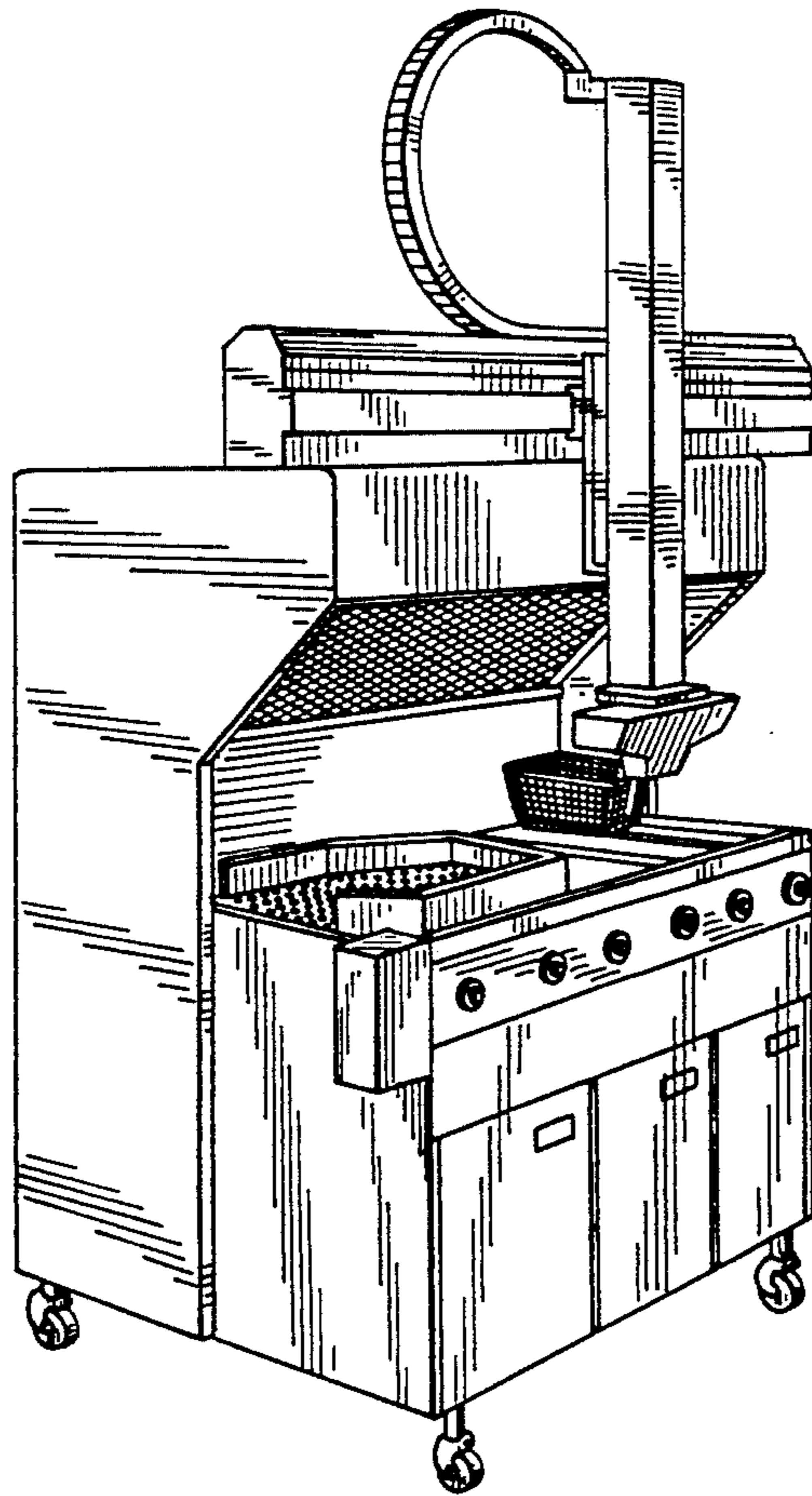


Fig. 1

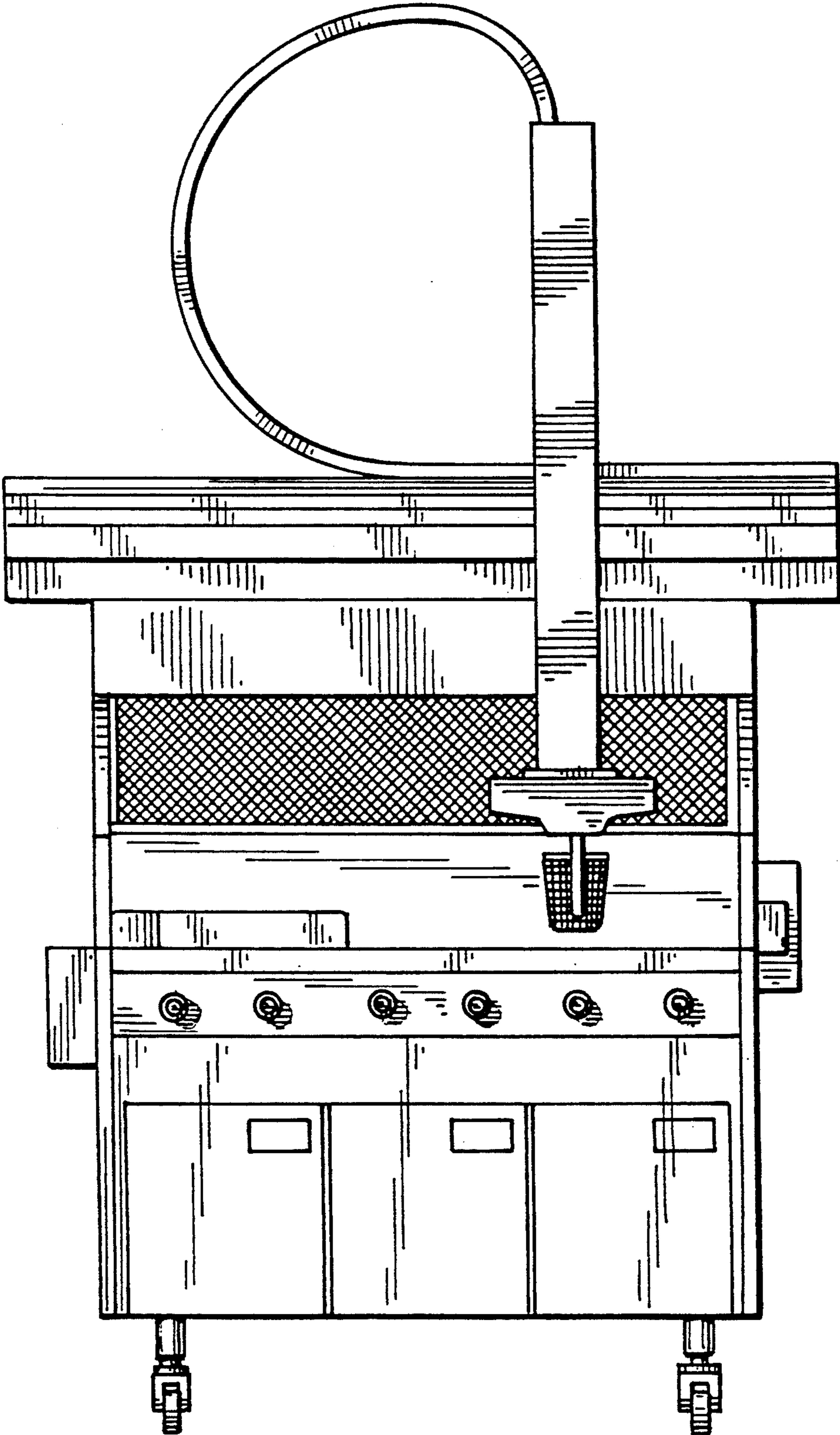


Fig. 2

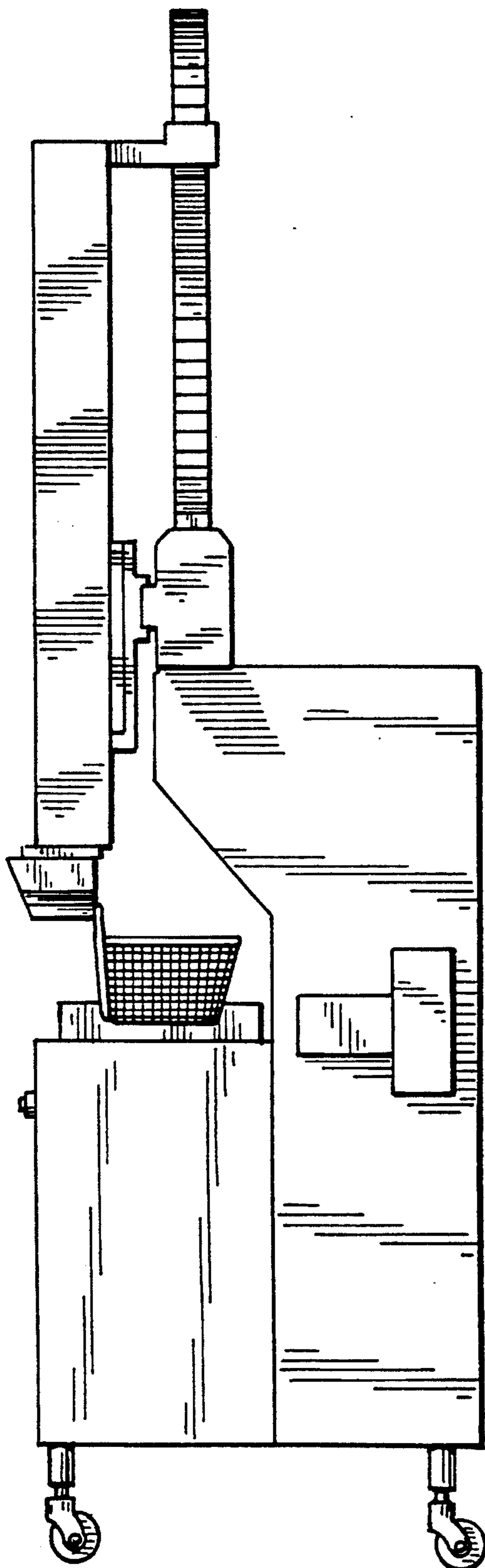


Fig. 3

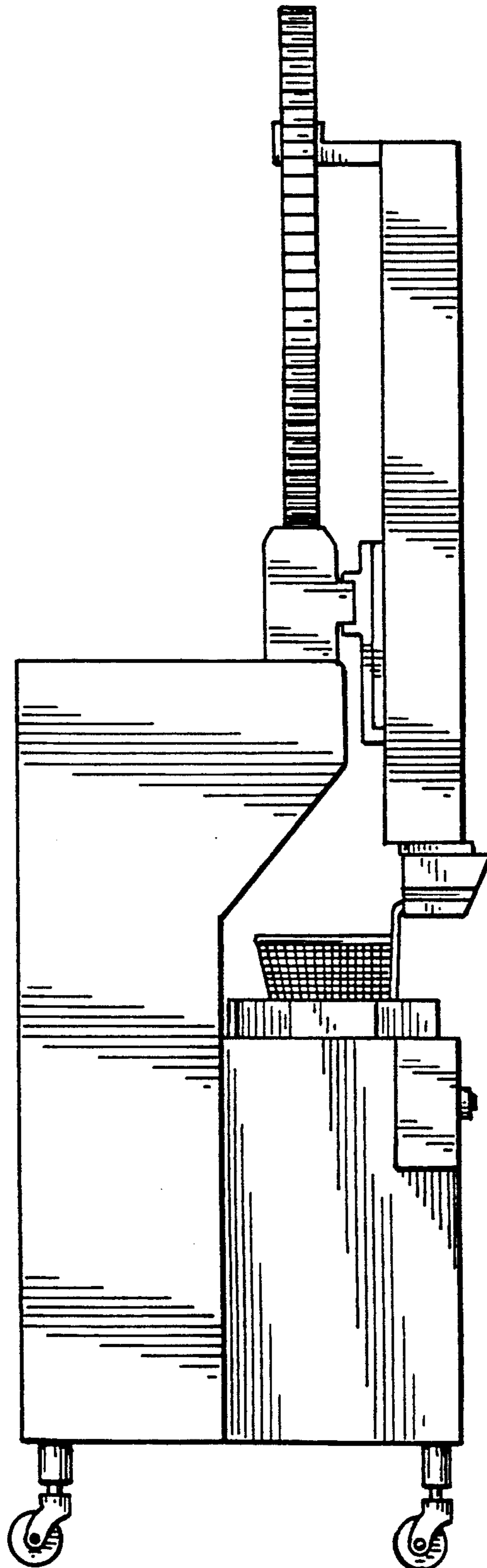


Fig. 4

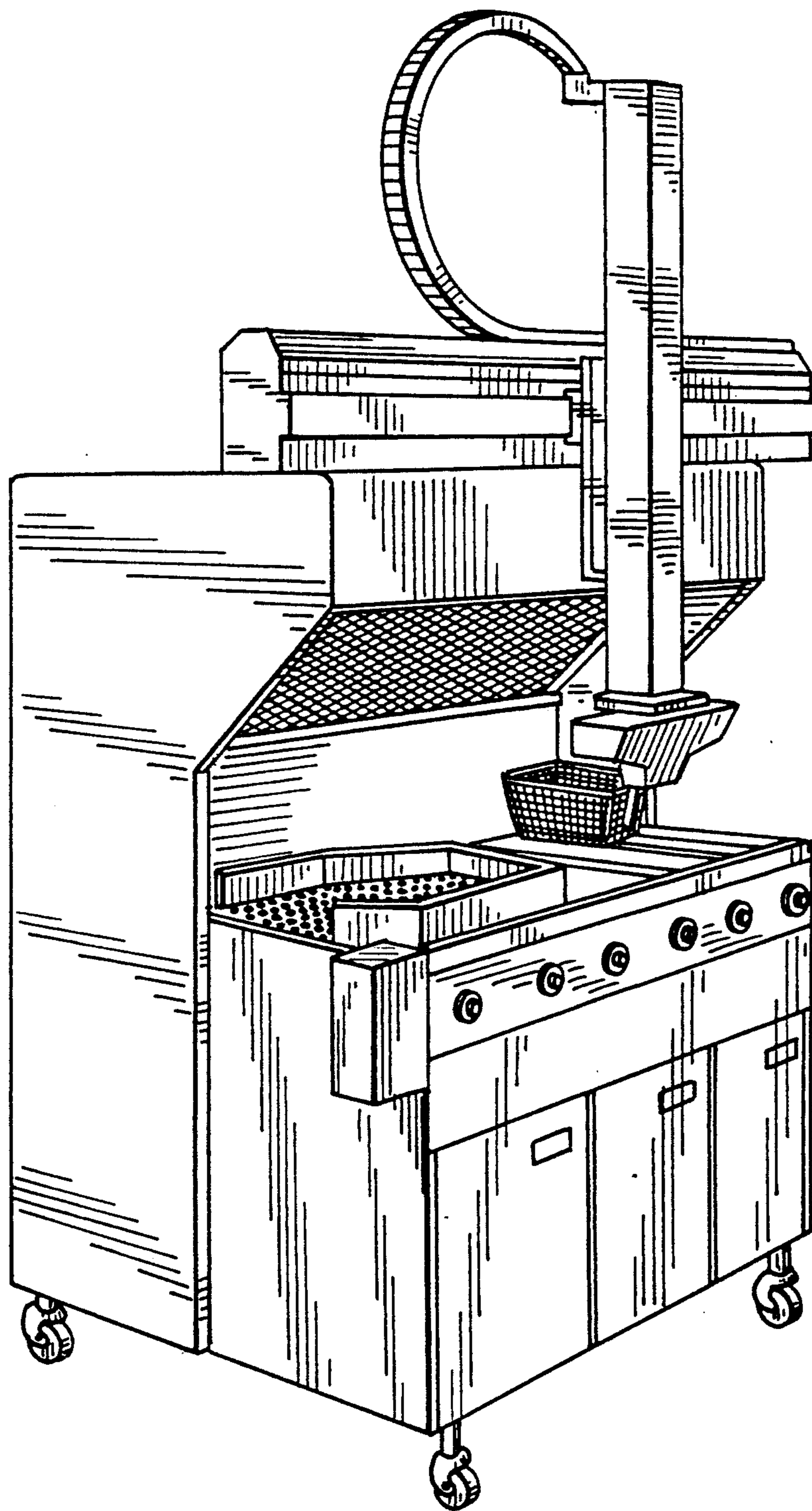


Fig. 5

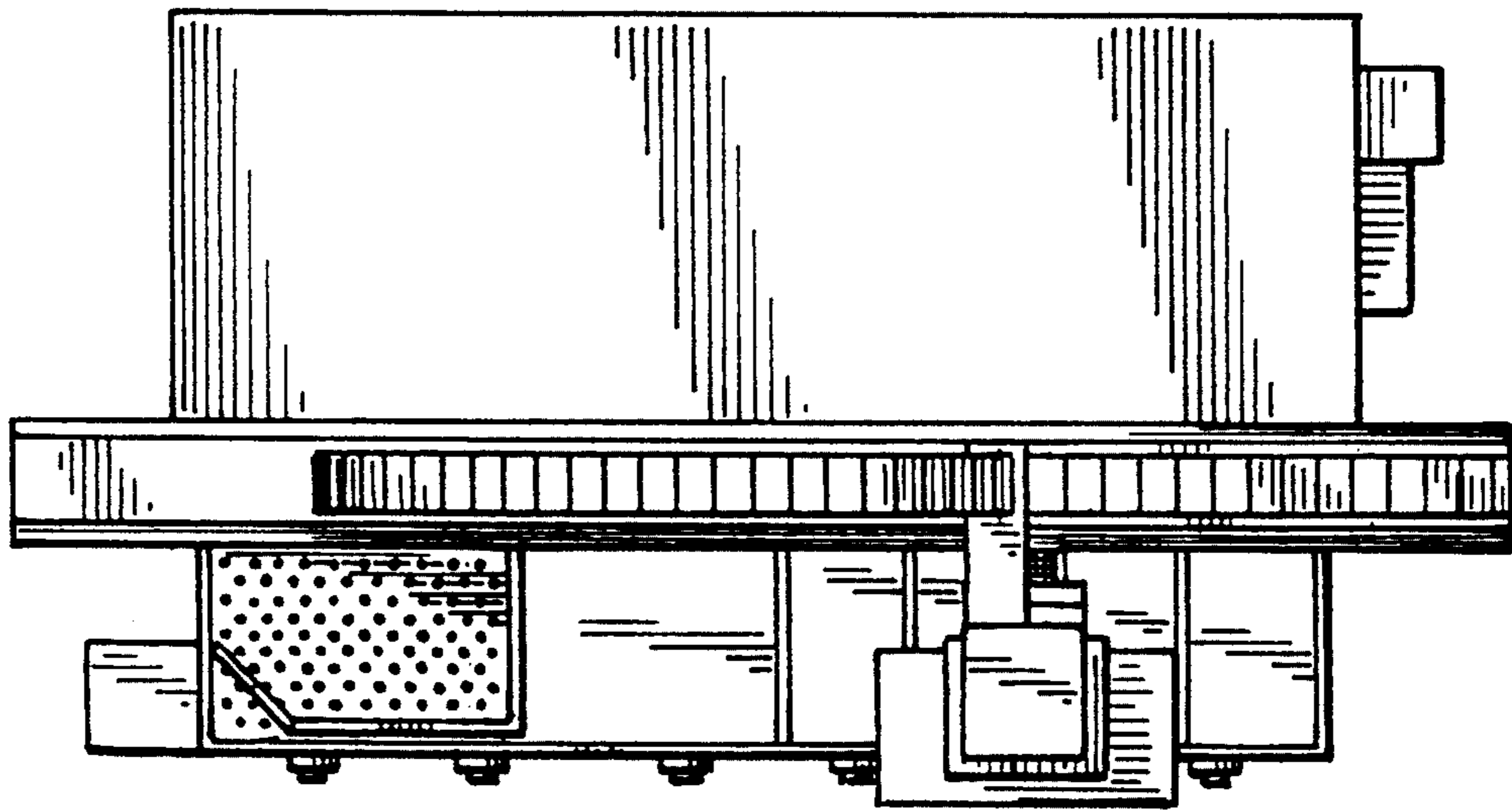


Fig. 6

