



US00D337020S

United States Patent [19]

[11] Patent Number: **Des. 337,020**

Huang

[45] Date of Patent: **** Jul. 6, 1993**

[54] THERMOS JUG

[76] Inventor: **Frank T. H. Huang**, Room 804, 8F,
No. 598, Ming Sheng E. Rd., Taipei,
Taiwan

[**] Term: **14 Years**

[21] Appl. No.: **653,460**

[22] Filed: **Feb. 11, 1991**

[52] U.S. Cl. **D7/317; D7/316;
D7/318; D7/322**

[58] Field of Search **D7/300, 300.1, 301,
D7/302, 303, 316, 317, 318, 319, 320, 321, 322,
619, 622, 312, 620; 220/758, 254, 755, 759, 278;
222/470, 471, 475.1, 472, 473; 99/295, 306, 316,
279**

[56] **References Cited**

U.S. PATENT DOCUMENTS

D. 19,256	8/1889	Jeffords	D7/322
D. 43,350	12/1912	Baron	D7/317
D. 302,093	7/1989	Palsby	D7/317
D. 312,942	12/1990	Huang	D7/303

1,195,434	8/1916	Baron	222/470
2,807,944	10/1957	Glass	222/475.1
4,094,449	9/1978	Schlegel et al.	222/475.1 X
4,619,766	10/1986	Smiley et al.	99/306 X
4,629,866	12/1986	Proctor	D7/318
5,071,016	12/1991	Bunn et al.	222/475.1 X
5,108,808	4/1992	Johnson	220/758 X

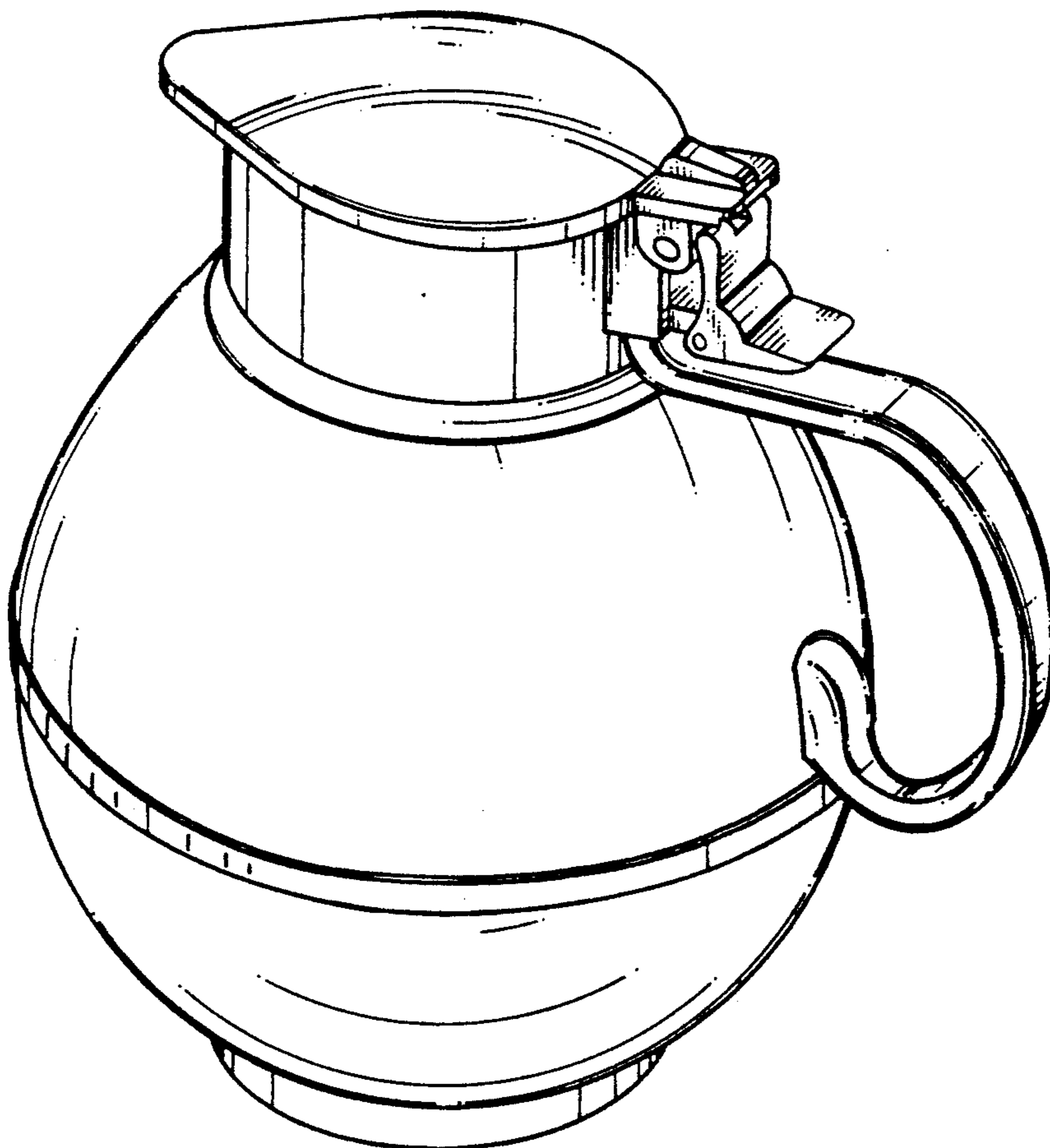
Primary Examiner—Alan P. Douglas
Assistant Examiner—M. N. Pandozzi
Attorney, Agent, or Firm—Varndell Legal Group

[57] CLAIM

The ornamental design for thermos jug, as shown and described.

DESCRIPTION

FIG. 1 is a perspective view of thermos jug showing my new design;
FIG. 2 is a right side elevational view thereof;
FIG. 3 is a front elevational view, the rear elevational view being a mirror image thereof;
FIG. 4 is a left side elevational view thereof;
FIG. 5 is a top plan view thereof; and,
FIG. 6 is a bottom plan view thereof.



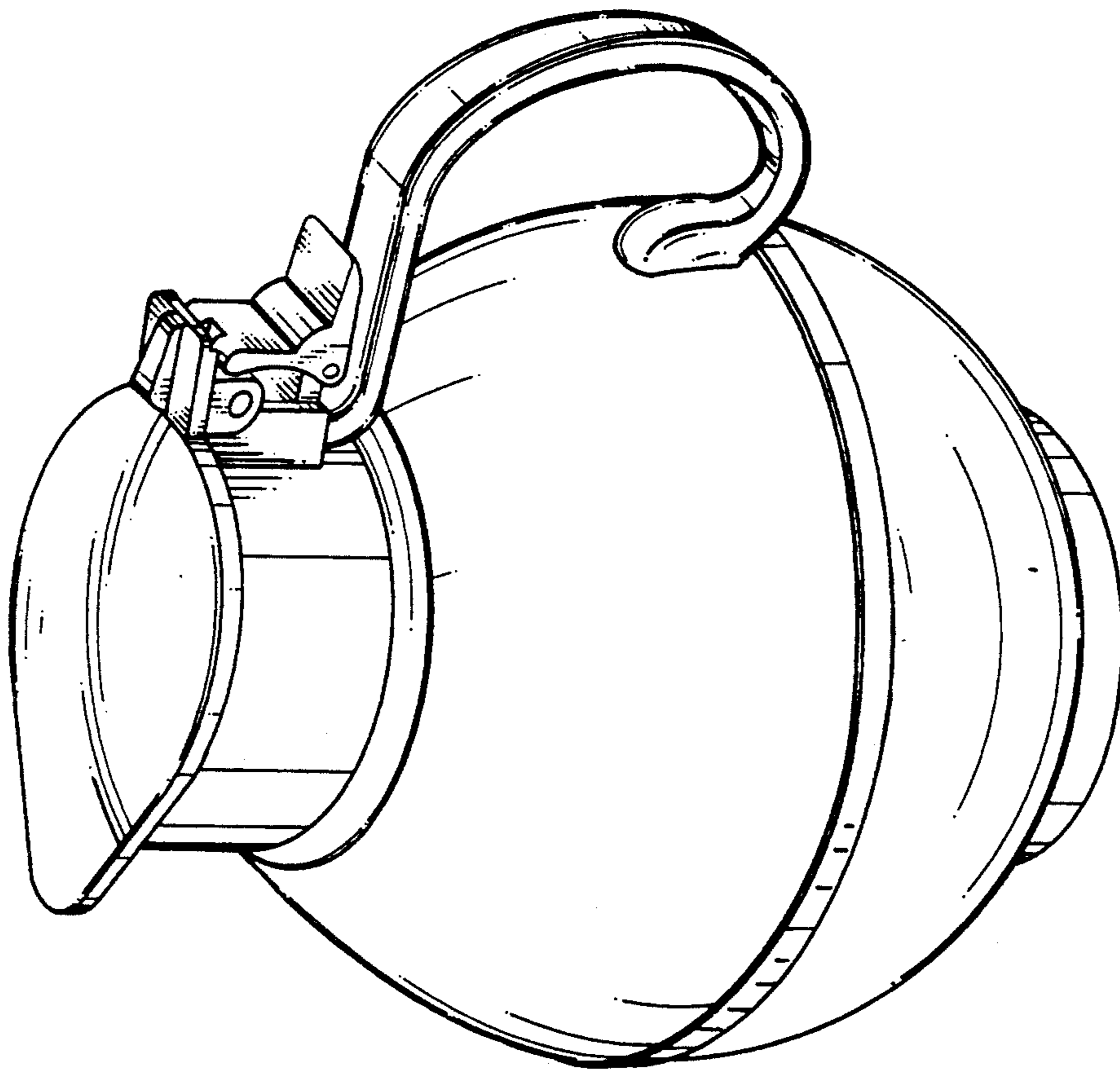


Fig. 1

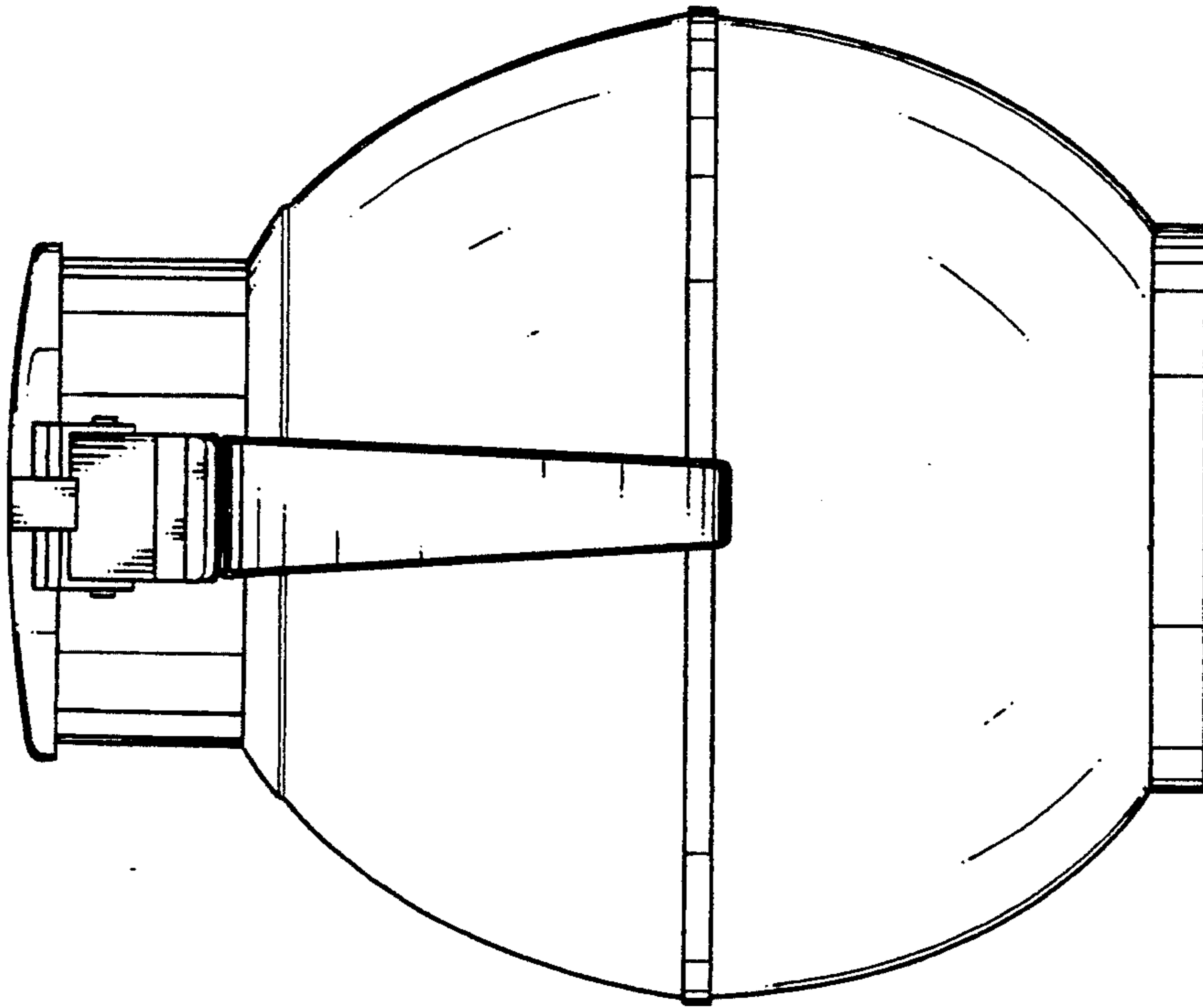


Fig. 2

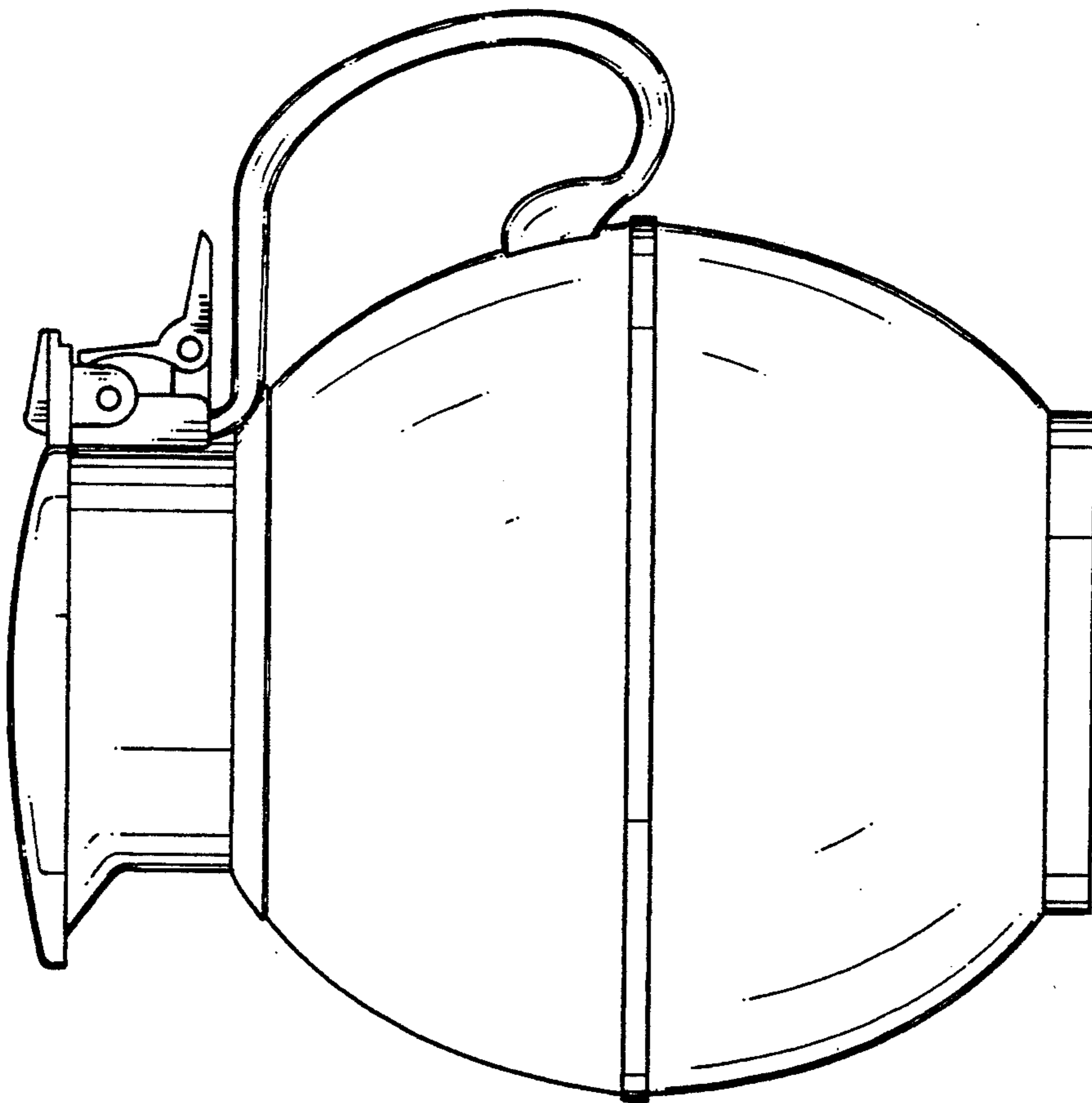


Fig. 3

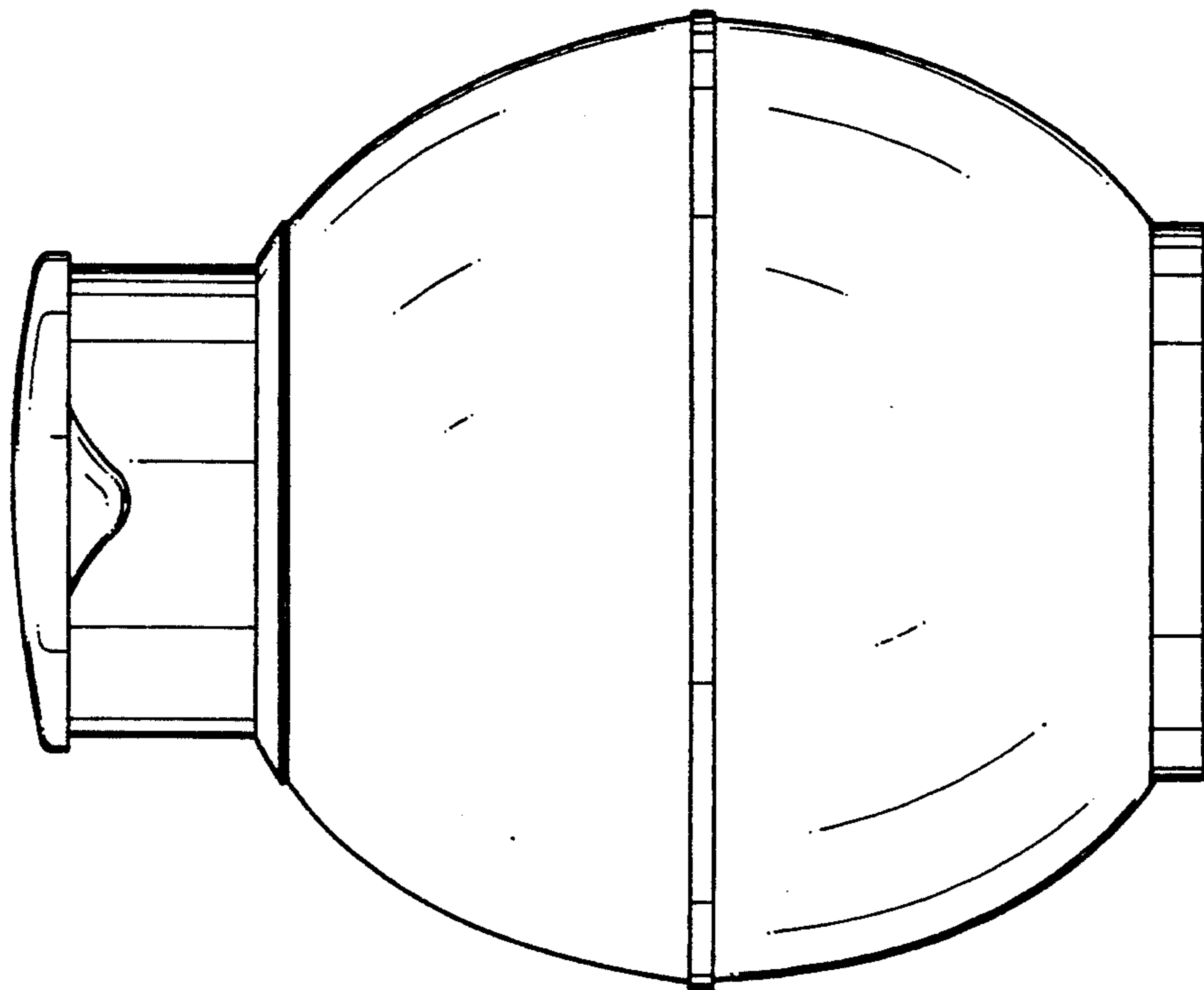


Fig. 4

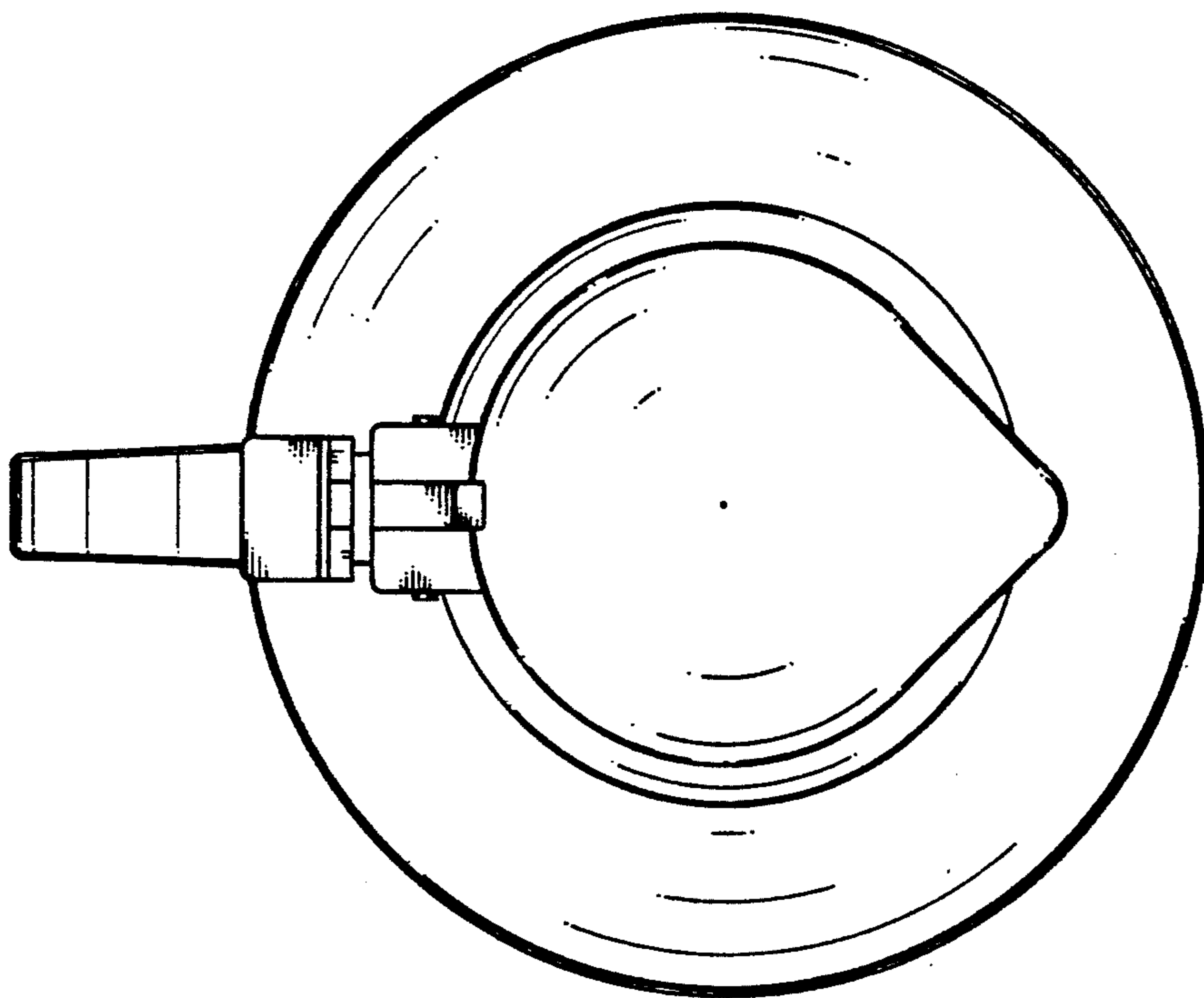


Fig. 5

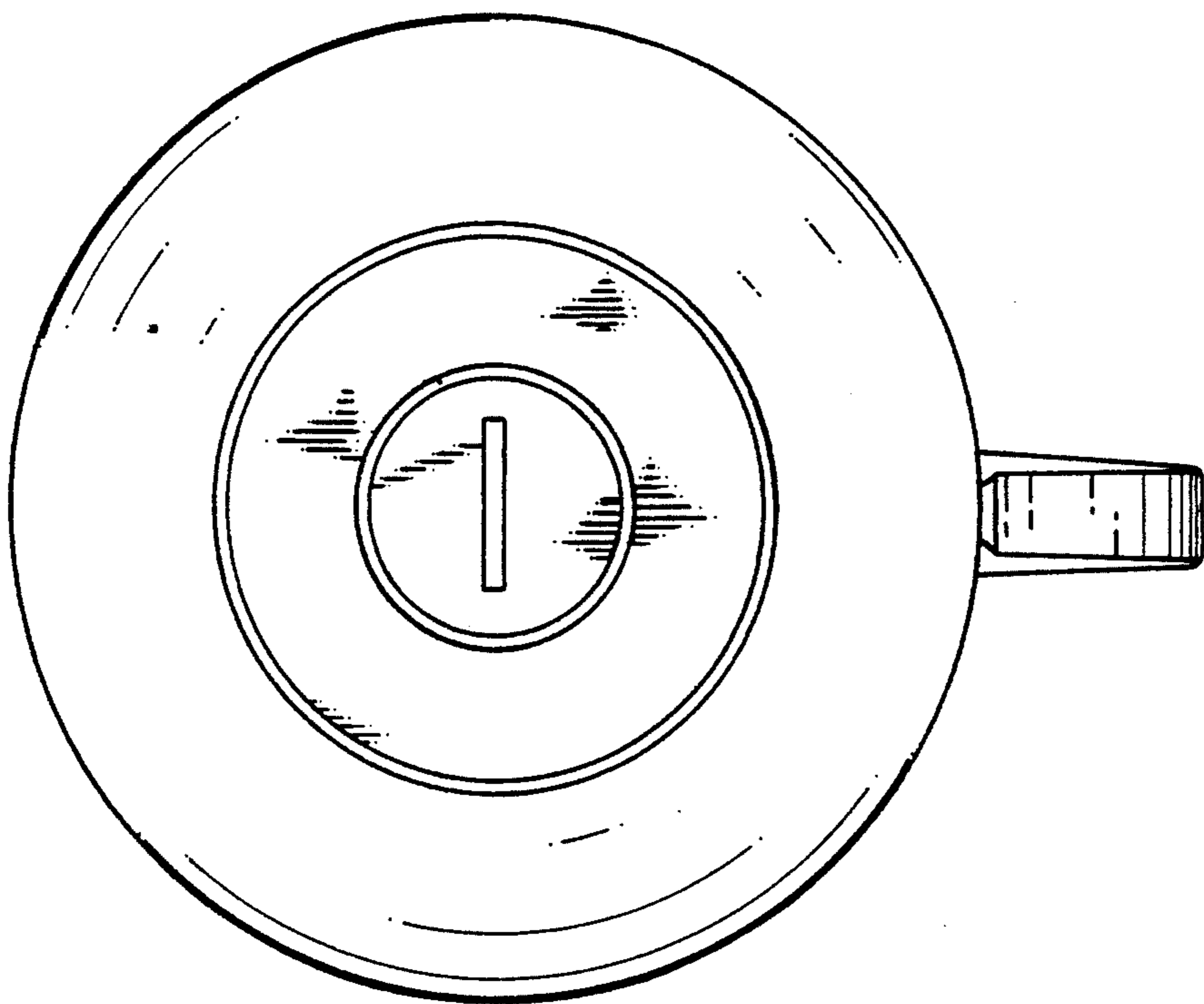


Fig. 6