



US00D337016S

United States Patent [19]

[11] Patent Number: **Des. 337,016**

Fortescue

[45] Date of Patent: **** Jul. 6, 1993**

[54] **VERTICALLY-MOUNTABLE ORGANIZER**

[76] Inventor: **Ann D. Fortescue**, 7939 Habersham La., Dallas, Tex. 75248

[**] Term: **14 Years**

[21] Appl. No.: **850,055**

[22] Filed: **Mar. 11, 1992**

[52] U.S. Cl. **D6/567; D19/77; D19/78; D19/85; D19/90; D6/573**

[58] Field of Search **D6/553, 567, 512, 569, D6/571, 573; D19/65, 75, 77, 78, 86, 81-85, 90, 91, 99, 100; 211/10, 13, 40-45, 60.1, 71, 74, 75, 86, 87, 88, 69.1-69.9, 90; 206/214, 224, 371**

[56] **References Cited**

U.S. PATENT DOCUMENTS

D. 162,153	2/1951	Gilfert	D19/78
D. 232,201	7/1974	Hoffman	D6/573
D. 267,808	2/1983	Russo	D6/573 X
D. 297,693	9/1988	Norstedt	D6/553

D. 301,101	5/1989	Meyer	D6/567
D. 307,445	4/1990	Greenhut et al.	D19/78
D. 308,148	5/1990	Meyer	D19/78 X
2,941,673	6/1960	Lomas	211/90
3,945,499	3/1976	Brownson	211/88

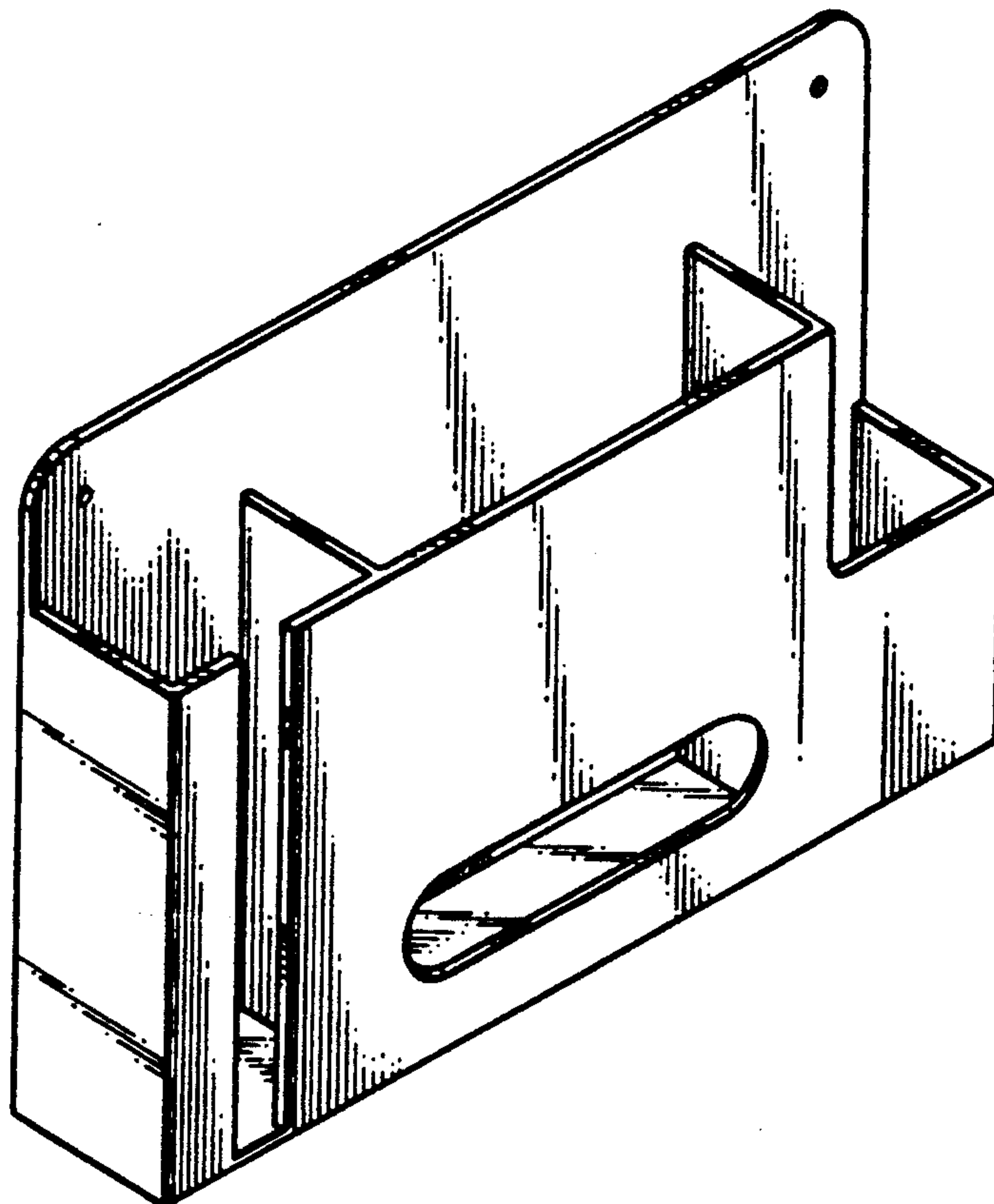
Primary Examiner—Nelson C. Holtje
Assistant Examiner—Martha Thompson
Attorney, Agent, or Firm—Andrew J. Dillon

[57] **CLAIM**

The ornamental design for a vertically-mountable organizer, as shown and described.

DESCRIPTION

FIG. 1 is a top, left front perspective view of a vertically-mountable organizer showing my new design; FIG. 2 is a top plan view; FIG. 3 is a front elevational view; FIG. 4 is a left side elevational view; FIG. 5 is a right side elevational view; FIG. 6 is a rear elevational view; and, FIG. 7 is a bottom plan view thereof.



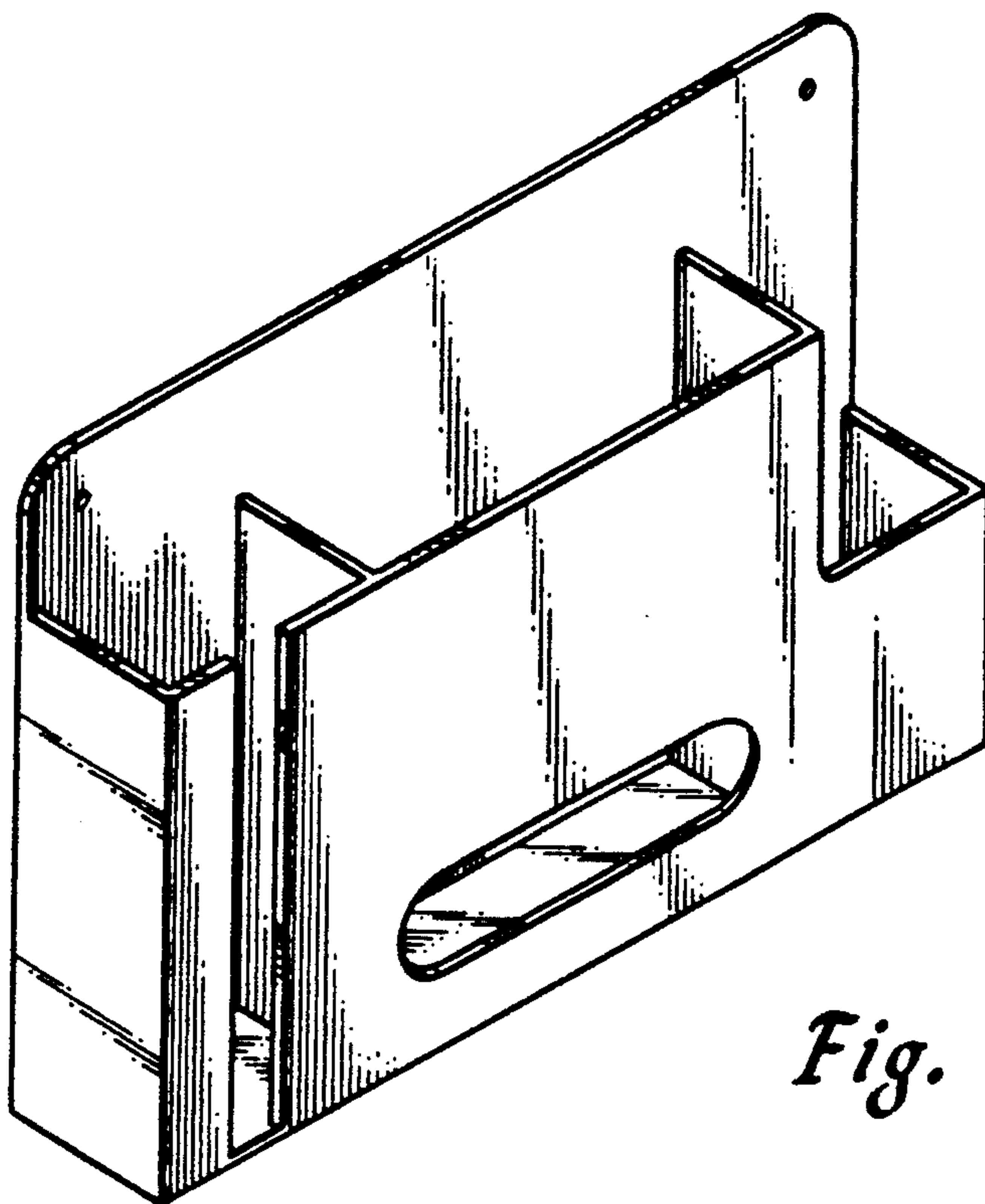


Fig. 1

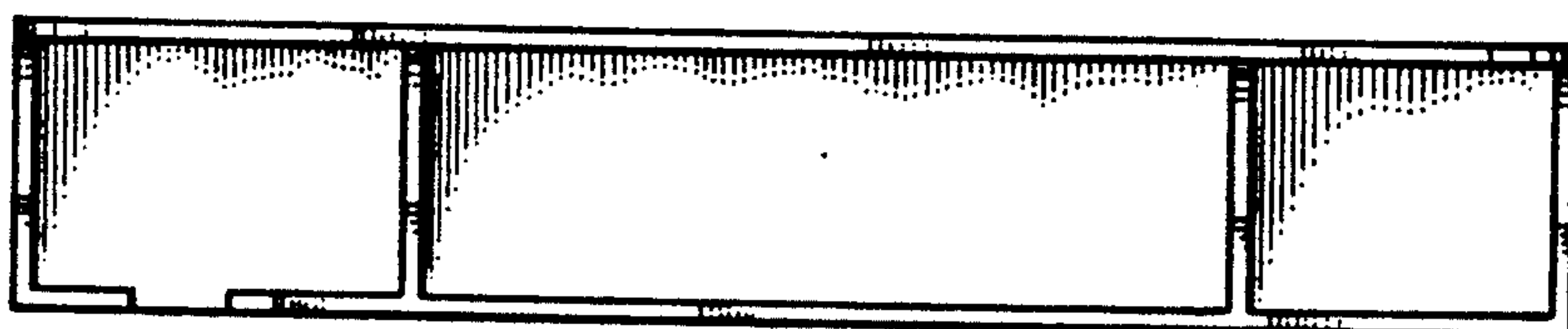


Fig. 2

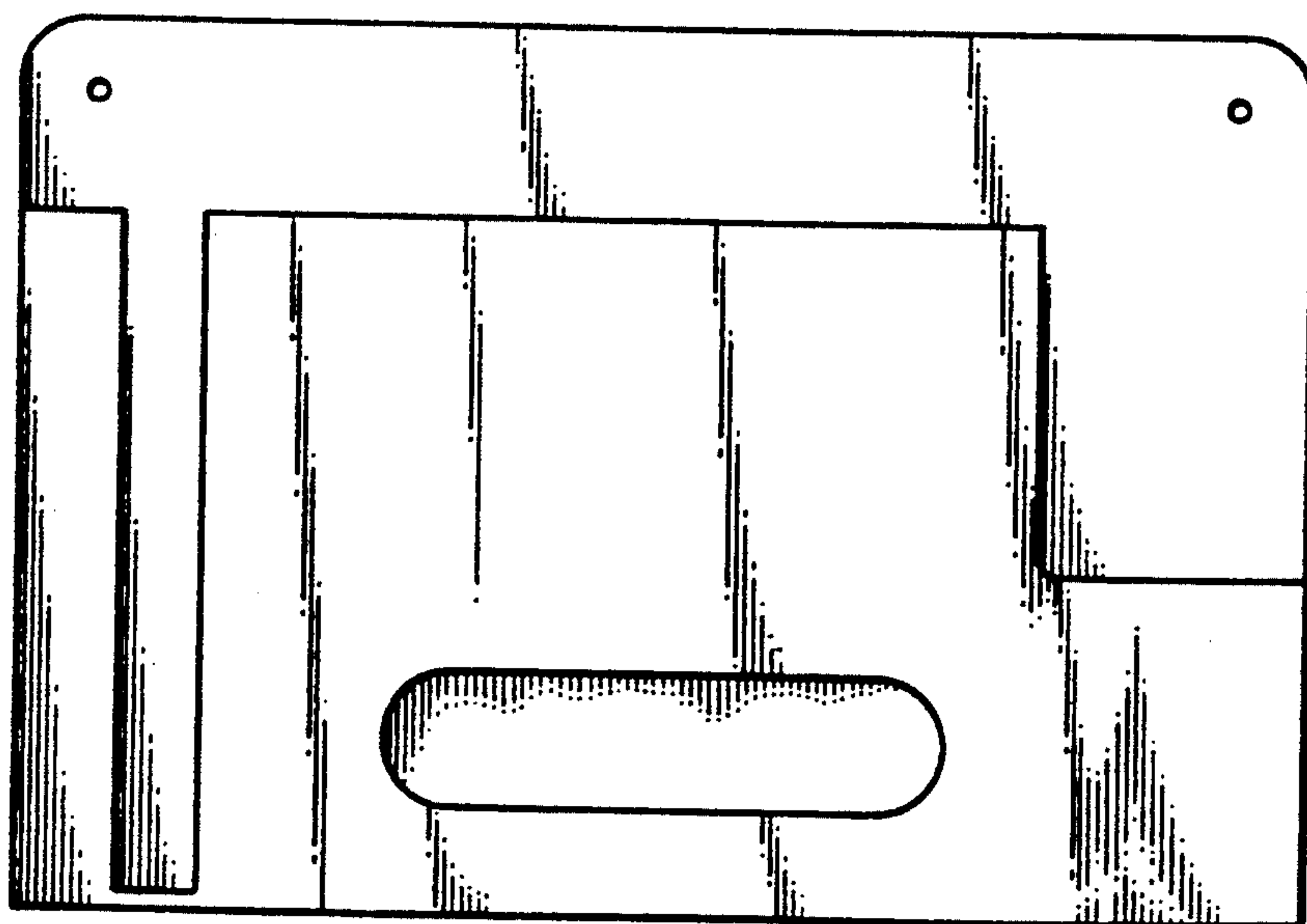


Fig. 3

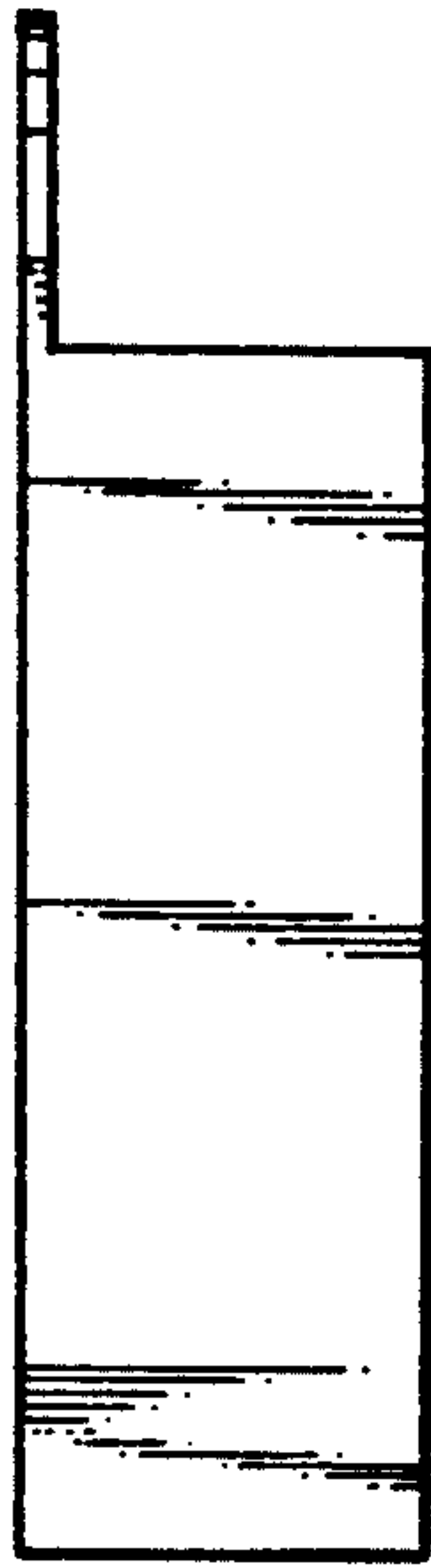


Fig. 4



Fig. 5

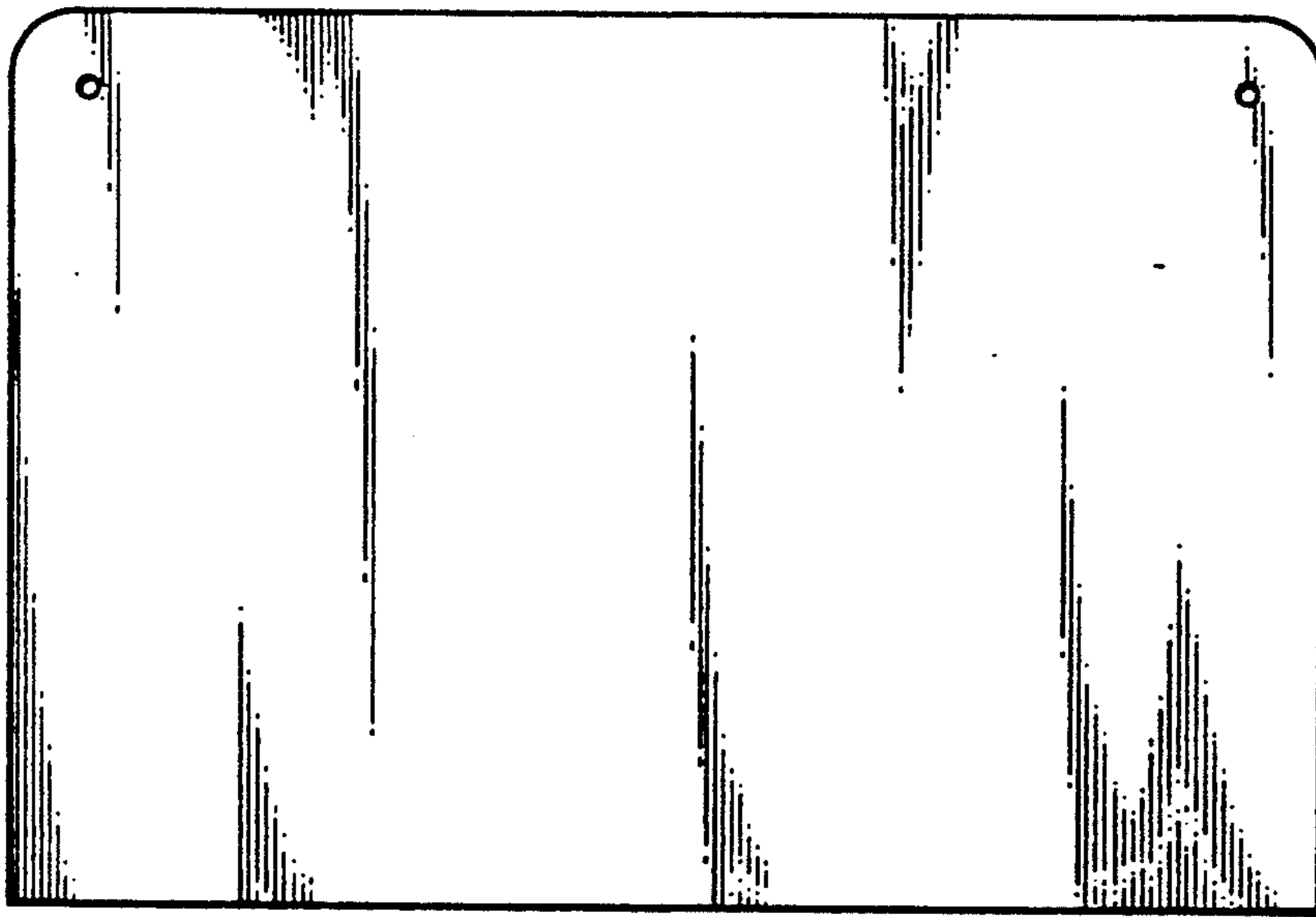


Fig. 6



Fig. 7