



US00D337014S

United States Patent [19]

Wang

[11] Patent Number: Des. 337,014

[45] Date of Patent: ** Jul. 6, 1993

[54] BATHWARE SUPPORT BRACKET

[76] Inventor: Wen-Mu Wang, No. 32, Lane 266, Fu Te I Rd., Hsi Tze Chen, Taipei Hsien, Taiwan

[**] Term: 14 Years

[21] Appl. No.: 738,936

[22] Filed: Jul. 31, 1991

[52] U.S. Cl. D6/550; D6/574

[58] Field of Search D6/524, 534-535, D6/546-550; 211/13, 86-88, 105.1, 123, 126, 182-183; 248/200, 231.91, 251

[56] **References Cited**

U.S. PATENT DOCUMENTS

- D. 298,895 12/1988 Sharpe D6/524
- D. 299,095 12/1988 Gresens et al. D6/524

- D. 317,692 6/1991 Wang D6/524 X
- 1,097,496 5/1914 Woodhed 248/231.91
- 1,177,232 3/1916 Chisholm D6/524 X
- 1,272,899 7/1918 Berko D6/524 X

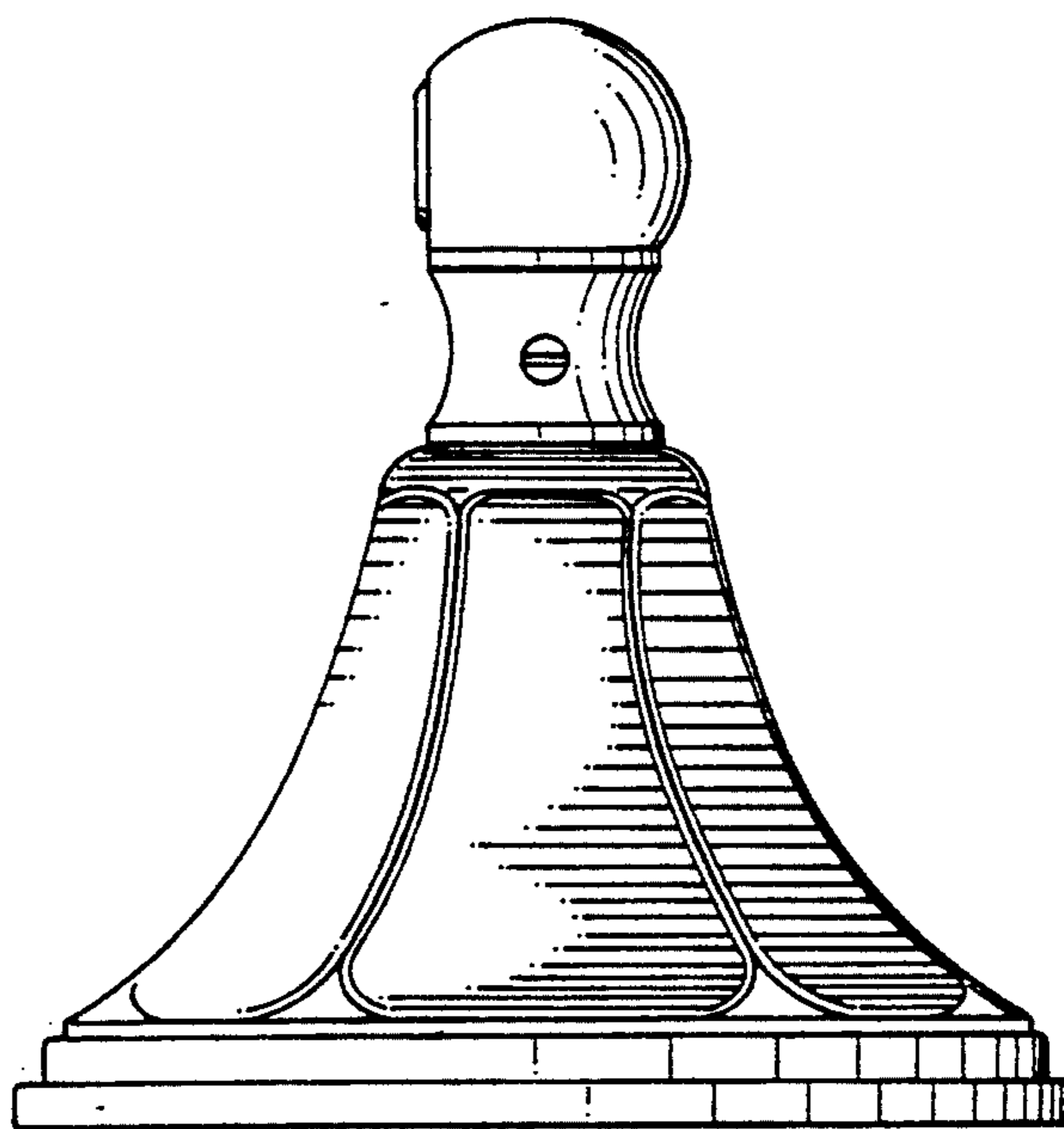
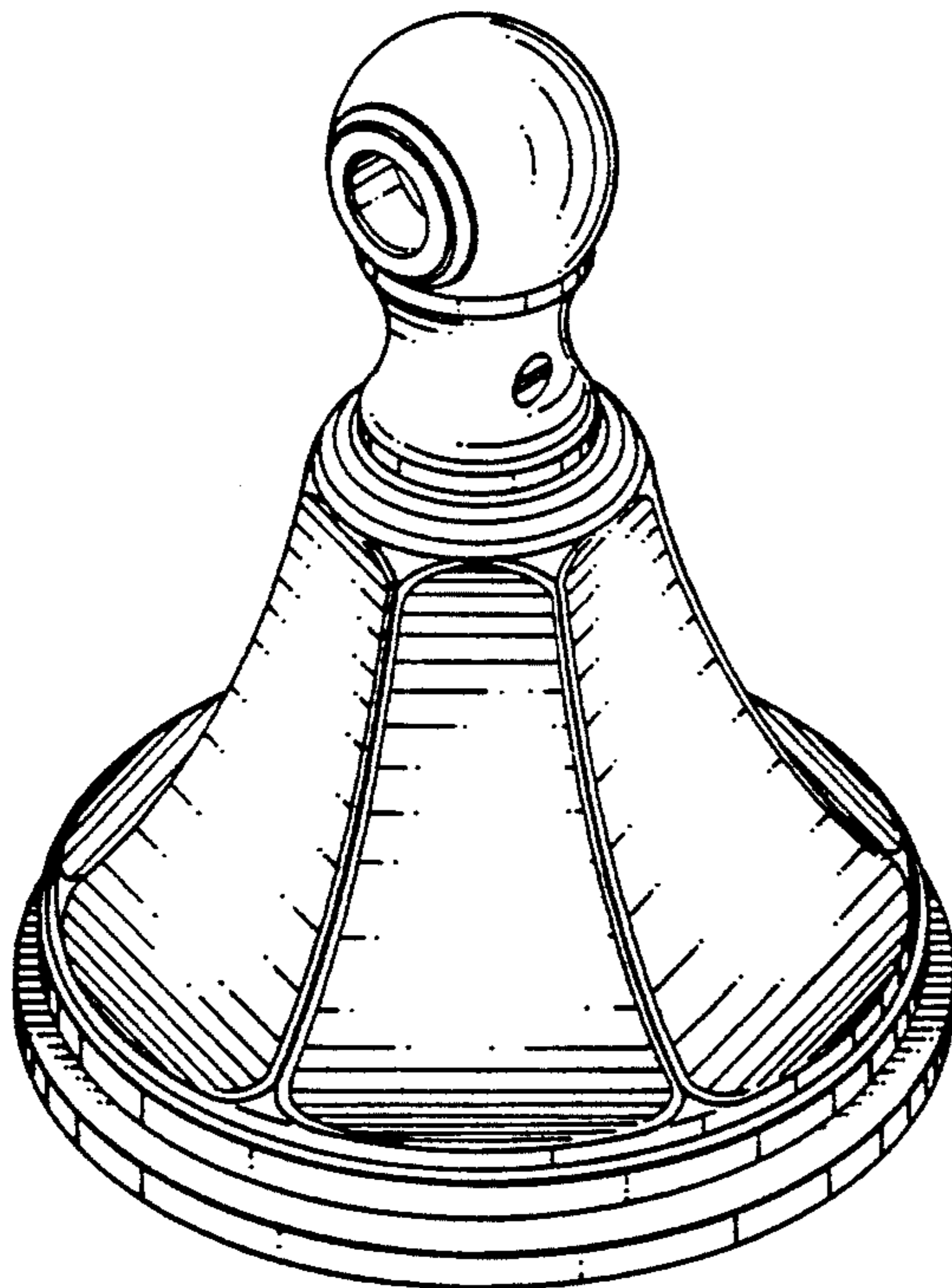
Primary Examiner—Brian N. Vinson
Attorney, Agent, or Firm—Varndell Legal Group

[57] **CLAIM**

The ornamental design for bathware support bracket, as shown and described.

DESCRIPTION

FIG. 1 is a perspective view of a bathware support bracket showing my new design;
 FIG. 2 is a front elevational view thereof;
 FIG. 3 is a top plan view thereof;
 FIG. 4 is a bottom plan view thereof;
 FIG. 5 is a left side elevation thereof;
 FIG. 6 is a right side elevation thereof; and,
 FIG. 7 is a elevational rear view thereof.



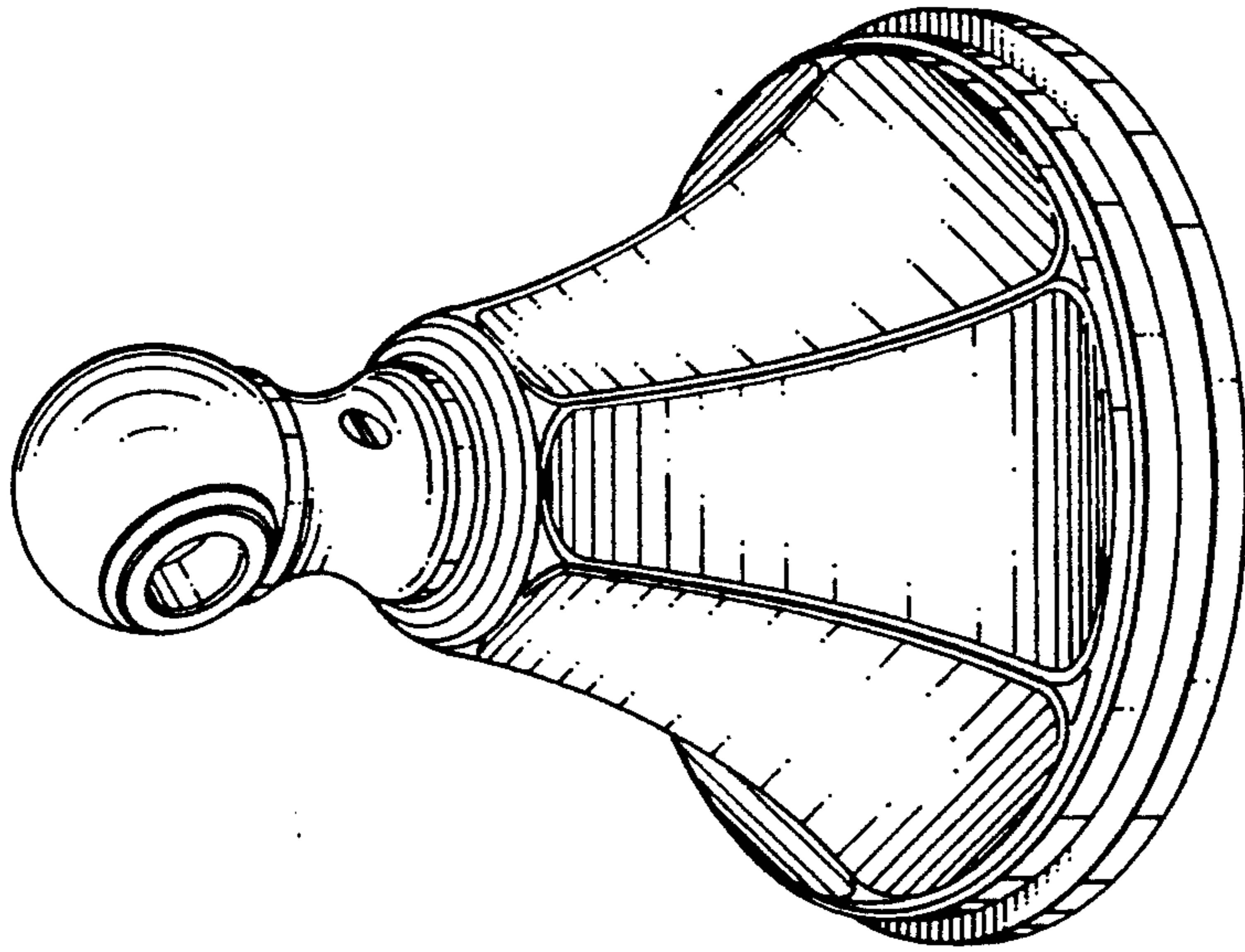


Fig . 1

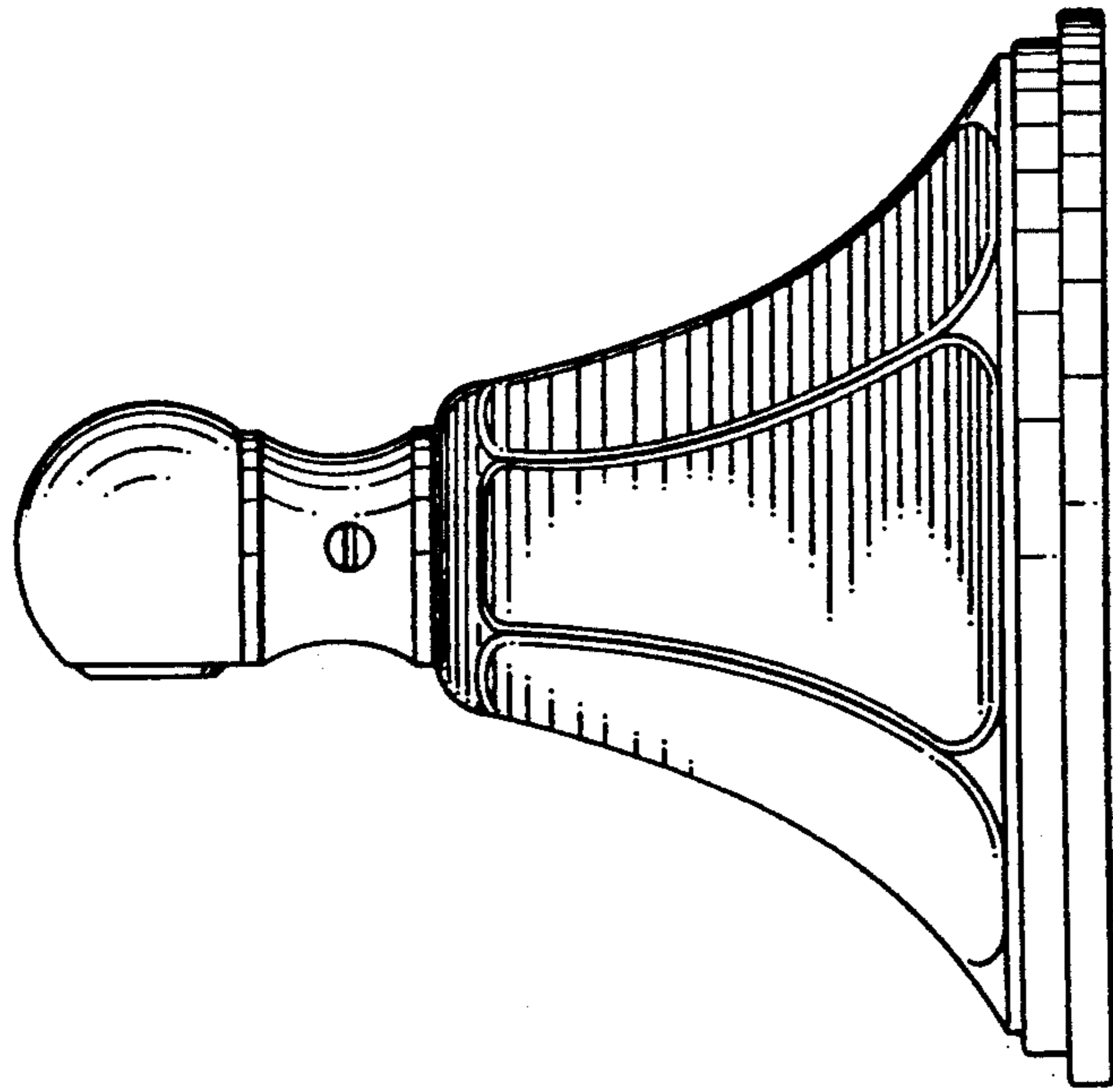


Fig . 2

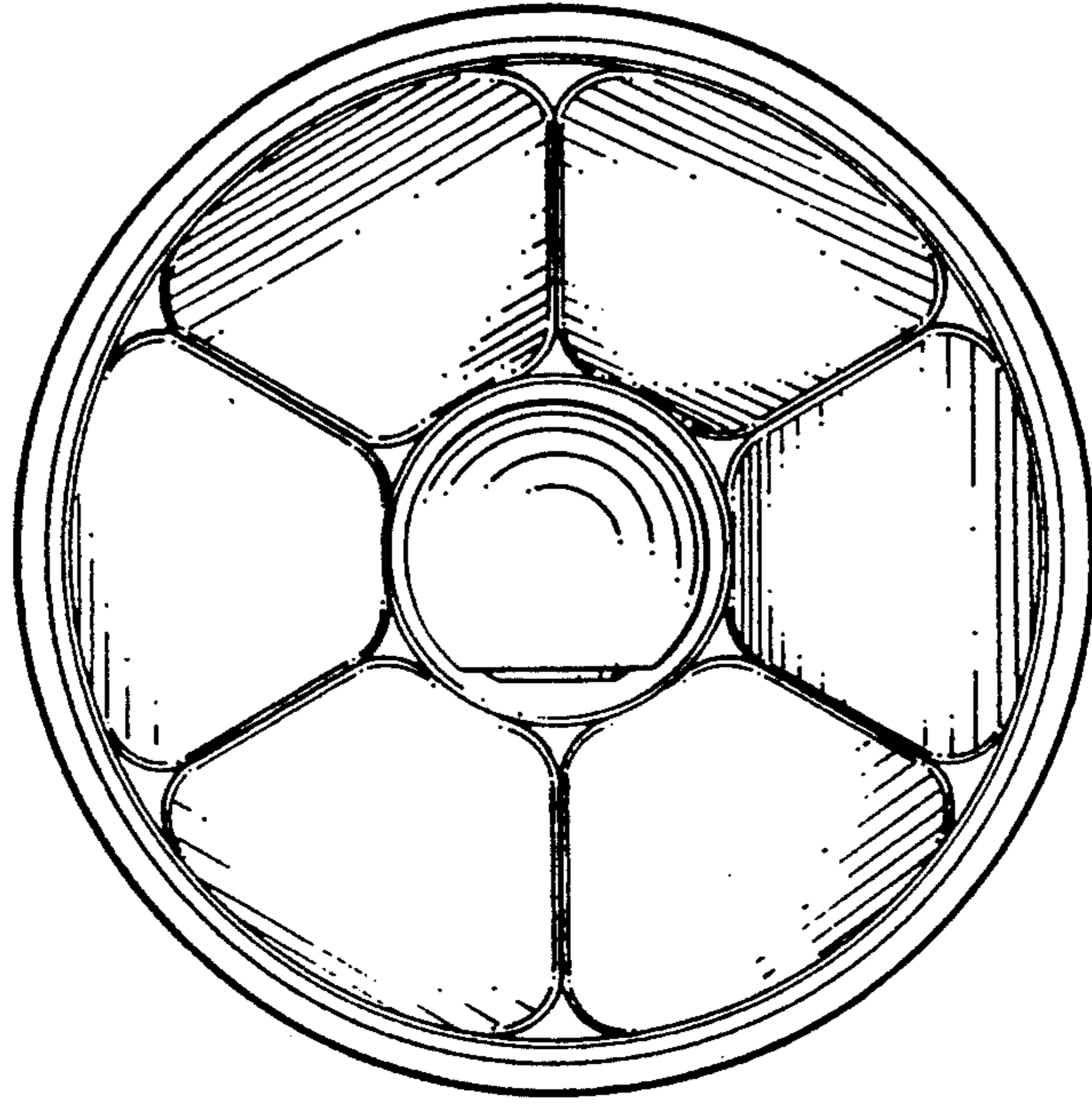


Fig . 3

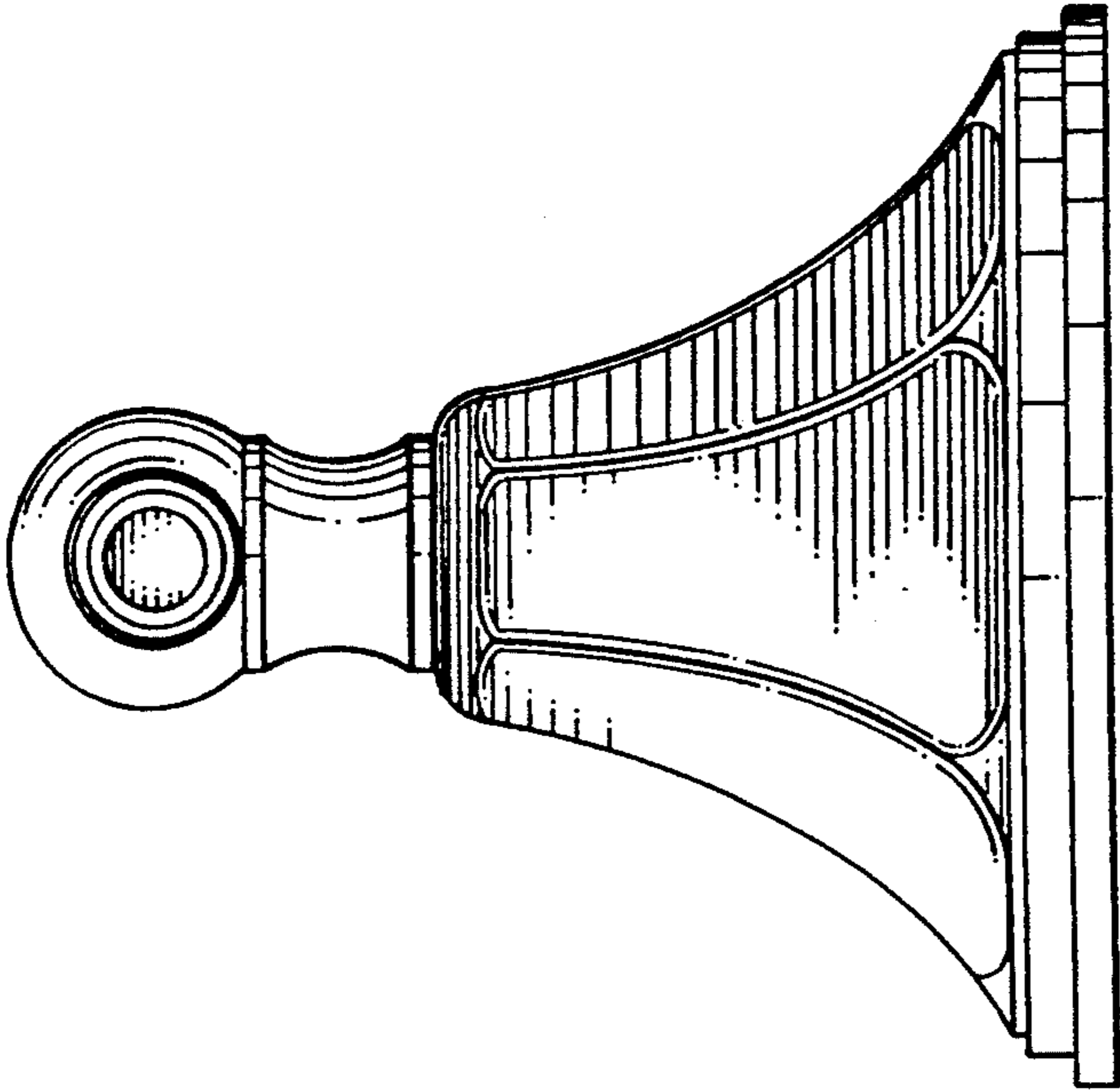


Fig . 5

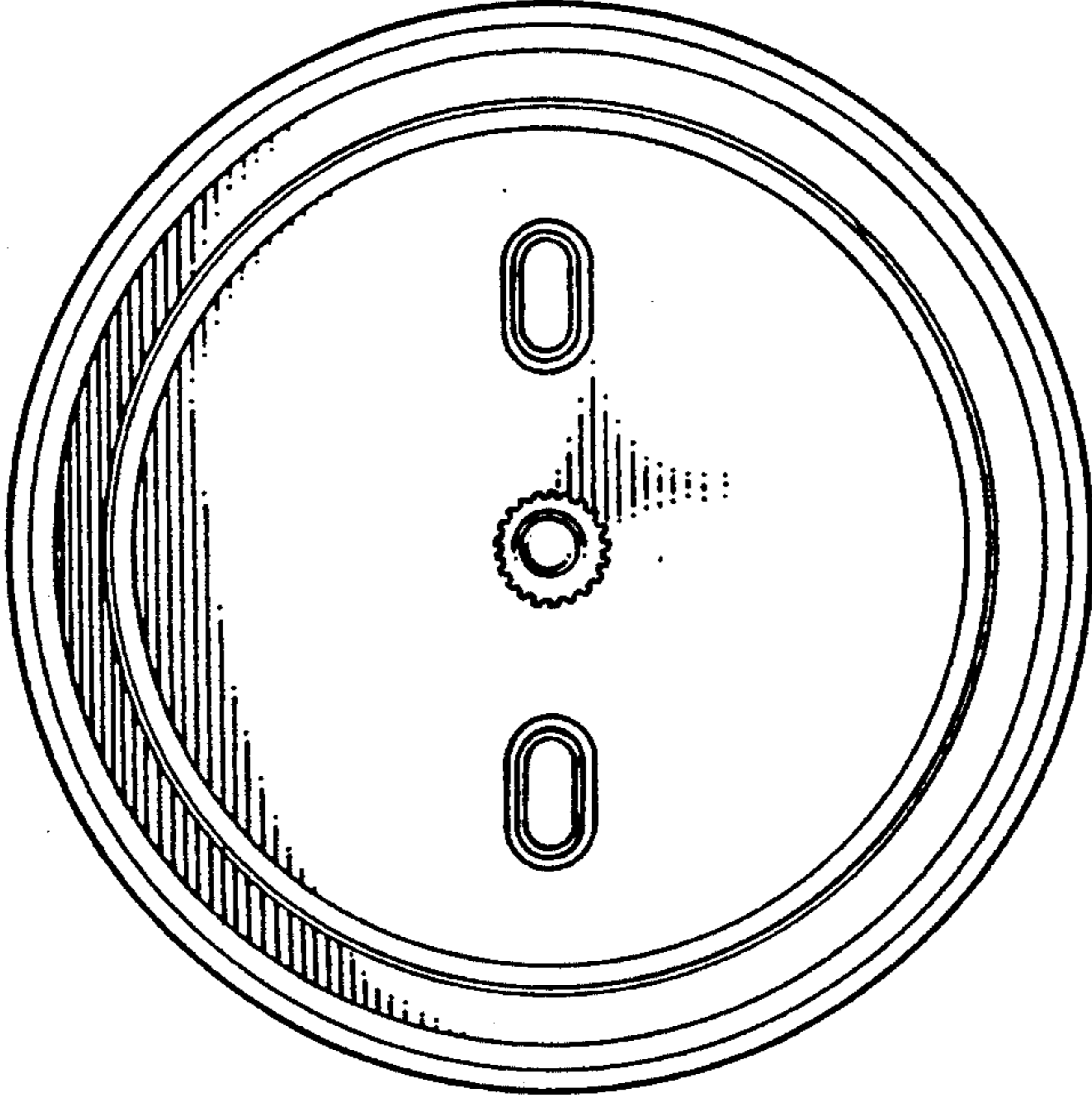


Fig . 4

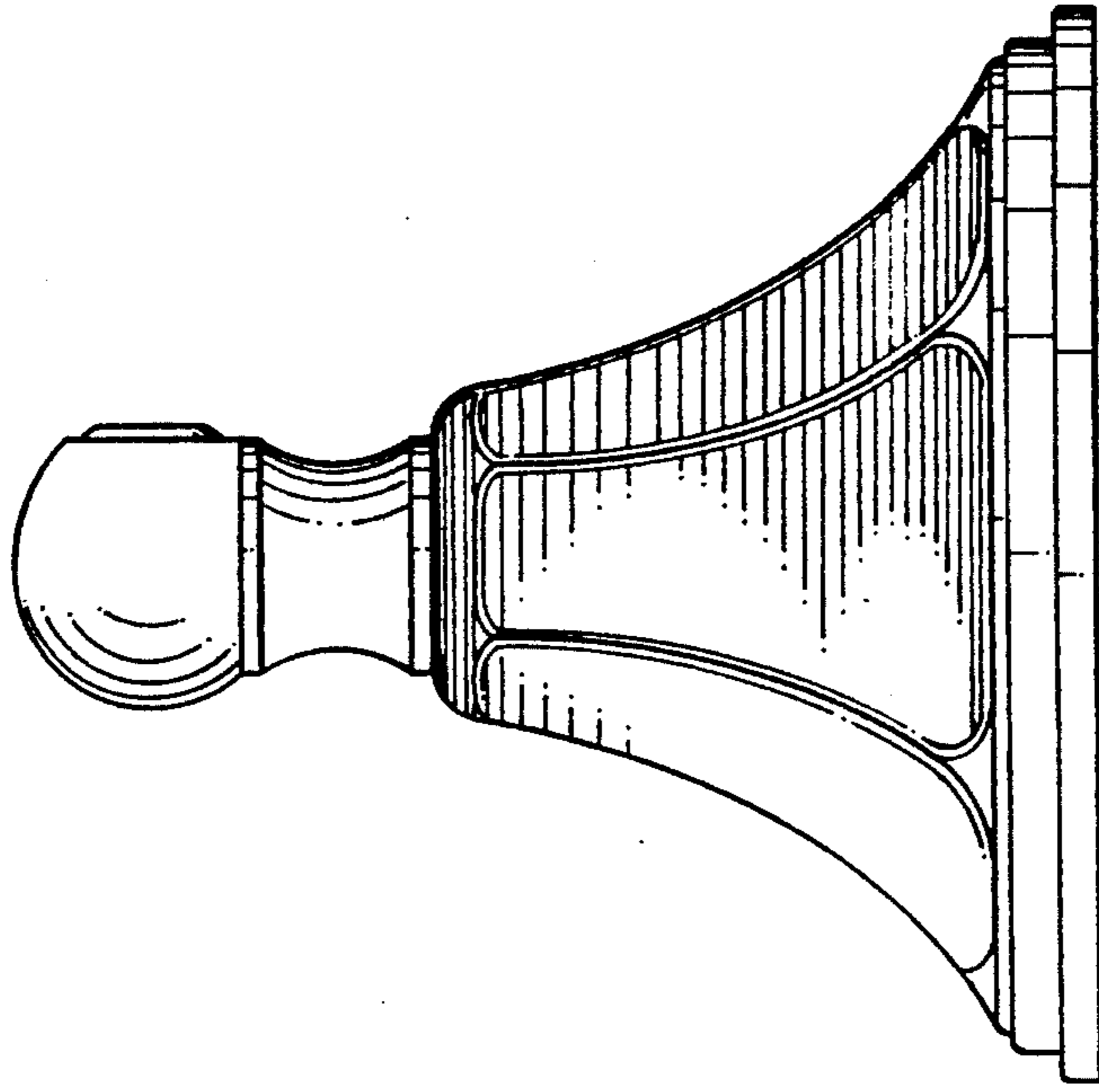


Fig . 7

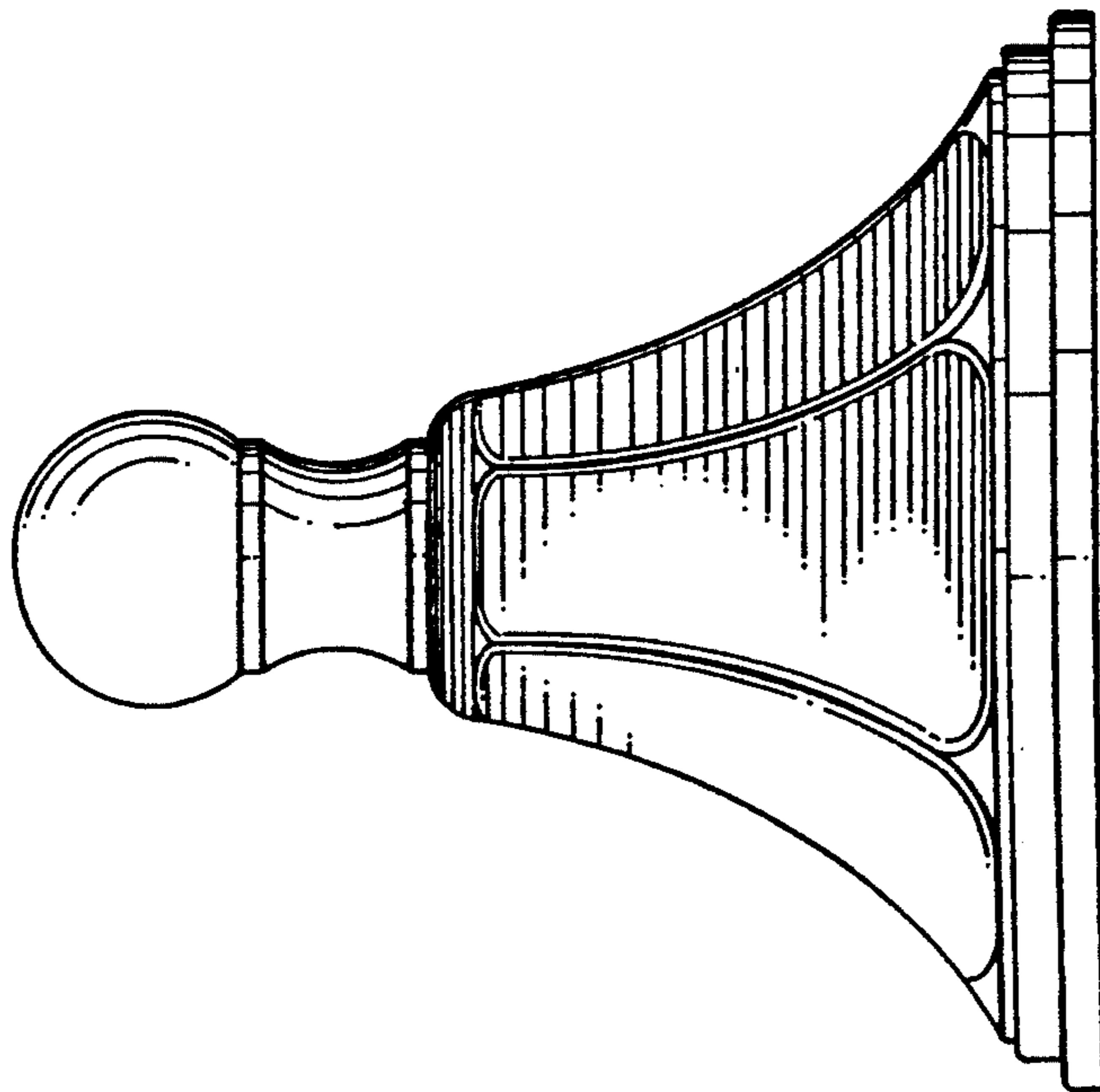


Fig . 6