



US00D337012S

# United States Patent [19]

[11] Patent Number: **Des. 337,012**

Nordyk

[45] Date of Patent: **\*\* Jul. 6, 1993**

[54] **COMBINED MATCH DISPENSER AND NOVELTY ITEM**

[76] Inventor: **John A. Nordyk, 78 Avenue D, Lodi, N.J. 07644**

[\*\*] Term: **14 Years**

[21] Appl. No.: **570,709**

[22] Filed: **Aug. 22, 1990**

[52] U.S. Cl. .... **D6/515; D11/133; D26/47**

[58] Field of Search ..... **D11/131, 133, 157; D26/37-38, 47, 46; D27/172, 178; 272/27 N; 428/542.2; 206/102, 104, 121-122**

[56] **References Cited**

### U.S. PATENT DOCUMENTS

D. 21,991 11/1892 Nicholas ..... D27/178 X  
D. 200,521 3/1965 Jepson ..... D26/46 X

D. 263,508 3/1982 Hubachek ..... D26/47  
D. 321,672 11/1991 Armstrong ..... D11/131 X  
344,370 6/1886 Greth ..... 206/102  
368,471 8/1887 Hargaves ..... 206/102  
1,137,642 4/1915 Lingner ..... 206/121  
2,570,838 10/1951 Nathan et al. .... D26/47 X

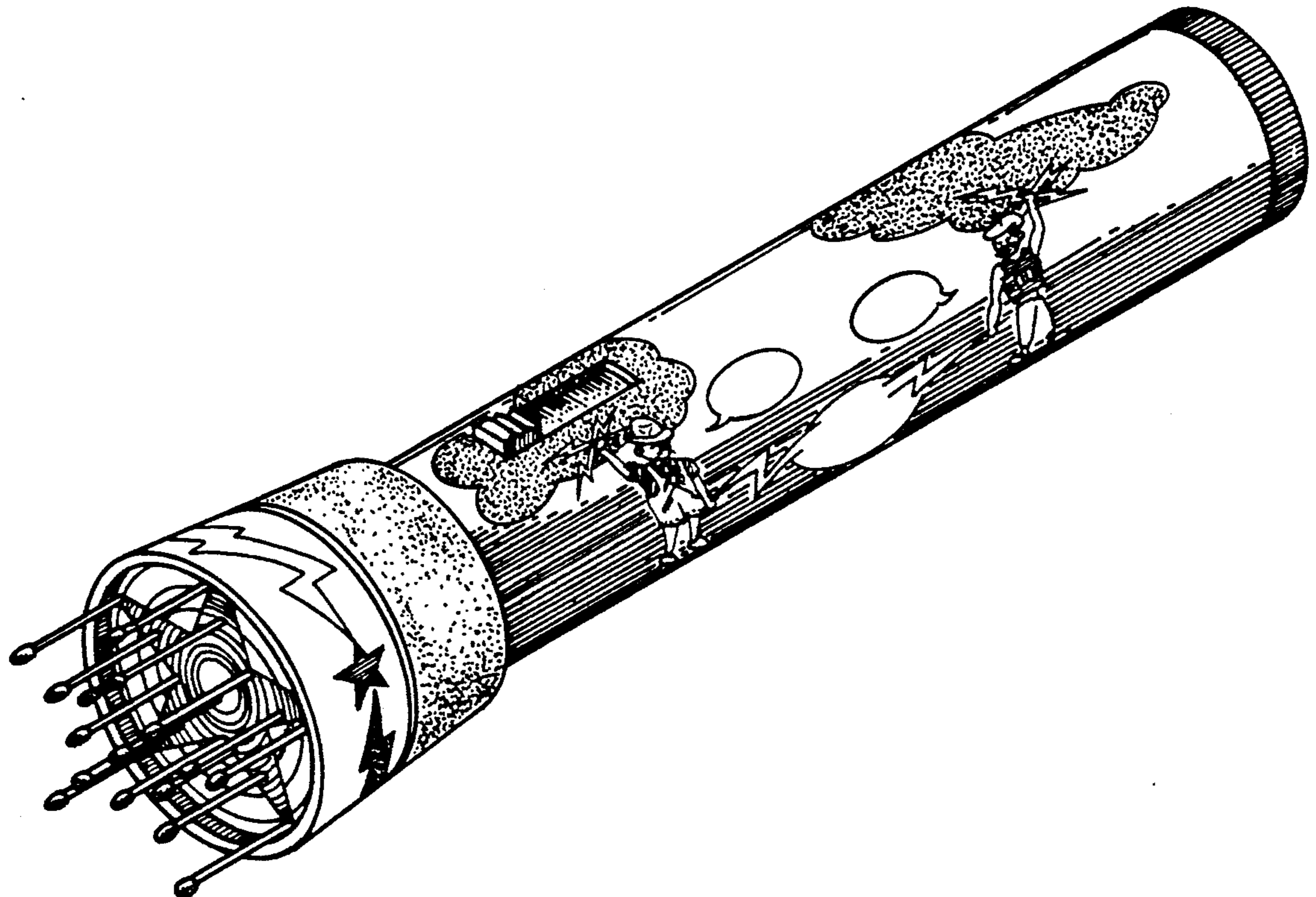
*Primary Examiner*—Brian N. Vinson  
*Attorney, Agent, or Firm*—Terry M. Gernstein

### [57] CLAIM

The ornamental design for a combined match dispenser and novelty item, as shown and described.

### DESCRIPTION

FIG. 1 is a top perspective view of the combined match dispenser and novelty item embodying the design of the present invention;  
FIG. 2 is a front end elevational view thereof;  
FIG. 3 is a rear end elevational view thereof;  
FIG. 4 is a side elevational view thereof; and,  
FIG. 5 is a side elevational view thereof.



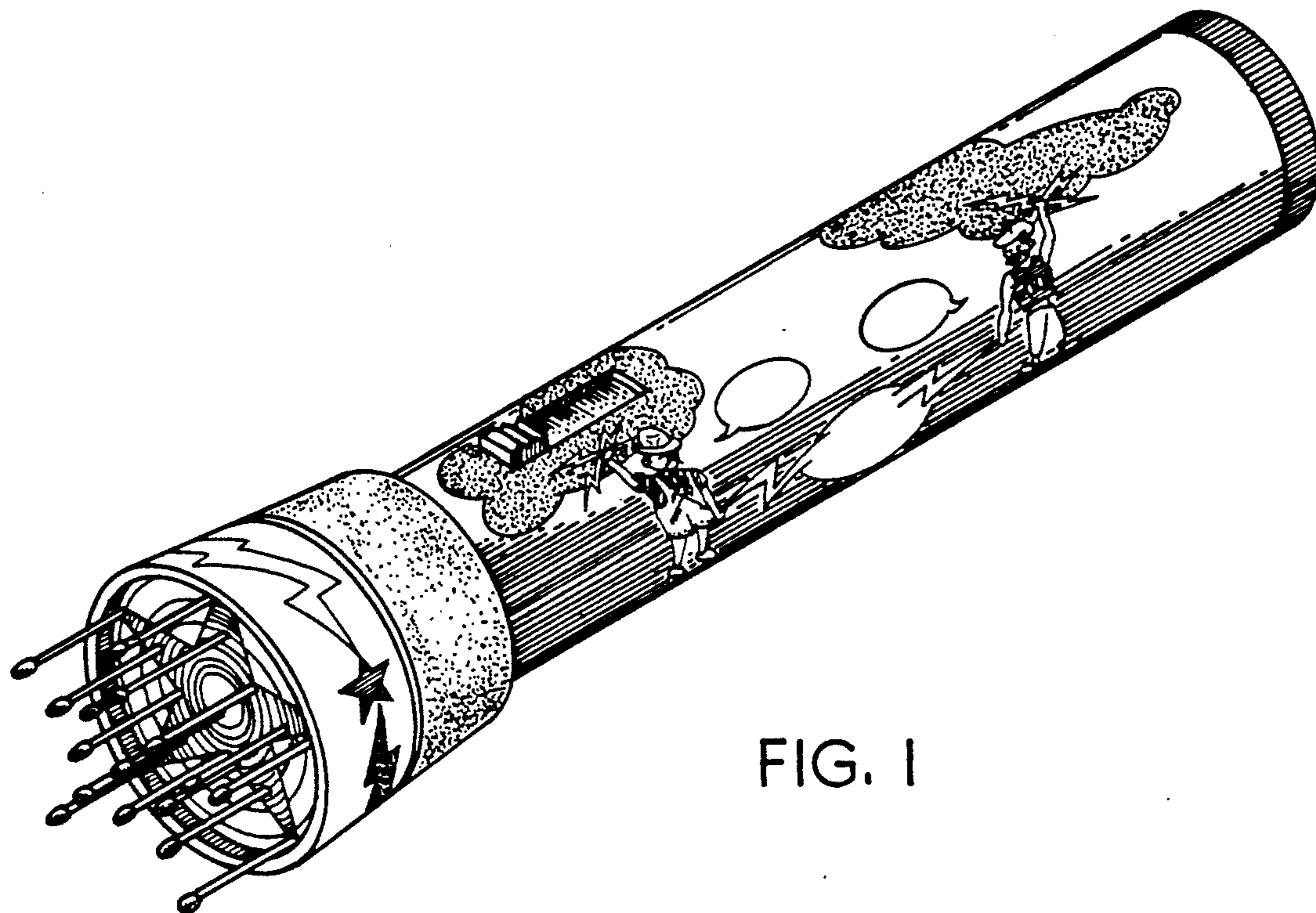


FIG. 1

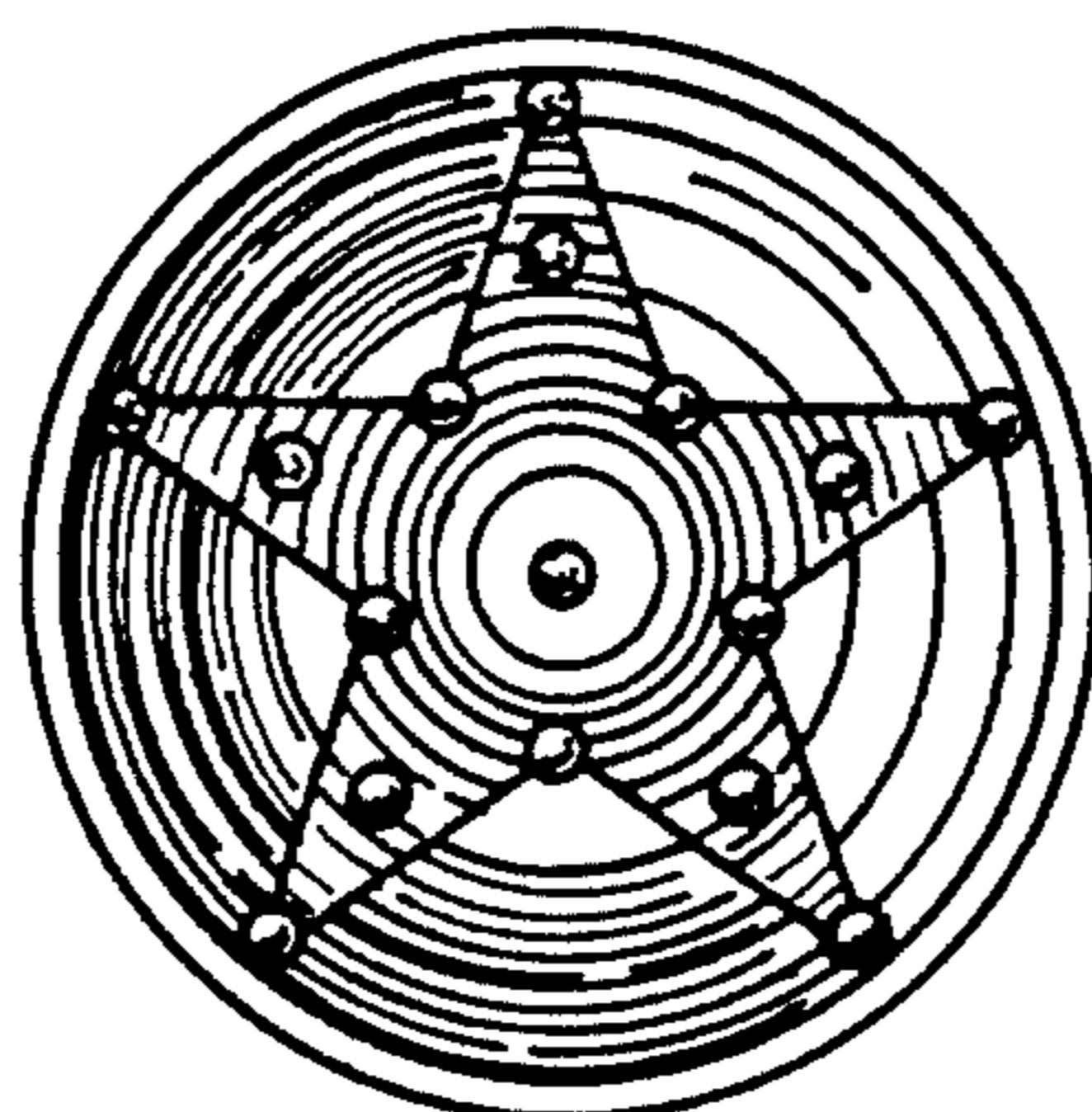


FIG. 2

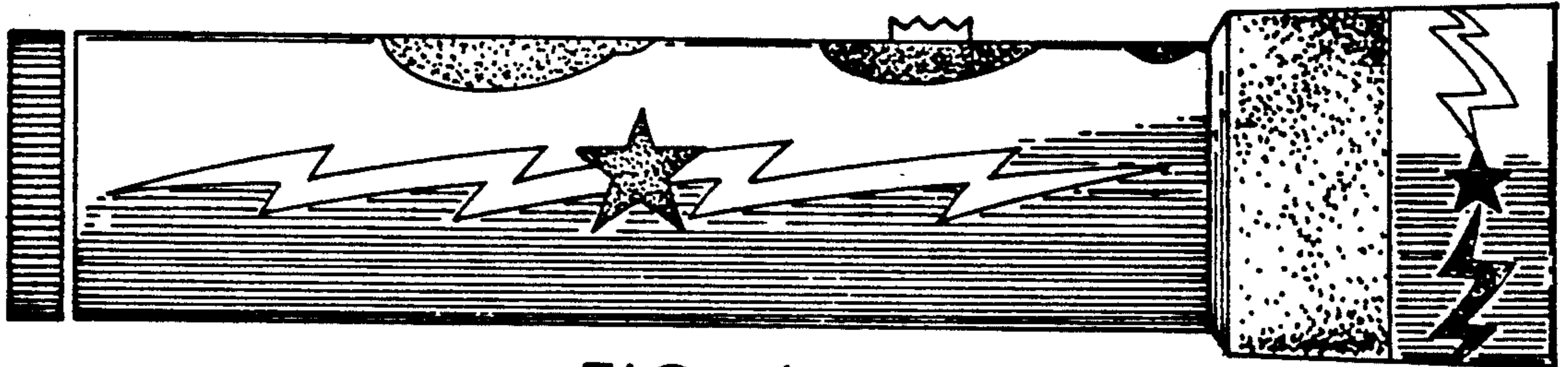


FIG. 4

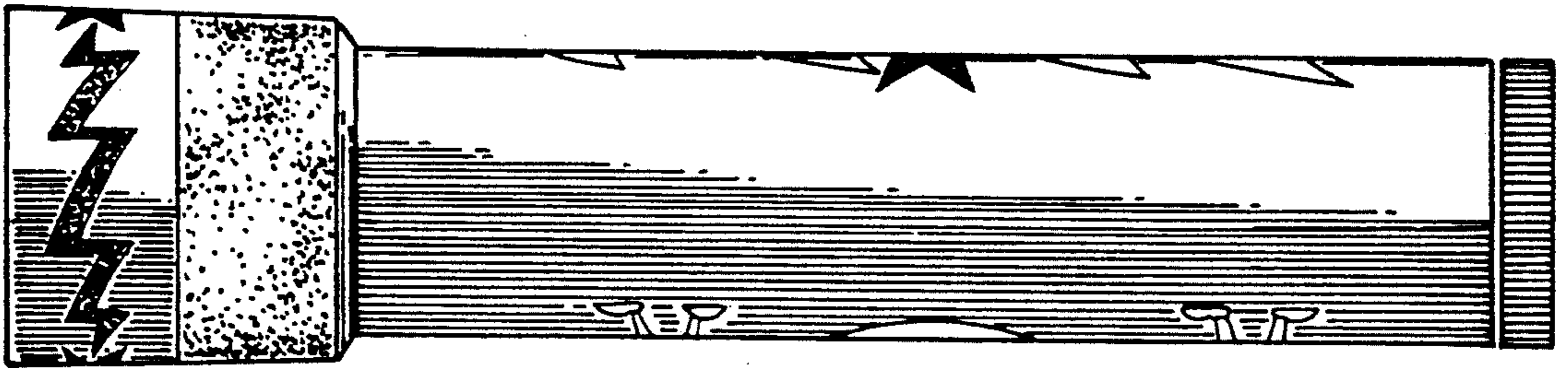


FIG. 5

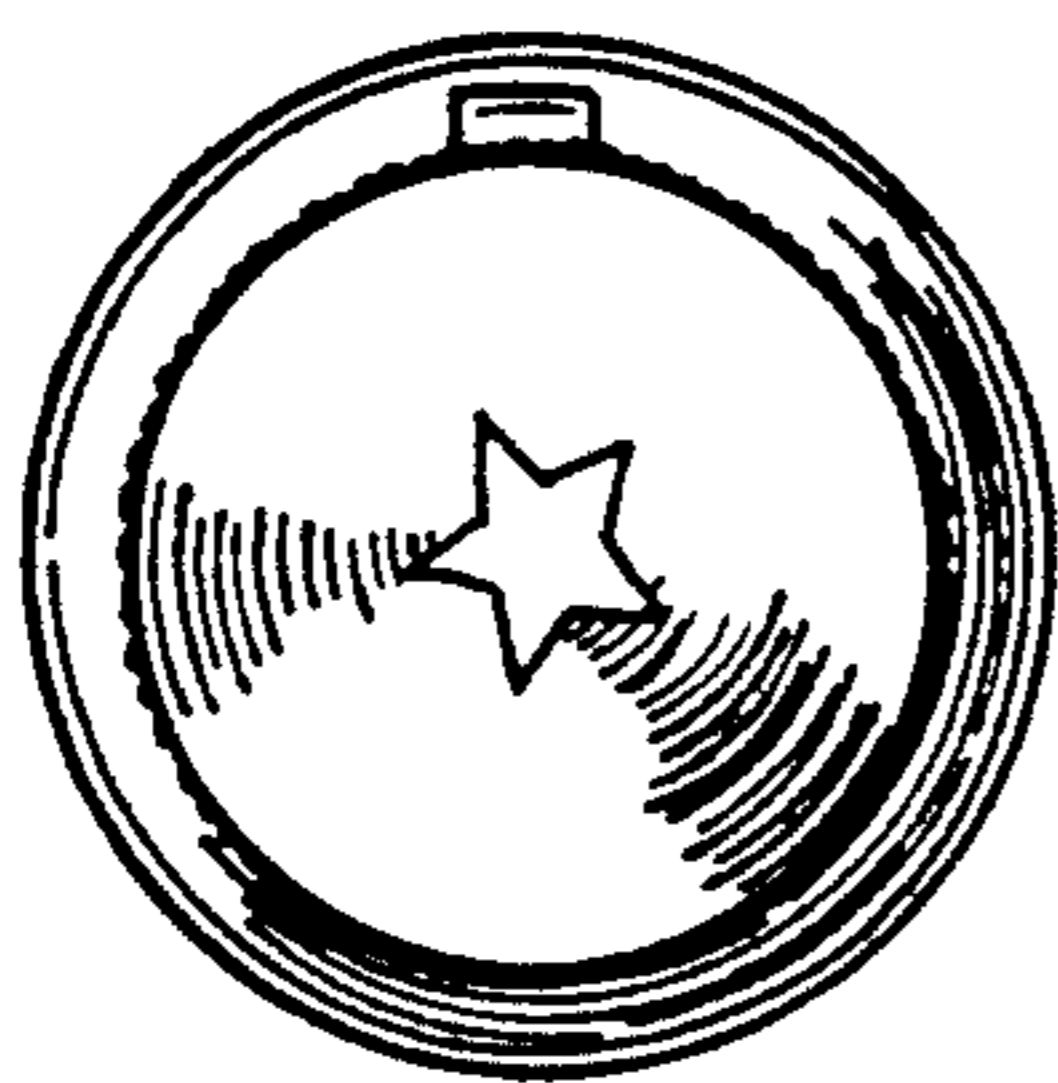


FIG. 3