



US00D337011S

United States Patent [19]

[11] Patent Number: **Des. 337,011**

Duffy, Jr. et al.

[45] Date of Patent: **** Jul. 6, 1993**

[54] **CONTAINER FOR RECYCLING PAPER**

[75] Inventors: **George E. Duffy, Jr., Fayetteville;**
Doris H. Courgi, DeWitt, both of
N.Y.

[73] Assignee: **U.S. Philips Corporation, New York,**
N.Y.

[**] Term: **14 Years**

[21] Appl. No.: **610,593**

[22] Filed: **Nov. 8, 1990**

[52] U.S. Cl. **D6/513**

[58] Field of Search **D6/512-513,**
D6/552-553, 570, 567, 574; D19/75, 86, 90;
211/10-13, 44-45, 48, 86, 113; D8/373;
D3/100

[56] **References Cited**

U.S. PATENT DOCUMENTS

D. 159,022 6/1950 Watkins D6/574

D. 201,984 8/1965 Hervey D6/569
D. 256,529 8/1980 VanKoert D6/570
D. 318,536 7/1991 Jones et al. D8/373 X
D. 319,147 8/1991 Eberle, III D3/100 X
3,055,510 9/1962 Coates D6/513 X
3,885,726 5/1975 Fridlund et al. D19/75 X

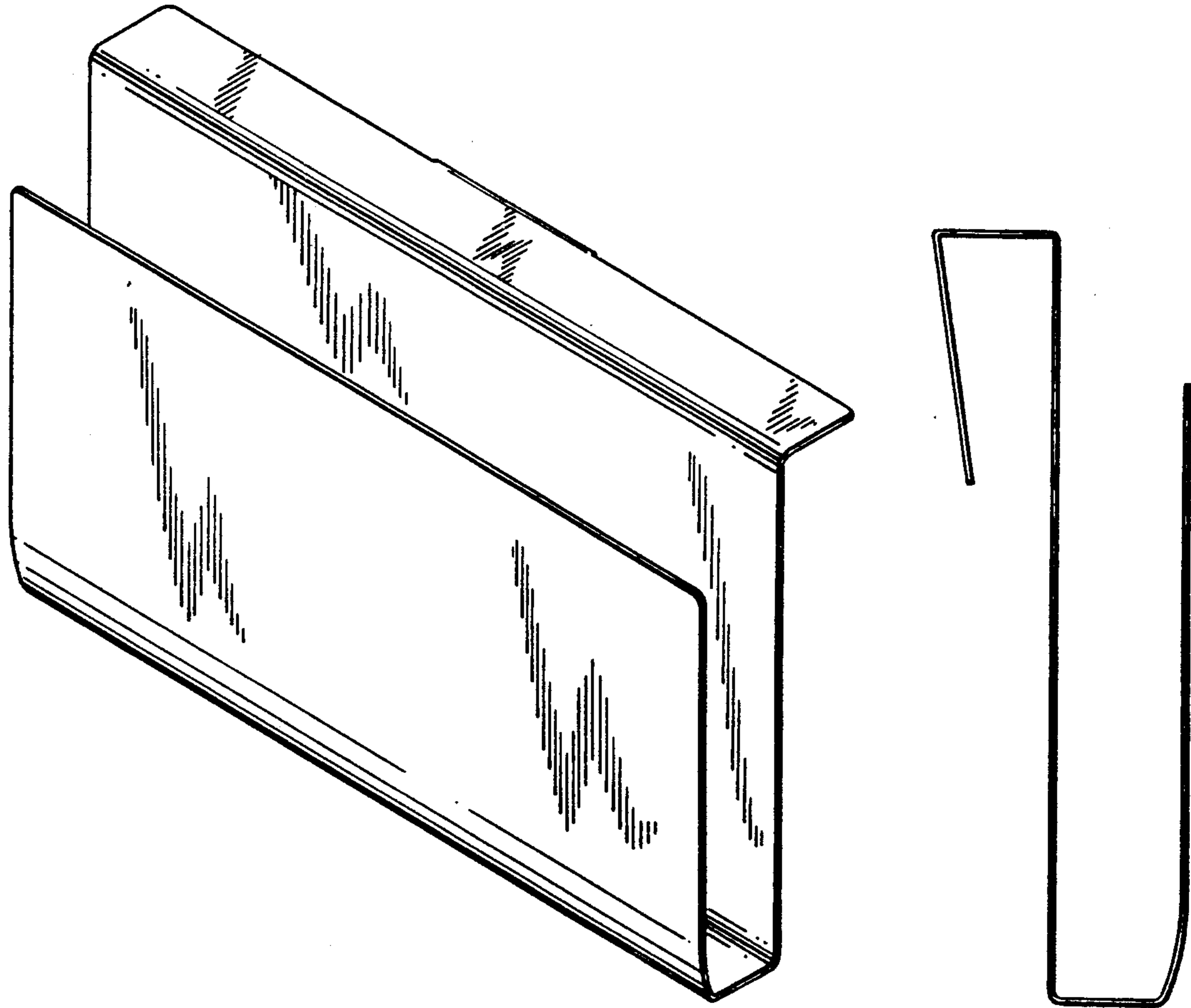
Primary Examiner—Brian N. Vinson
Attorney, Agent, or Firm—Jack E. Haken

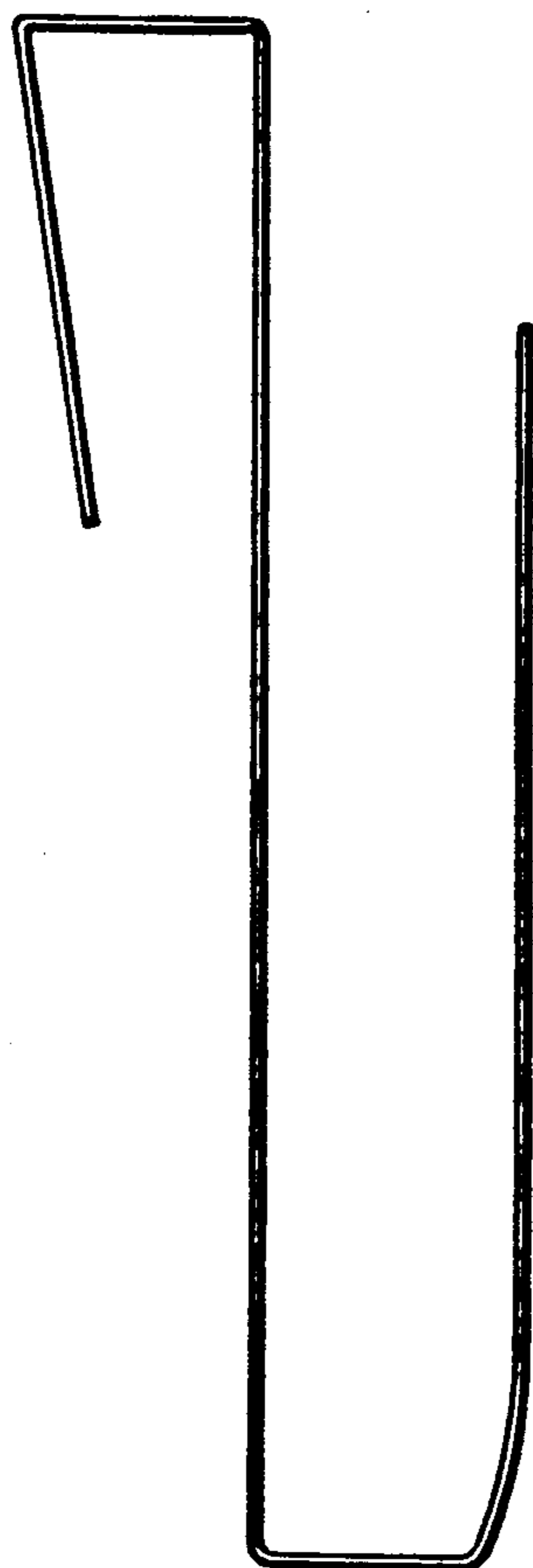
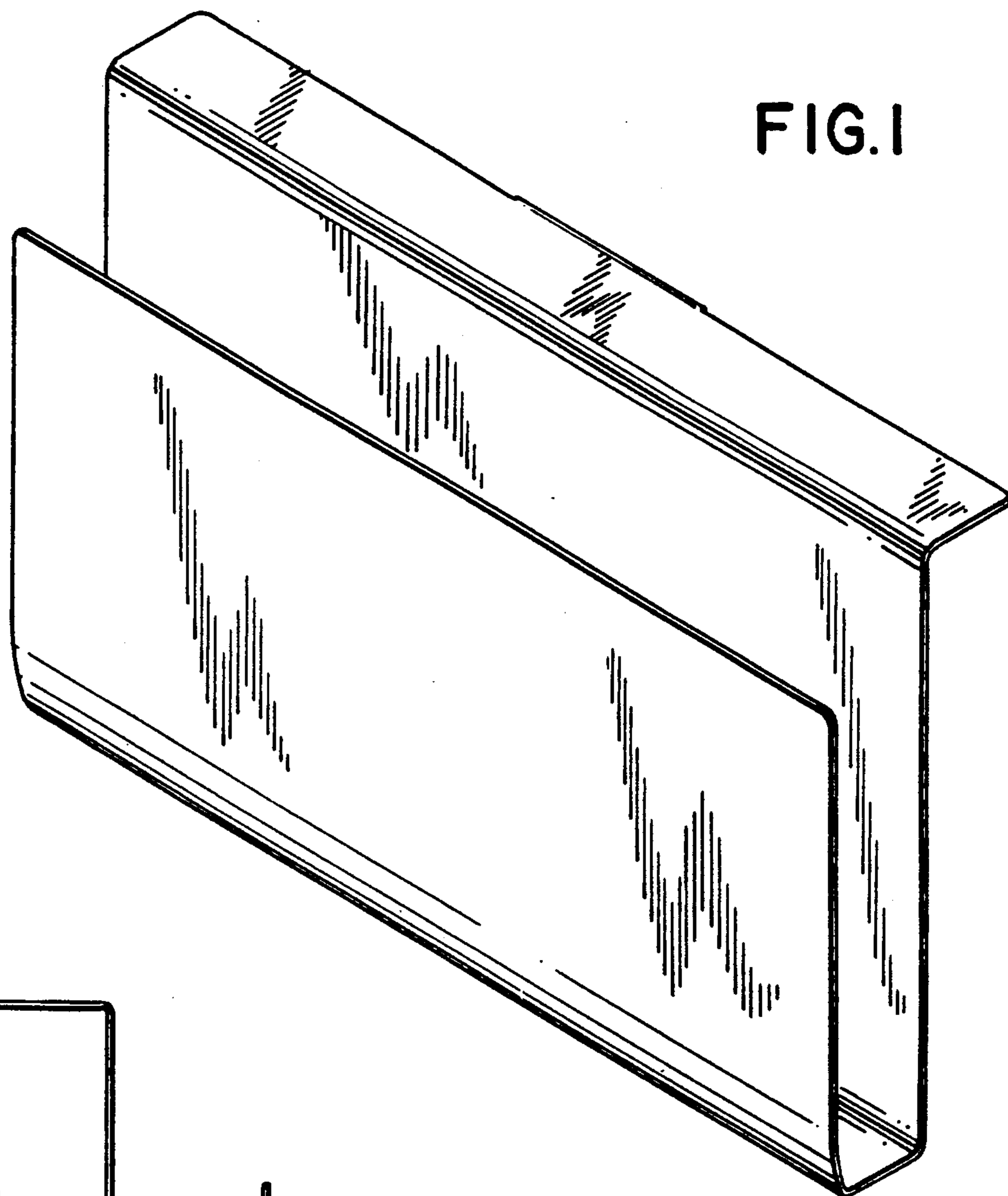
[57] **CLAIM**

The ornamental design for a container for recycling paper, as shown and described herein.

DESCRIPTION

FIG. 1 is a top, front, and right side perspective view of a container for recycling paper showing our new design;
FIG. 2 is an enlarged left side elevational view thereof;
FIG. 3 is an enlarged front elevational view thereof;
FIG. 4 is an enlarged top plan view thereof;
FIG. 5 is an enlarged rear elevational view thereof; and,
FIG. 6 is an enlarged bottom view thereof.





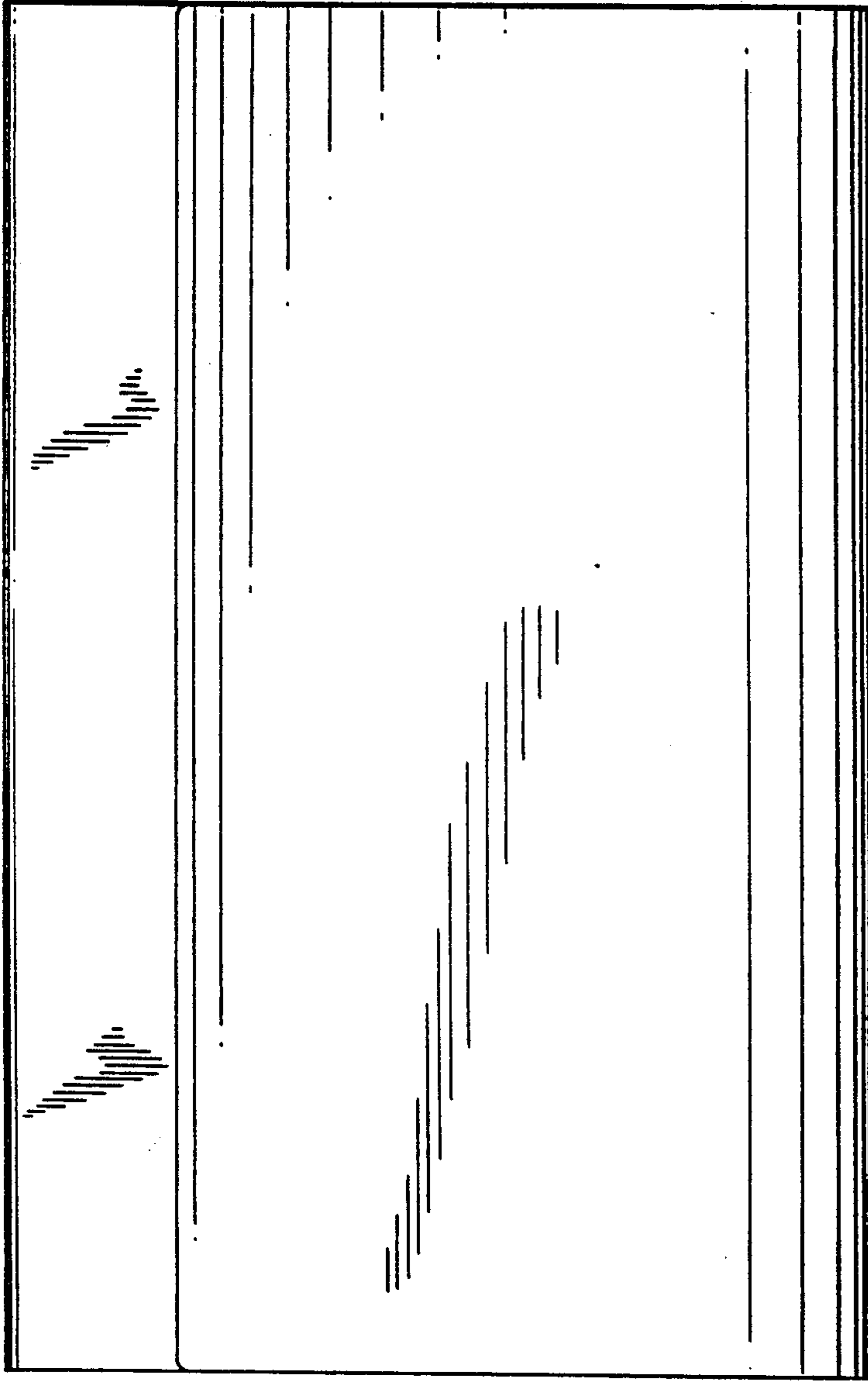


FIG. 3

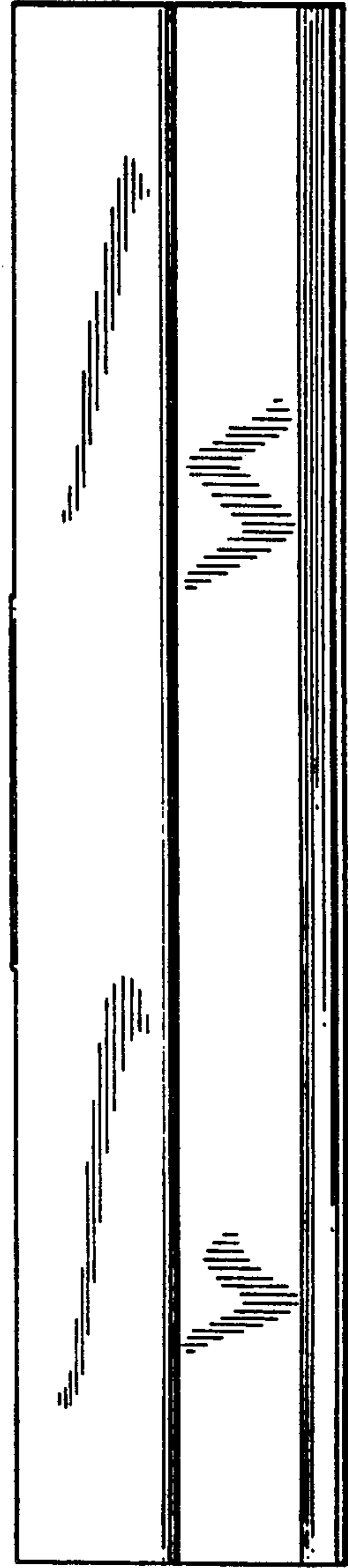


FIG. 4

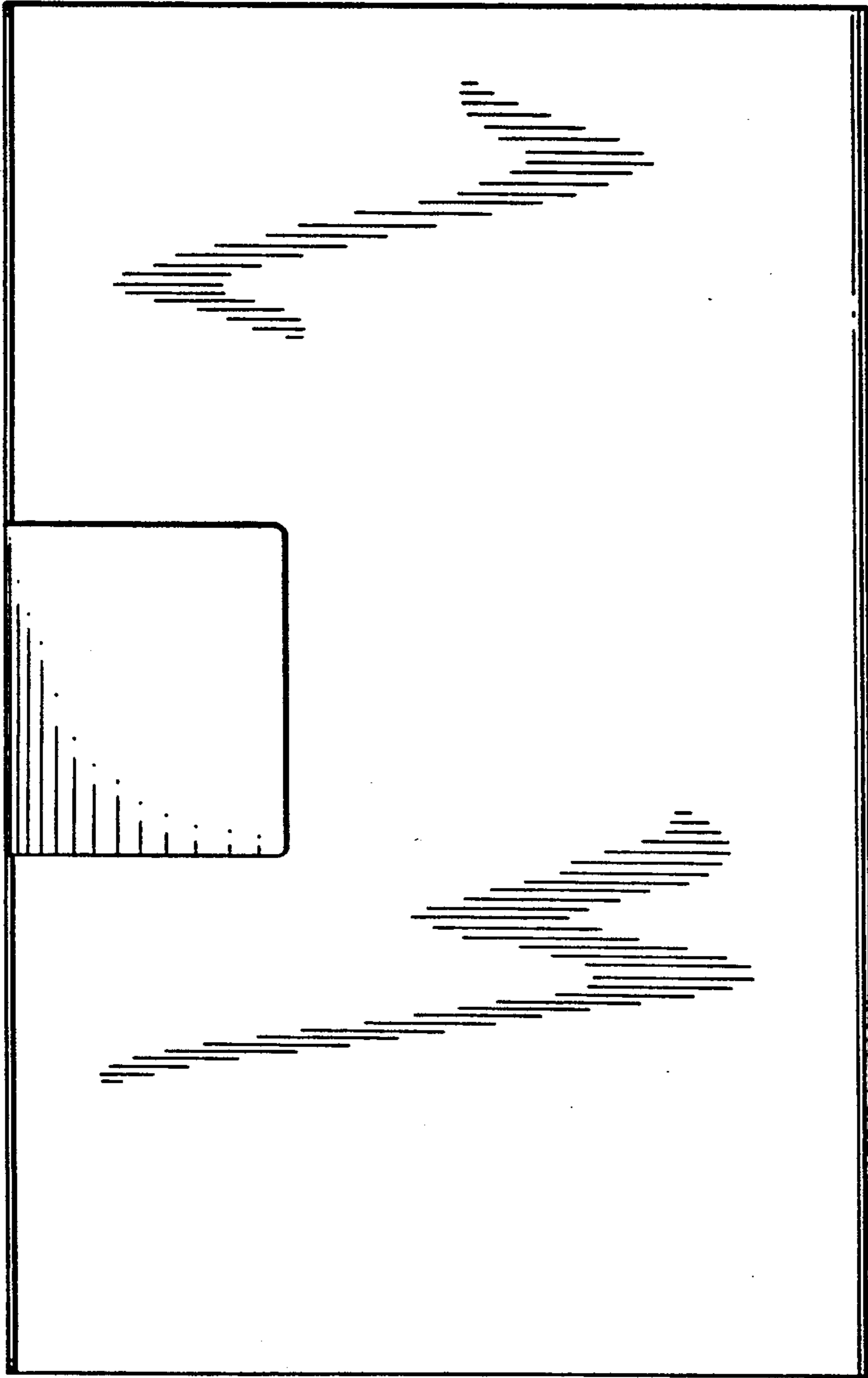


FIG. 5

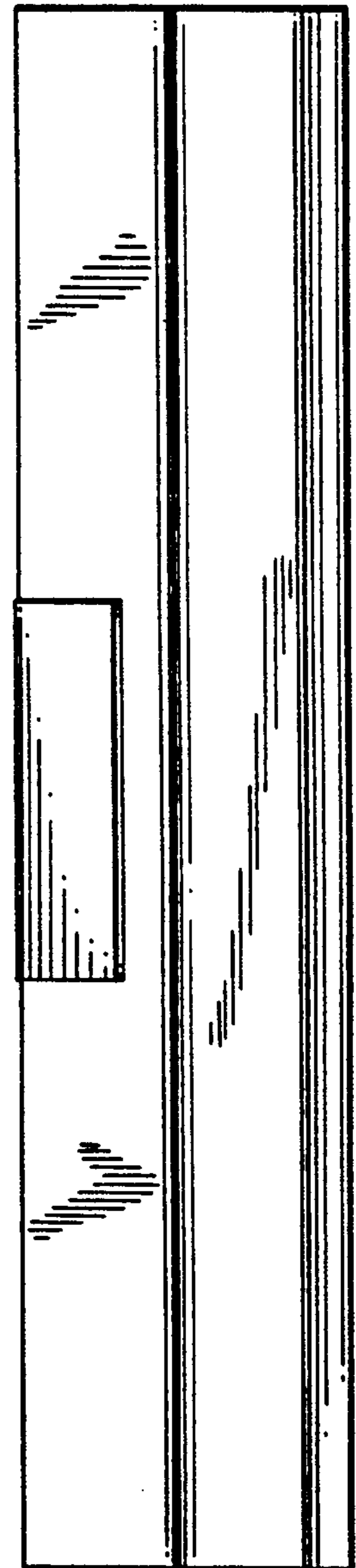


FIG. 6