



US00D337010S

# United States Patent [19]

[11] Patent Number: **Des. 337,010**

**Bennett**

[45] Date of Patent: **\*\* Jul. 6, 1993**

## [54] CONFERENCE TABLE

[76] Inventor: **Ward Bennett**, One W. 72nd St., New York, N.Y. 10023

[\*\*] Term: **14 Years**

[21] Appl. No.: **765,094**

[22] Filed: **Sep. 25, 1991**

[52] U.S. Cl. .... **D6/488; D6/487**

[58] Field of Search ..... **D6/480-489, D6/495-499, 450-453; 108/153, 161**

## [56] References Cited

### U.S. PATENT DOCUMENTS

D. 147,902	11/1947	Gray	.....	D6/489 X
D. 167,195	7/1952	Buell	.....	D6/489 X
D. 214,798	7/1969	Court	.....	D6/498
D. 290,205	6/1987	Berry, Jr.	.....	D6/487 X
D. 325,140	4/1992	Sottsass et al.	.....	D6/387
4,941,413	7/1990	Vanderminden	.....	D6/487 X

## OTHER PUBLICATIONS

*Interiors*, Jan. 1989, p. 108, table at bottom left.  
Ikea 1990, p. 65, table at lower right corner REXBO coffee table.

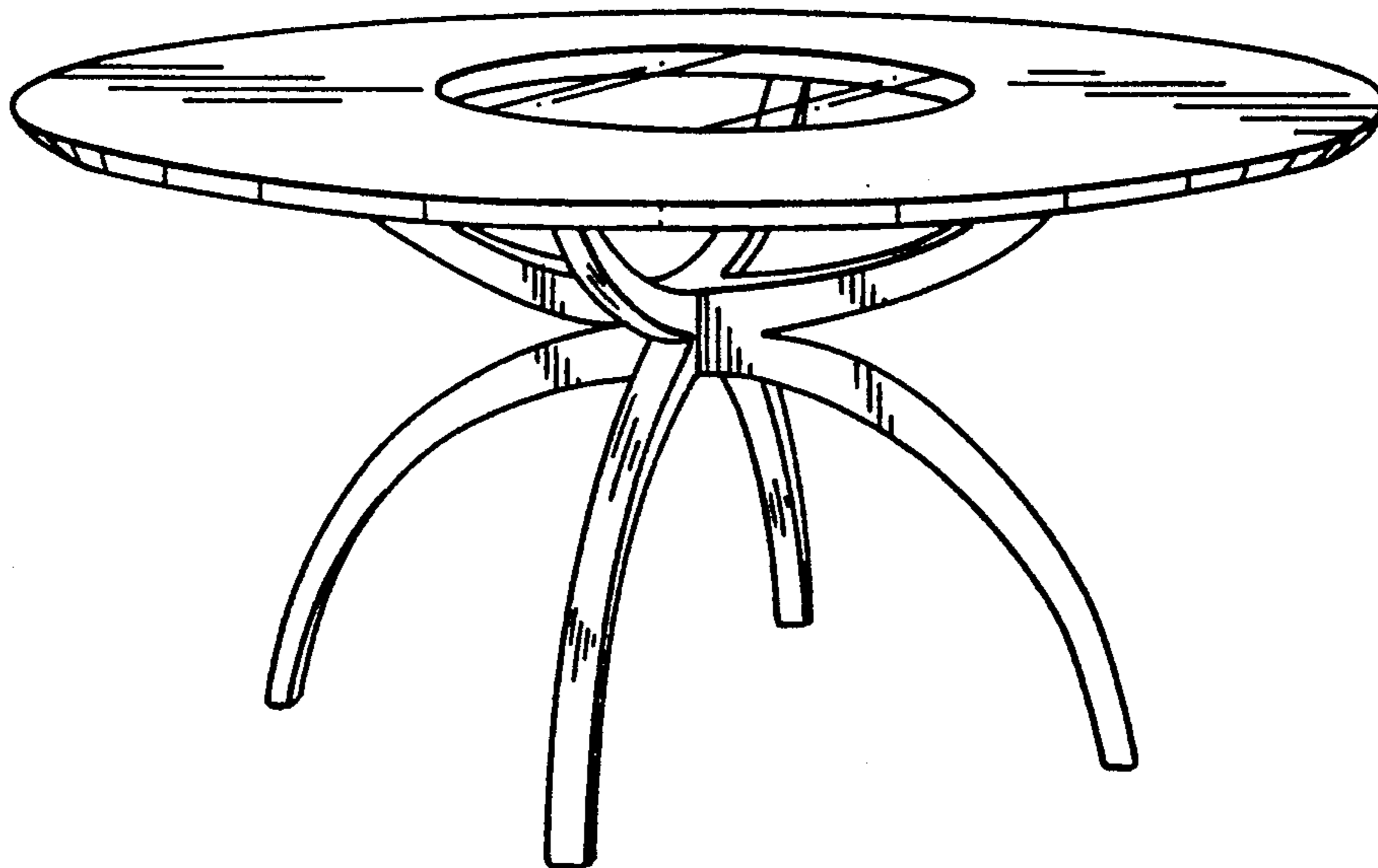
*Primary Examiner*—Nelson C. Holtje  
*Assistant Examiner*—J. E. Seeger  
*Attorney, Agent, or Firm*—Hoffman, Wasson & Gitler

## [57] CLAIM

The ornamental design for a conference table, as shown and described.

## DESCRIPTION

FIG. 1 is a top view of the conference table design; FIG. 2 is an end view; FIG. 3 is a bottom view; FIG. 4 is an end view; FIG. 5 is a left side view; FIG. 6 is a right side view; FIG. 7 is a perspective view; and, FIG. 8 is a second embodiment of a perspective view of the design.



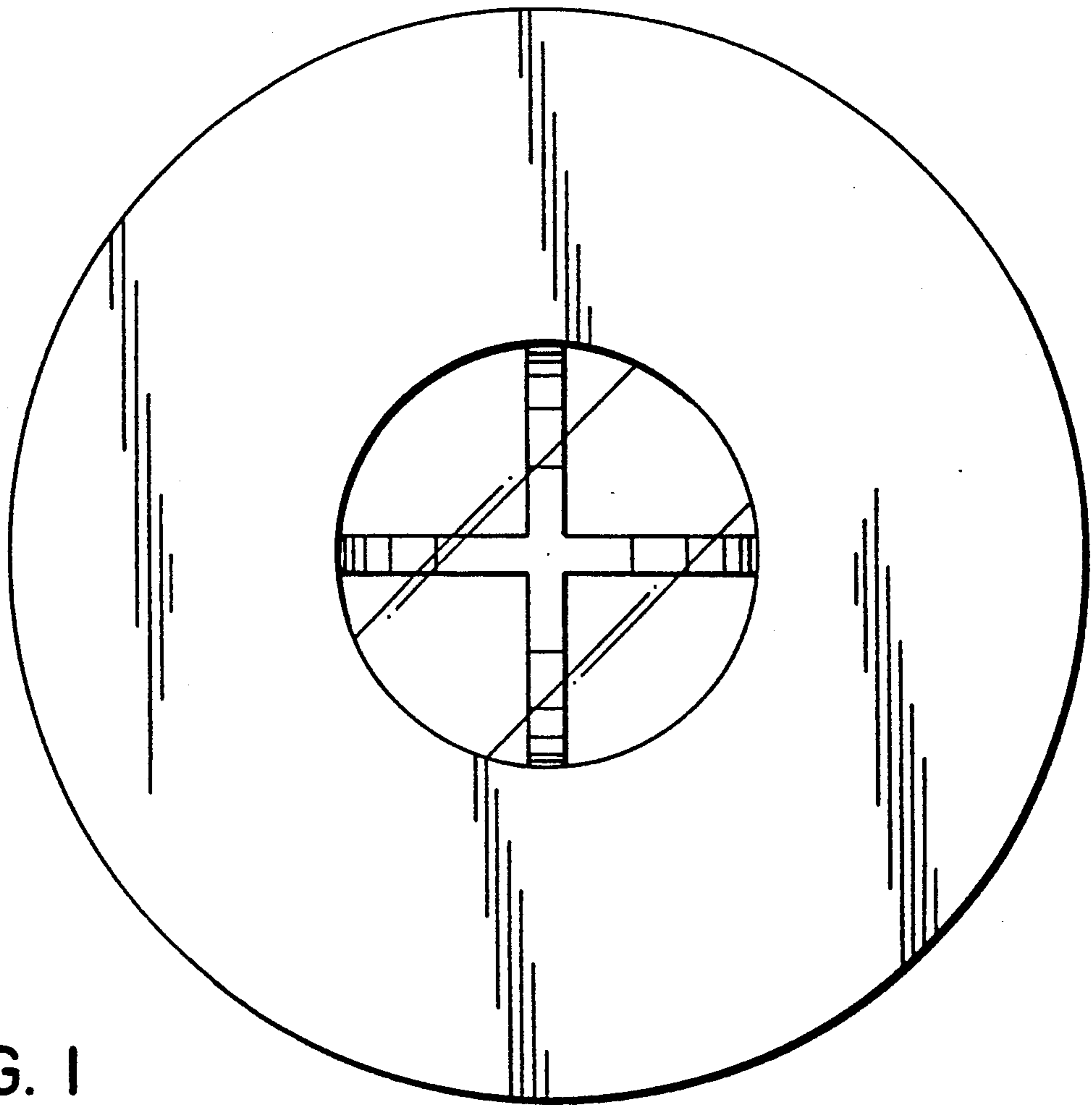


FIG. 1

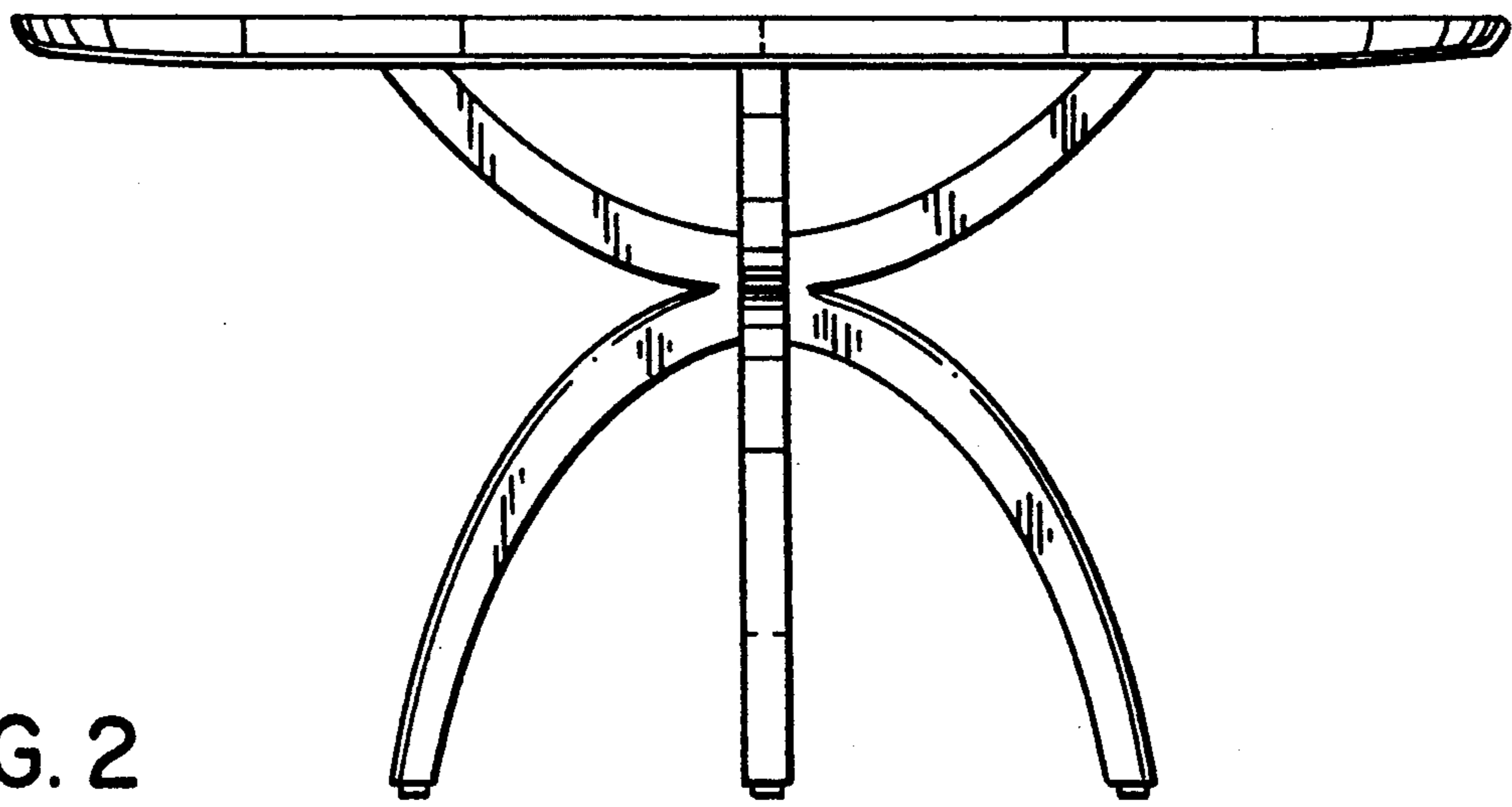


FIG. 2

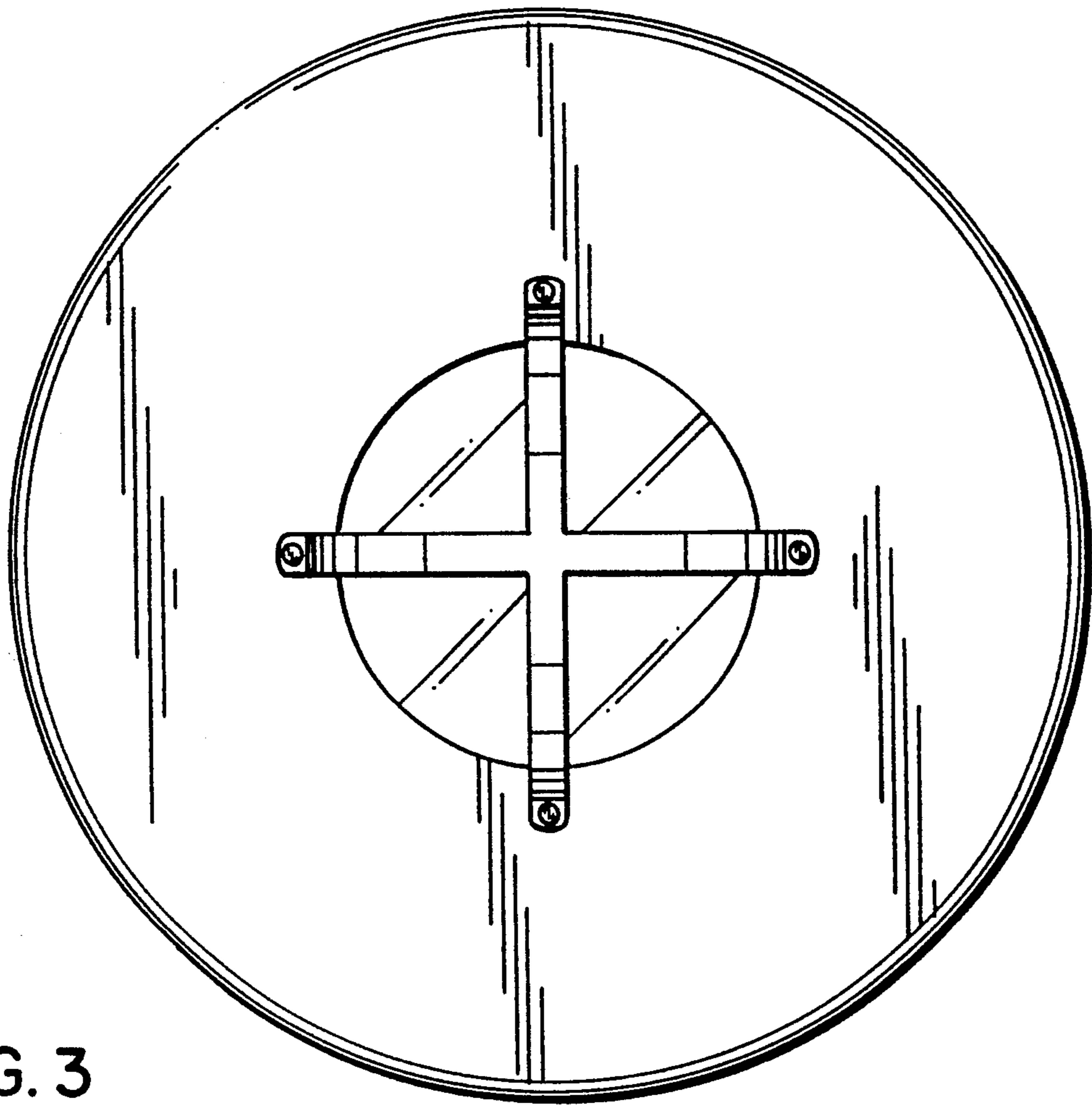


FIG. 3

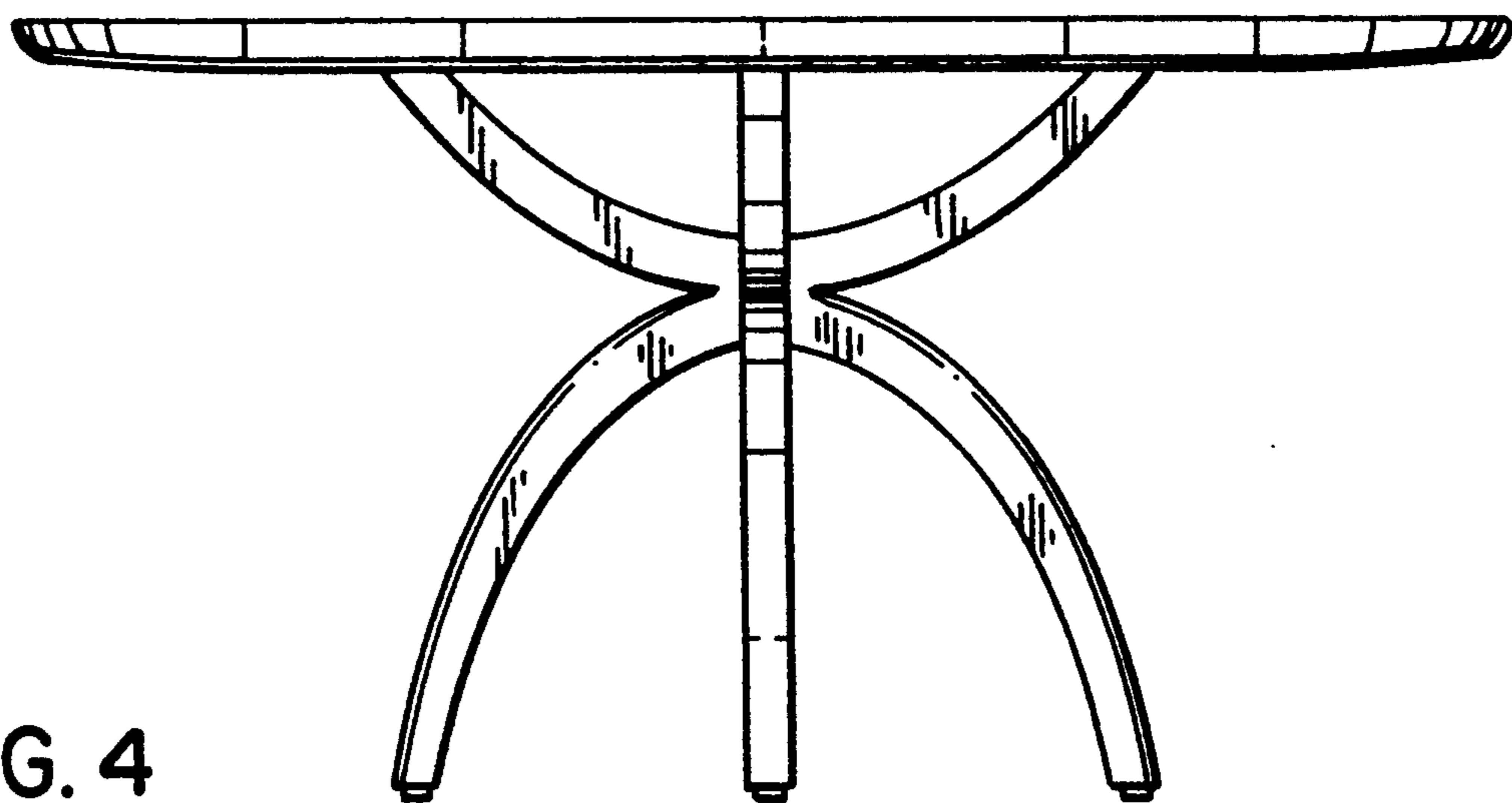


FIG. 4

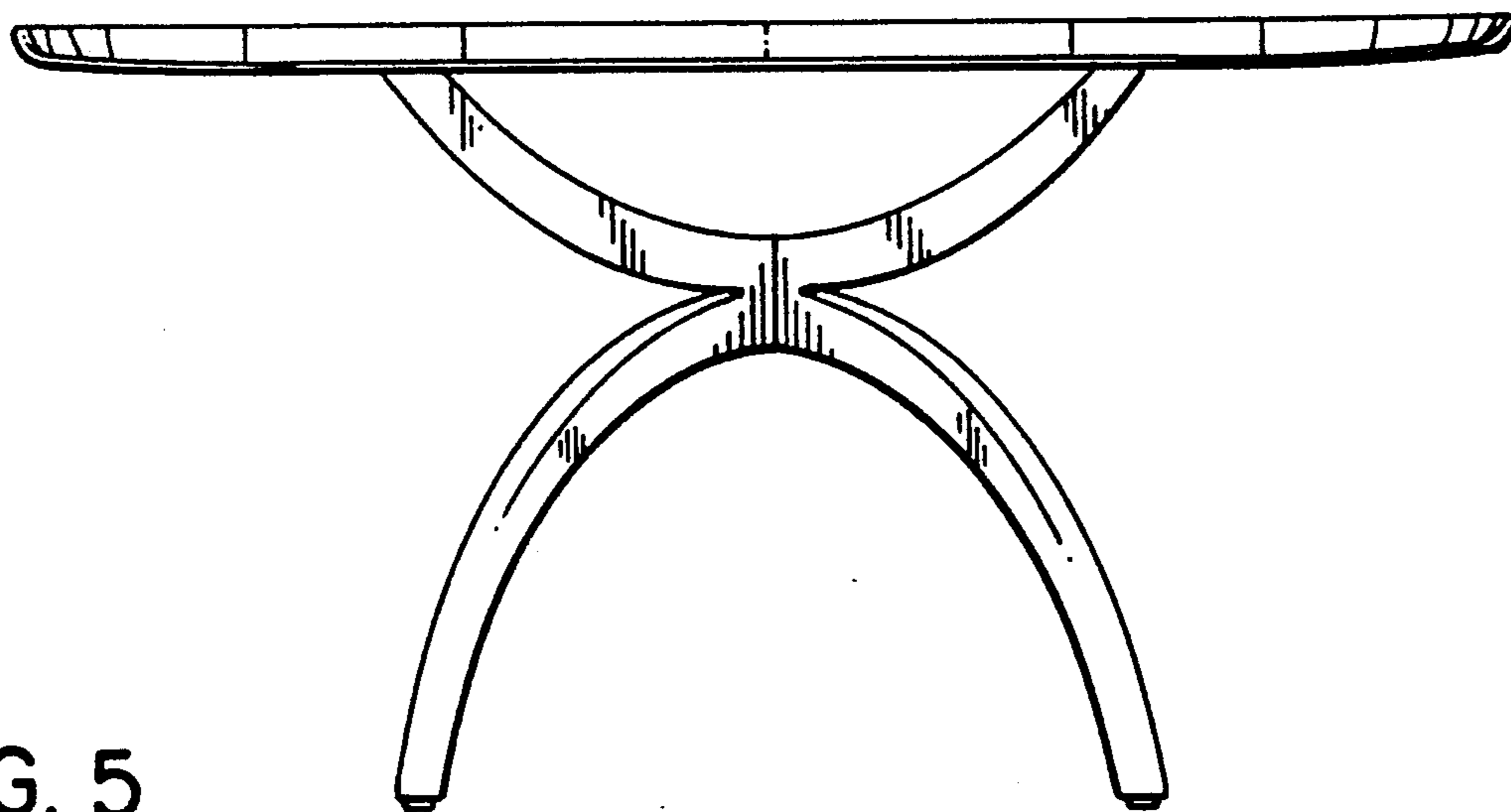


FIG. 5

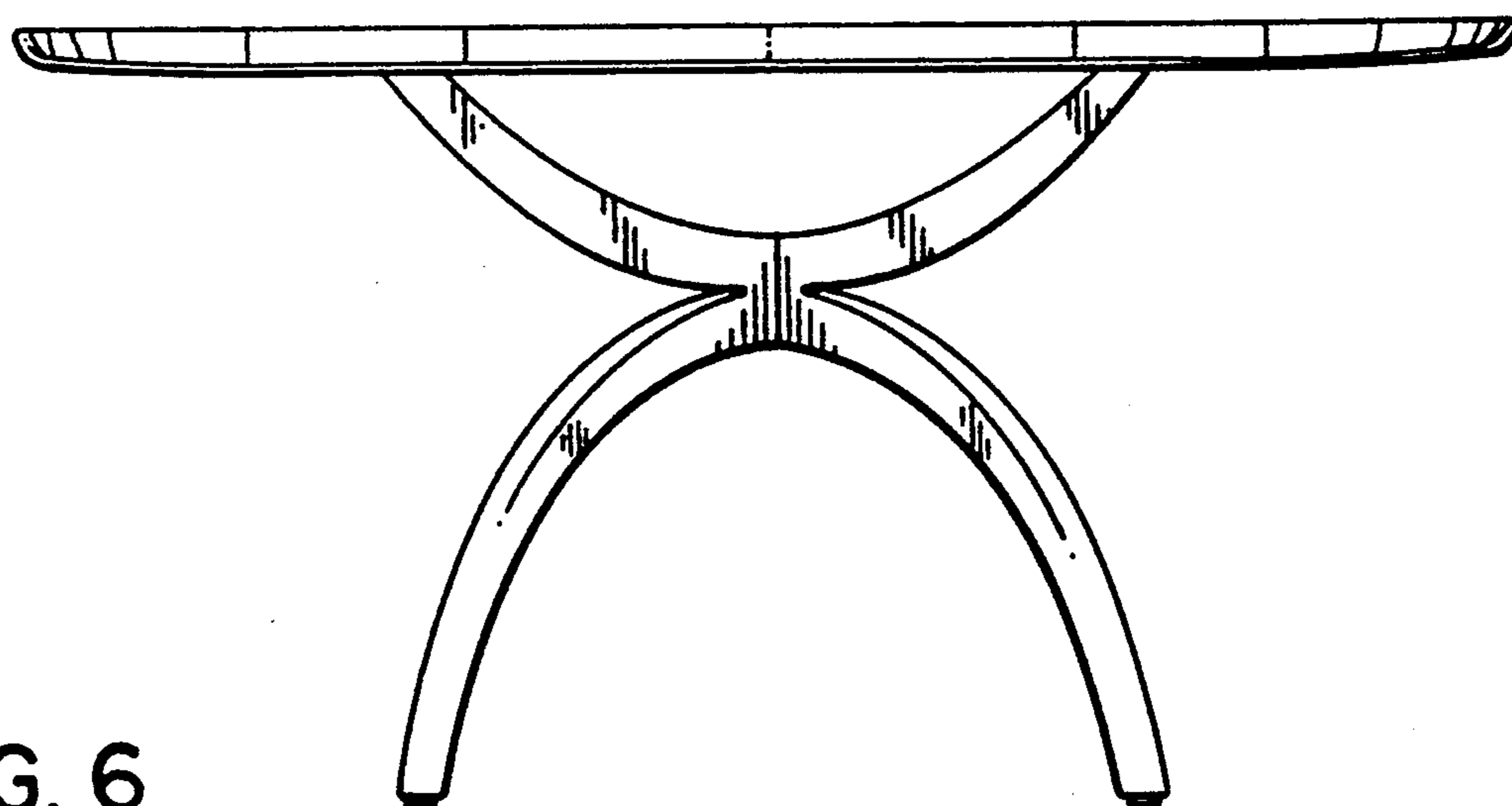


FIG. 6

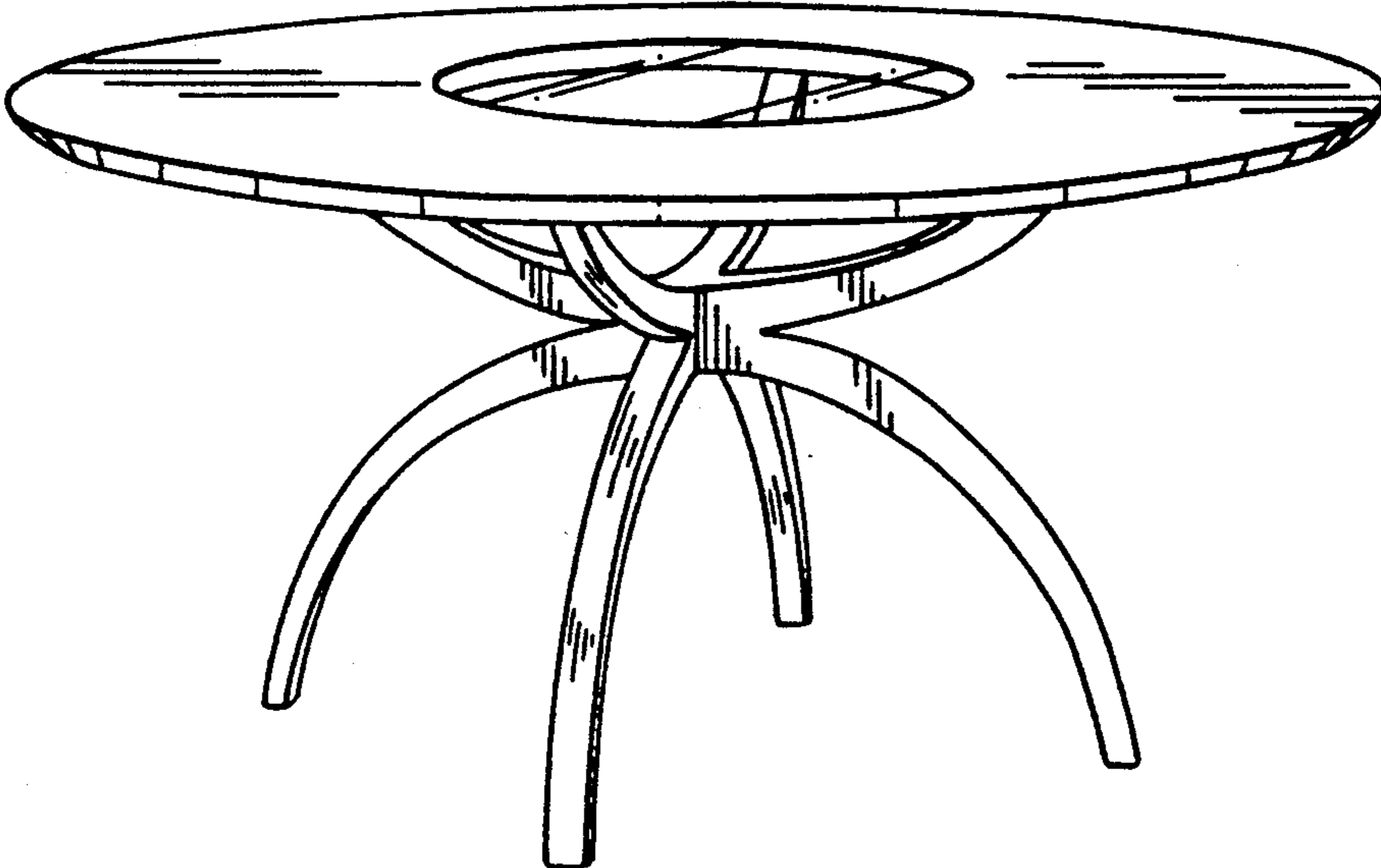


FIG. 7

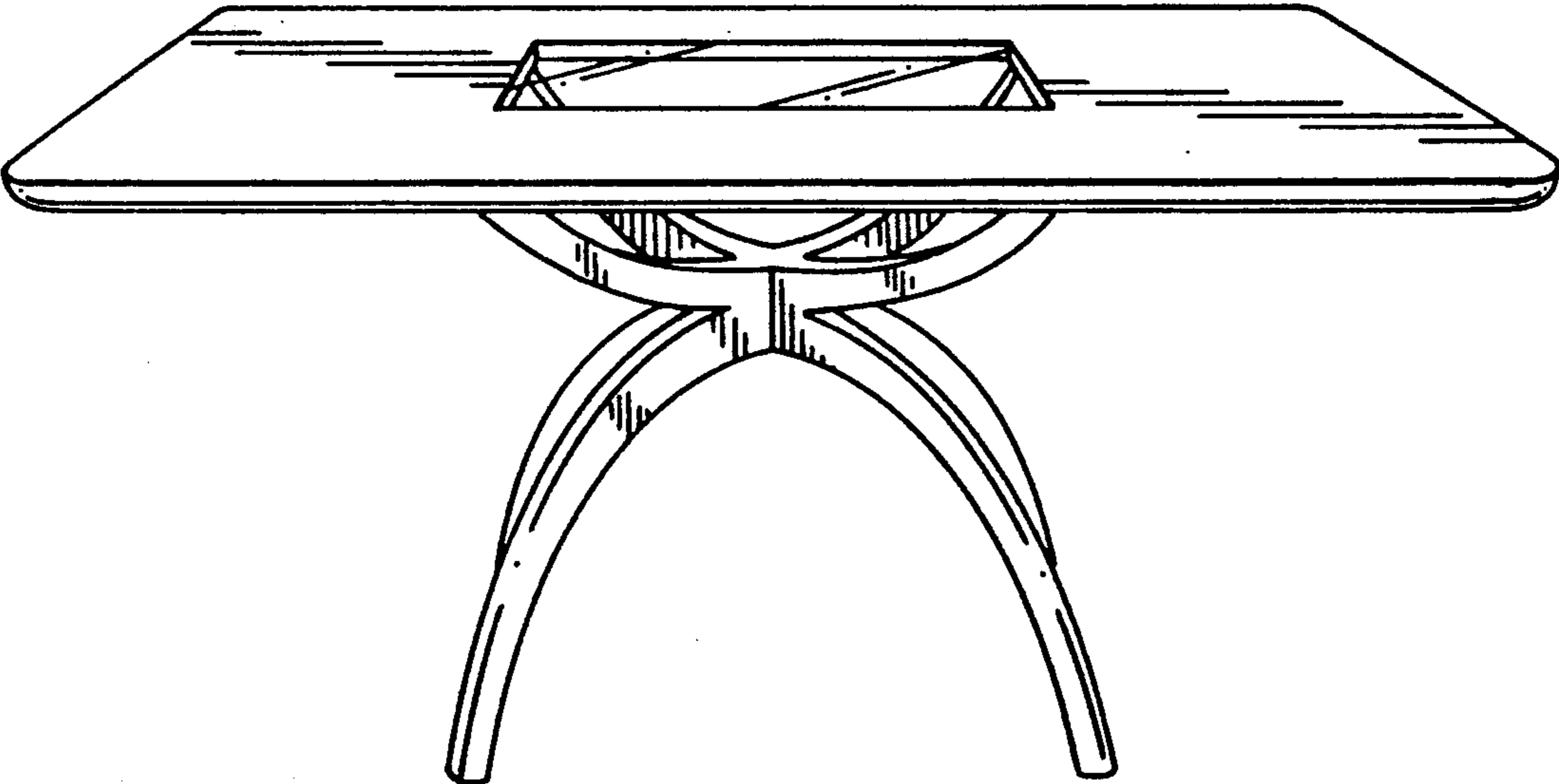


FIG. 8