



US00D337009S

United States Patent [19]
Downing

[11] **Patent Number: Des. 337,009**
[45] **Date of Patent: ** Jul. 6, 1993**

[54] **TIRE DISPLAY TABLE**

[76] **Inventor: Kevin P. Downing, 7777 Rogers St., Golden, Colo. 80403**

[**] **Term: 14 Years**

[21] **Appl. No.: 671,282**

[22] **Filed: Mar. 15, 1991**

[52] **U.S. Cl. D6/486; D6/466**

[58] **Field of Search D6/480, 482-489, D6/495, 496, 498, 499, 466; 108/150, 161**

[56] **References Cited**

U.S. PATENT DOCUMENTS

D. 152,998	3/1949	Martin	D6/483
D. 201,533	6/1965	Huey et al.	D6/466
D. 222,589	11/1971	Leaver	D6/486
D. 240,983	8/1976	Rownan	D6/486

OTHER PUBLICATIONS

D.I.A., p. 23, #1300-4 at top left.

Primary Examiner—Nelson C. Holtje

Assistant Examiner—J. E. Seeger

Attorney, Agent, or Firm—Charles C. Corbin

[57] **CLAIM**

The ornamental design for a tire display table, as shown and described.

DESCRIPTION

FIG. 1 is a perspective view of a tire display table showing my new design;

FIG. 2 is a front elevational view;

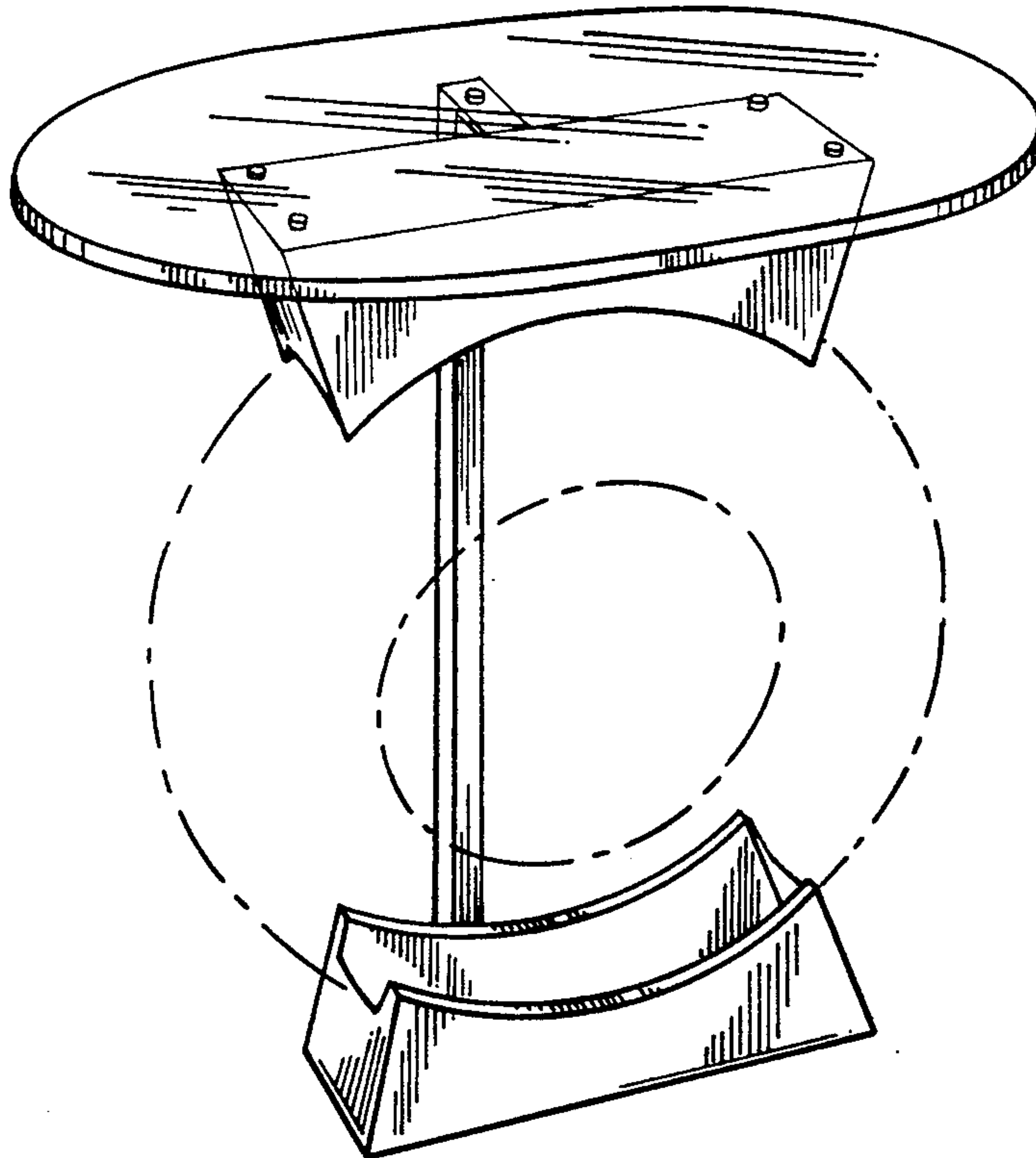
FIG. 3 is a left side elevational view;

FIG. 4 is a right side elevational view;

FIG. 5 is a rear elevational view;

FIG. 6 is a top plan view; and,

FIG. 7 is a bottom plan view.



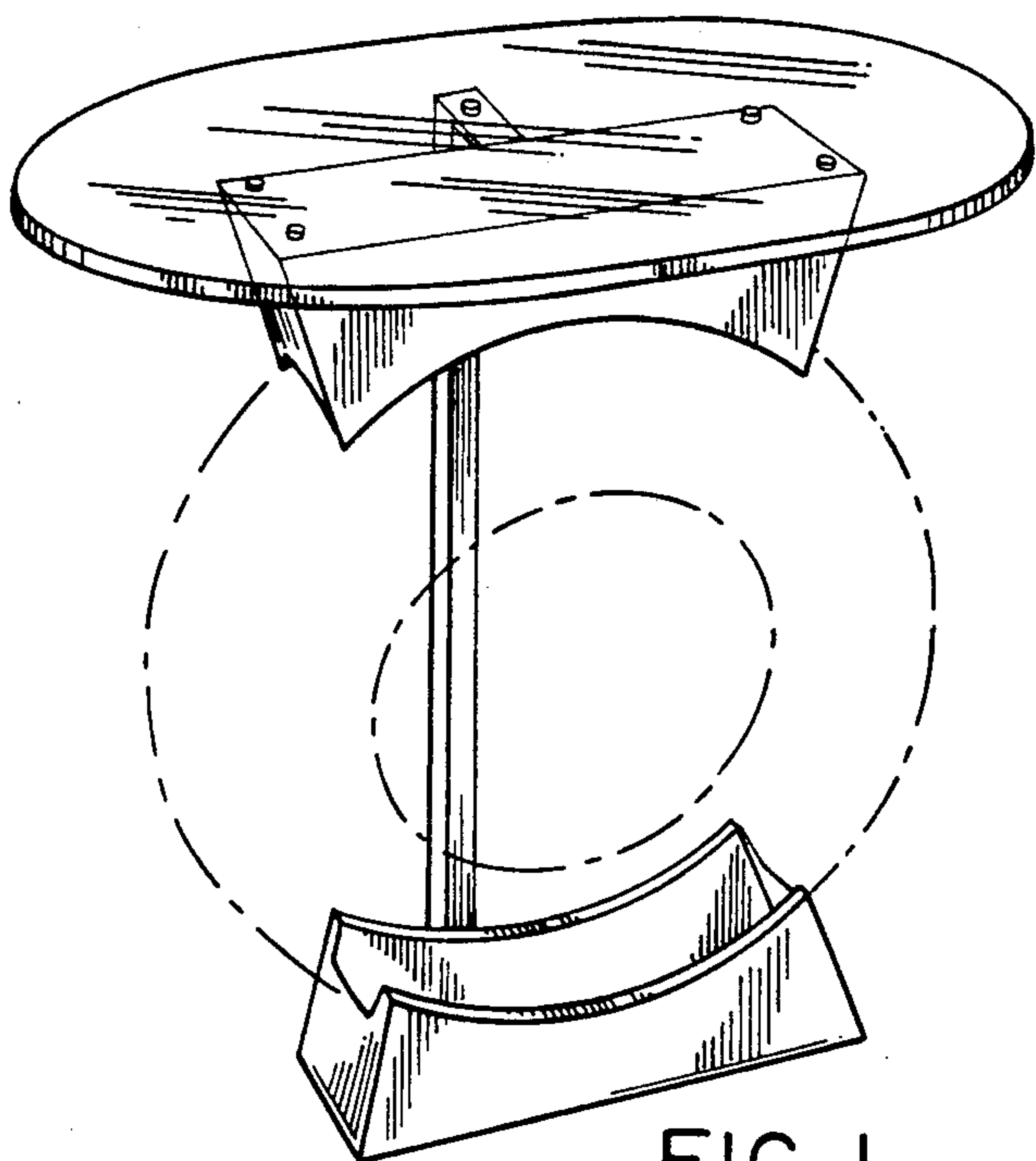


FIG. 1

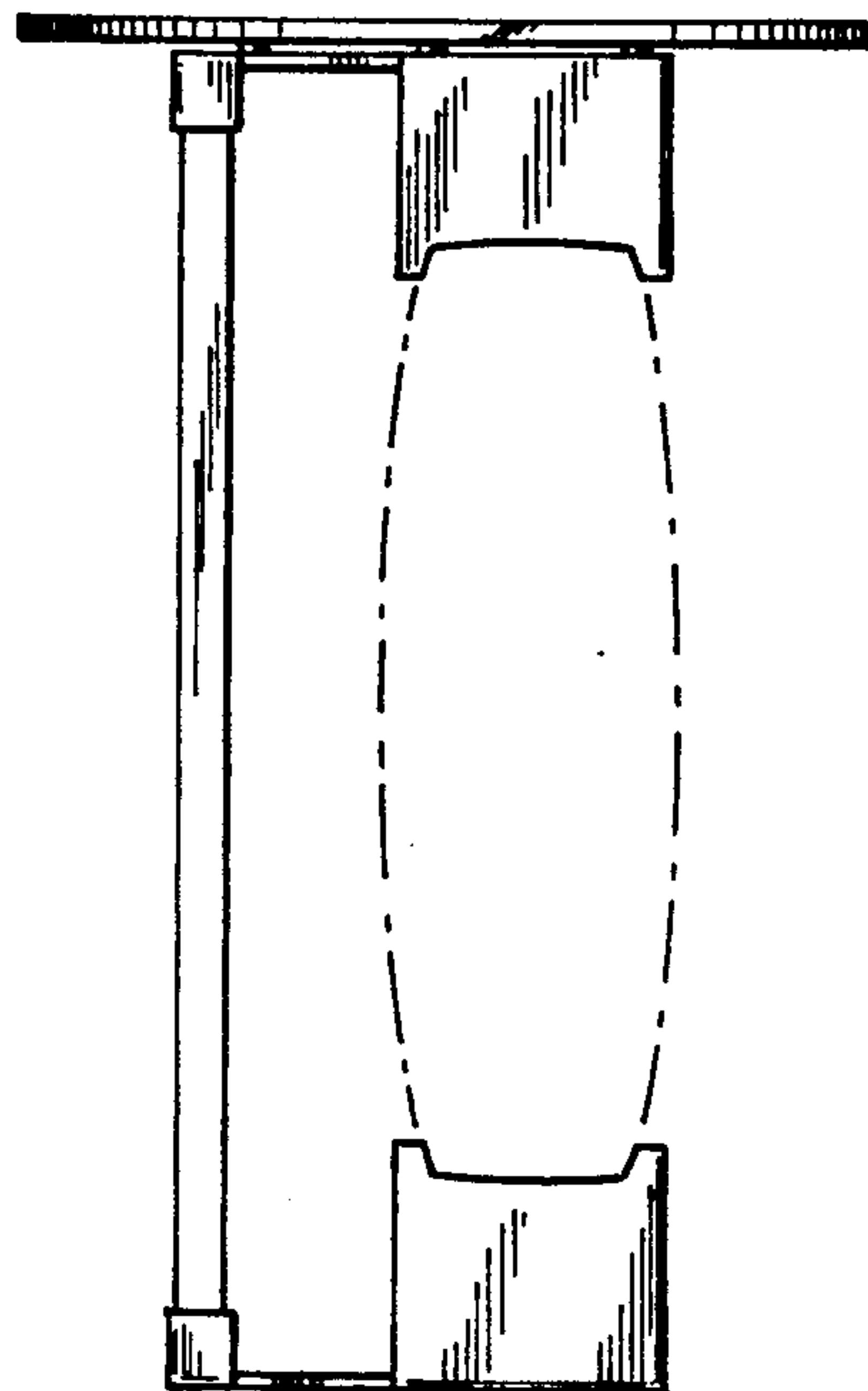


FIG. 3

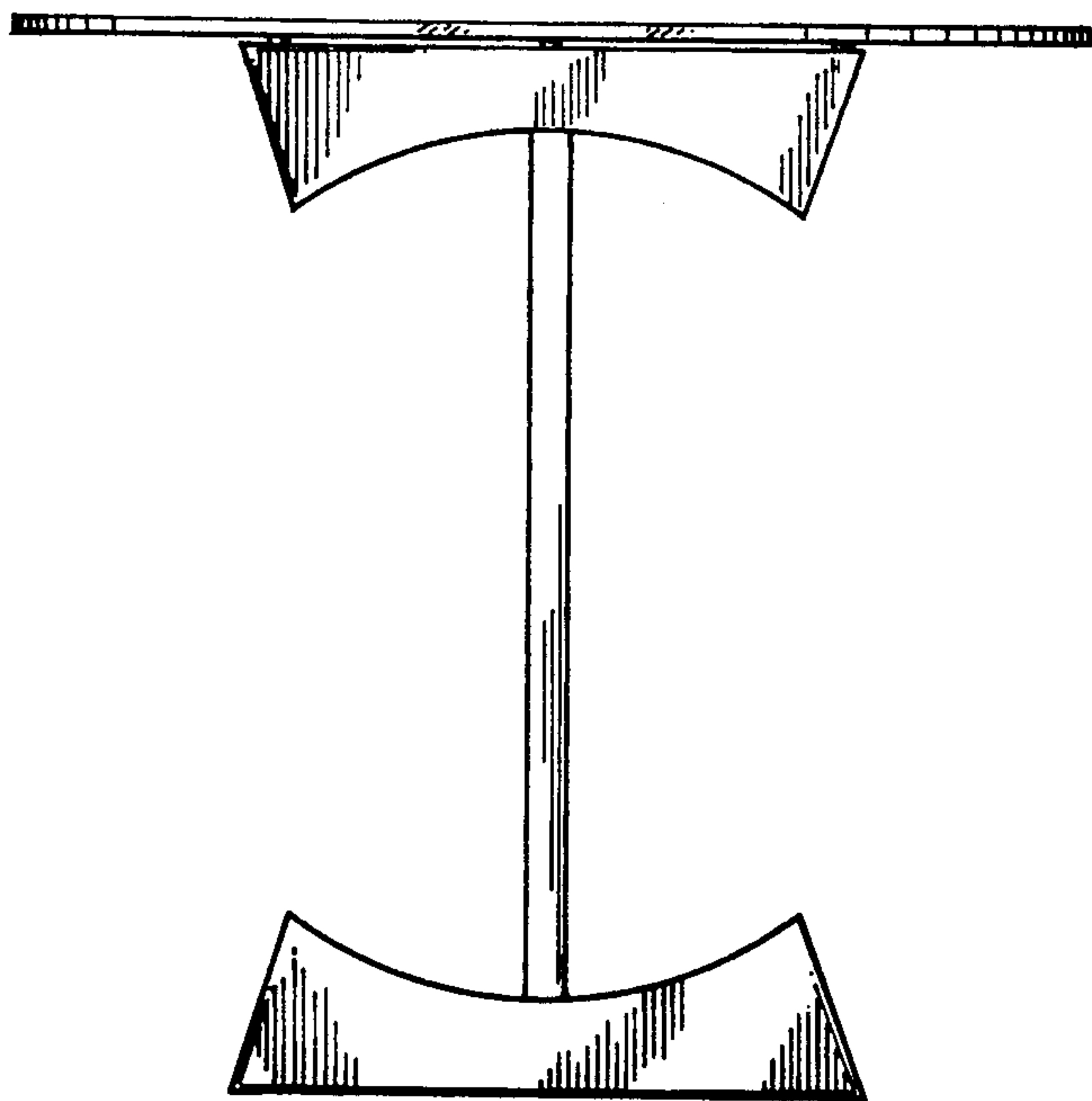


FIG. 2

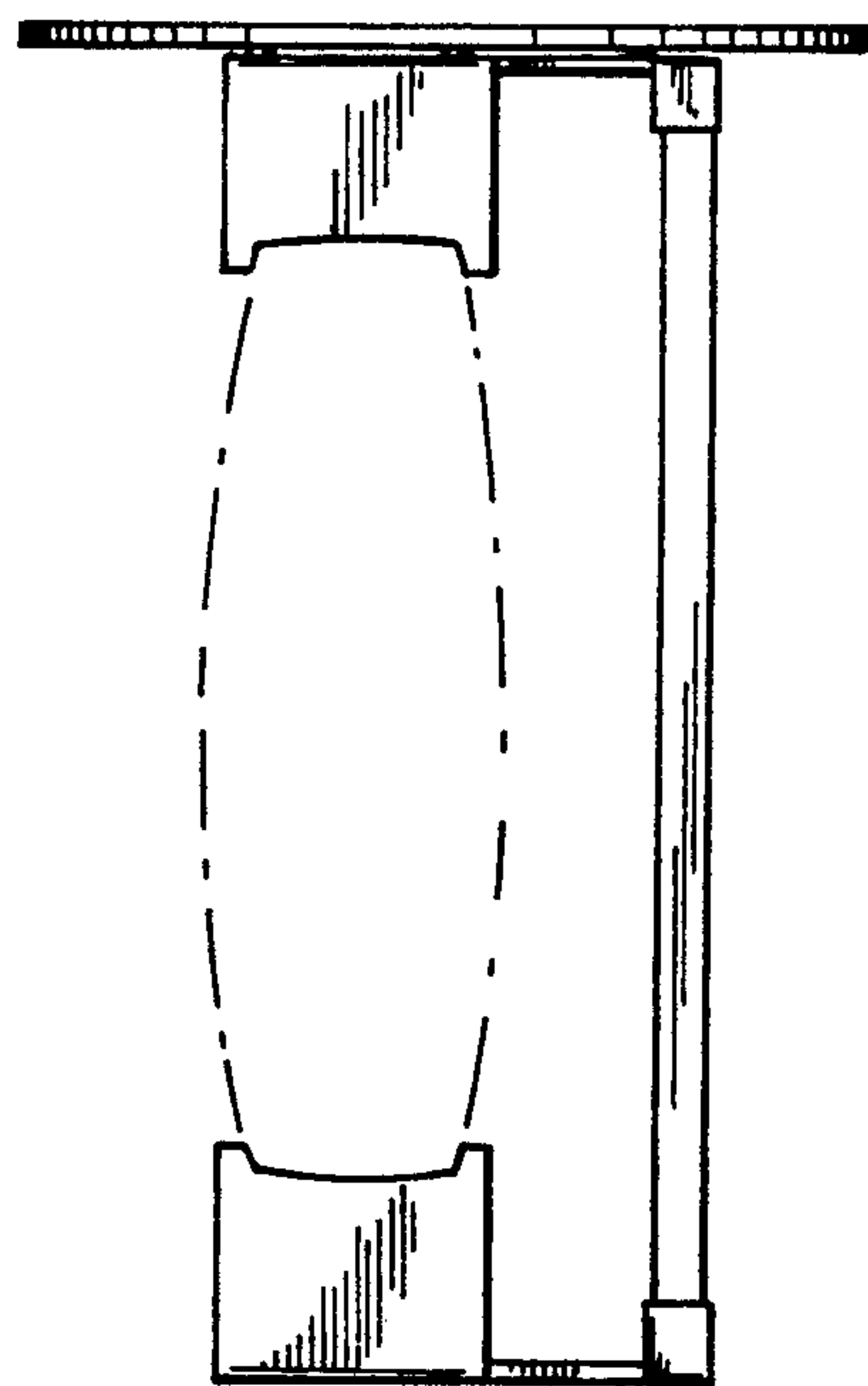


FIG. 4

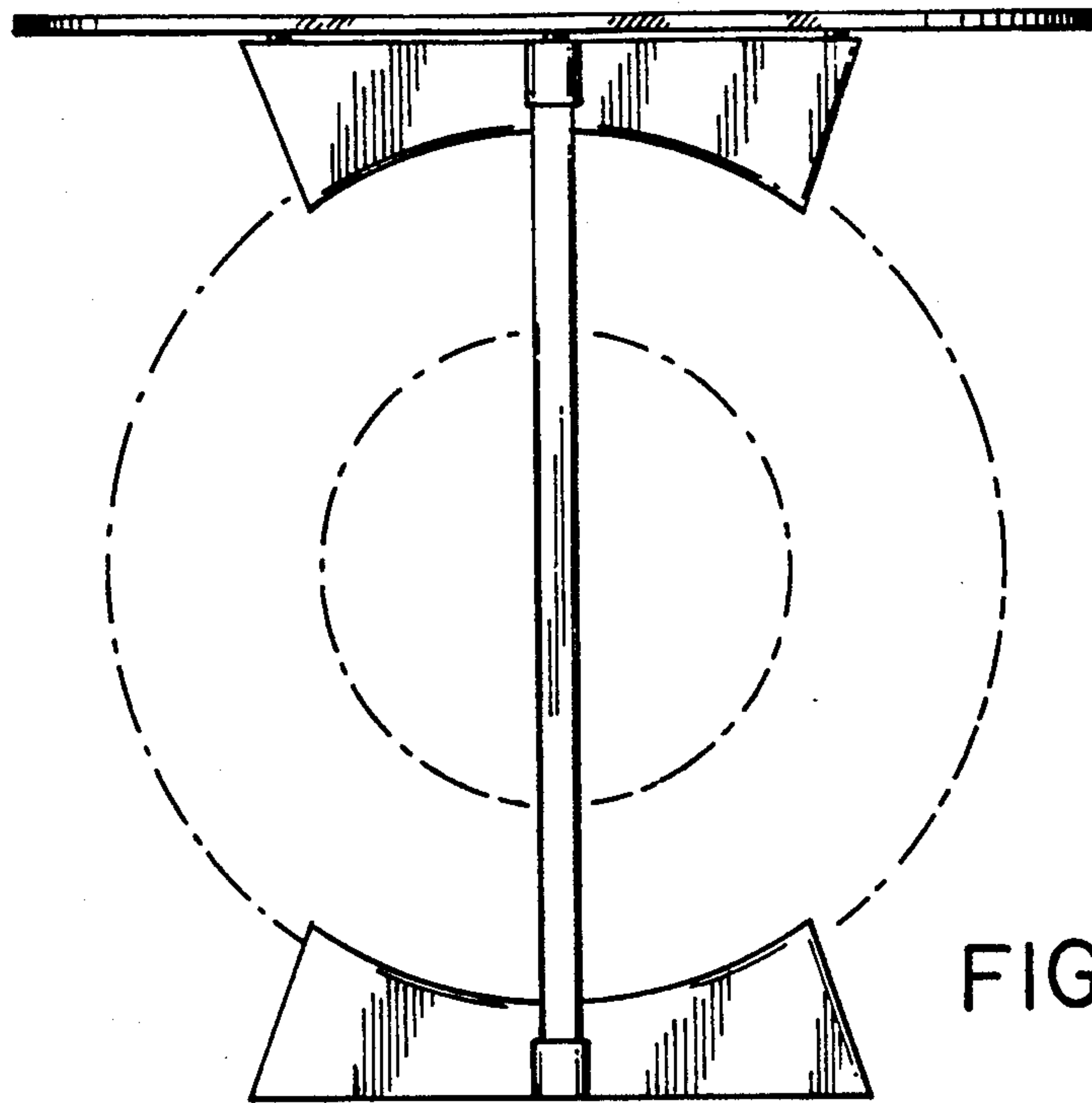


FIG. 5

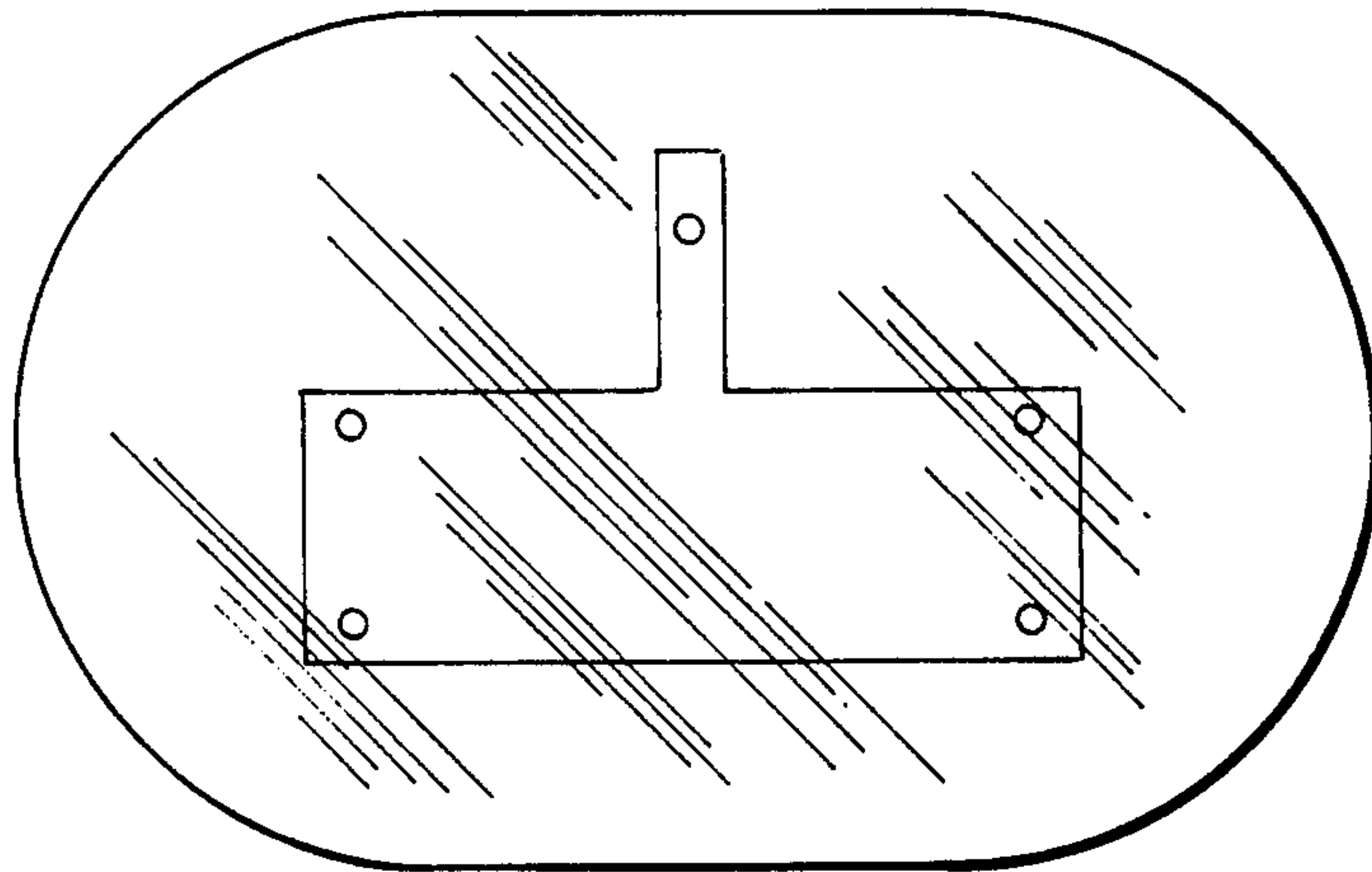


FIG. 6

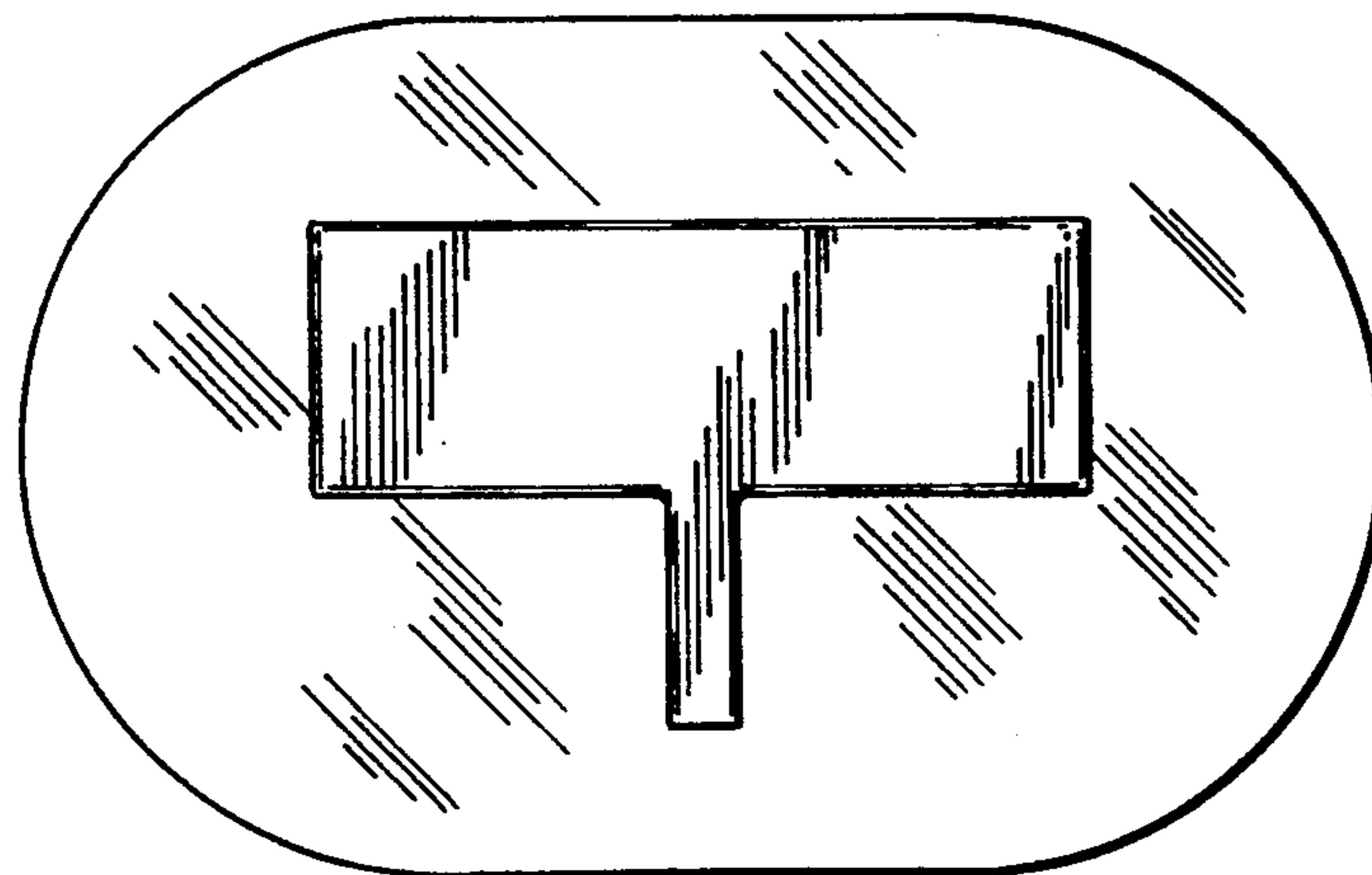


FIG. 7