



US00D337007S

# United States Patent [19]

[11] Patent Number: **Des. 337,007**

**Hanson**

[45] Date of Patent: **\*\* Jul. 6, 1993**

[54] **EXERCISE PLATFORM STORAGE RACK**

[76] Inventor: **Lawrence A. Hanson, 7900 Westglen Dr., Houston, Tex. 77063**

[\*\*] Term: **14 Years**

[21] Appl. No.: **705,149**

[22] Filed: **May 24, 1991**

[52] U.S. Cl. .... **D6/462**

[58] Field of Search ..... **D21/191, 193; D6/449, D6/411, 415, 455, 458, 462-465, 466, 475; D25/62; D34/5, 6, 1; 248/97, 99; 211/60.1, 55, 50, 181; 100/34; 206/444**

[56] **References Cited**

**U.S. PATENT DOCUMENTS**

- D. 247,207 2/1978 Moynihan ..... D6/462
- D. 325,798 4/1992 Montrose et al. .... D34/5
- D. 326,172 5/1992 Biesele et al. .... D34/5
- D. 329,903 9/1992 Craig ..... D6/449 X
- 3,946,876 3/1976 Jay ..... 211/60.1
- 4,029,078 6/1977 Eller ..... 211/60.1 X
- 4,966,278 10/1990 Rosi et al. .... 206/444

**OTHER PUBLICATIONS**

*How to Make PVC Pipe Furniture*, ©1985, p. 160, Figure 6.

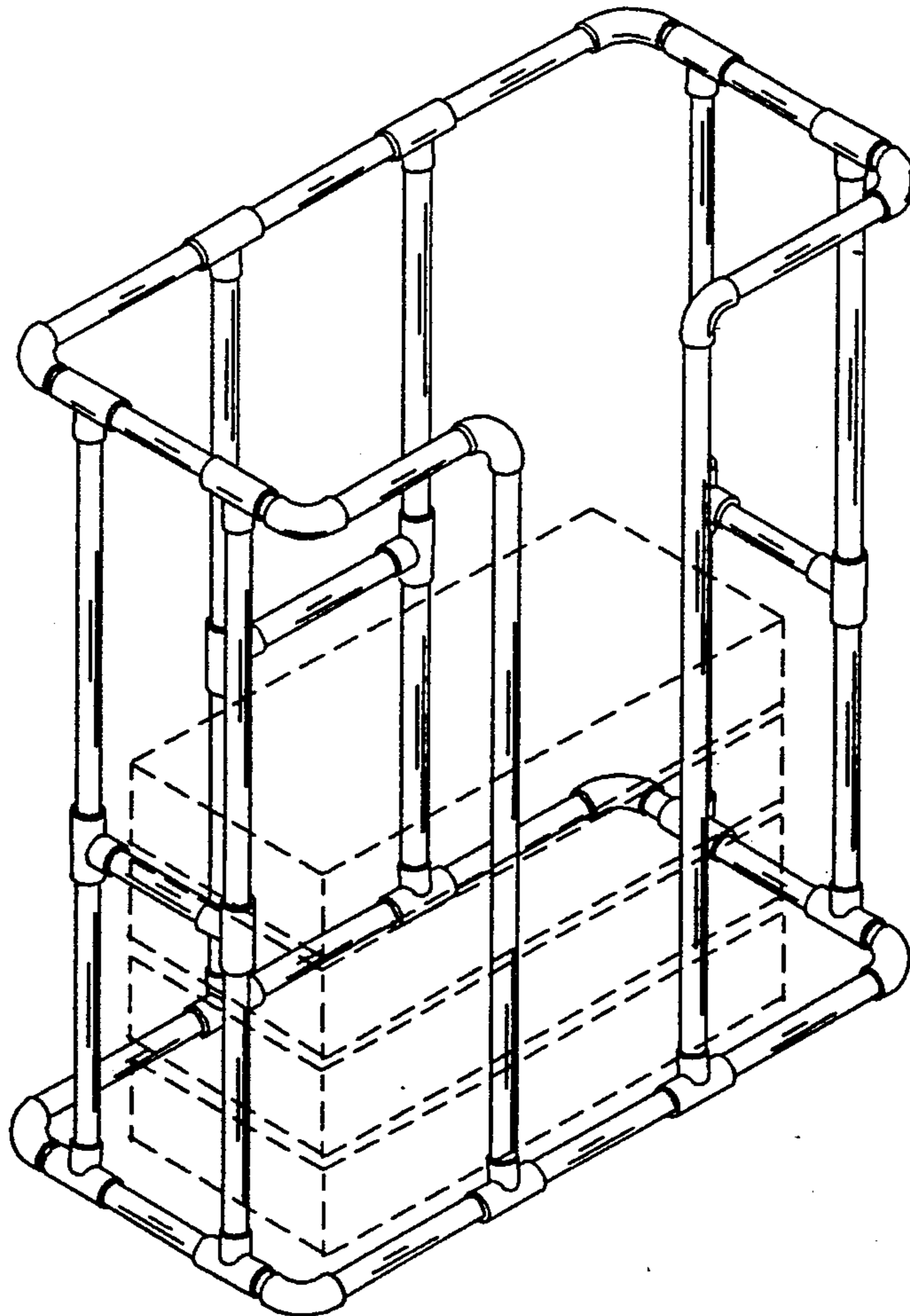
*Primary Examiner*—Alan P. Douglas  
*Assistant Examiner*—Jeffrey Asch  
*Attorney, Agent, or Firm*—Browning, Bushman, Anderson & Brookhart

[57] **CLAIM**

The ornamental design for an exercise platform storage rack, as shown and described herein.

**DESCRIPTION**

FIG. 1 is a perspective view of an exercise platform storage rack showing my new design, the showing of exercise platforms by means of broken lines being for illustrative purposes only;  
FIG. 2 is a rear view of the rack shown in FIG. 1;  
FIG. 3 is a front view of the rack shown in FIG. 1;  
FIG. 4 is a bottom view of the rack shown in FIG. 1;  
and,  
FIG. 5 is a top view of the rack shown in FIG. 1.



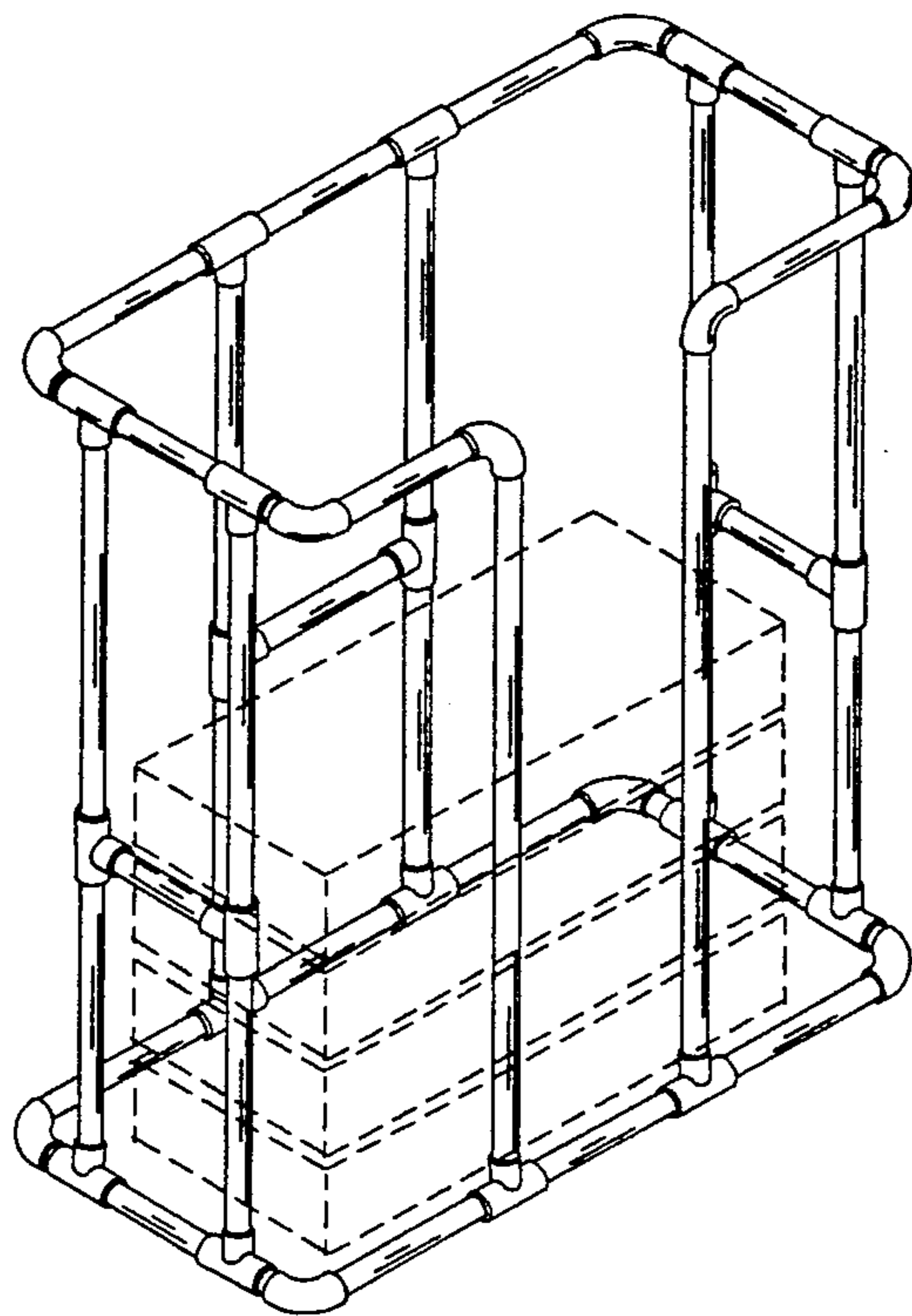


FIG. 1

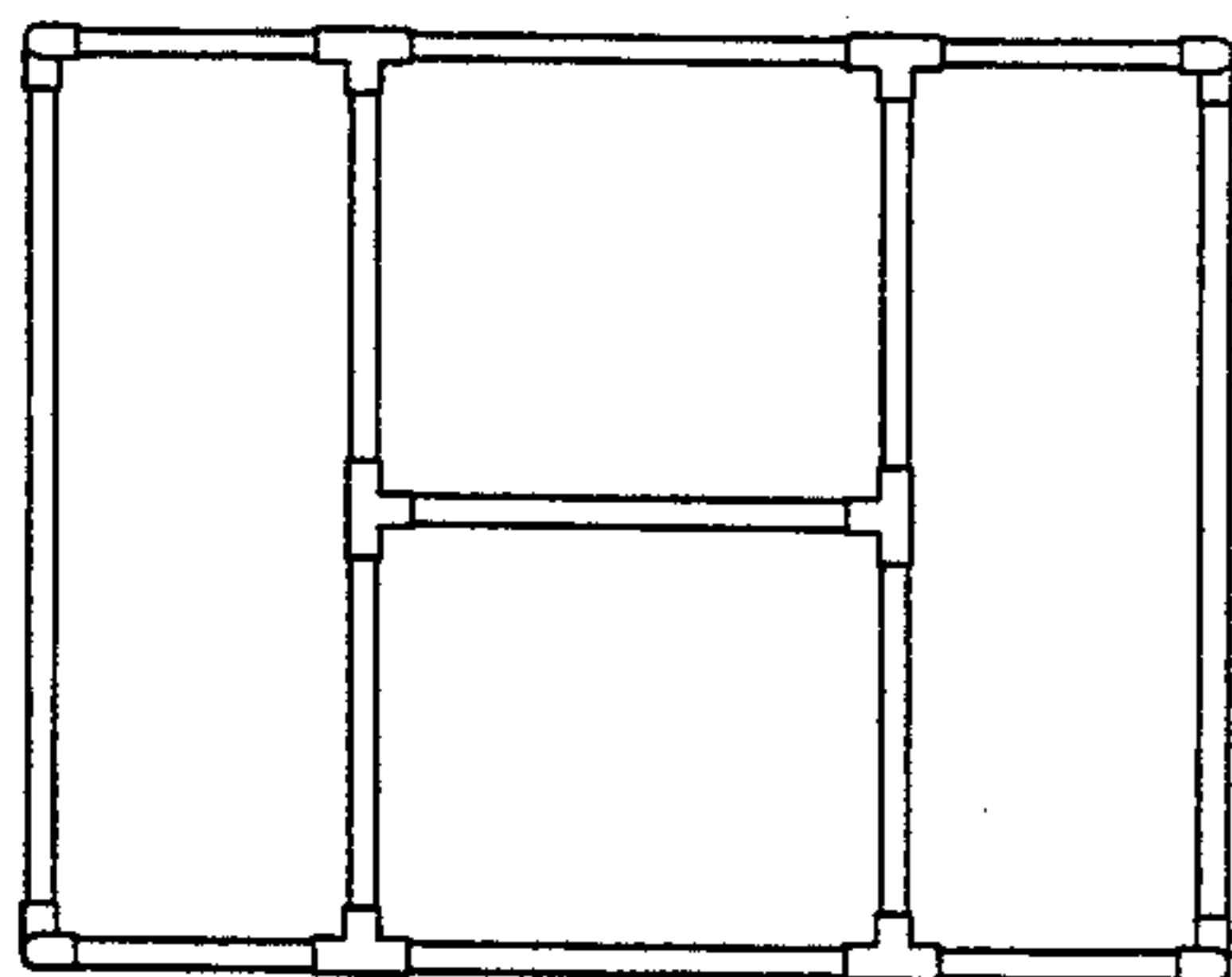


FIG. 2

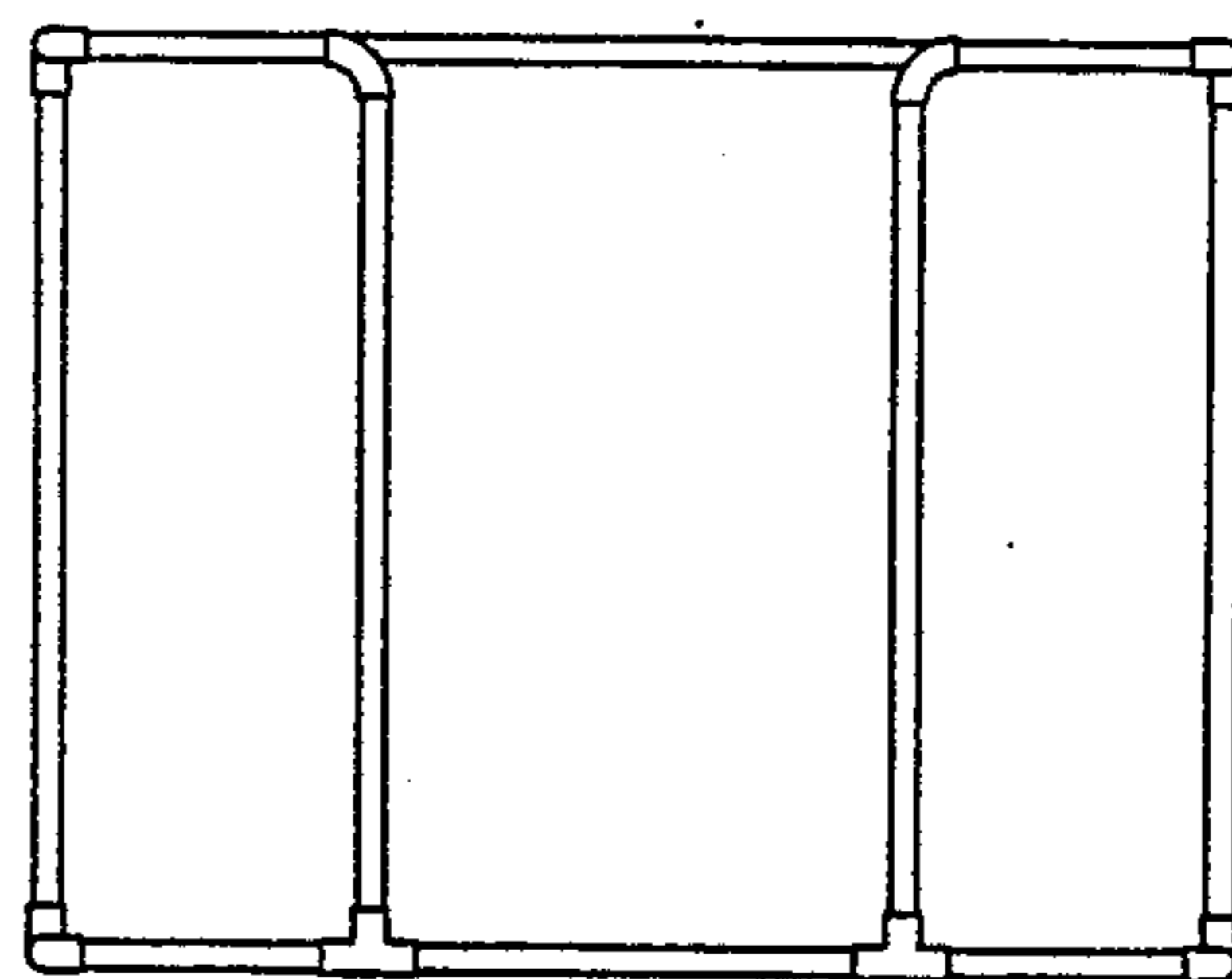


FIG. 3

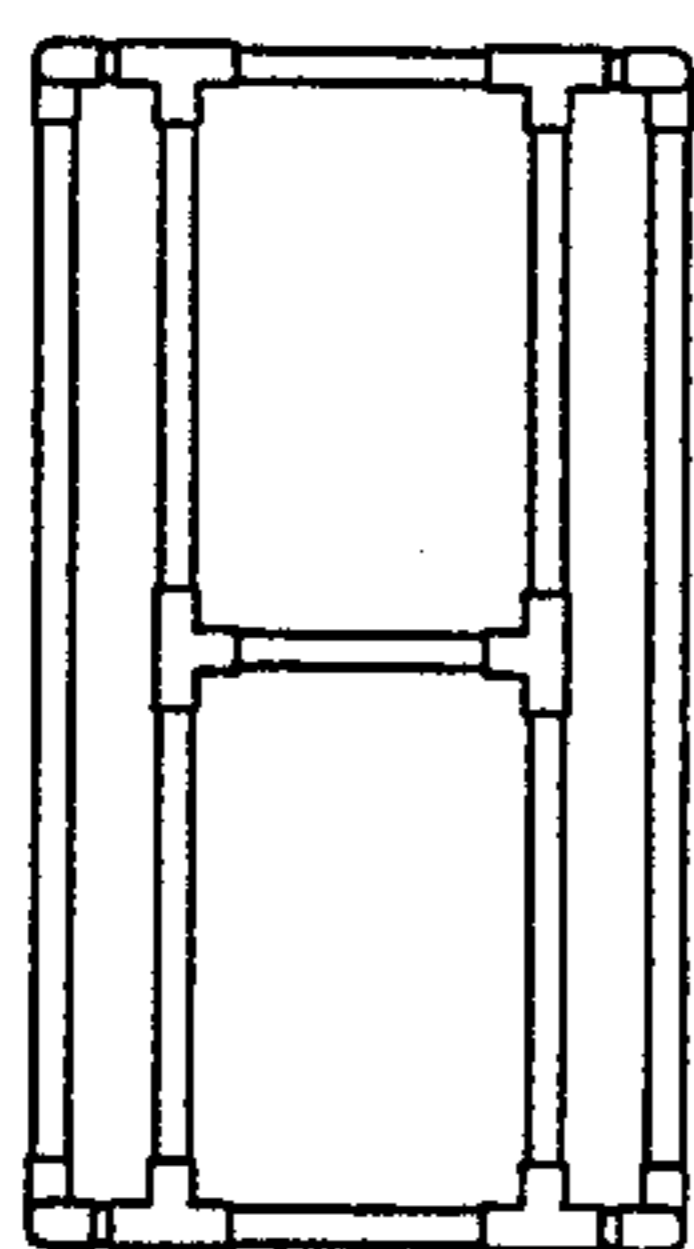


FIG. 4

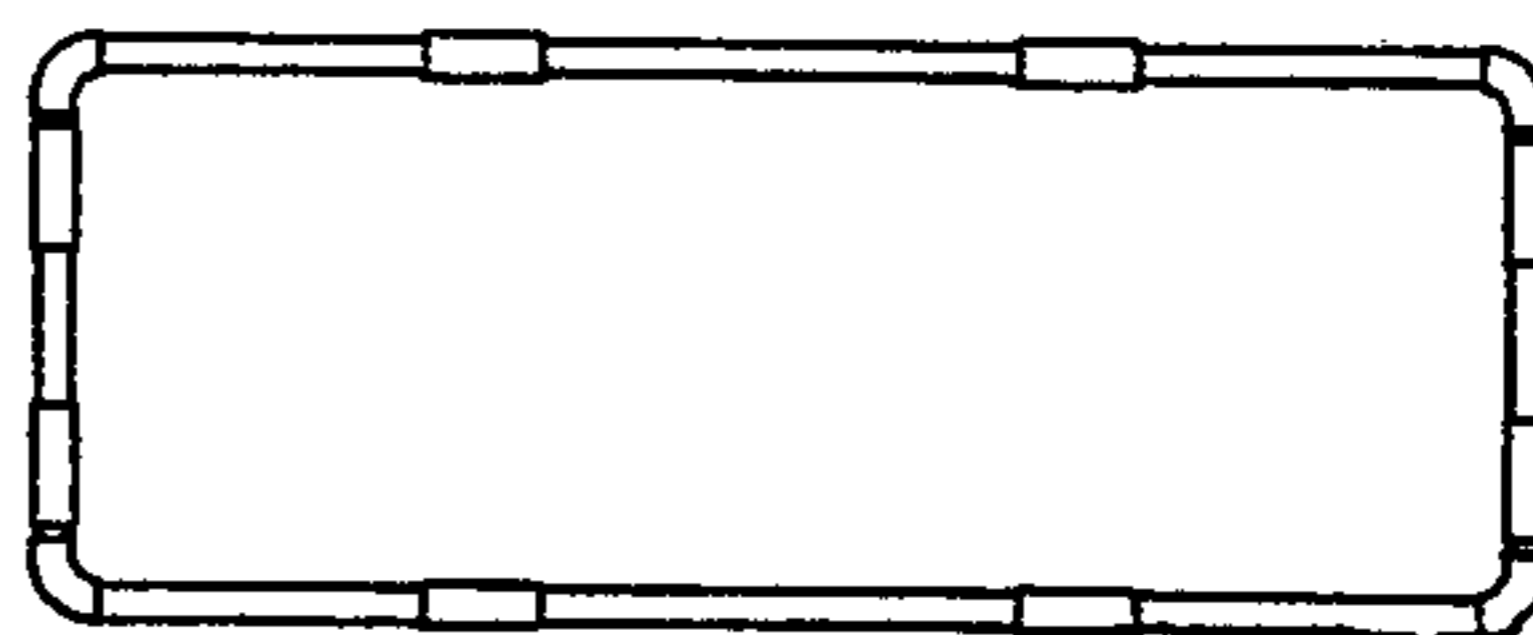


FIG. 5