



US00D337005S

United States Patent [19]

[11] Patent Number: **Des. 337,005**

Culverhouse

[45] Date of Patent: **** Jul. 6, 1993**

[54] **COMBINATION STORAGE CONTAINER AND INTERLOCKING DISC FOR RECORDINGS**

| | | | | |
|-----------|--------|--------------------|-------|---------|
| 2,293,187 | 8/1942 | Becker | | 206/389 |
| 4,666,749 | 5/1987 | McCurry et al. | | 206/408 |
| 4,741,438 | 5/1988 | Mastronardo et al. | | 211/40 |
| 4,804,086 | 2/1989 | Grohrock | | 211/41 |

[76] Inventor: **Martin N. Culverhouse, 21-A Stoke Road, Stough, Berks, England**

Primary Examiner—A. Hugo Word
Assistant Examiner—Celia A. Murphy
Attorney, Agent, or Firm—Oblon, Spivak, McClelland, Maier & Neustadt

[**] Term: **14 Years**

[21] Appl. No.: **703,341**

[57] **CLAIM**

[22] Filed: **May 21, 1991**

The ornamental design for a combination storage container and interlocking disc for recordings, as shown and described.

[52] U.S. Cl. **D6/407; D3/30.1; D3/35; D3/74; D6/407; D6/469**

[58] Field of Search **D3/30.1, 35, 74, 99; D6/466, 469, 470, 397, 475; 206/387, 389, 408; 211/40, 41**

DESCRIPTION.

[56] **References Cited**

U.S. PATENT DOCUMENTS

| | | | | |
|------------|---------|------------|-------|---------|
| D. 169,077 | 3/1953 | Mains, Jr. | | D6/469 |
| D. 233,086 | 10/1974 | Gismondi | | D6/469 |
| D. 266,129 | 9/1982 | Lidstrom | | D6/469 |
| D. 289,105 | 4/1987 | Sussman | | D3/30.1 |
| D. 304,401 | 11/1989 | Wagner | | D6/469 |
| D. 310,607 | 9/1990 | Denna | | D6/470 |
| D. 318,369 | 7/1991 | Gilman | | D3/35 |

FIG. 1 is an exploded perspective view of a combination storage container and interlocking disc for recordings showing my new design, the side of the interlocking disc which is not shown being a mirror image of the visible side;

FIG. 2 is a right side elevational view thereof, the left side being a mirror image;

FIG. 3 is a top plan view thereof, the bottom plan view being a mirror image;

FIG. 4 is a rear elevational view thereof; and,

FIG. 5 is a front elevational view thereof.

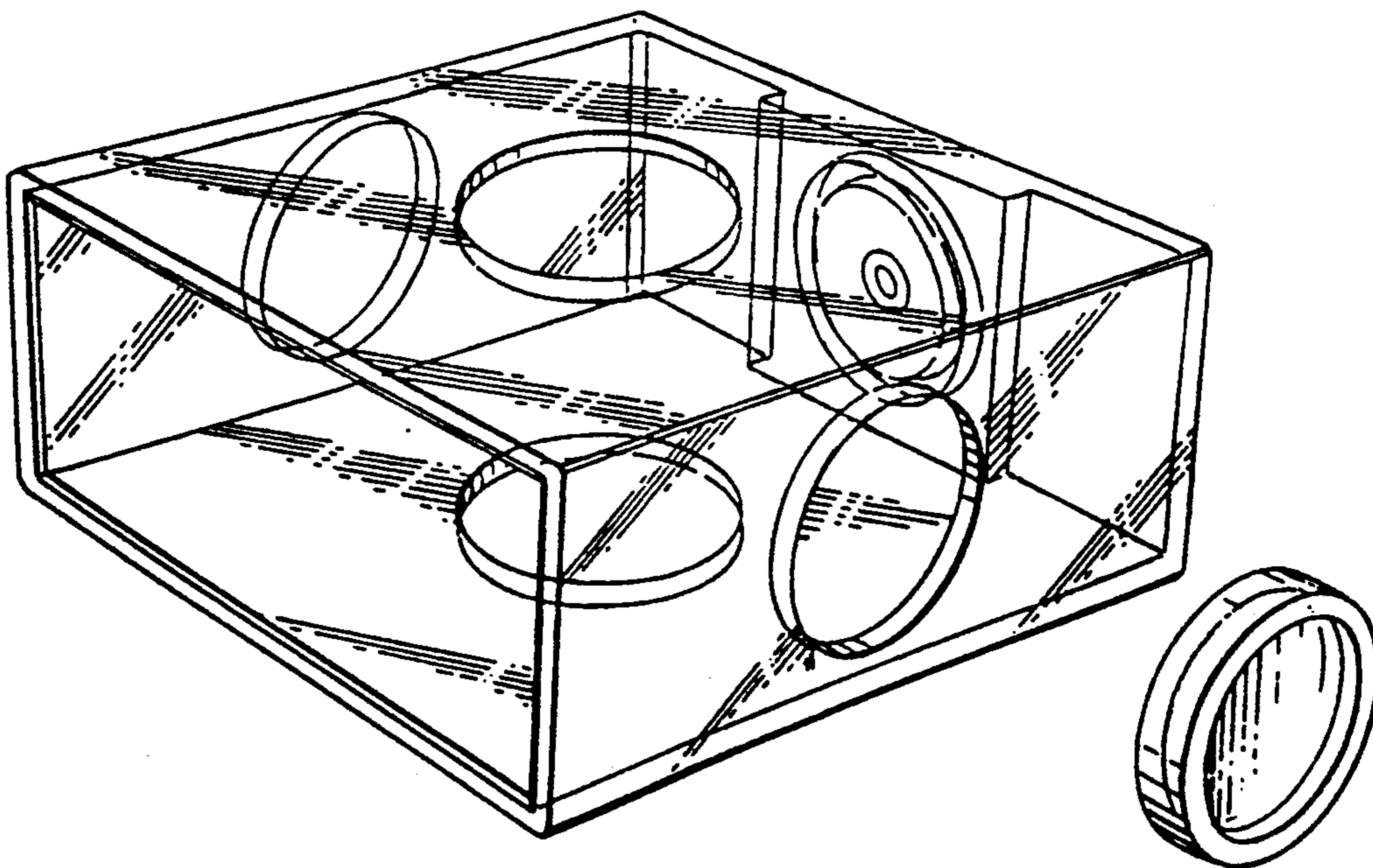


FIG. 1

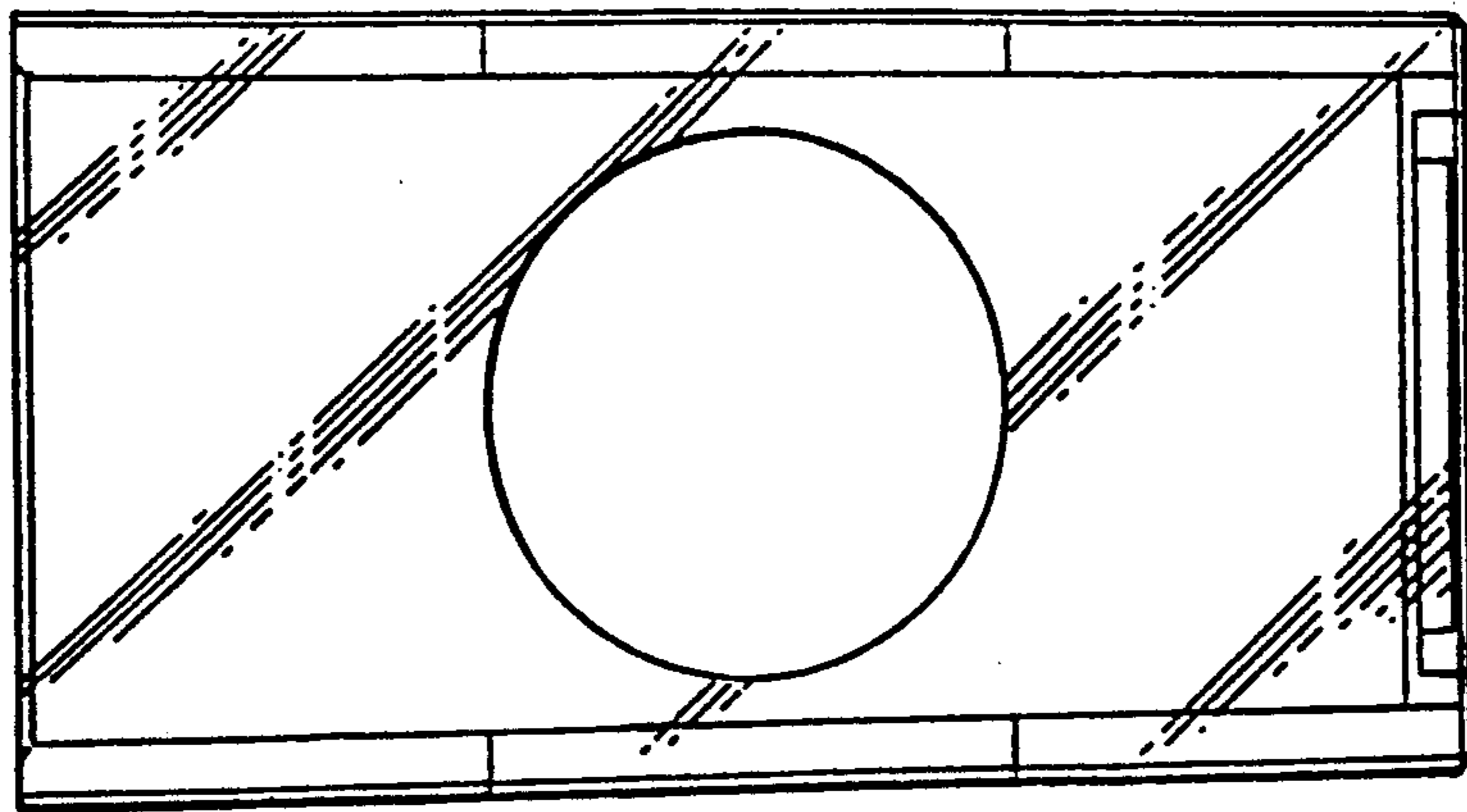
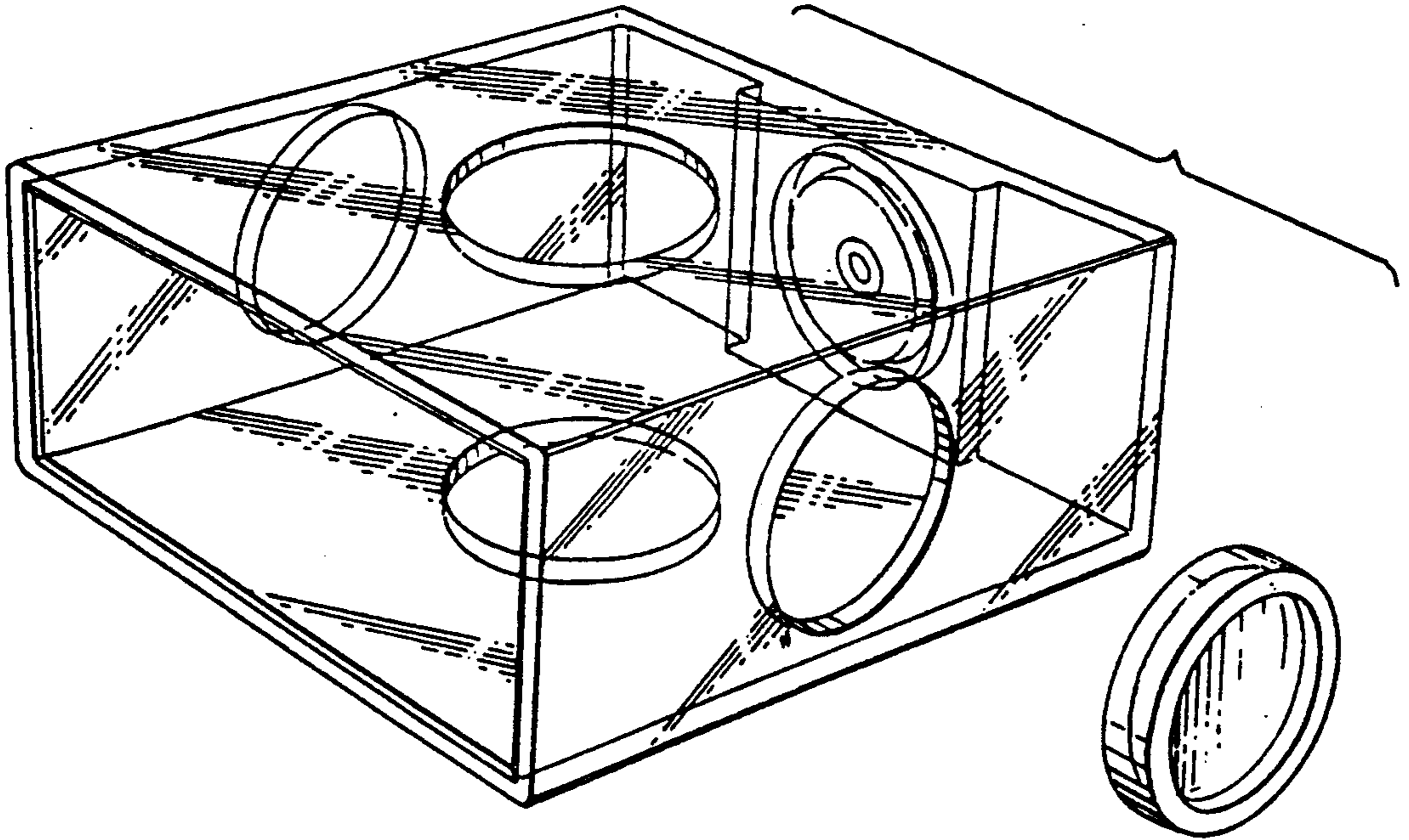


FIG. 2

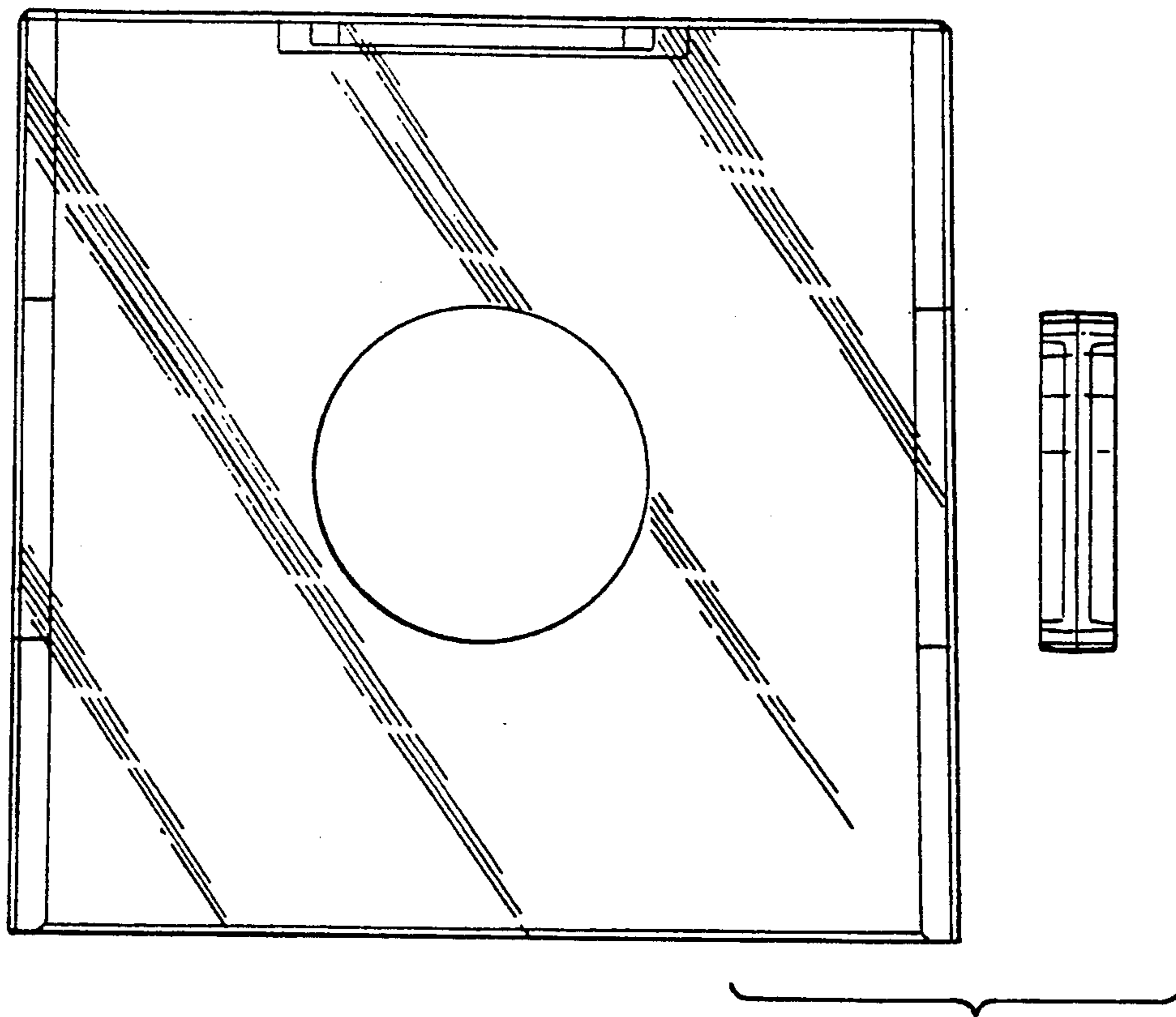


FIG. 3

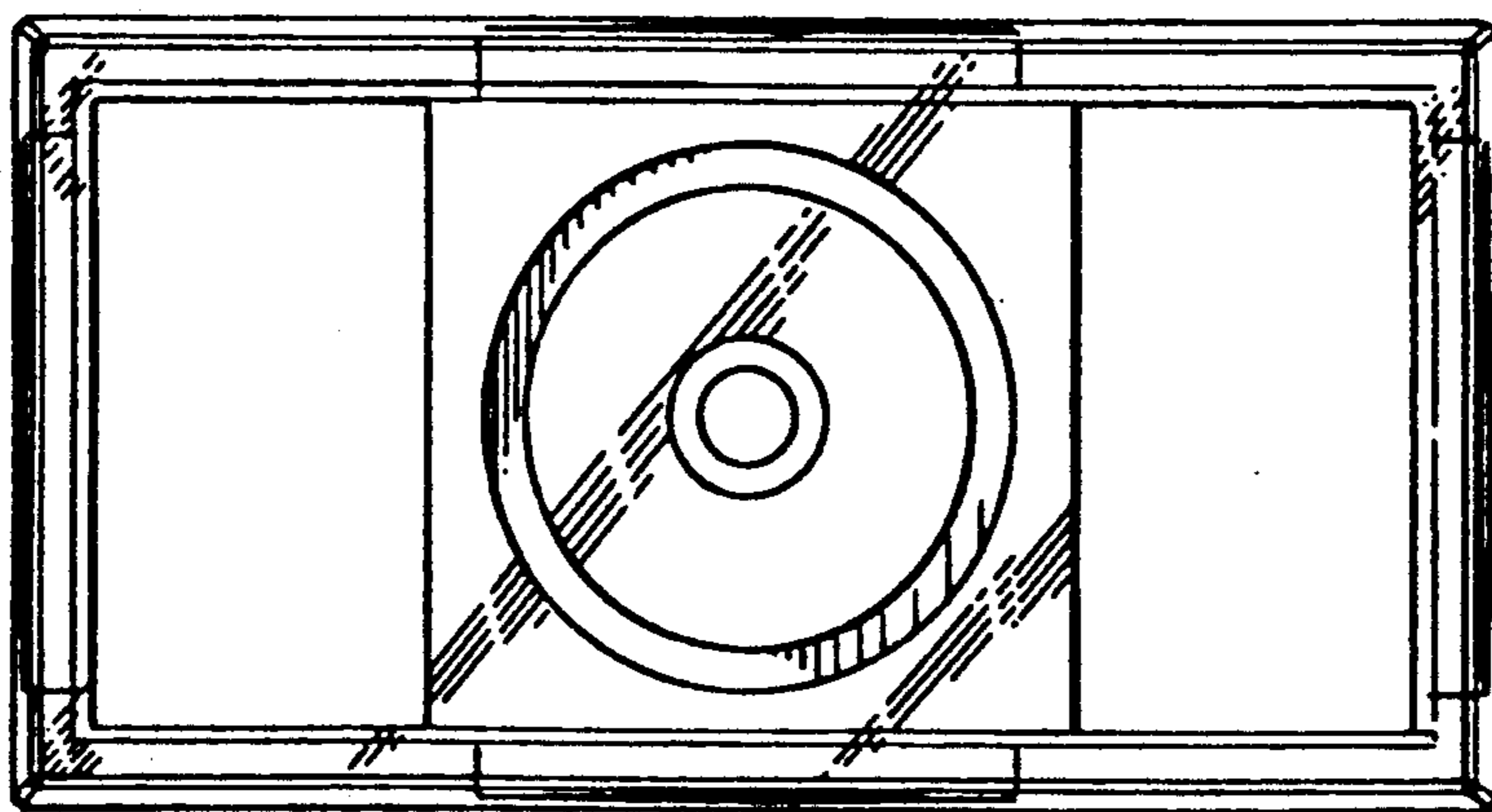


FIG. 4

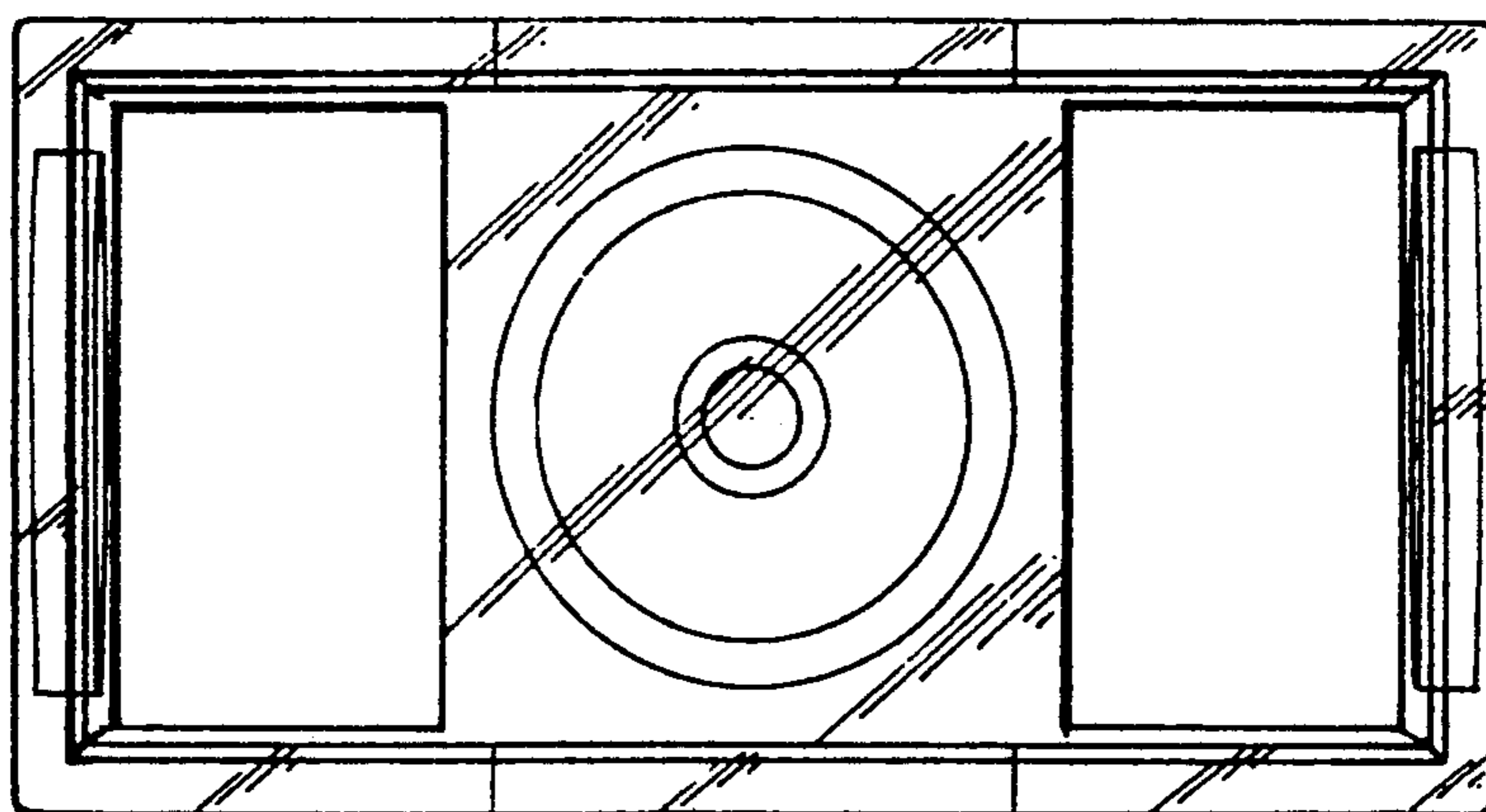


FIG. 5