



US00D337001S

# United States Patent [19]

[11] Patent Number: **Des. 337,001**

Grosfillex

[45] Date of Patent: **\*\* Jul. 6, 1993**

[54] **ARMCHAIR**

D. 323,249 1/1992 Schwartz ..... D6/370  
D. 325,304 4/1992 Grosfillex ..... D6/370

[75] Inventor: **Raymond Grosfillex, Oyonnax, France**

[73] Assignee: **Grosfillex SARL, Oyonnax, France**

[\*] Notice: The portion of the term of this patent subsequent to Dec. 8, 2006 has been disclaimed.

[\*\*] Term: **14 Years**

[21] Appl. No.: **421,727**

[22] Filed: **Oct. 16, 1989**

[30] **Foreign Application Priority Data**

Sep. 28, 1989 [WO] World Int. Prop. O. .... DM/014248

[52] U.S. Cl. .... **D6/370; D6/379**

[58] Field of Search ..... **D6/334, 368, 370, 371, D6/372, 373, 374, 375, 376, 379, 380, 381, 500, 501; 297/239, DIG. 2**

[56] **References Cited**

**U.S. PATENT DOCUMENTS**

D. 100,182	6/1936	Terker .....	D6/379
D. 277,908	3/1985	Liisberg .....	D6/373
D. 282,027	1/1986	Schultz .....	D6/373
D. 291,161	8/1987	Hubert .....	D6/370
D. 298,787	12/1988	Greene .....	D6/373
D. 300,588	4/1989	White .....	D6/379

**OTHER PUBLICATIONS**

Washington Post Magazine, Woodward & Lothrop ad, Apr. 1983, p. 50, Chair shown at mid-page left.  
Madison Furn. Indus., Shelby Williams Furn. Group, Oct. 1985, Chair shown.  
Brown Jordan, ©1986, p. 31, Chair #1770-2400 at bottom right.  
Schöner Wohnen, May 1987, p. 132, Chair #2 at mid-page, second from left.

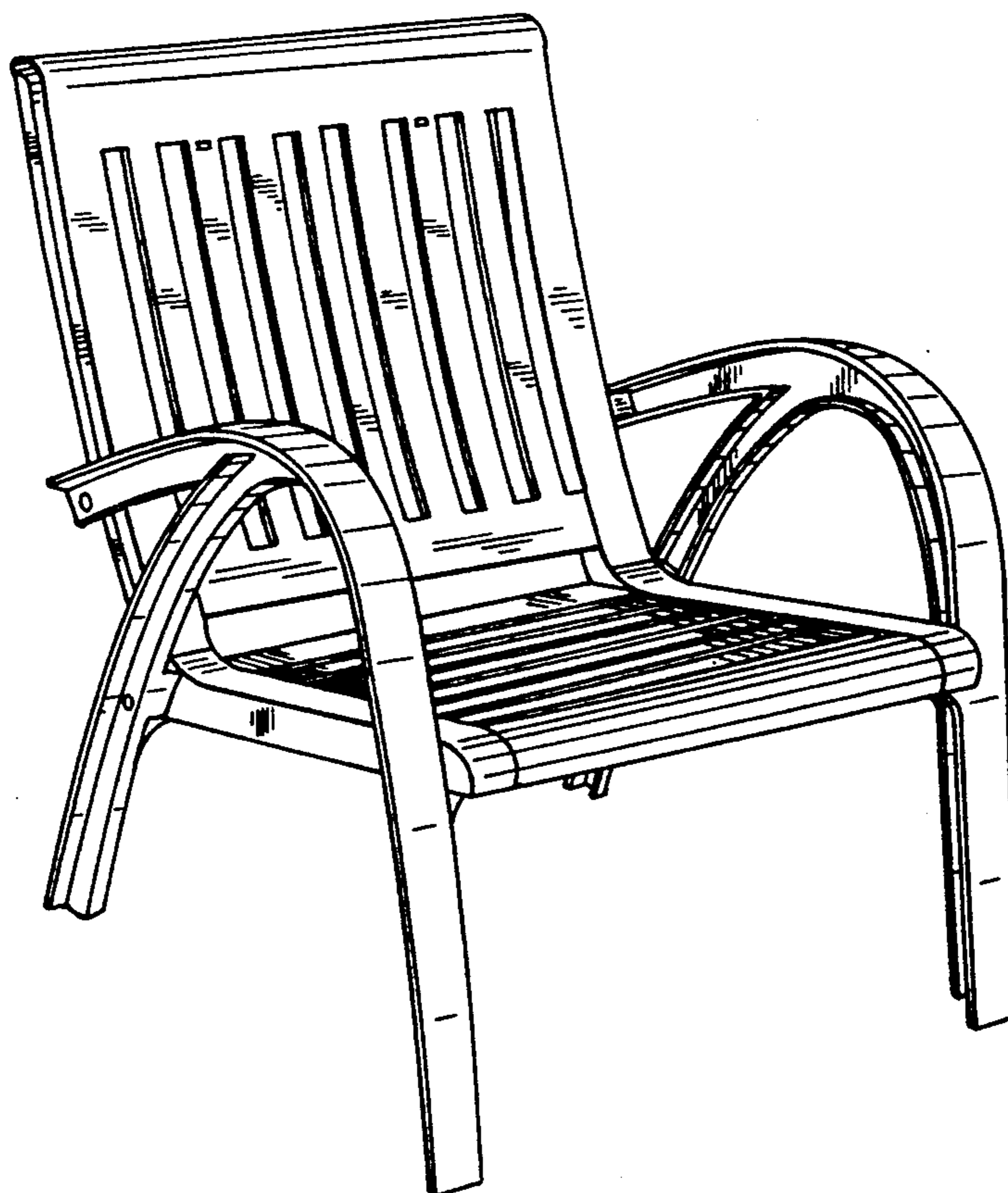
*Primary Examiner*—Alan P. Douglas  
*Assistant Examiner*—Gary D. Watson  
*Attorney, Agent, or Firm*—Dowell & Dowell

[57] **CLAIM**

The ornamental design for an armchair, as shown and described.

**DESCRIPTION**

FIG. 1 is a left-front perspective view of an armchair showing my new design;  
FIG. 2 is a front perspective view;  
FIG. 3 is a rear perspective view;  
FIG. 4 is a left side perspective view, the right side being a mirror image thereof;  
FIG. 5 is a top perspective view; and,  
FIG. 6 is a bottom perspective view thereof.



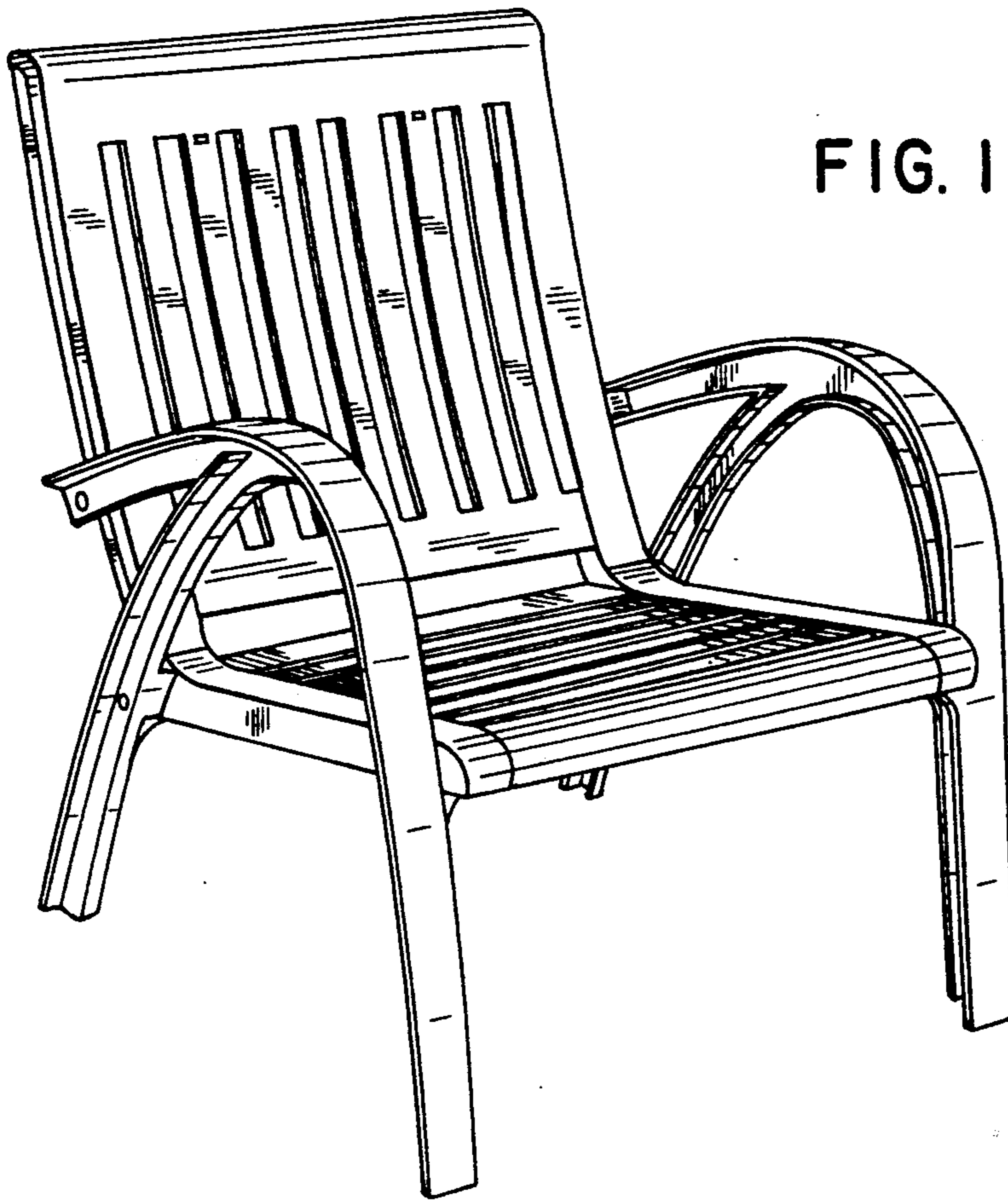


FIG. 1

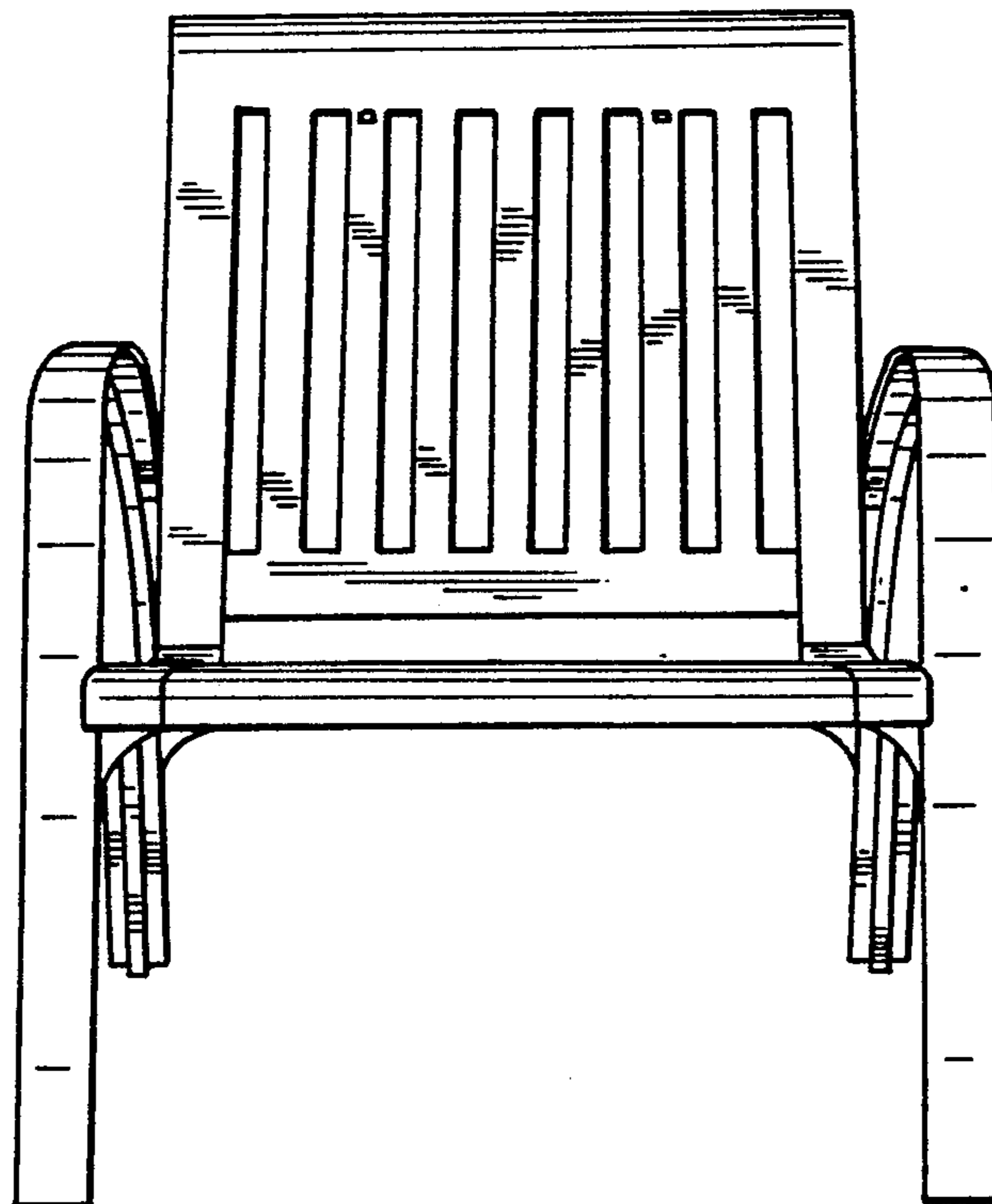


FIG. 2

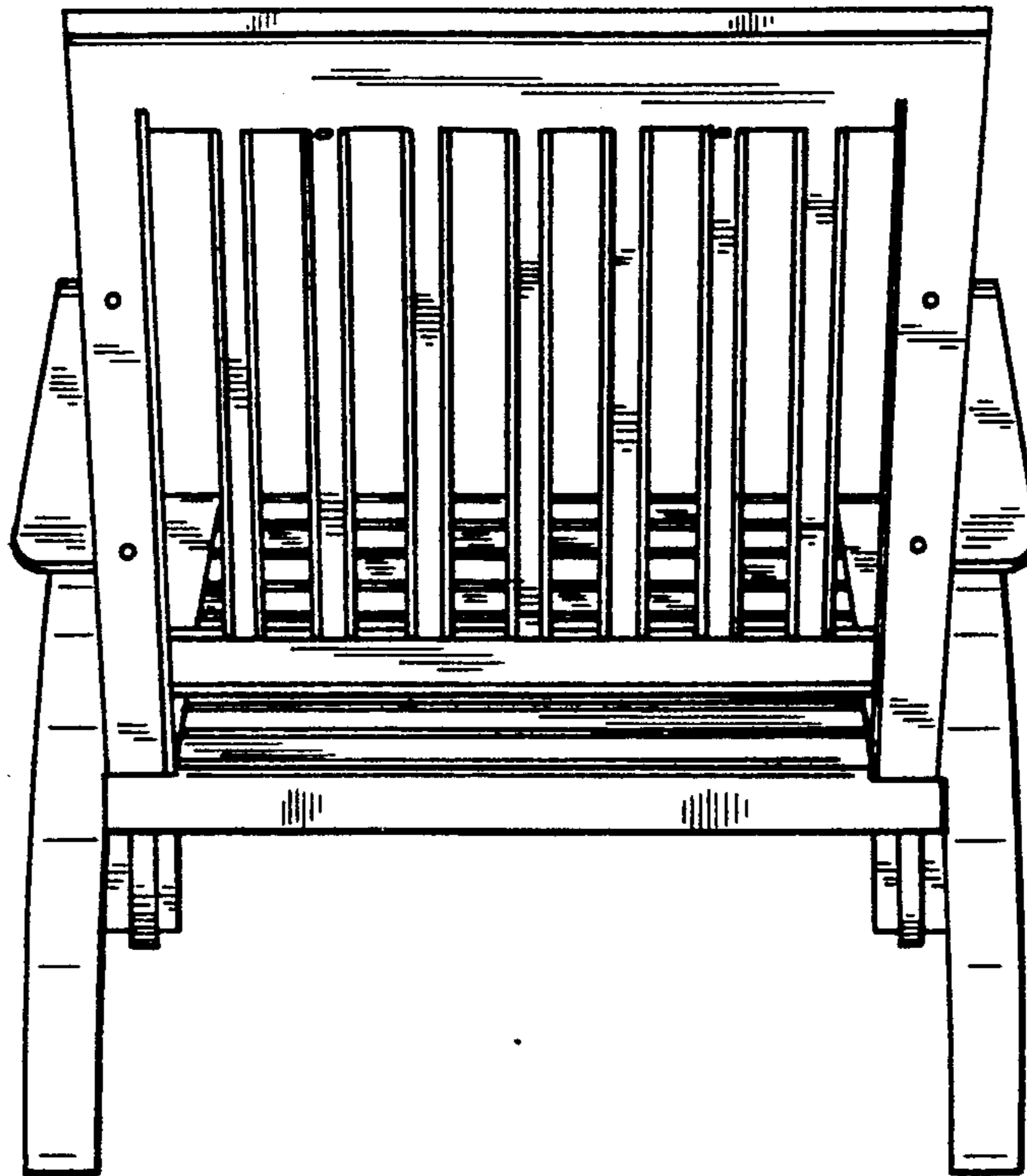


FIG. 3

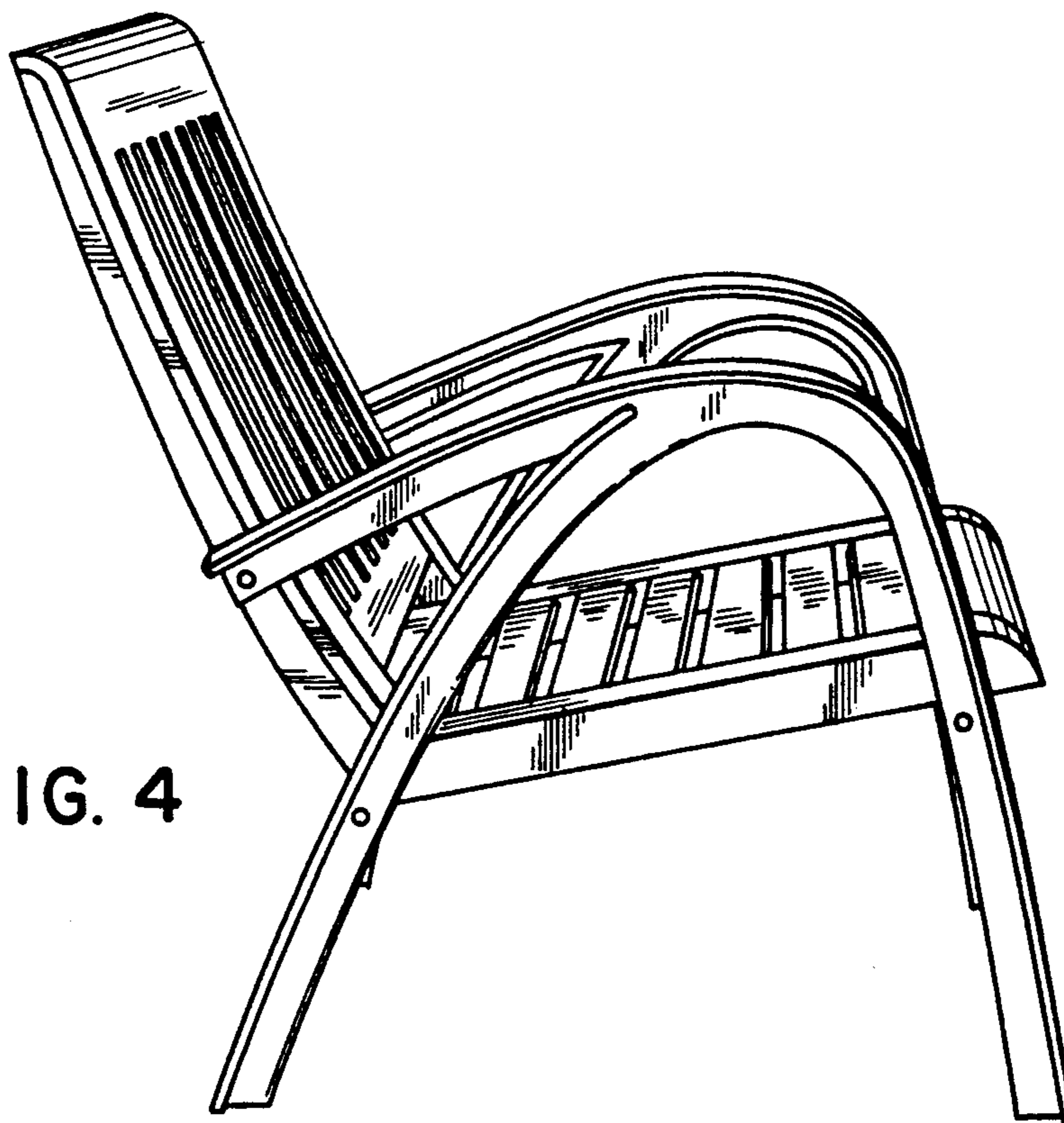


FIG. 4

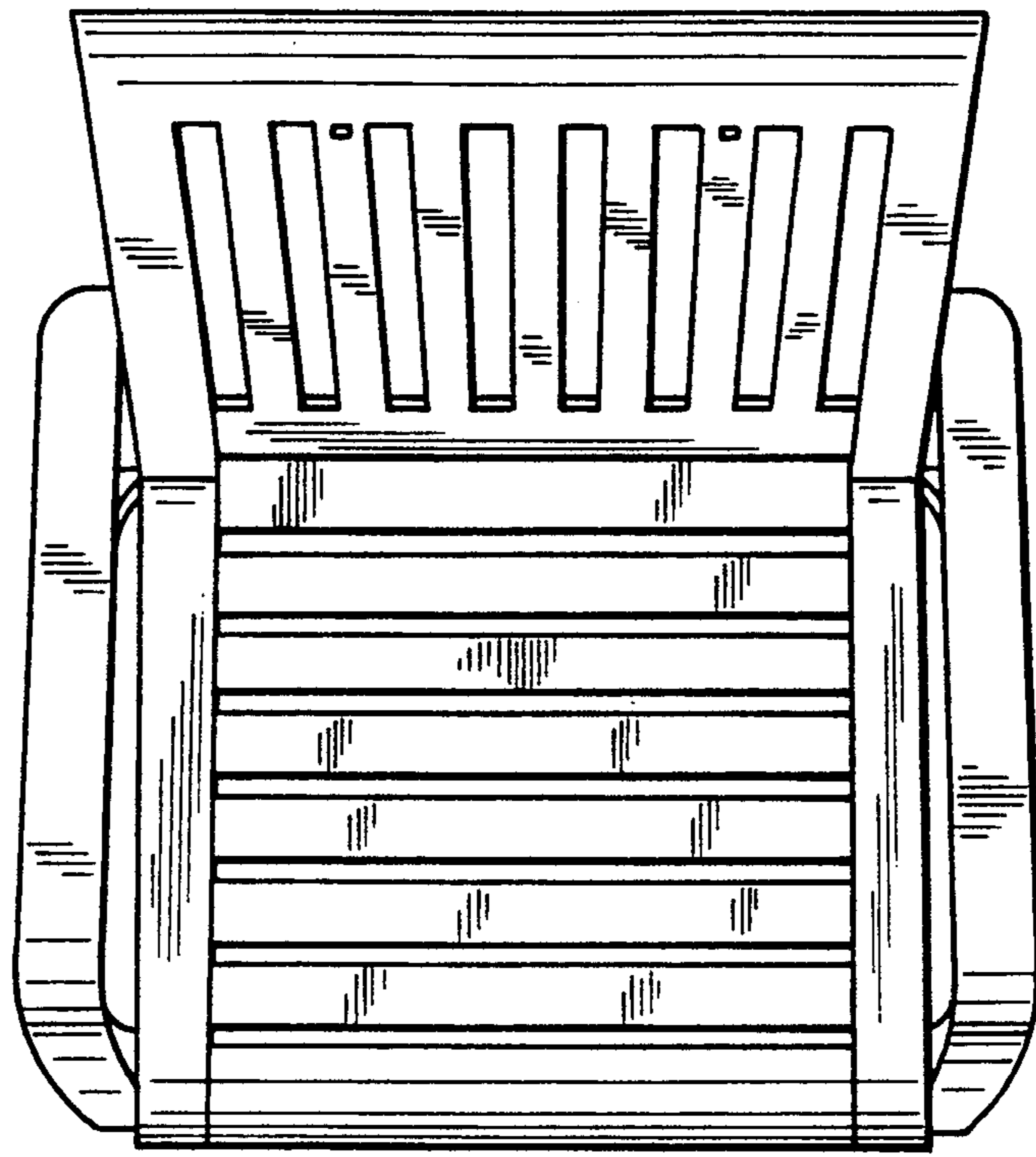


FIG. 5

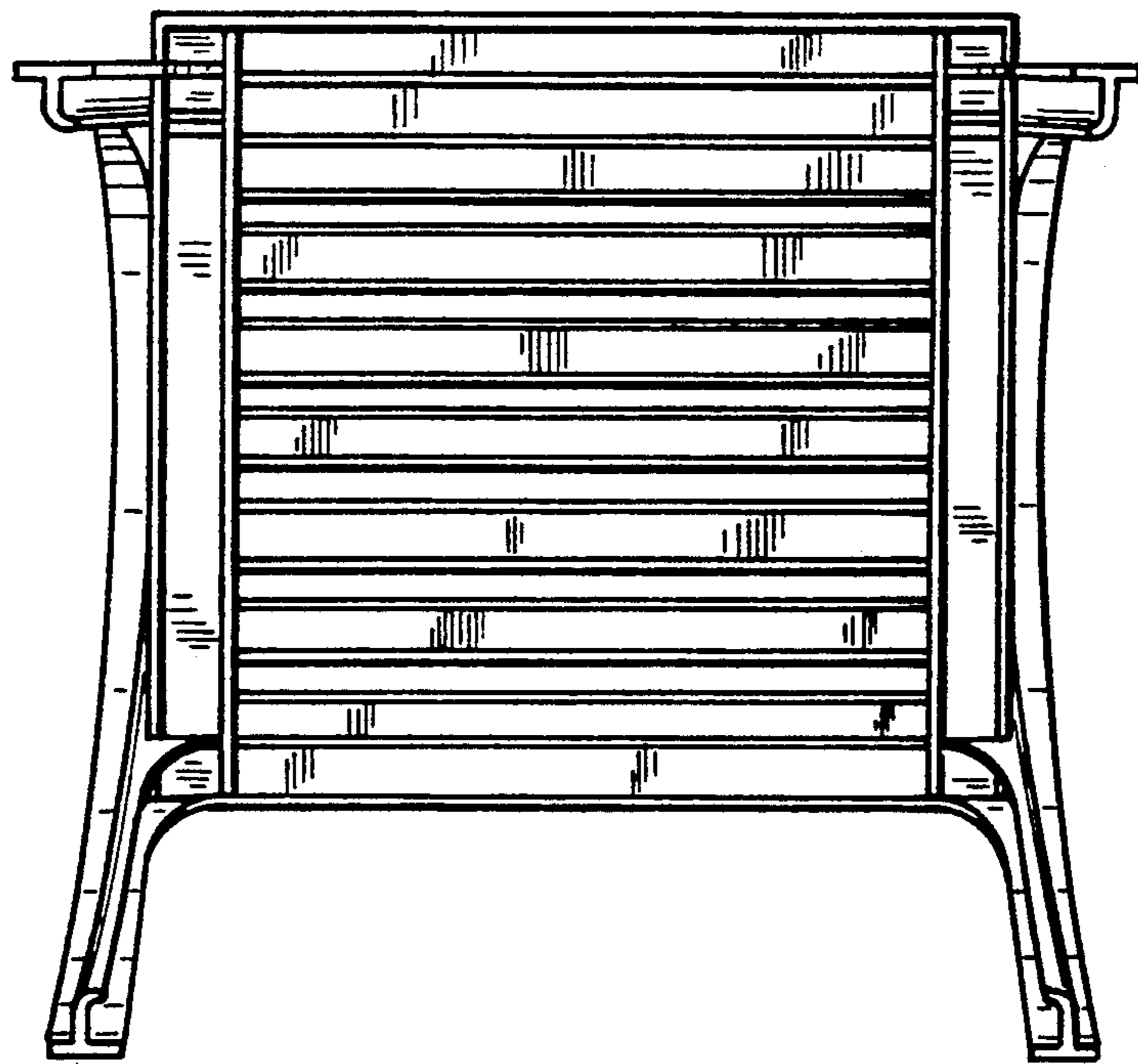


FIG. 6