



US00D336997S

# United States Patent [19]

[11] Patent Number: **Des. 336,997**

**Williams**

[45] Date of Patent: **\*\* Jul. 6, 1993**

[54] BICYCLE SEAT

5,020,851 6/1991 Chen ..... 297/195

[76] Inventor: **Daniel J. Williams, 2608 7th Ave. N.,  
Great Falls, Mont. 59401**

### FOREIGN PATENT DOCUMENTS

244495 4/1947 Switzerland .

[\*\*] Term: **14 Years**

*Primary Examiner*—Wallace R. Burke  
*Assistant Examiner*—Melody Brown  
*Attorney, Agent, or Firm*—Terry M. Gernstein .

[21] Appl. No.: **718,858**

[22] Filed: **Jun. 21, 1991**

### [57] CLAIM

[52] U.S. Cl. .... **D6/354**

The ornamental design for a bicycle seat, as shown and described.

[58] Field of Search ..... **D6/354; 280/202;  
297/195, 199**

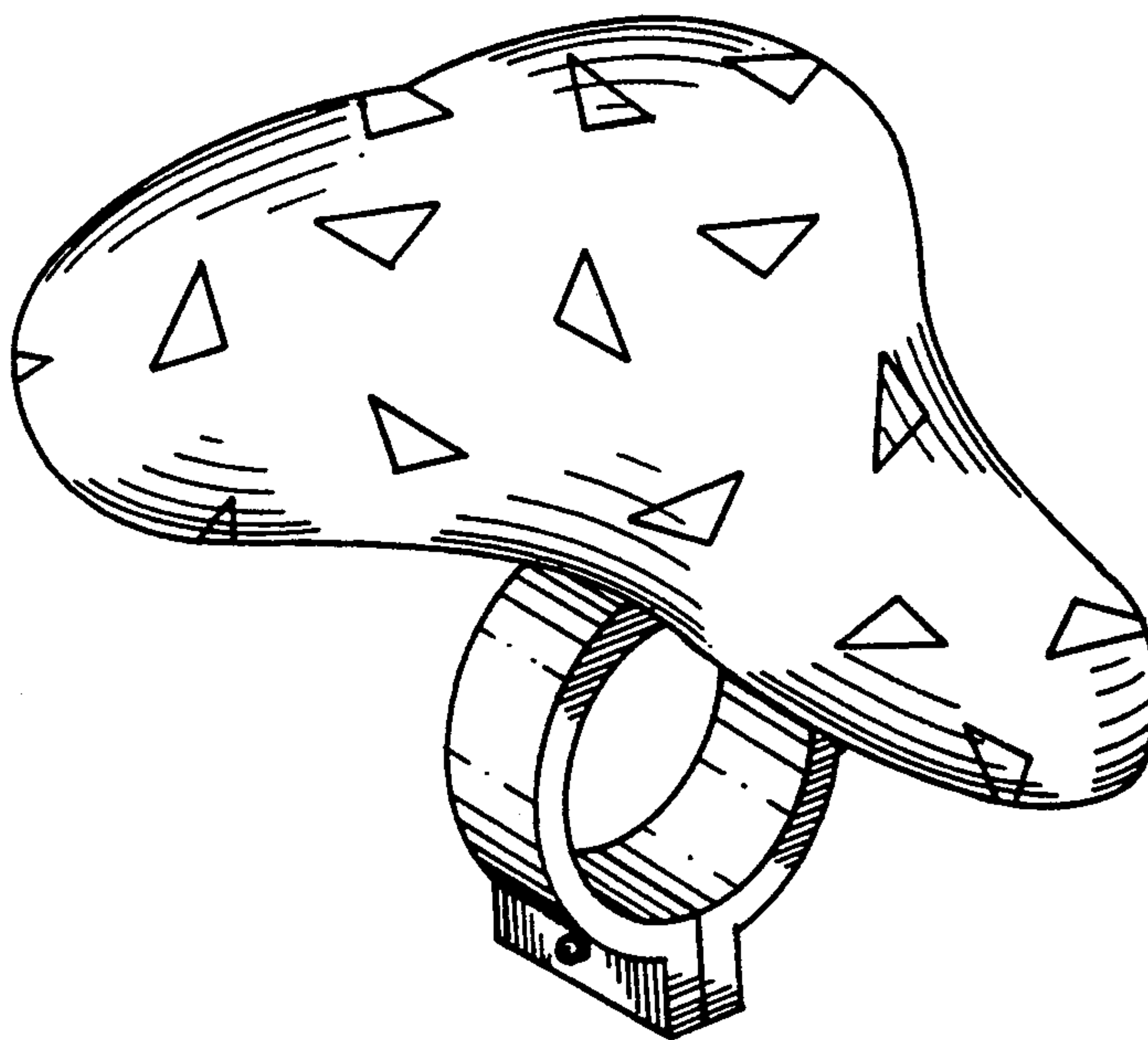
### [56] References Cited

#### U.S. PATENT DOCUMENTS

3,902,737	9/1975	Berger .....	280/202
4,546,991	10/1985	Allen et al. ....	297/195
4,611,851	9/1986	Noyes et al. ....	297/199
4,632,453	12/1986	Robbin .....	280/202
4,969,658	11/1990	Levarek .....	280/202
5,007,675	4/1991	Musto et al. ....	297/195

### DESCRIPTION

FIG. 1 is a perspective view of the bicycle seat embodying the design of the present invention;  
FIG. 2 is a front elevational view thereof;  
FIG. 3 is a rear elevational view thereof;  
FIG. 4 is a side elevational view thereof, the side opposite being a mirror image of the side shown in FIG. 4;  
FIG. 5 is a top plan view thereof; and,  
FIG. 6 is a bottom view thereof.



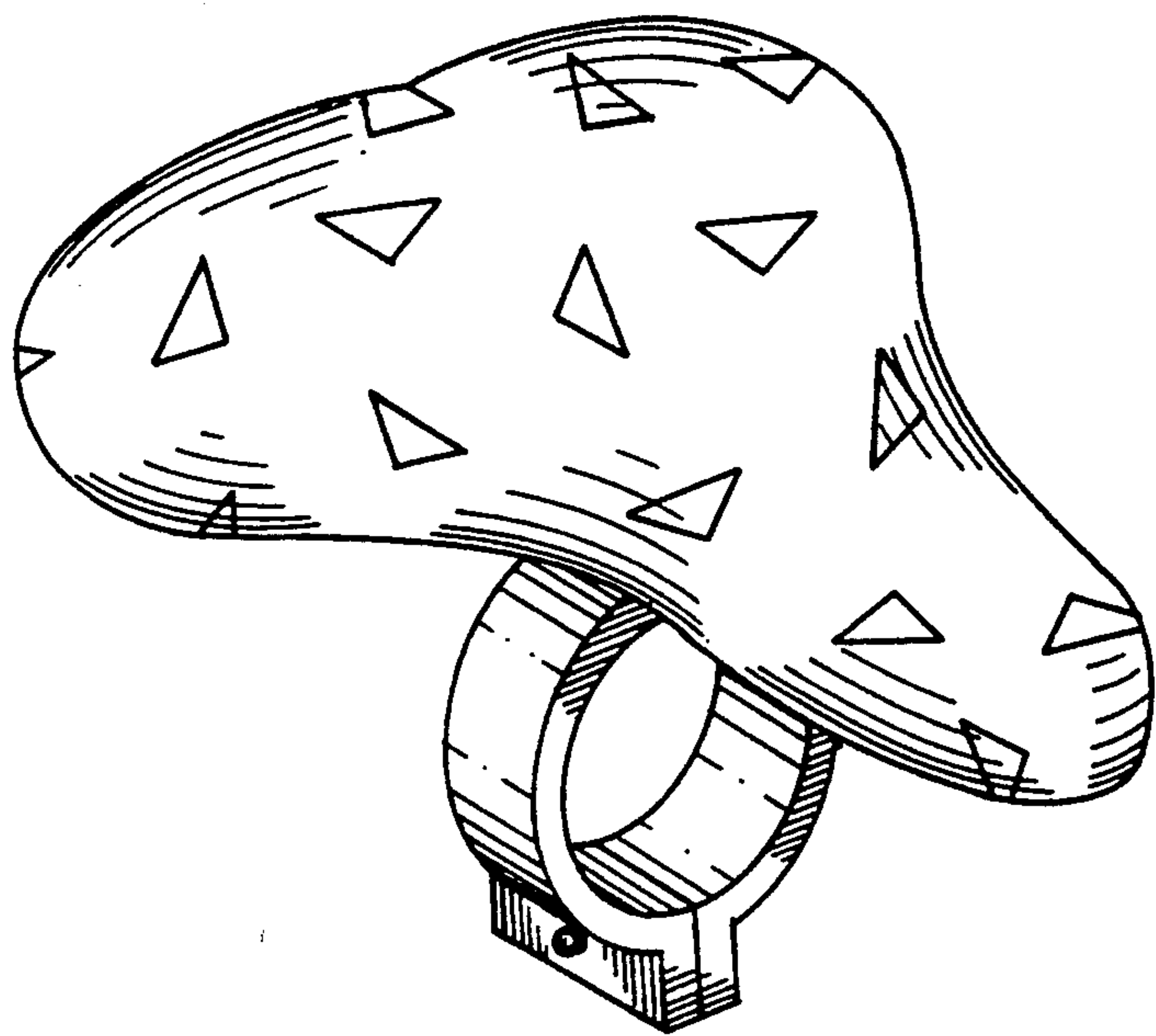


FIG. 1.

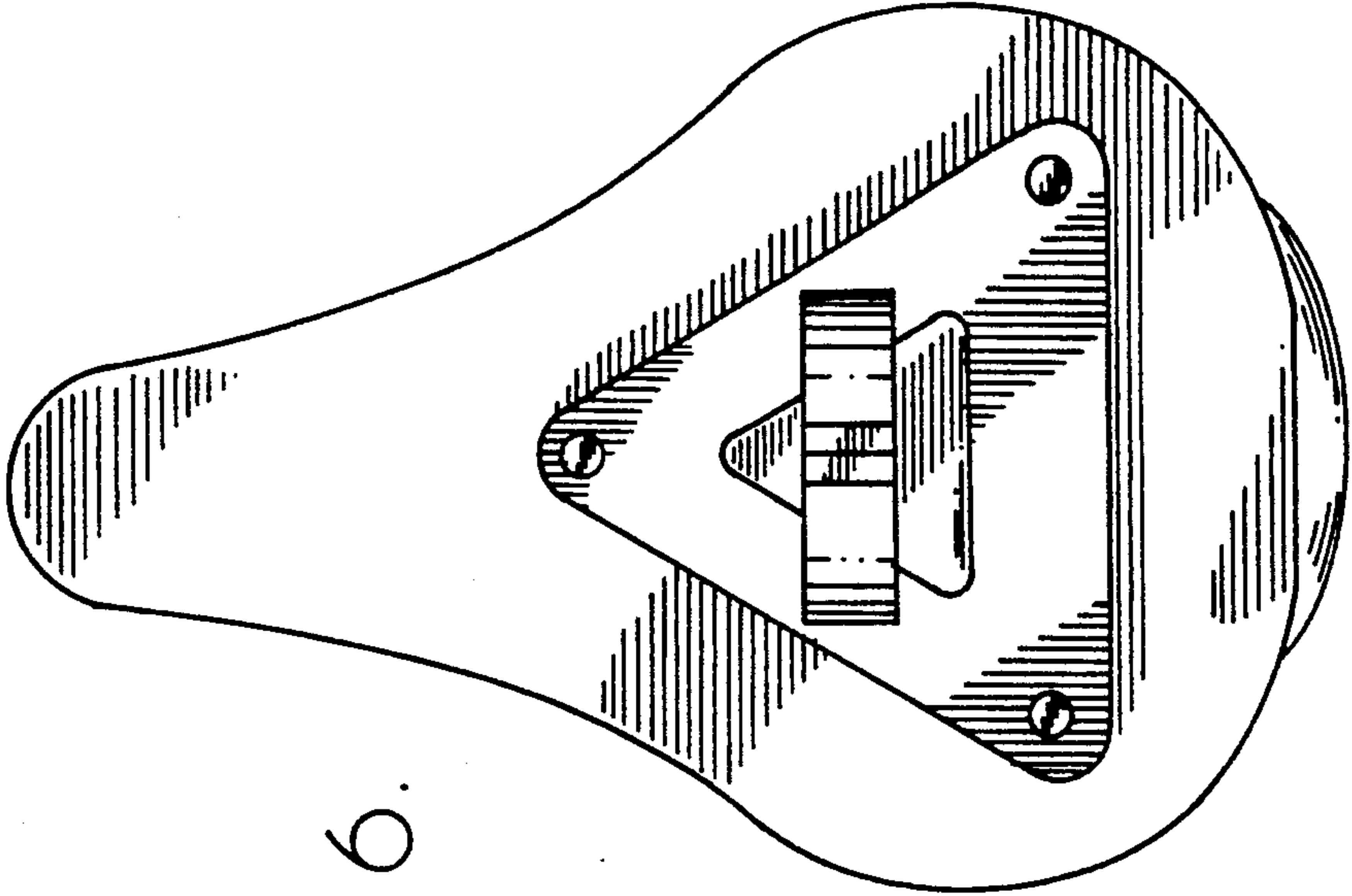


FIG. 6.

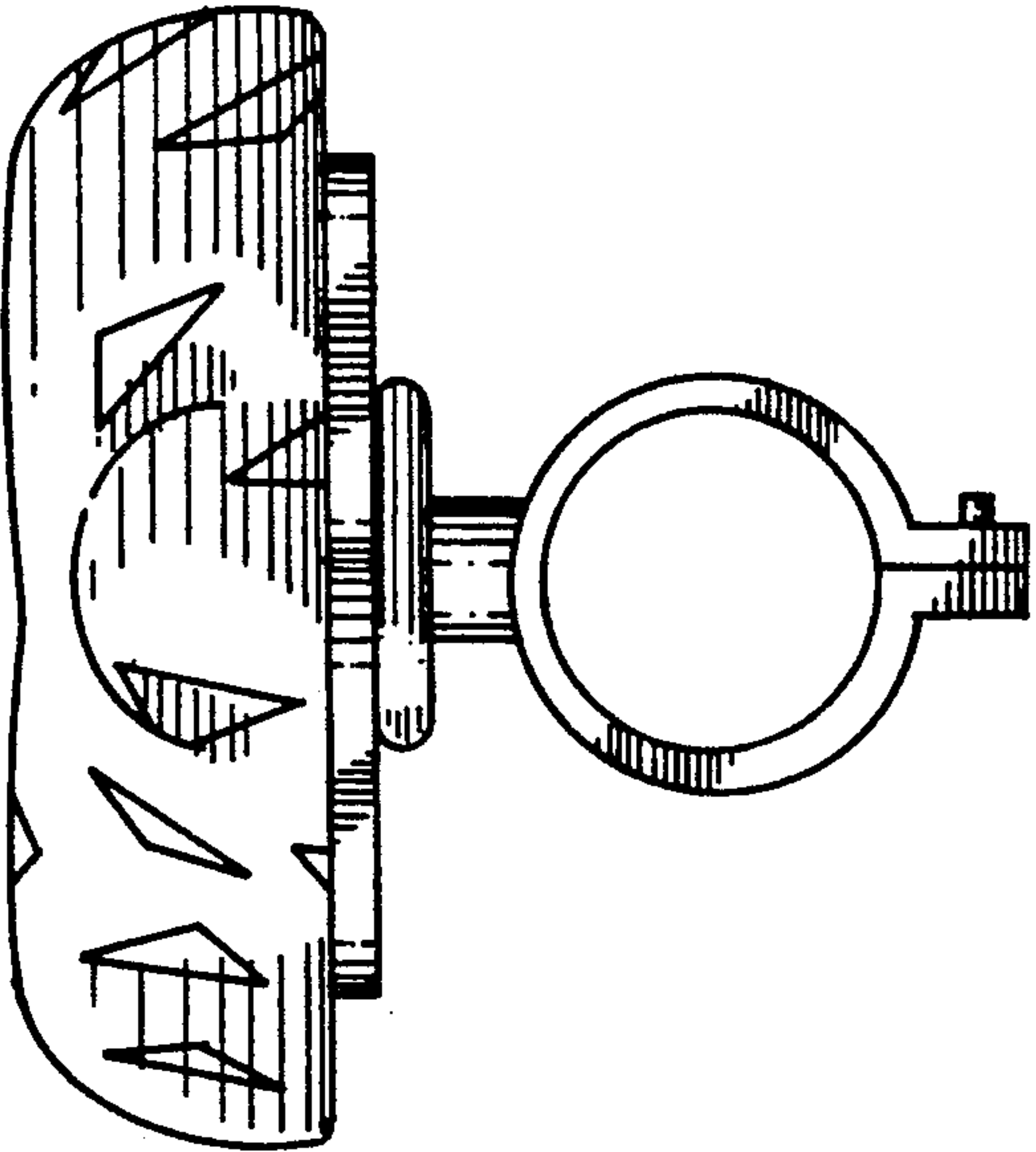


FIG. 2.

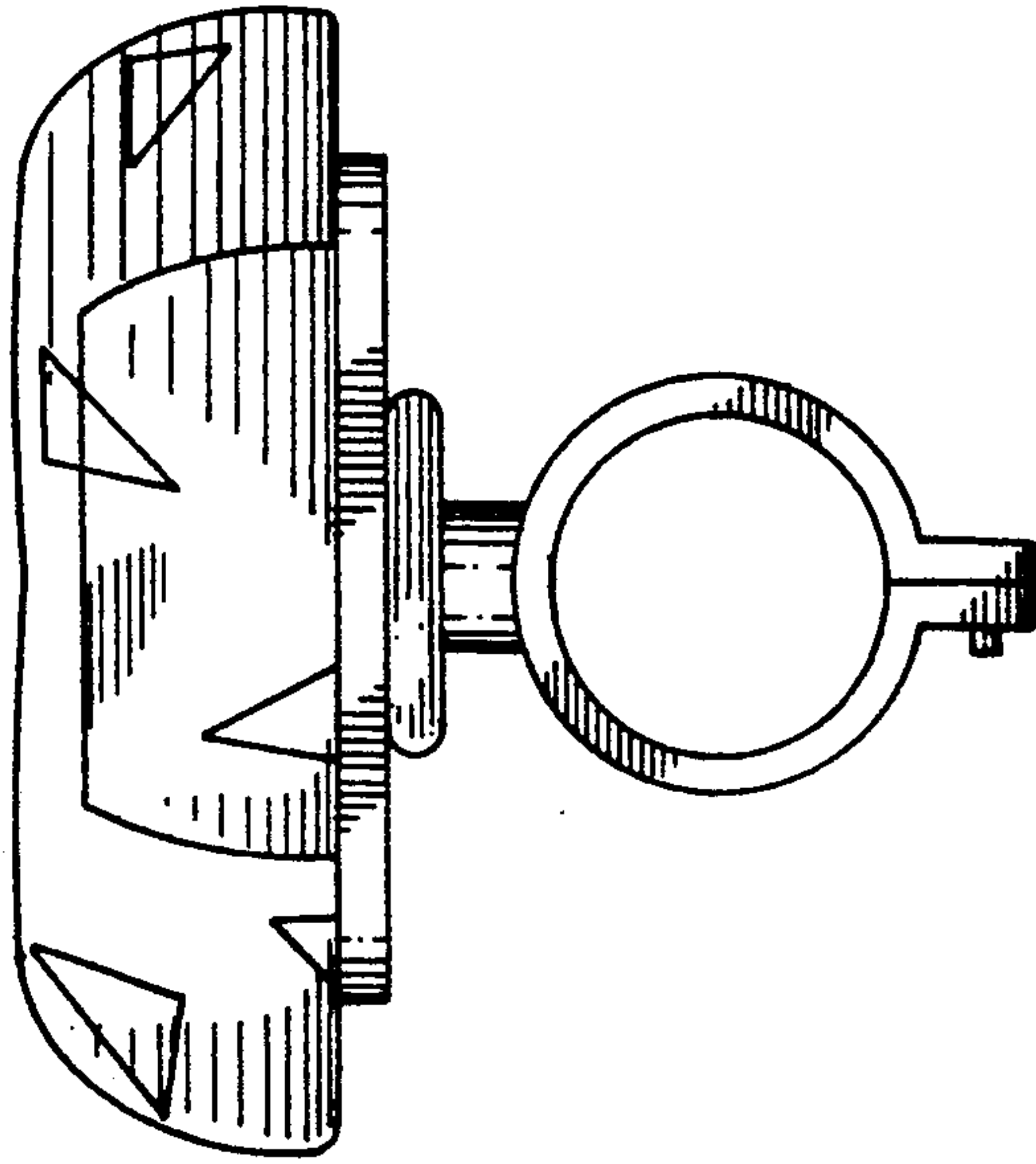


FIG. 3.

