



US00D336990S

# United States Patent [19]

[11] Patent Number: **Des. 336,990**

**Liebelt**

[45] Date of Patent: **\*\* Jul. 6, 1993**

- [54] COVER FOR CARRYING CASE
- [75] Inventor: Daniel D. Liebelt, Lake Mary, Fla.
- [73] Assignee: Leather Specialty Company, d/b/a Howe Industries, Sanford, Fla.
- [\*\*] Term: 14 Years
- [21] Appl. No.: 653,815
- [22] Filed: Feb. 11, 1991
- [52] U.S. Cl. .... D3/76
- [58] Field of Search ..... D3/73, 78, 74, 76, 77; 190/18 A, 103, 105, 111, 115, 121, 120, 900, 901, 902, 903, 100, 101, 102, 103, 104; 206/579, 315.1

- D. 303,455 9/1989 Uchiyama ..... D3/76
- D. 307,829 5/1990 Hasuike ..... D3/76
- D. 311,276 10/1990 Workman ..... D3/76
- D. 311,819 11/1990 Takeuchi ..... D3/76
- D. 319,731 9/1991 Reynolds, Jr. et al. .... D3/76
- 2,510,643 6/1950 Long ..... D3/76 X

*Primary Examiner*—B. J. Bullock  
*Assistant Examiner*—Paula A. Mortimer  
*Attorney, Agent, or Firm*—Edward M. Livingston

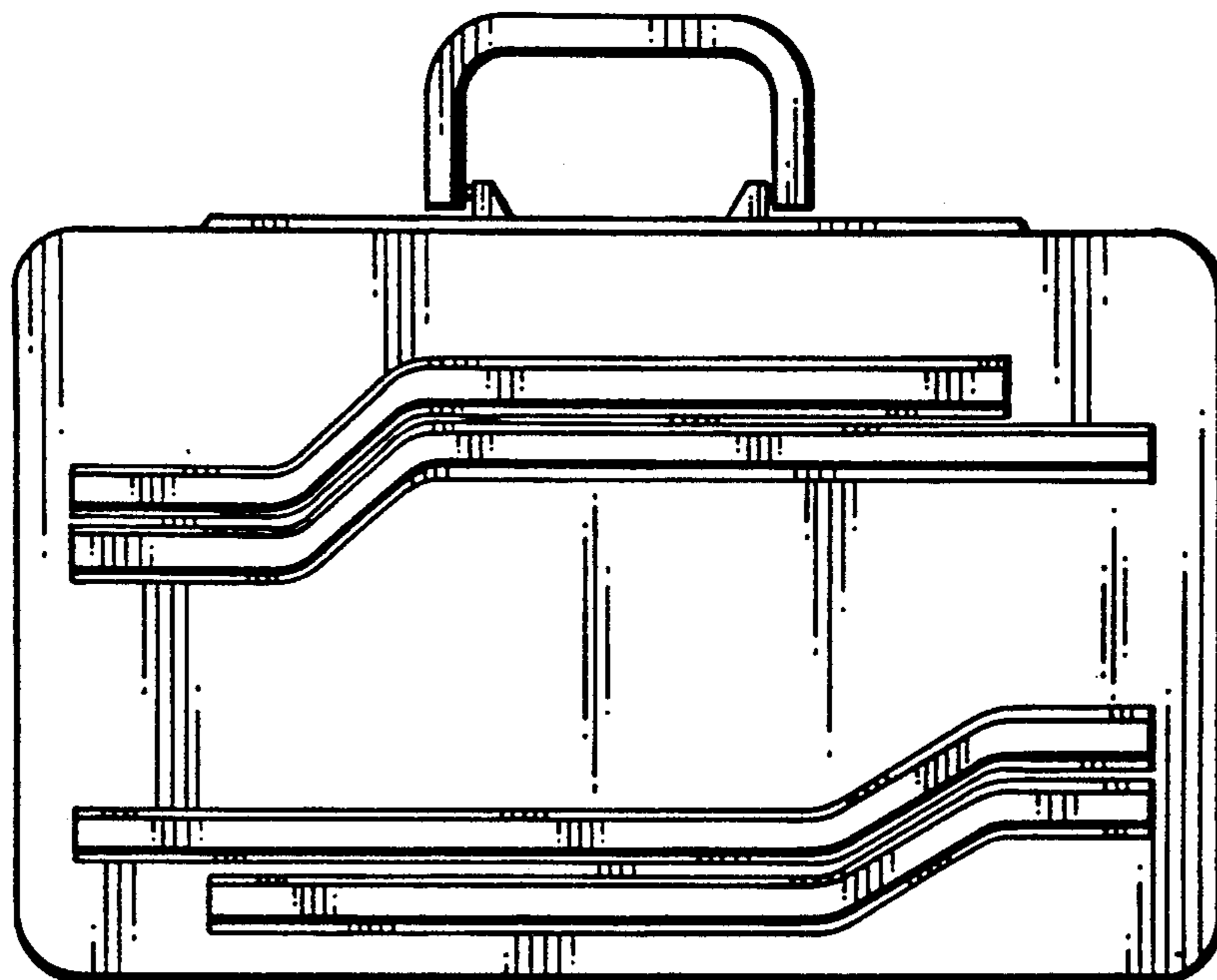
### [57] CLAIM

The ornamental design for a cover for a carrying case, as shown.

### DESCRIPTION

FIG. 1 is a front elevational view of a cover for a carrying case showing my new design;  
 FIG. 2 is a side elevational view thereof, the opposite side is a mirror image;  
 FIG. 3 is a top plan view thereof; and,  
 FIG. 4 is a bottom plan view thereof.

- [56] **References Cited**
- U.S. PATENT DOCUMENTS**
- D. 225,482 12/1972 Bamberger ..... D3/74
- D. 286,466 11/1986 King et al. .... D3/77



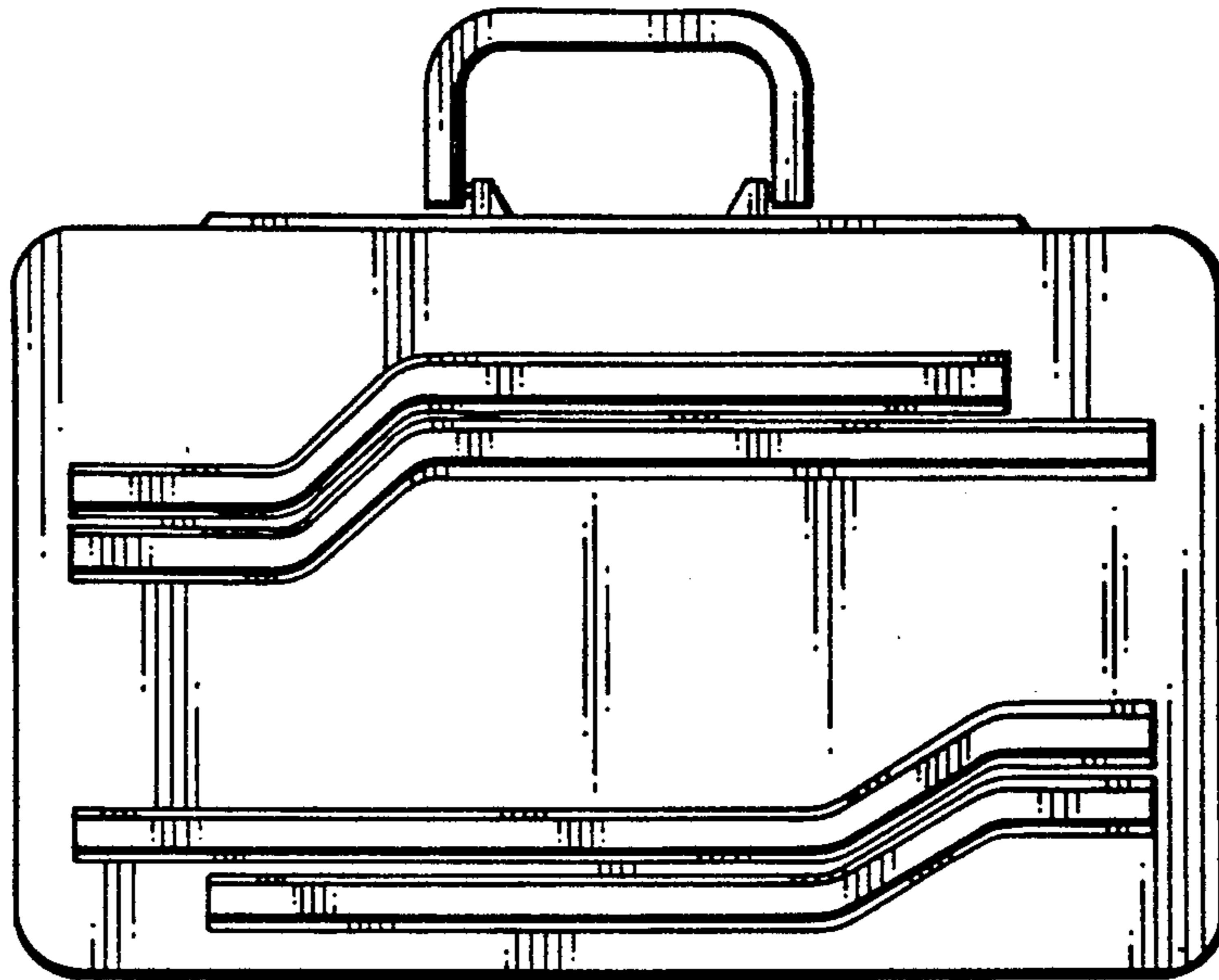


FIG. 1



FIG. 2

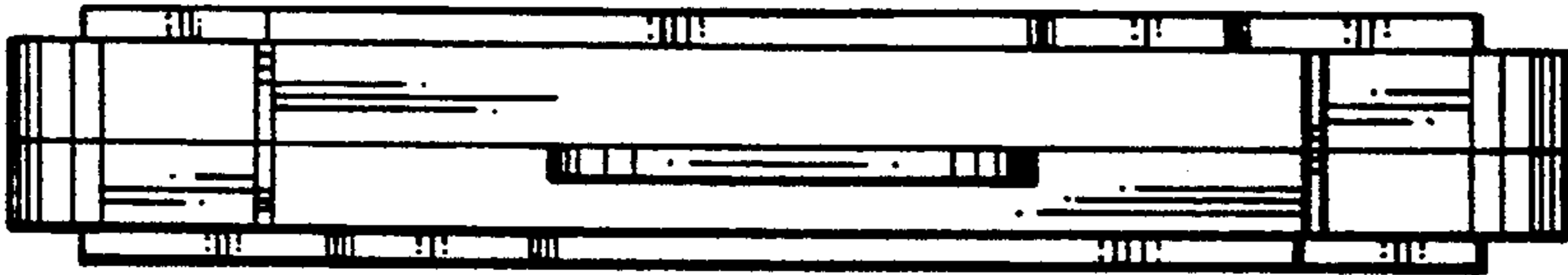


FIG. 3

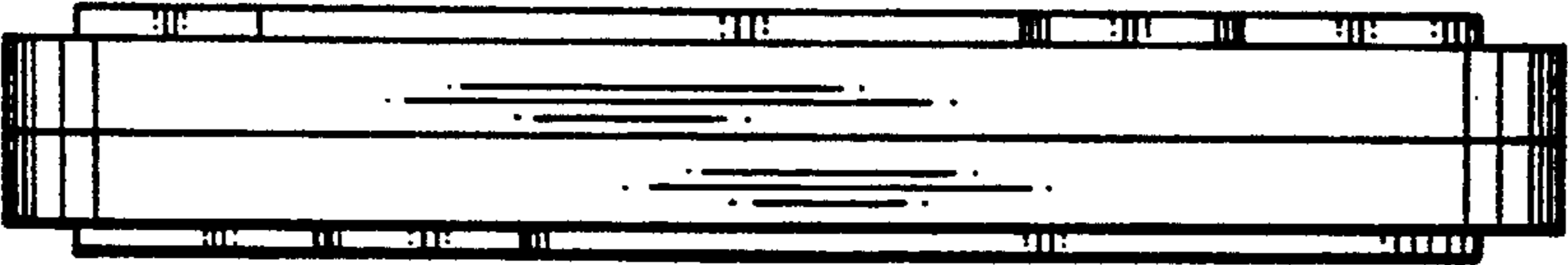


FIG. 4