



US00D336985S

# United States Patent [19]

Hickmann et al.

[11] Patent Number: **Des. 336,985**

[45] Date of Patent: **\*\* Jul. 6, 1993**

[54] **WORK DESK FOR USE IN AUTOS**

[76] Inventors: **William J. Hickmann**, 2125 W. Washington St., West Bend, Wis. 53095; **Richard B. Goodwin**, 3576 Norport Dr., Port Washington, Wis. 53074

[\*\*] Term: **14 Years**

[21] Appl. No.: **638,401**

[22] Filed: **Jan. 4, 1991**

[52] U.S. Cl. .... **D3/40**

[58] Field of Search ..... **D3/40; D7/620; D28/73, D28/86; 242/42.11, 42.42, 273, 275, 308, 311, 318, 327; 211/73**

[56] **References Cited**

**U.S. PATENT DOCUMENTS**

D. 192,108 1/1962 Kelman ..... D28/73 X

D. 247,123 1/1978 Benes ..... D28/86  
D. 271,541 11/1983 Rockwell ..... D3/48  
D. 328,521 8/1992 Sletvold ..... D7/620 X  
3,379,316 4/1968 Harrell ..... D3/40 X

*Primary Examiner*—Louis S. Zarfes  
*Attorney, Agent, or Firm*—Andrus, Sceales, Starke & Sawall

[57] **CLAIM**

The ornamental design for a work desk for use in autos, as shown.

**DESCRIPTION**

FIG. 1 is a perspective view of a work desk for use in autos incorporating the design;  
FIG. 2 is a top view of the work desk;  
FIG. 3 is a view of one end of the work desk;  
FIG. 4 is a view of the other end of the work desk;  
FIG. 5 is a view of one side of the work desk; and,  
FIG. 6 is a view of the other side of the work desk.

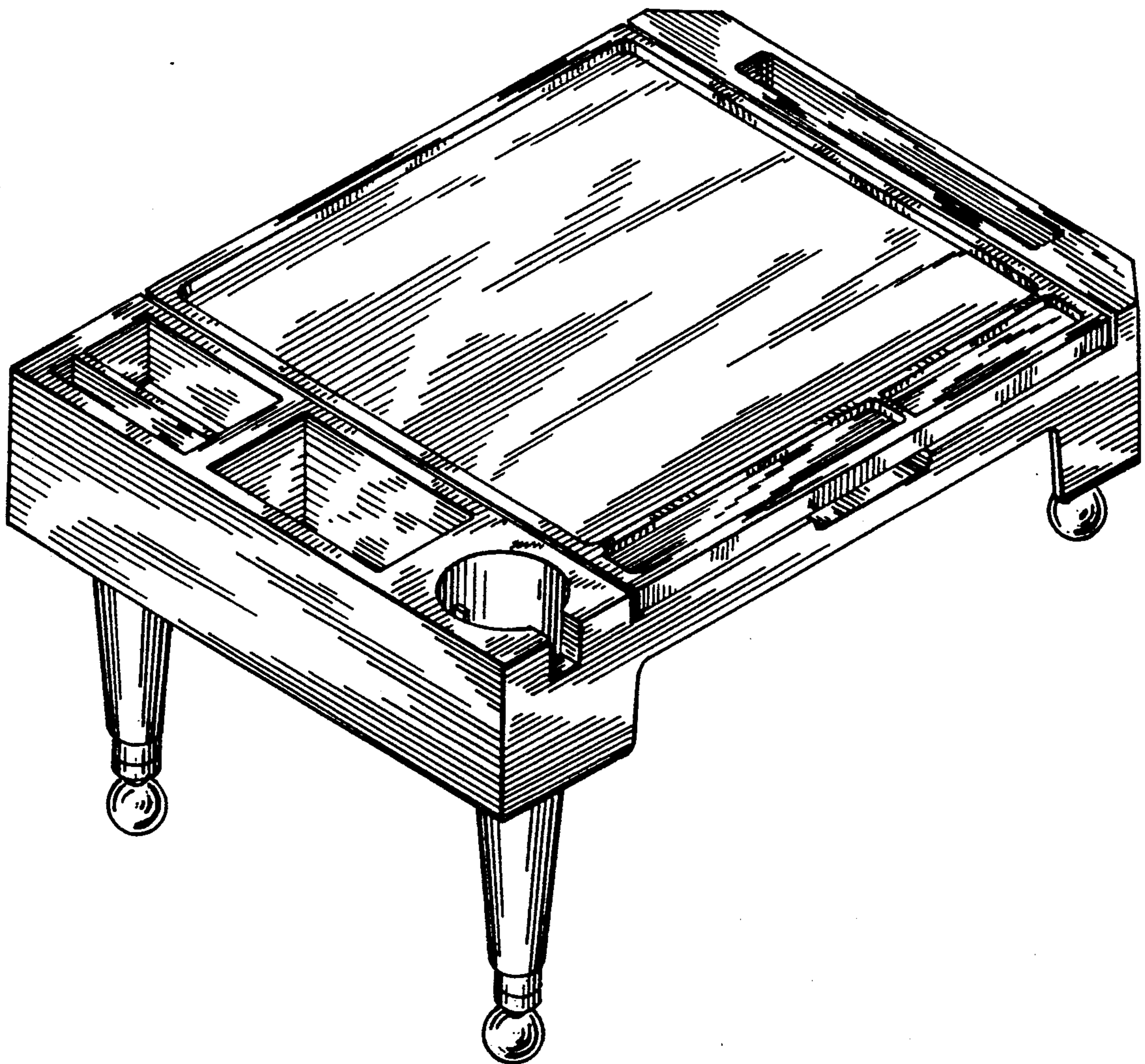


FIG. 1

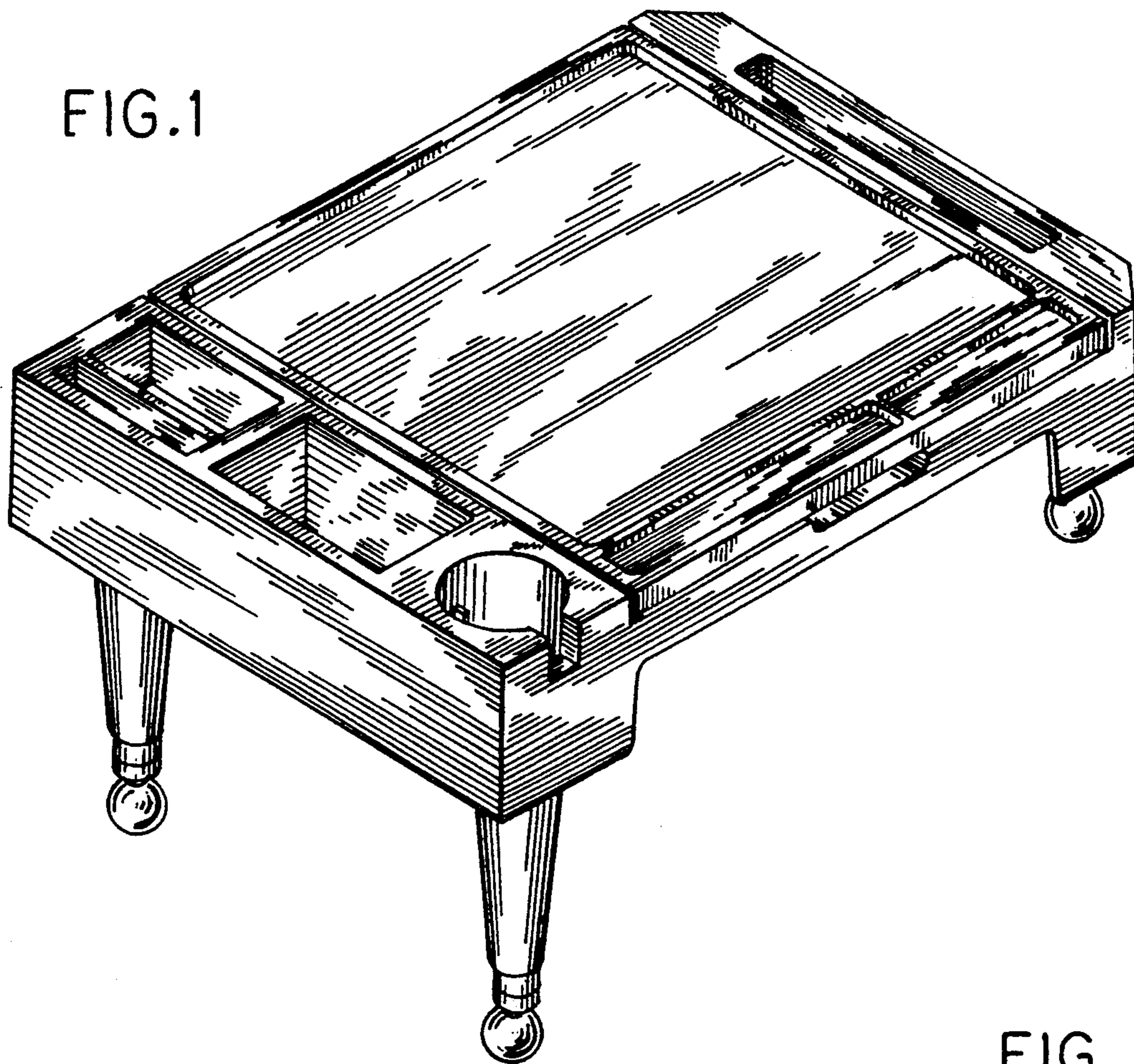


FIG. 2

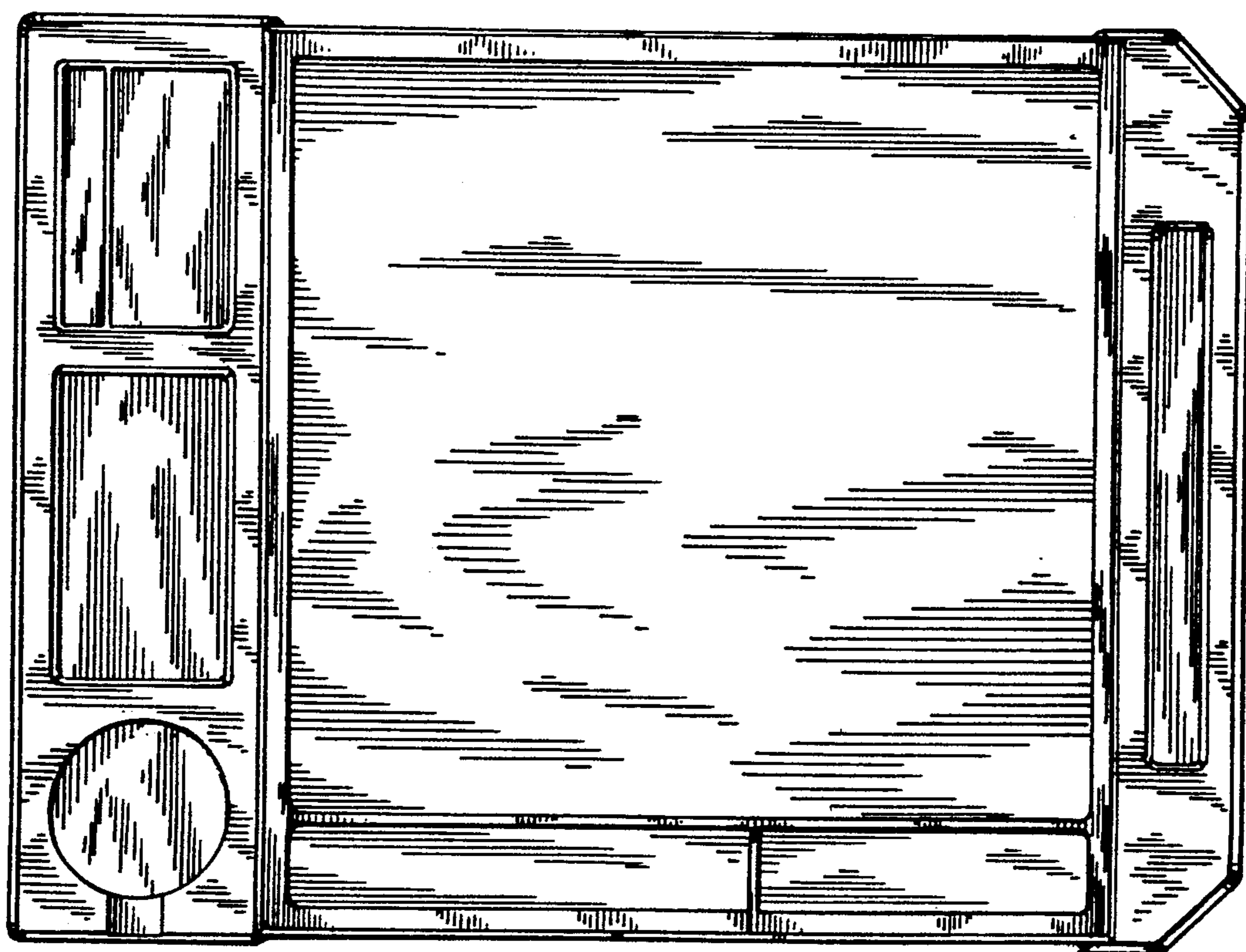


FIG. 3

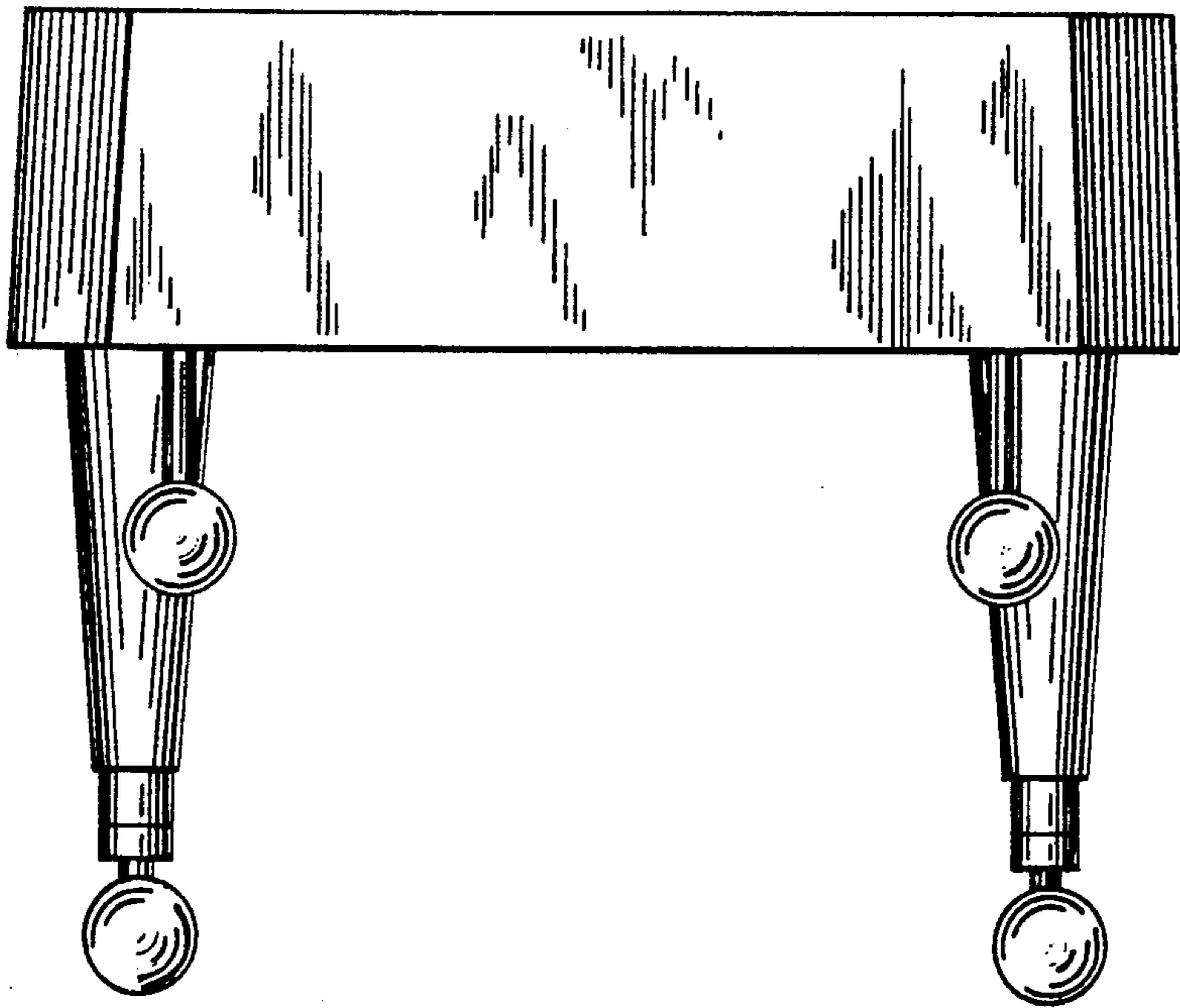
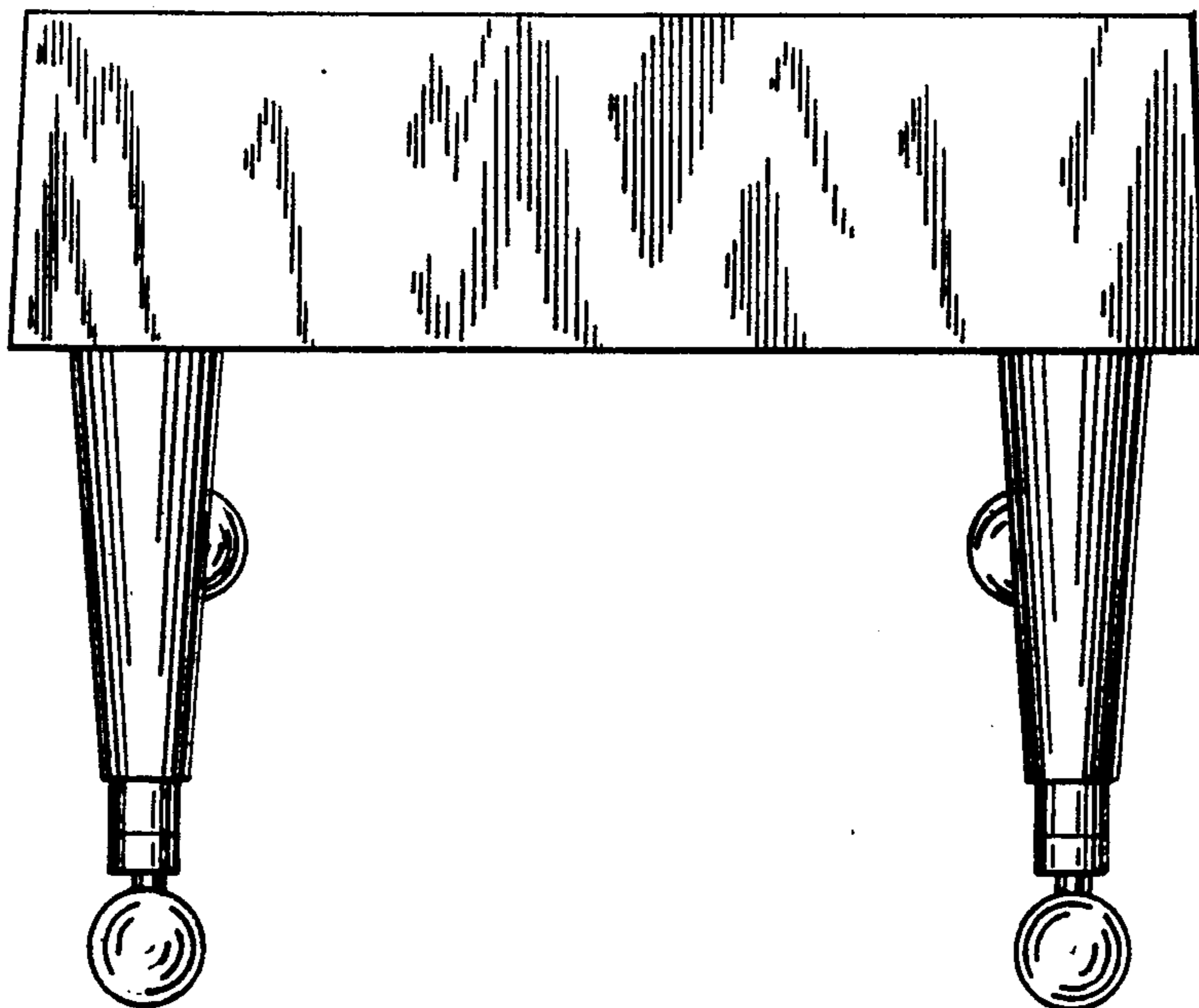


FIG. 4



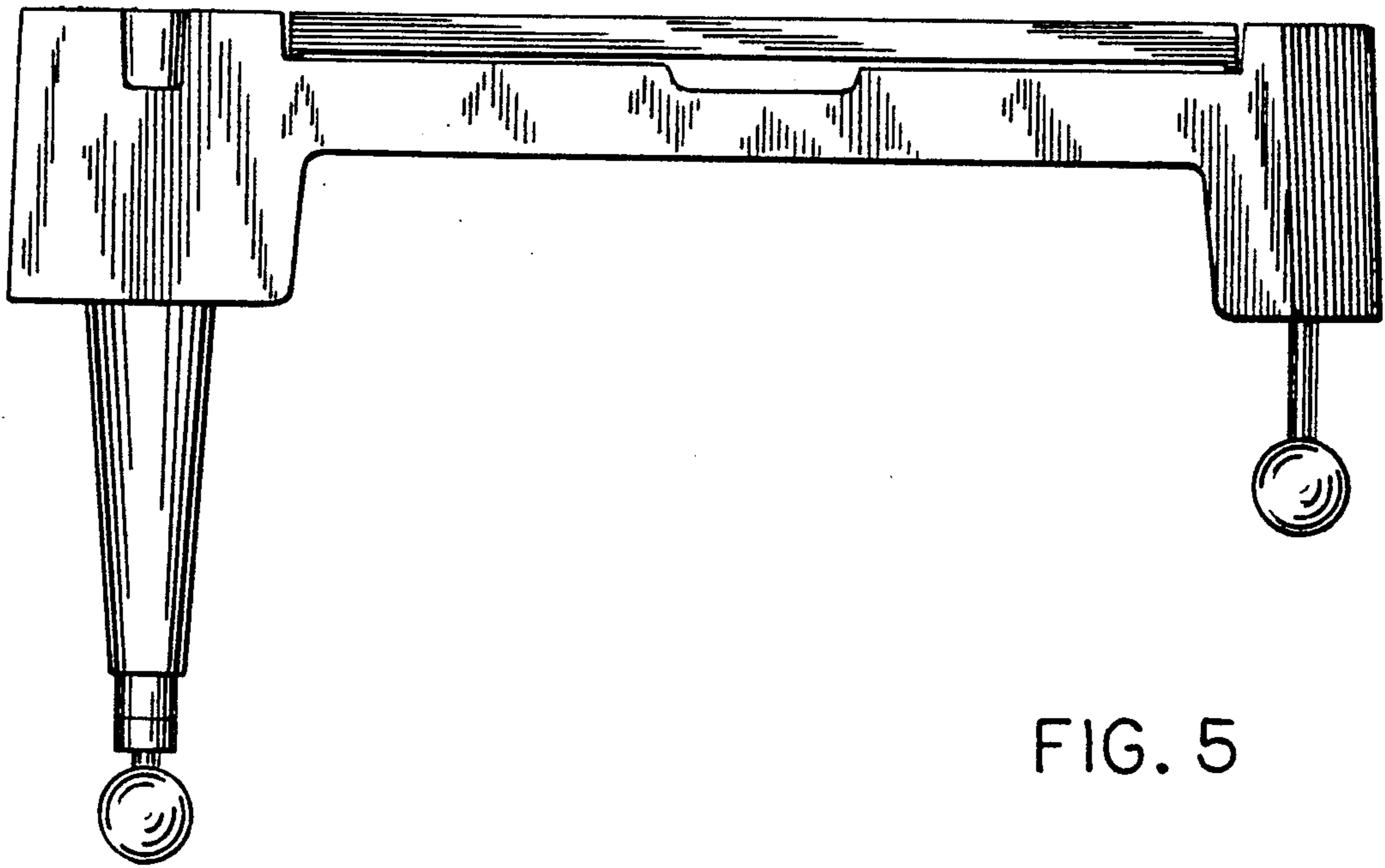


FIG. 5

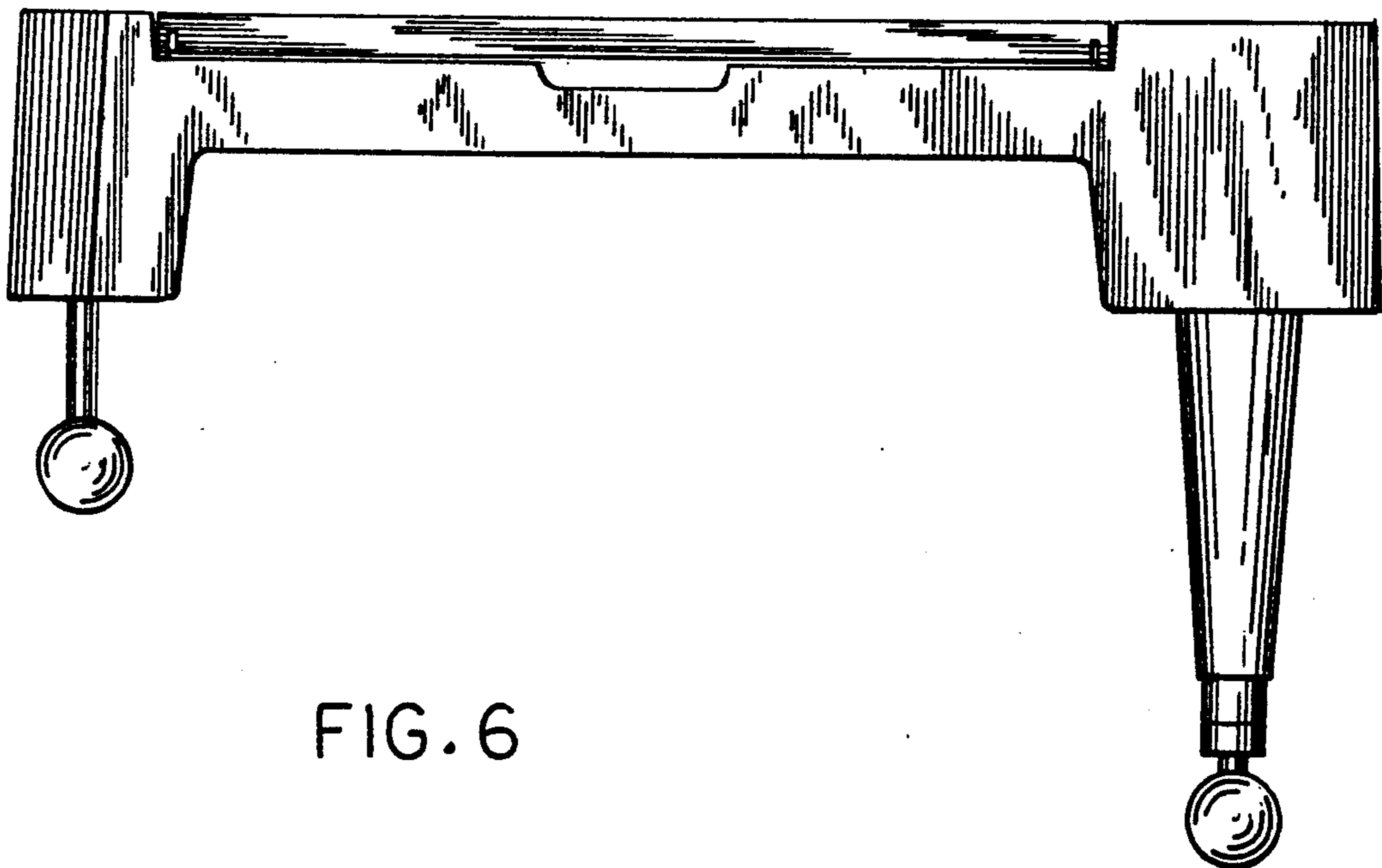


FIG. 6