



US00D336983S

United States Patent [19]

[11] Patent Number: **Des. 336,983**

Roberts et al.

[45] Date of Patent: **** Jul. 6, 1993**

[54] **FILM STORAGE CONTAINER**

3,103,278 9/1963 Kuzma et al. 220/23.6
4,162,031 7/1979 Summersby 206/403

[76] Inventors: **Bobby Roberts; Roger Paglia**, both of
23802 Valley Oak Ct., Santa Clarita,
Calif. 91342

FOREIGN PATENT DOCUMENTS

0429227 4/1946 Italy 206/403

[**] Term: **14 Years**

Primary Examiner—A. Hugo Word
Assistant Examiner—Celia A. Murphy
Attorney, Agent, or Firm—James E. Brunton

[21] Appl. No.: **645,277**

[22] Filed: **Jan. 24, 1991**

[57] **CLAIM**

[52] U.S. Cl. **D3/35; D3/30.1;**
D3/33

The ornamental design for a film storage container, as shown and described.

[58] Field of Search **D3/30.1, 33, 350, 39,**
D3/56, 59, 60, 71, 74, 79, 100; D9/418, 430;
D19/78, 85; 206/387, 403; 220/23.6

DESCRIPTION

[56] **References Cited**

U.S. PATENT DOCUMENTS

D. 108,941	3/1938	Goldberg	D3/33
D. 152,482	1/1949	Kendall et al.	D3/33
D. 232,782	1/1974	Kryter	D3/35
1,744,552	1/1930	Katzinger	220/23.6
2,558,839	1/1951	Goldberg	206/403
2,631,725	3/1953	Miller	206/403

FIG. 1 is a generally perspective view of a film storage container showing my new design; FIG. 2 is a right side view thereof; FIG. 3 is a top view thereof; FIG. 4 is a front view; FIG. 5 is a rear view thereof; FIG. 6 is a left side view; and, FIG. 7 is a bottom view, the broken lines showing a like unit attached being for illustrative purposes only and forming no part of the claimed design.

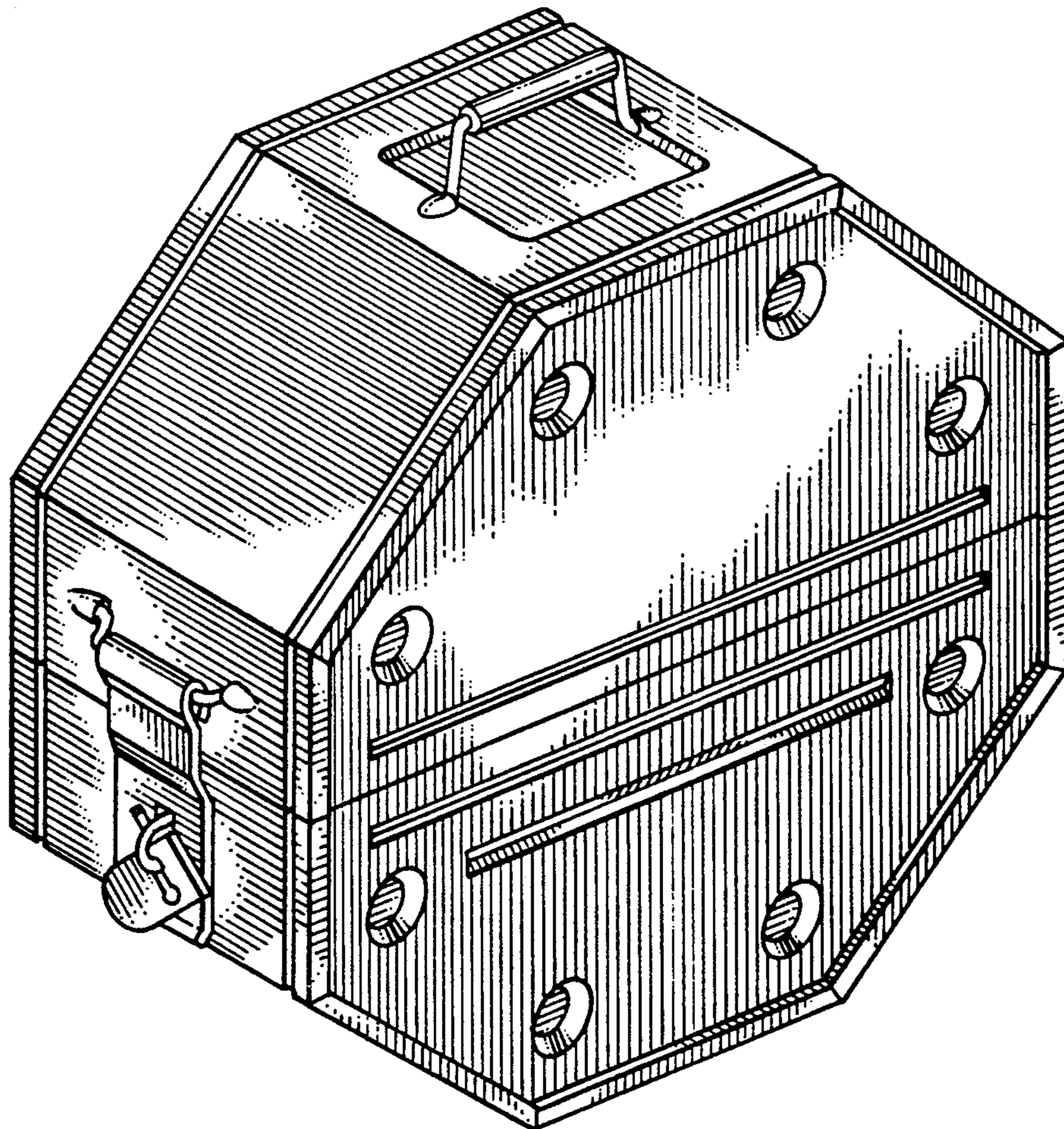


FIG. 1

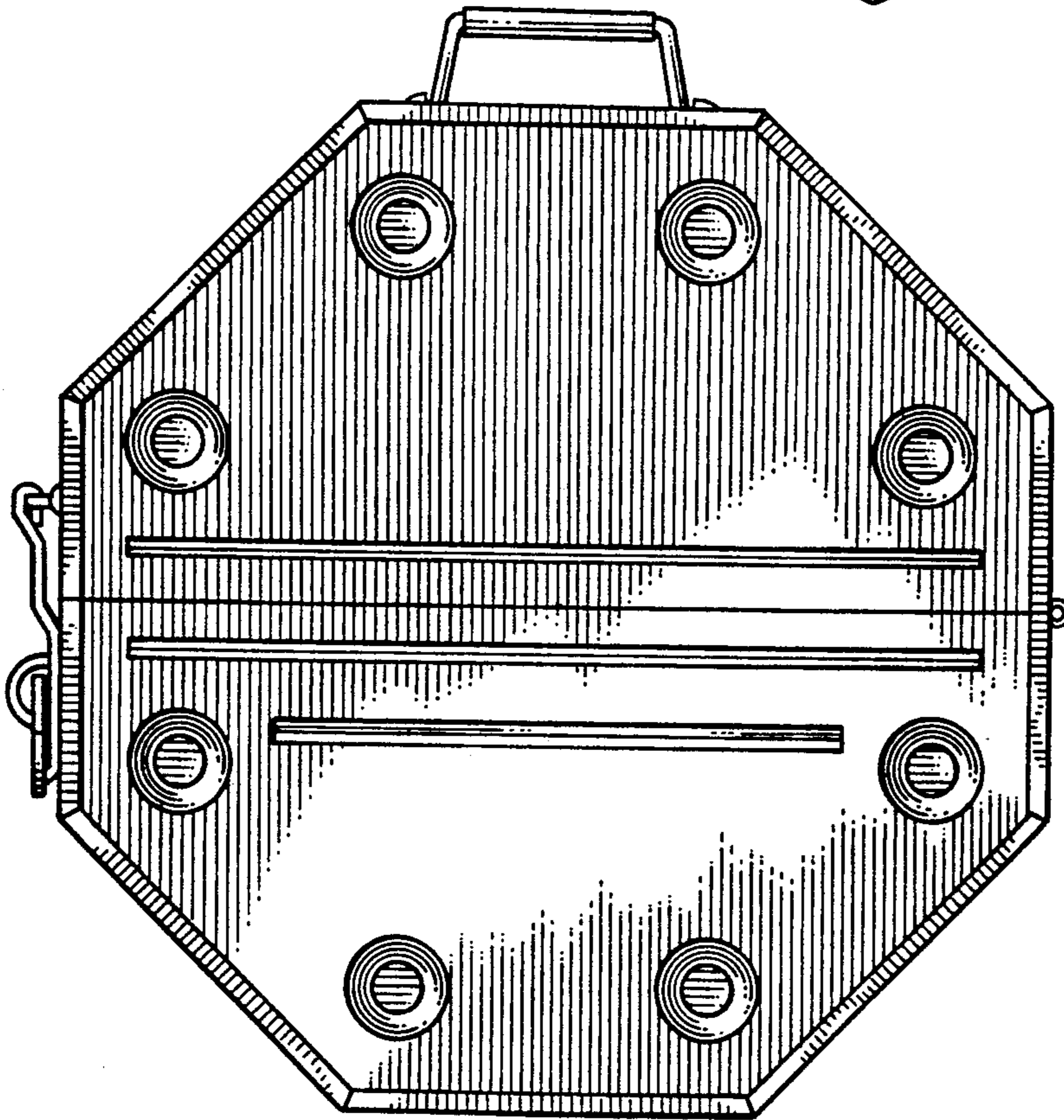
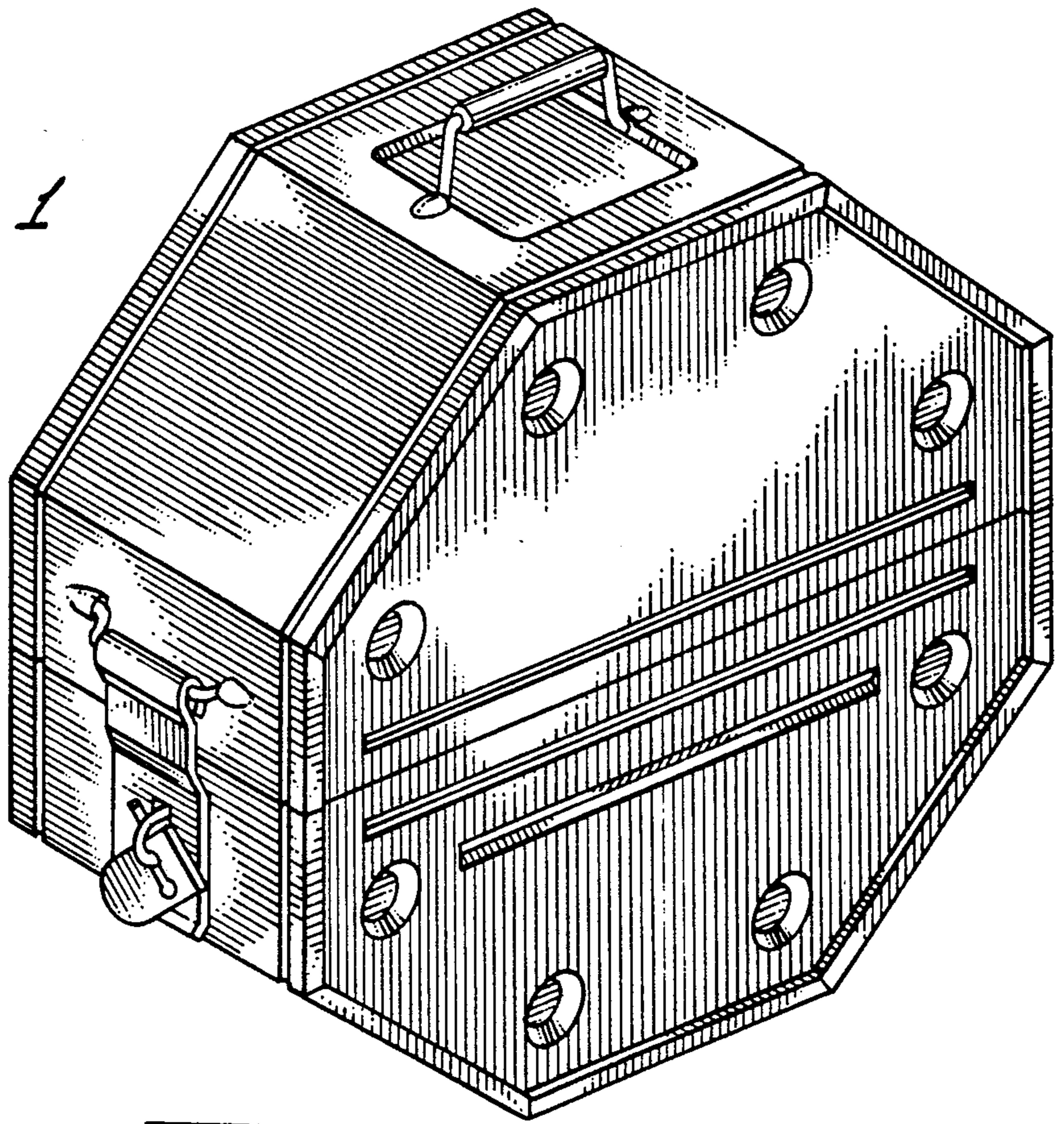


FIG. 2

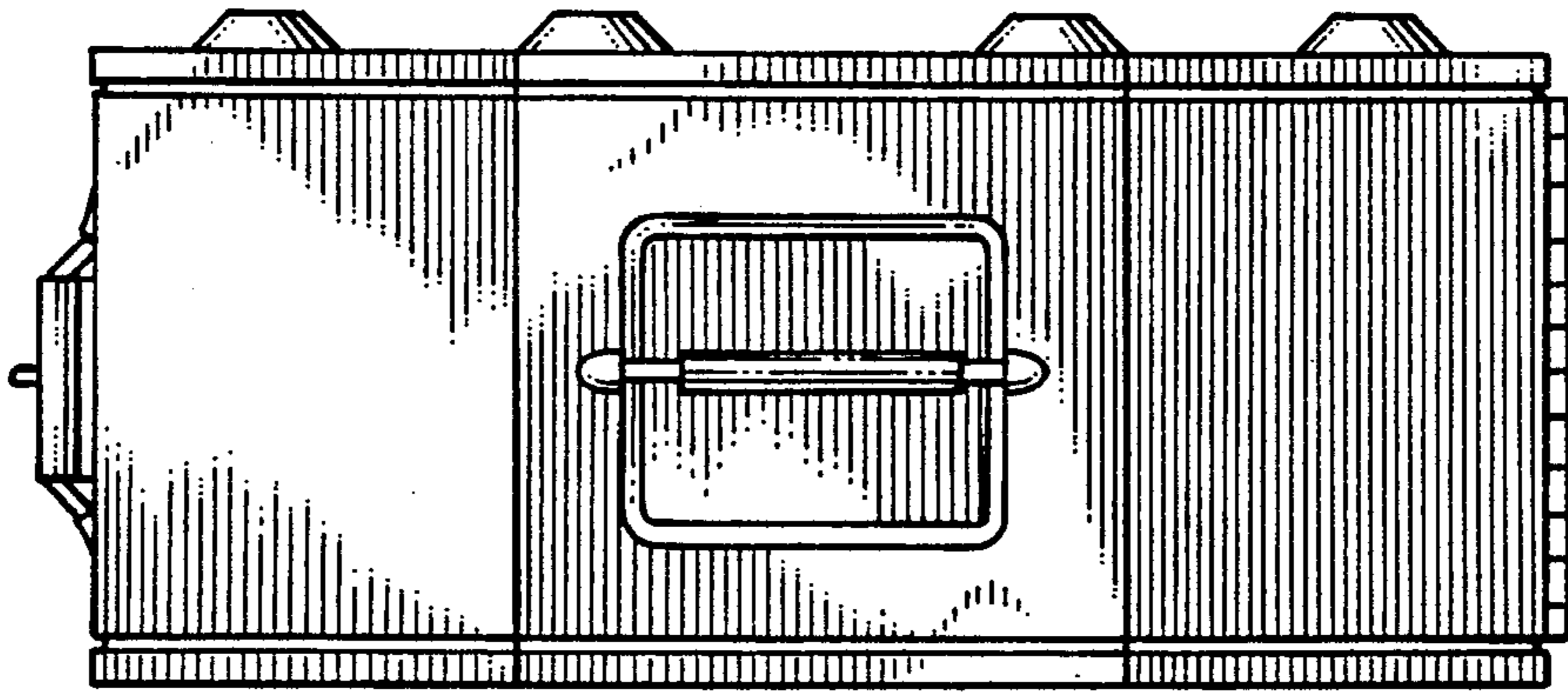


FIG. 3

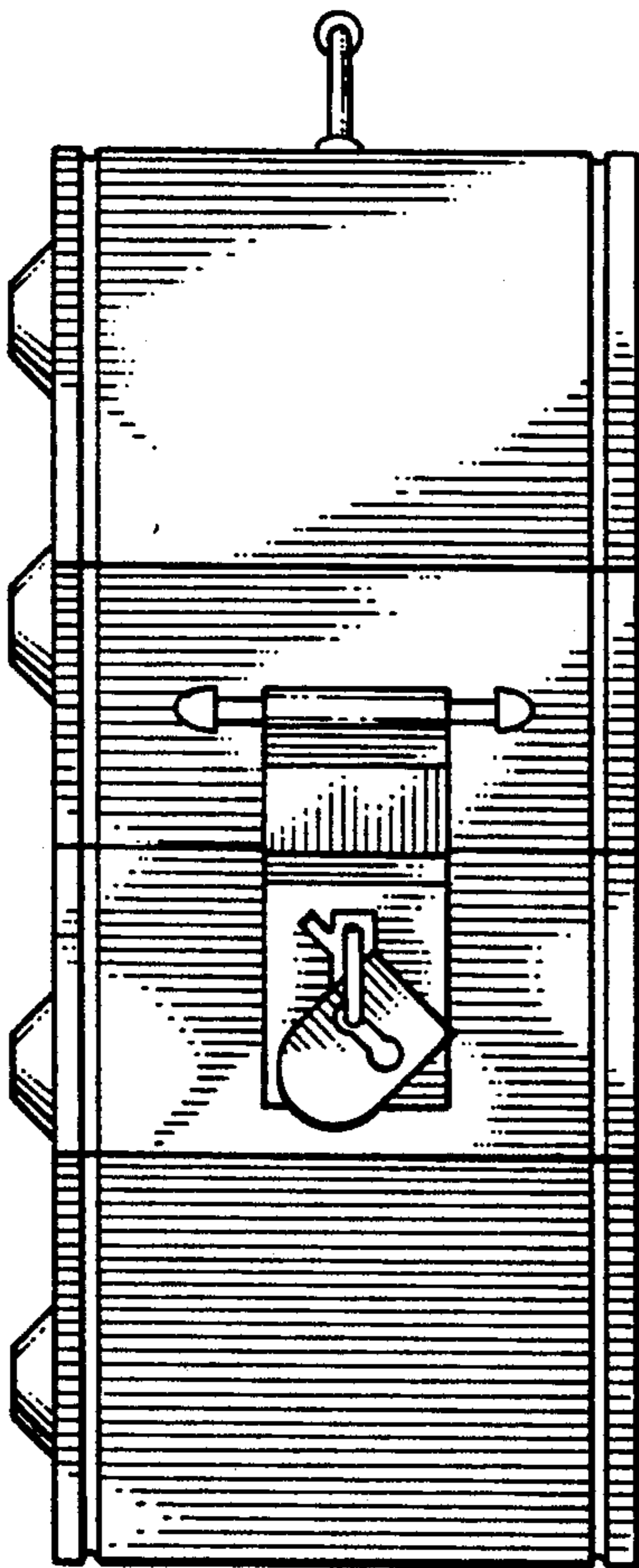


FIG. 4

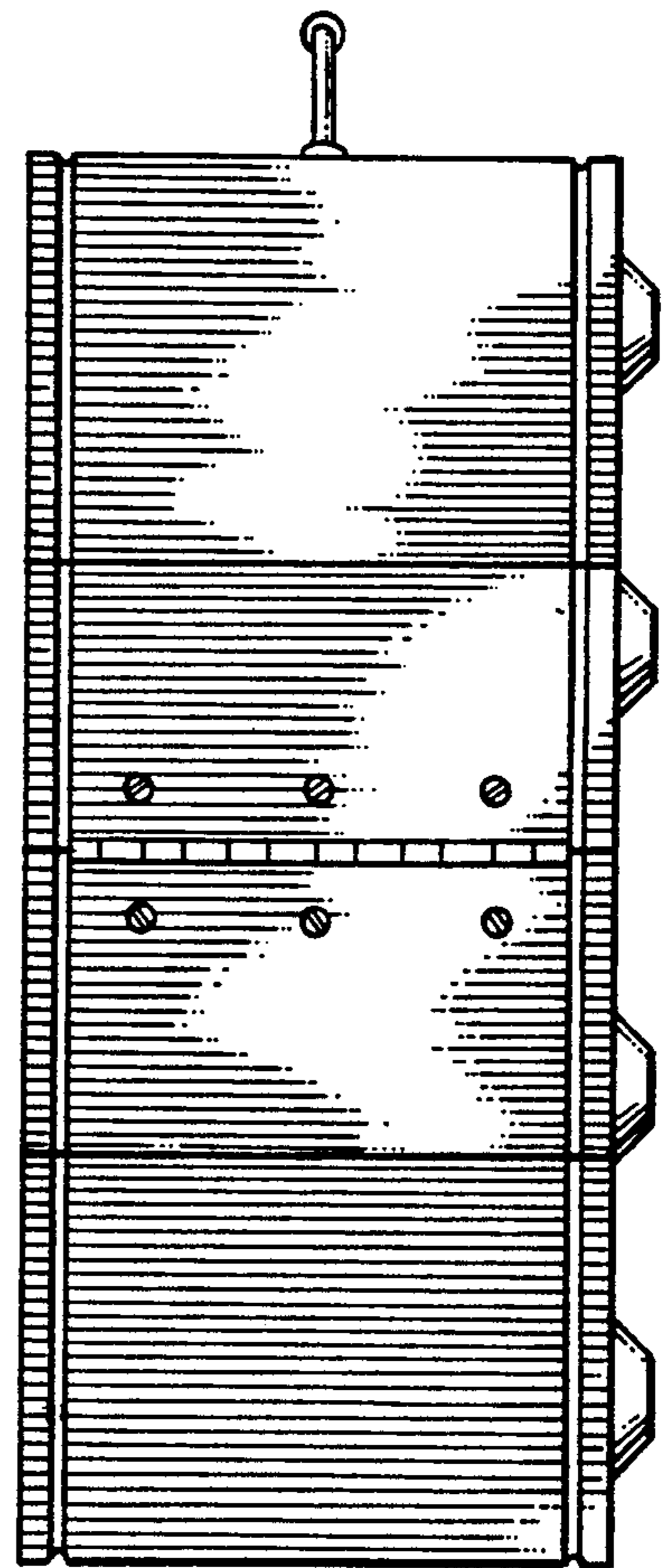


FIG. 5

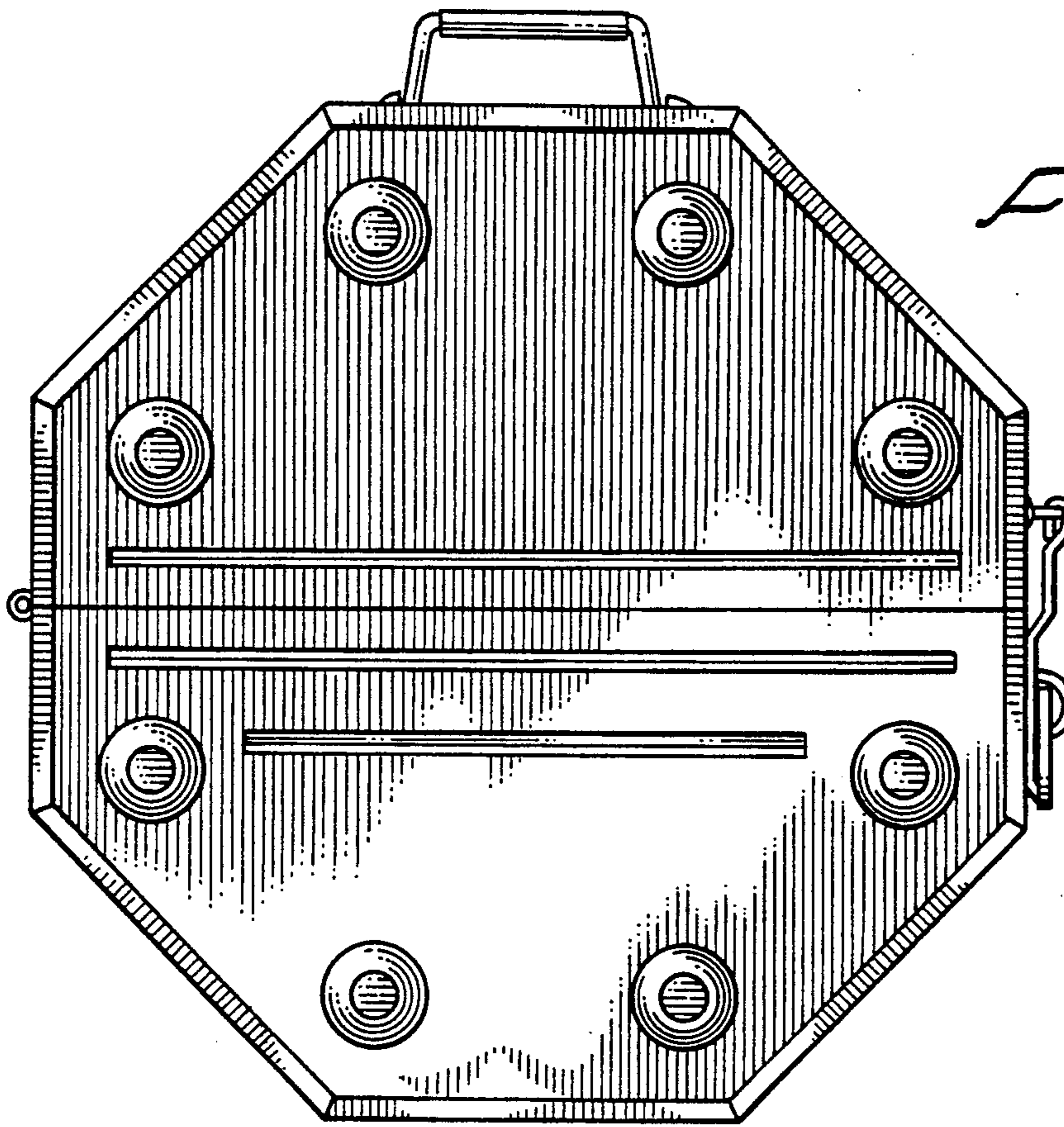


FIG. 6

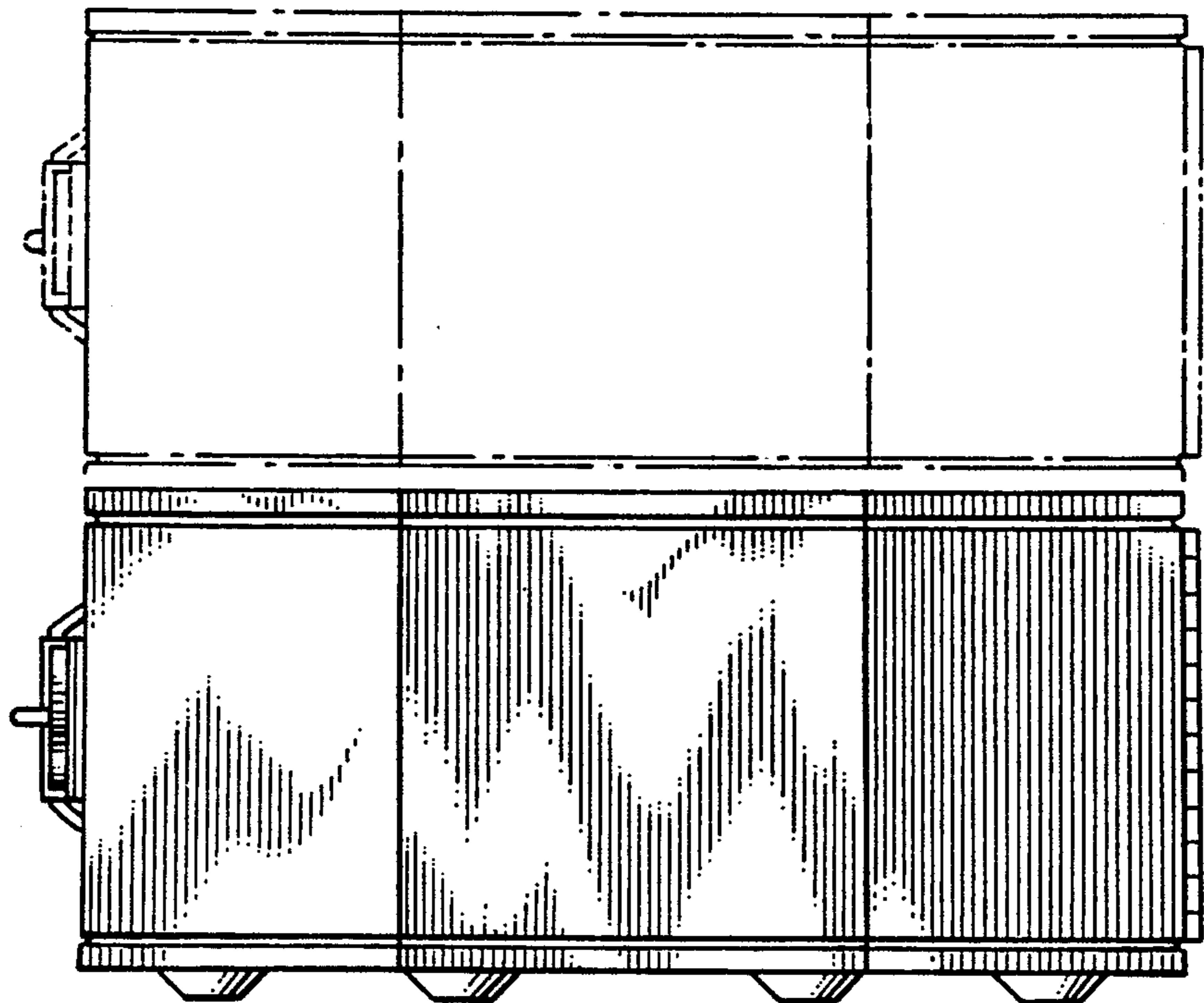


FIG. 7