



US00D336966S

**United States Patent** [19]  
**Yau**

[11] **Patent Number: Des. 336,966**

[45] **Date of Patent: \*\* Jun. 29, 1993**

[54] **FLASHLIGHT**

[75] **Inventor: Kai C. A. Yau, Kowloon, Hong Kong**

[73] **Assignee: Practical Products Mfg. Ltd., Hong Kong, Hong Kong**

[\*\*] **Term: 14 Years**

[21] **Appl. No.: 813,874**

[22] **Filed: Dec. 26, 1991**

[30] **Foreign Application Priority Data**

Jun. 27, 1991 [GB] United Kingdom ..... 2015611  
[52] **U.S. Cl. .... D26/49**  
[58] **Field of Search .... D26/37-50;**  
362/157, 158, 183, 184, 189, 190, 191, 196, 197,  
198, 199, 200, 201, 202, 203

[56] **References Cited**

**U.S. PATENT DOCUMENTS**

D. 294,644	3/1988	Ohashi .....	D26/49
D. 307,057	4/1990	Seok .....	D26/49
D. 315,609	3/1991	Garrity .....	D26/49
D. 325,788	4/1992	Yuen .....	D26/49

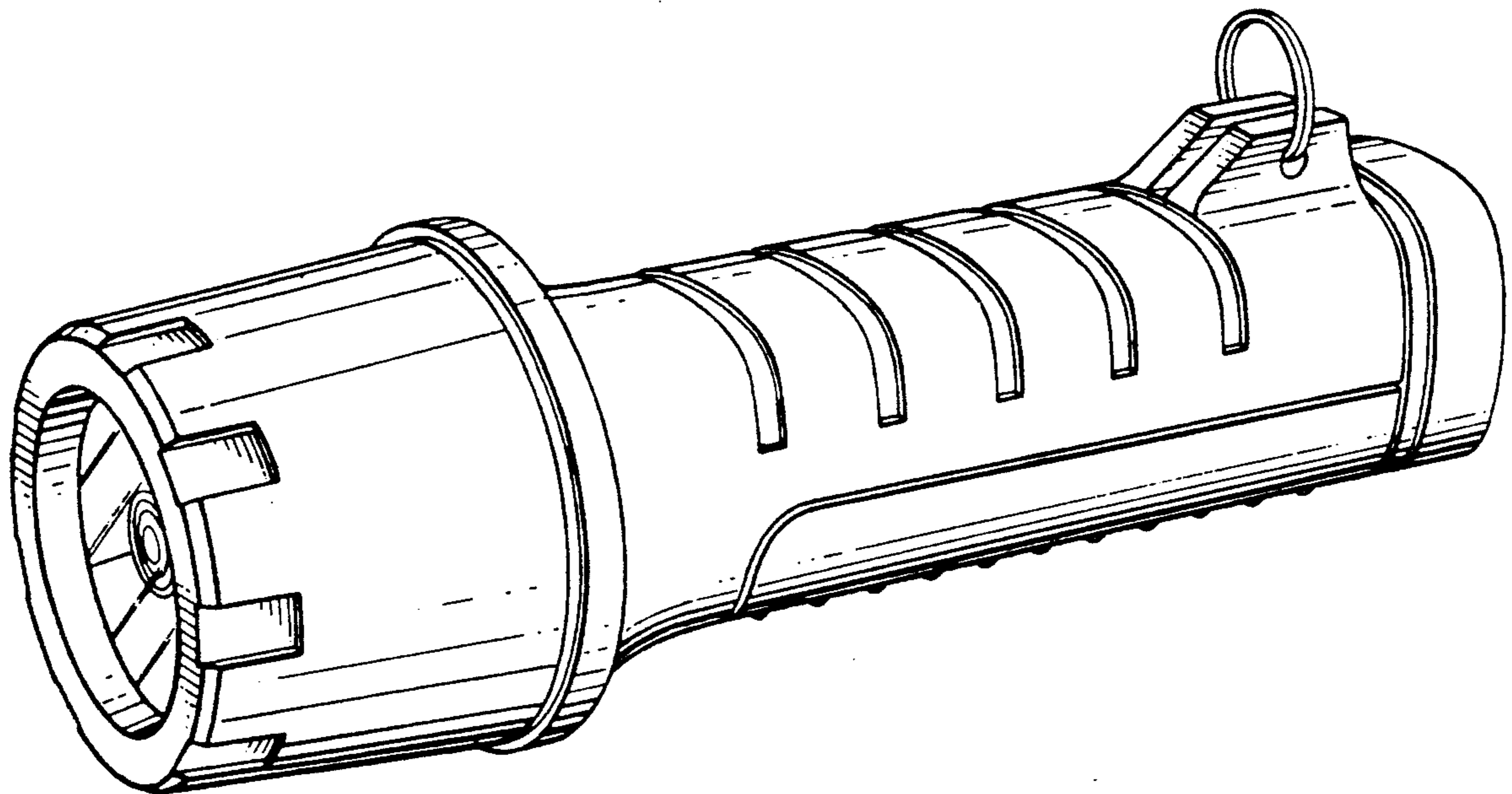
*Primary Examiner*—Susan J. Lucas  
*Attorney, Agent, or Firm*—Spensley Horn Jubas & Lubitz

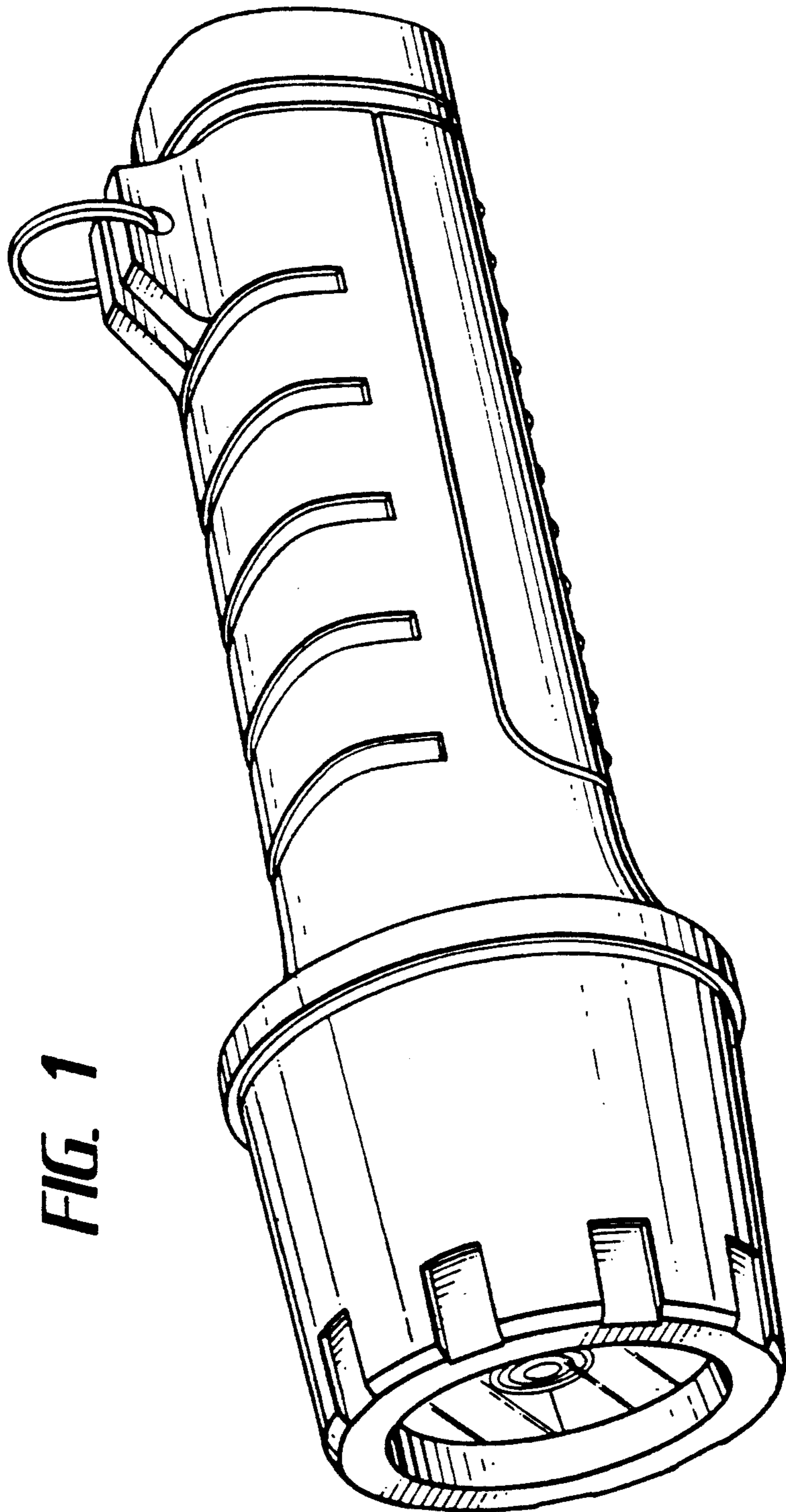
[57] **CLAIM**

The ornamental design for a flashlight, as shown and described.

**DESCRIPTION**

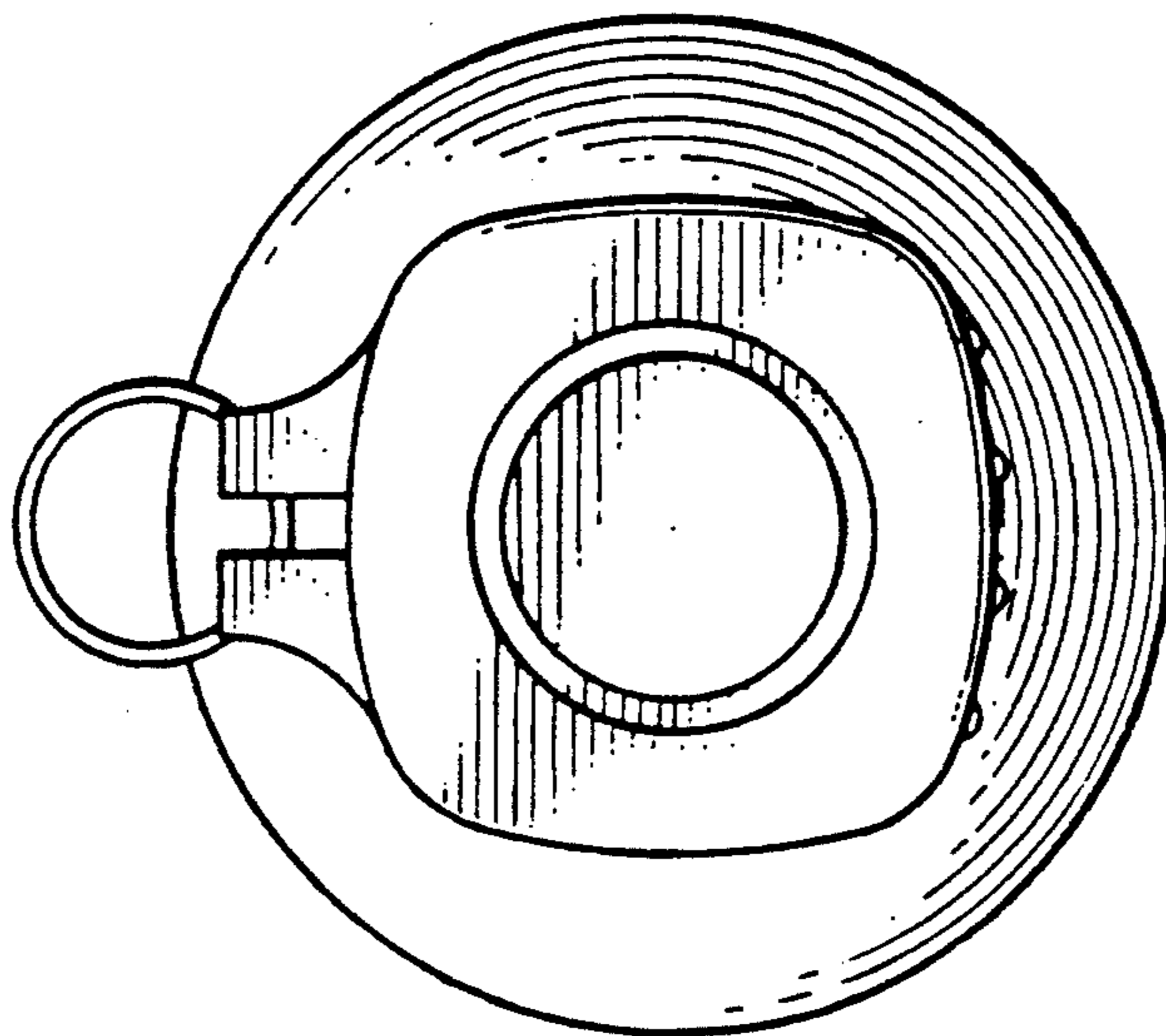
FIG. 1 is a front perspective view of my flashlight;  
FIG. 2 is a front end view thereof;  
FIG. 3 is a rear end view thereof;  
FIG. 4 is a left side view thereof;  
FIG. 5 is a right side view thereof;  
FIG. 6 is a top view thereof; and,  
FIG. 7 is a bottom view thereof.



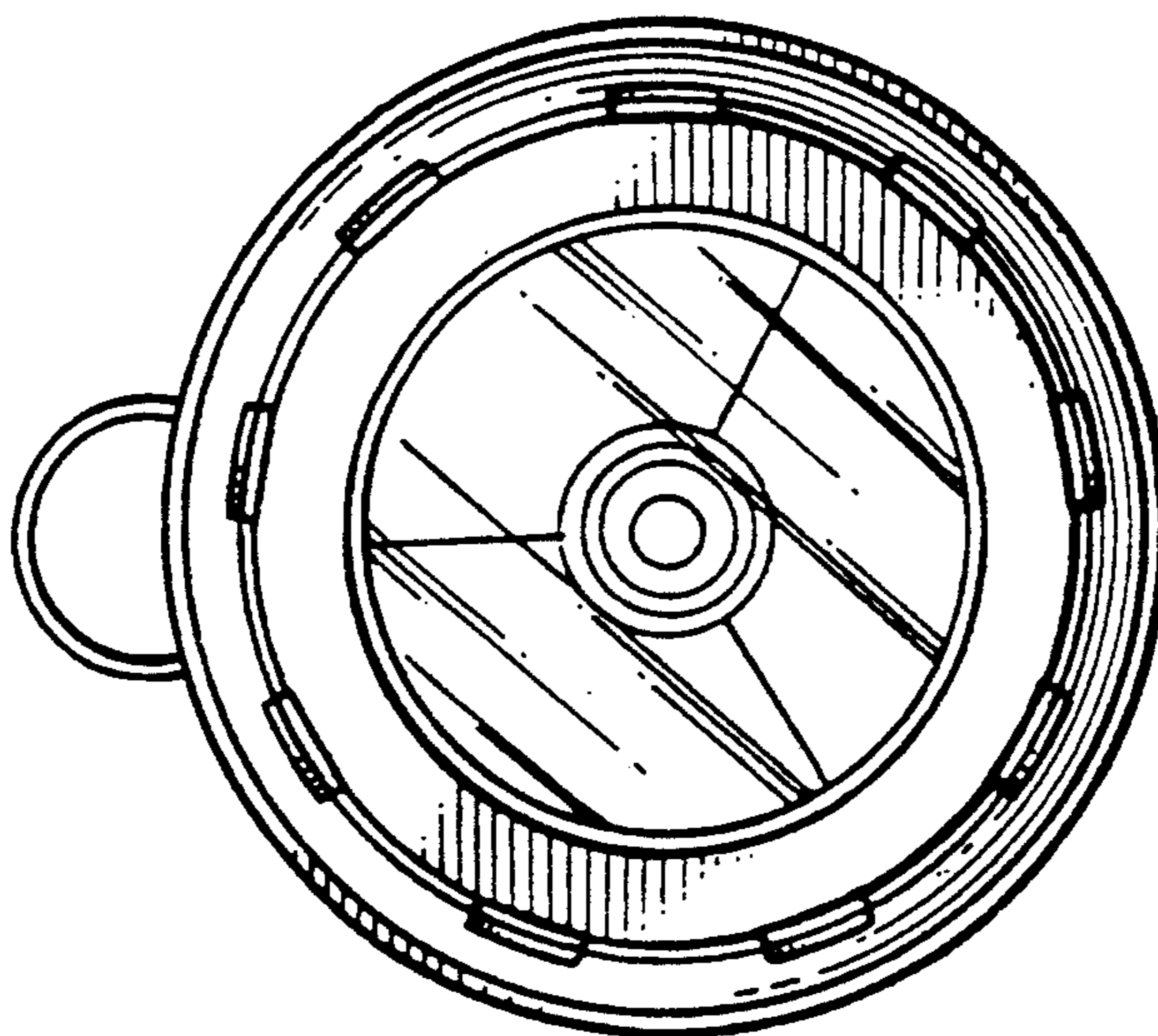


**FIG. 1**

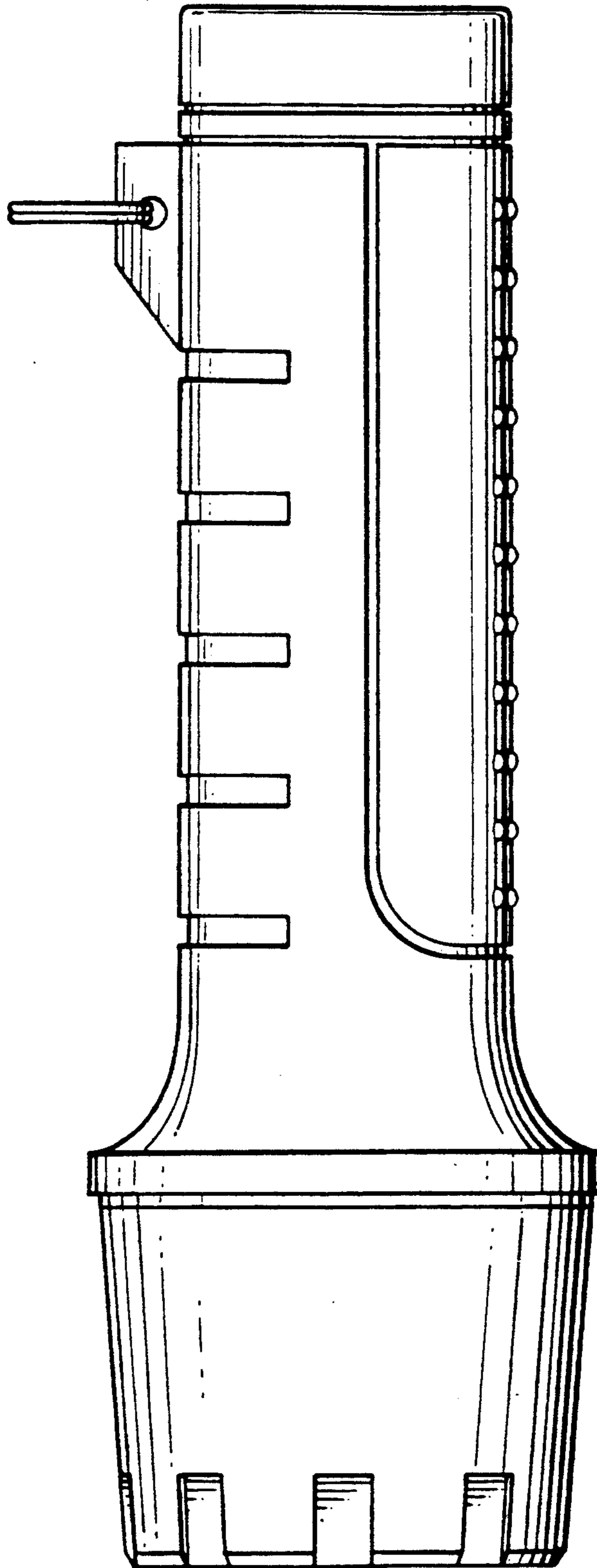
**FIG. 3**



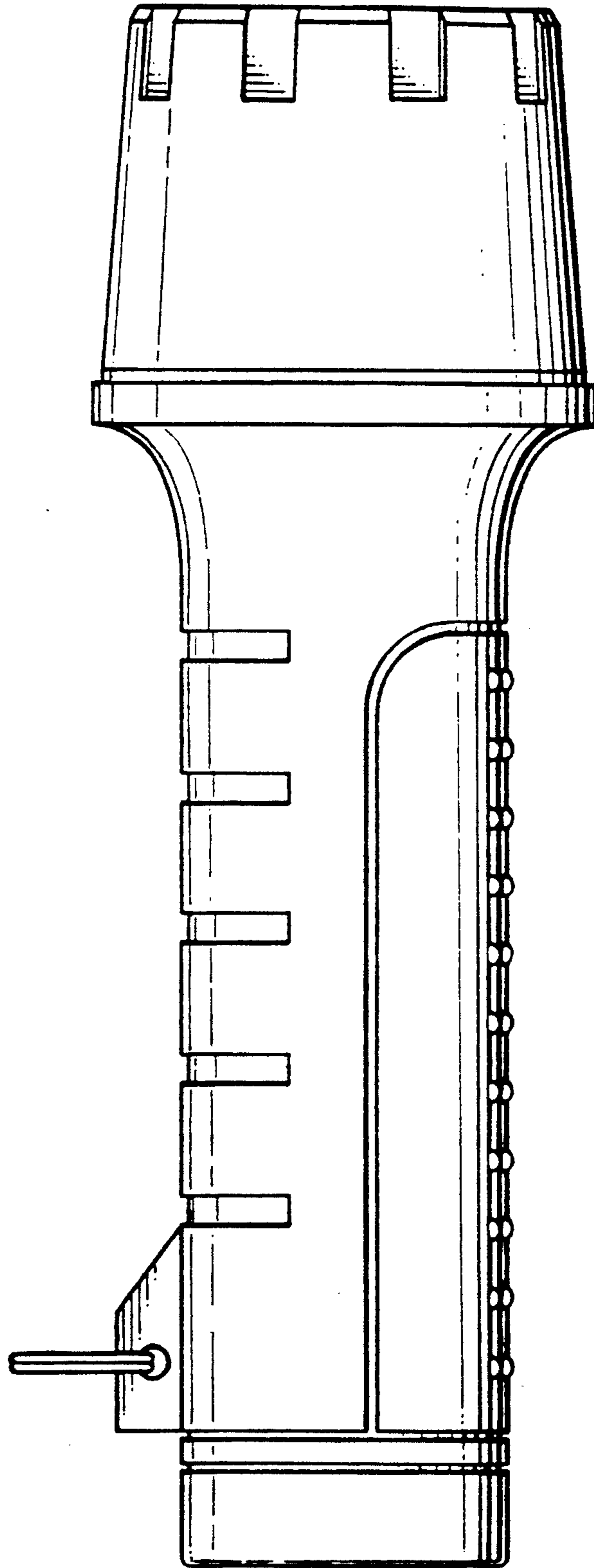
**FIG. 2**



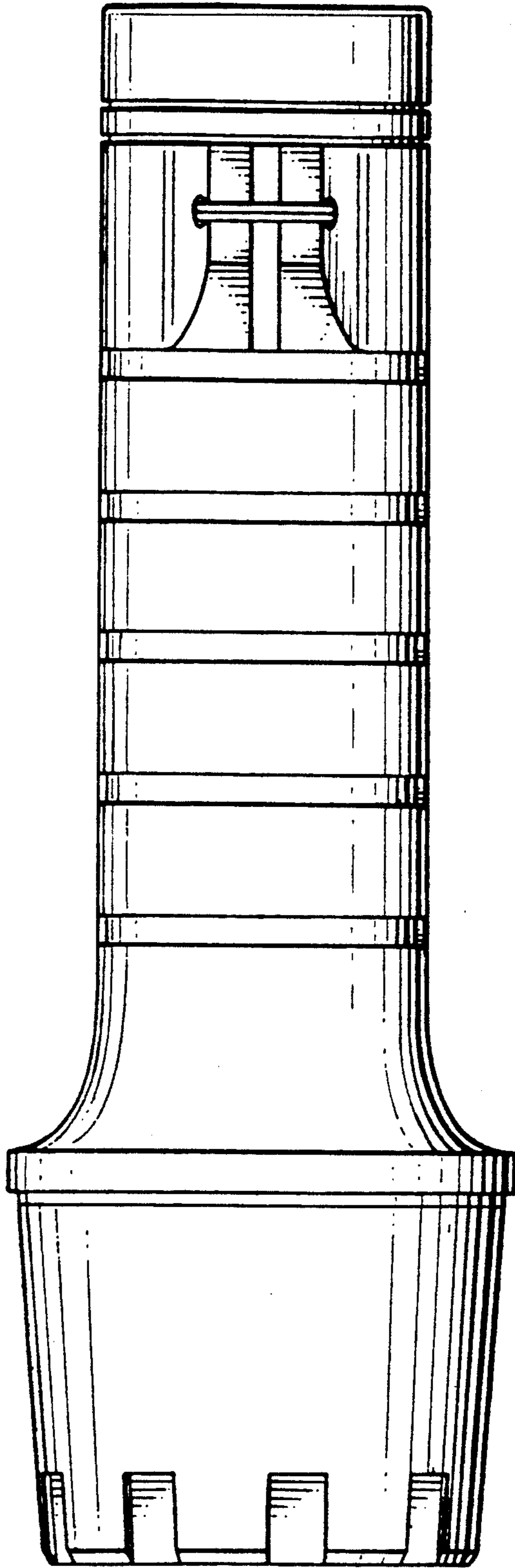
*FIG. 4*



*FIG. 5*



*FIG. 6*



*FIG. 7*

