



US00D336965S

United States Patent [19]

[11] Patent Number: **Des. 336,965**

Yau

[45] Date of Patent: **** Jun. 29, 1993**

[54] FLASHLIGHT

[56] References Cited

[75] Inventor: **Kai C. A. Yau, Kowloon, Hong Kong**

U.S. PATENT DOCUMENTS

D. 294,644	3/1988	Ohashi	D26/49
D. 307,057	4/1990	Seok	D26/49
D. 315,609	3/1991	Garrity	D26/49
D. 325,788	4/1992	Yuen	D26/49

[73] Assignee: **Practical Products Mfg. Ltd., Hong Kong**

Primary Examiner—Susan J. Lucas
Attorney, Agent, or Firm—Spensley Horn Jubas & Lubitz

[**] Term: **14 Years**

[57] CLAIM

[21] Appl. No.: **813,871**

The ornamental design for a flashlight, as shown and described.

[22] Filed: **Dec. 24, 1991**

DESCRIPTION

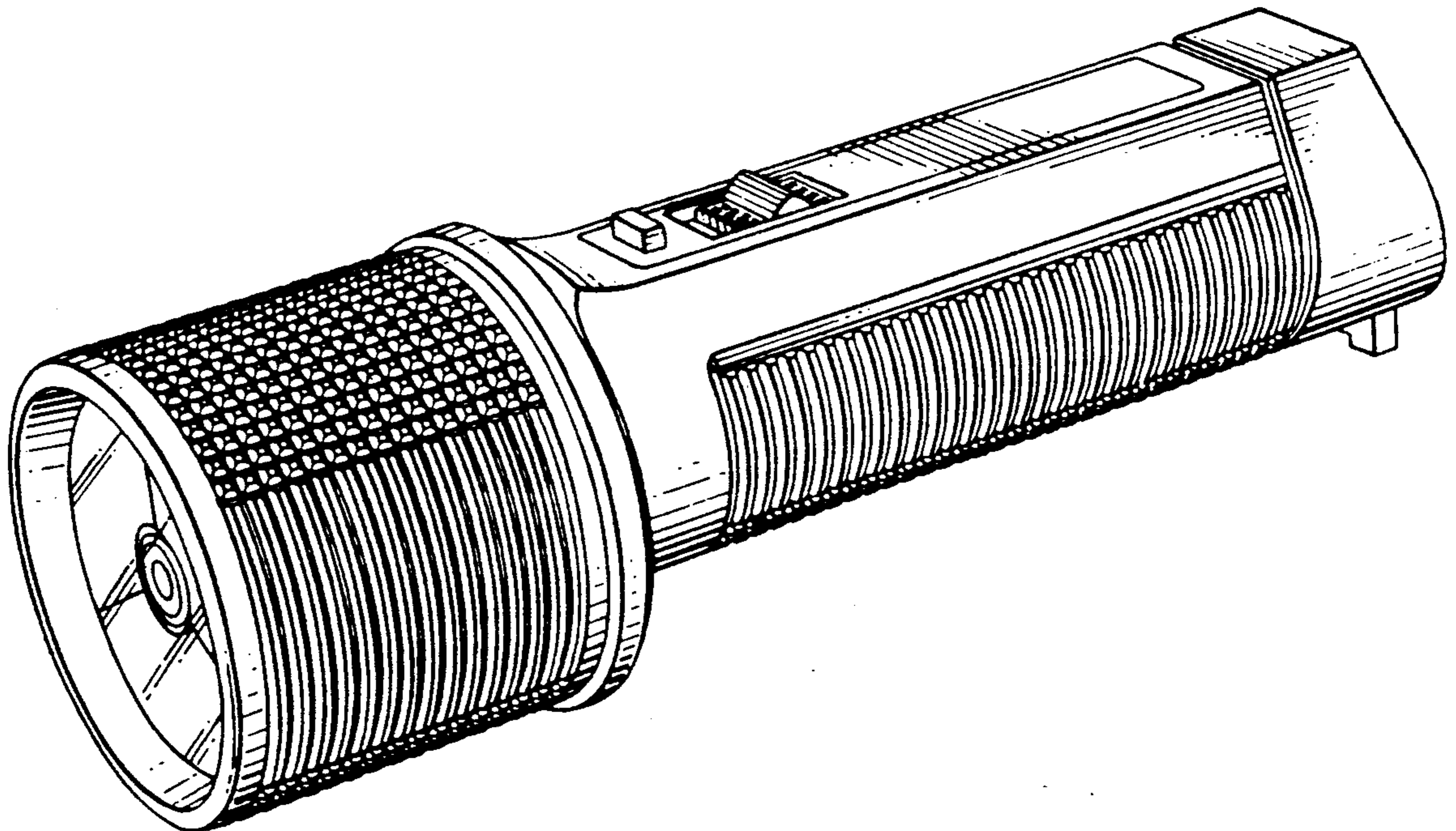
[30] Foreign Application Priority Data

Jun. 27, 1991 [GB] United Kingdom 2015612

[52] U.S. Cl. **D26/49**

[58] Field of Search D26/37-50;
362/157, 158, 183, 184, 189, 190, 191, 196, 197,
198, 199, 200, 201, 202, 203

FIG. 1 is a front perspective view of my flashlight;
FIG. 2 is a front end view thereof;
FIG. 3 is a rear end view thereof;
FIG. 4 is a left side view thereof;
FIG. 5 is a right side view thereof;
FIG. 6 is a top view thereof; and,
FIG. 7 is a bottom view thereof.



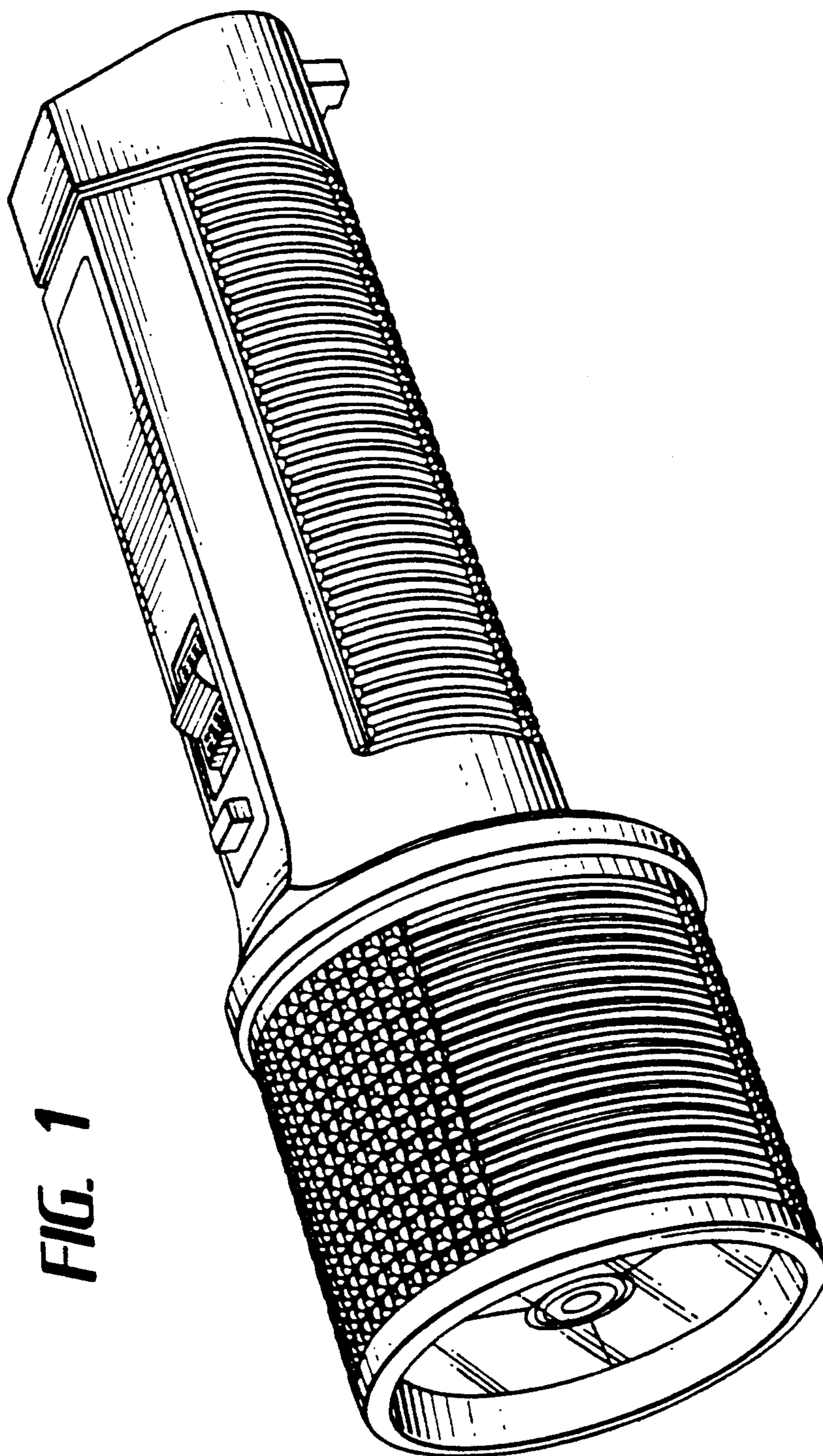


FIG. 1

FIG. 3

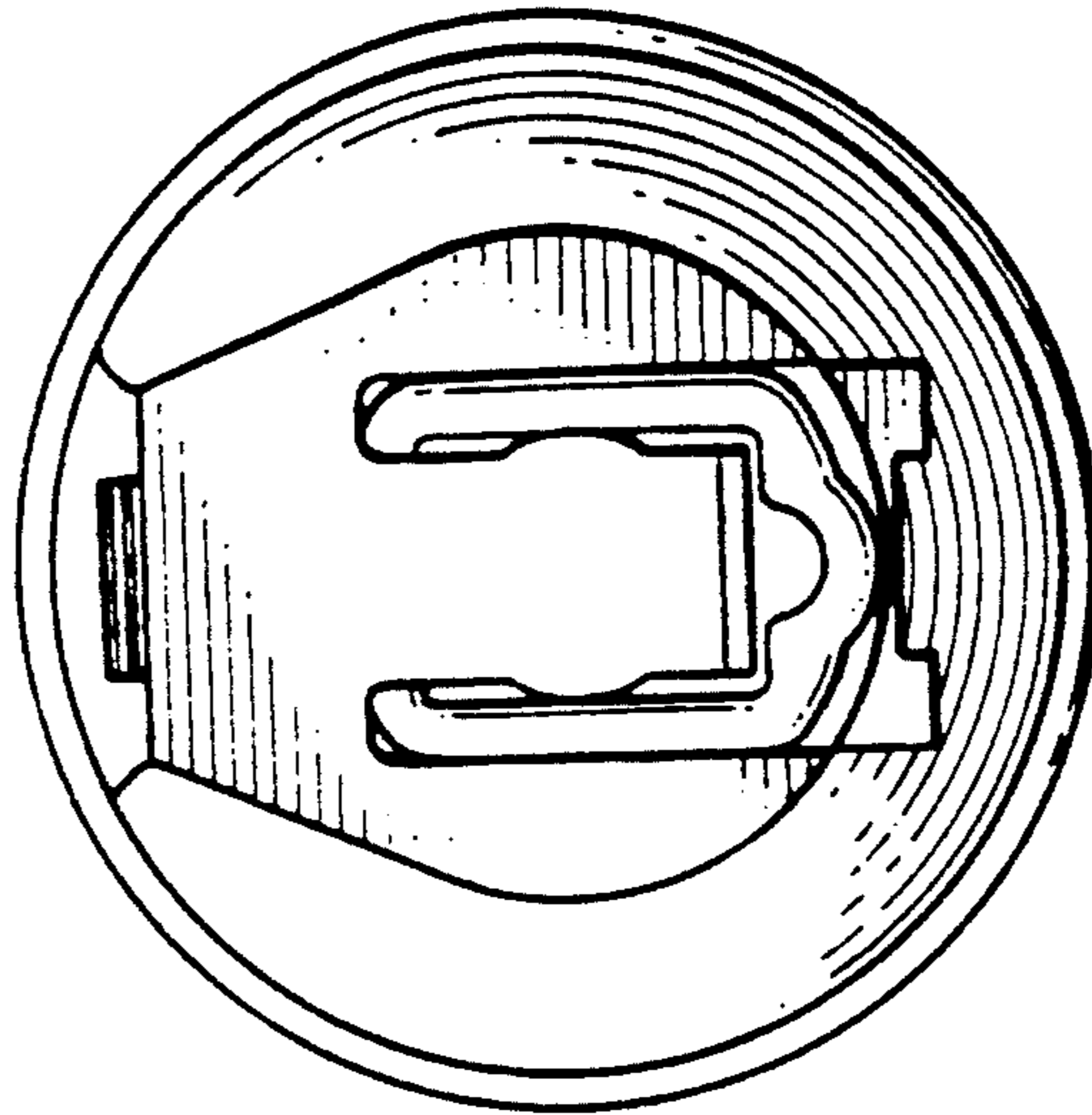


FIG. 2

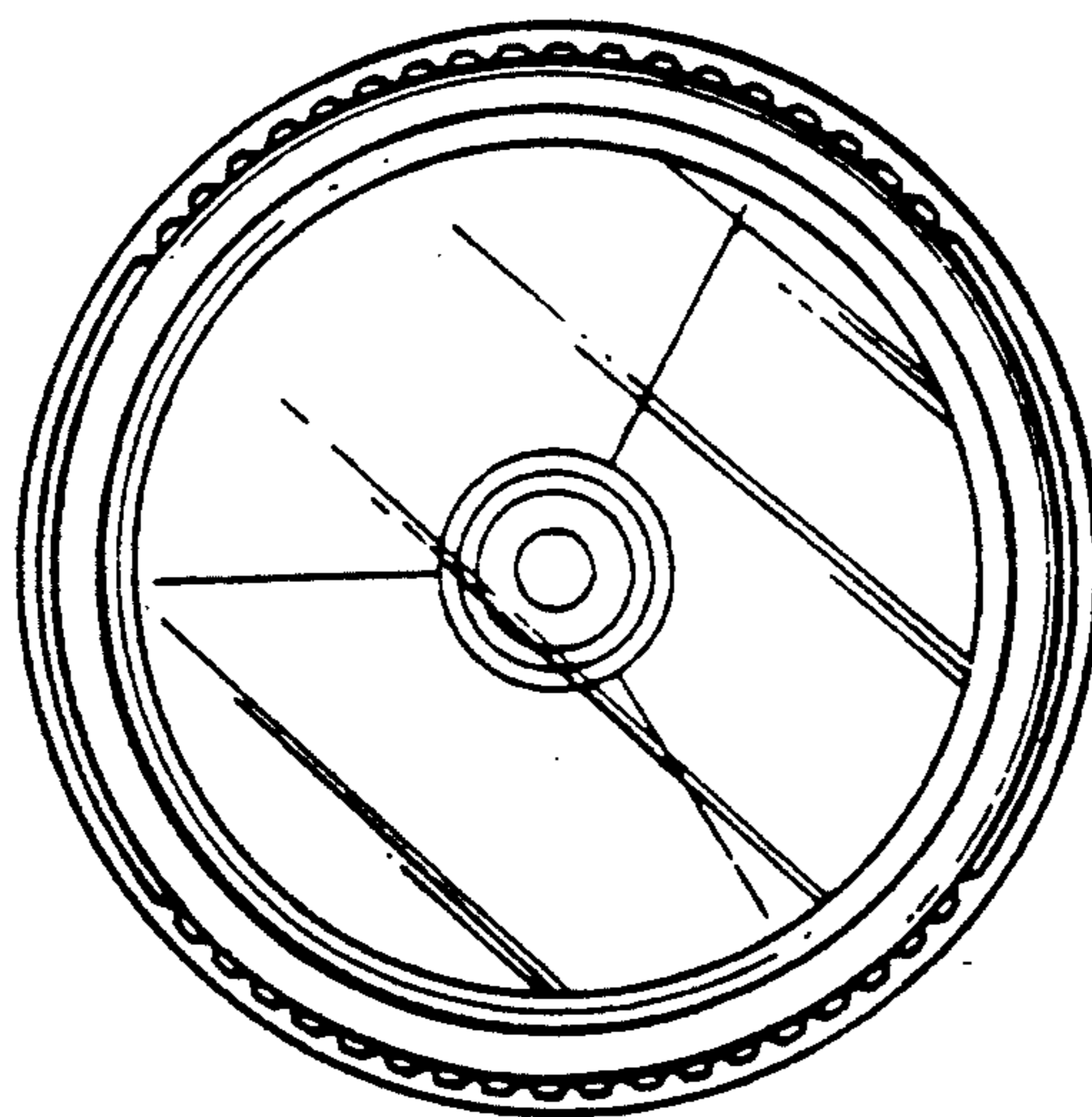


FIG. 4

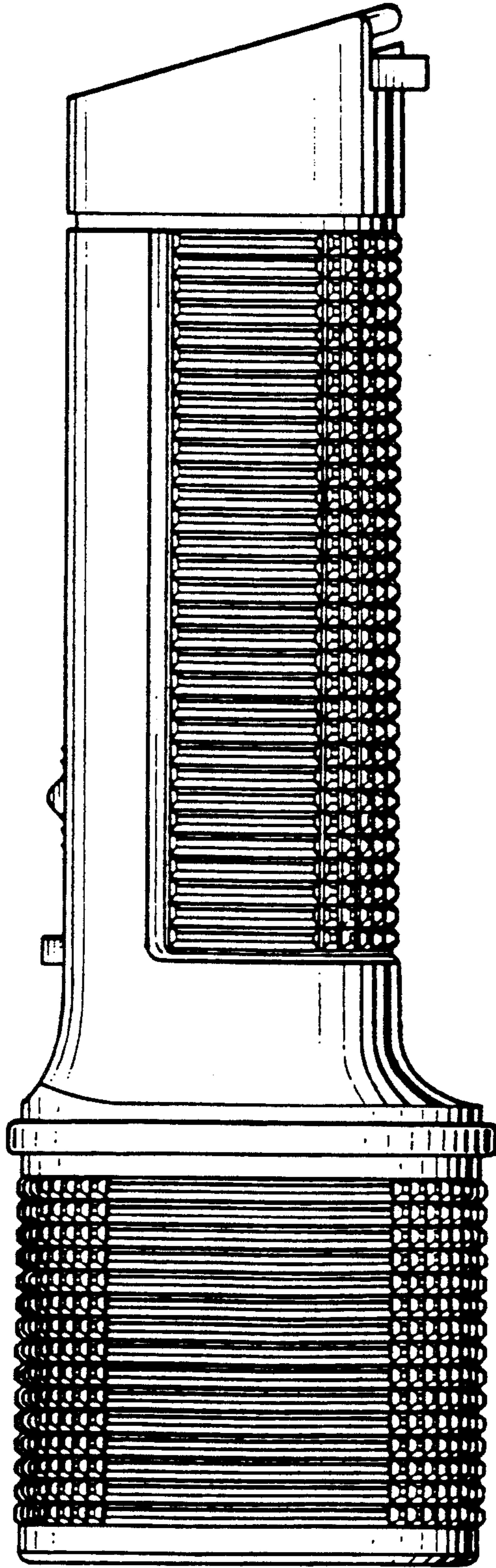


FIG. 5

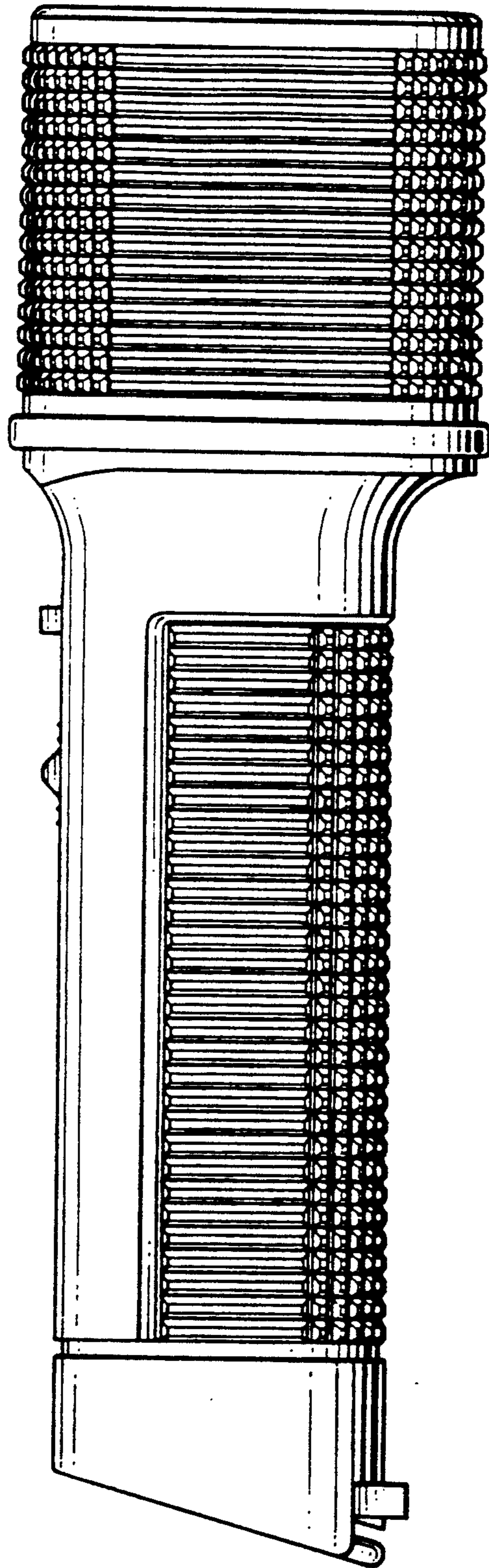


FIG. 6

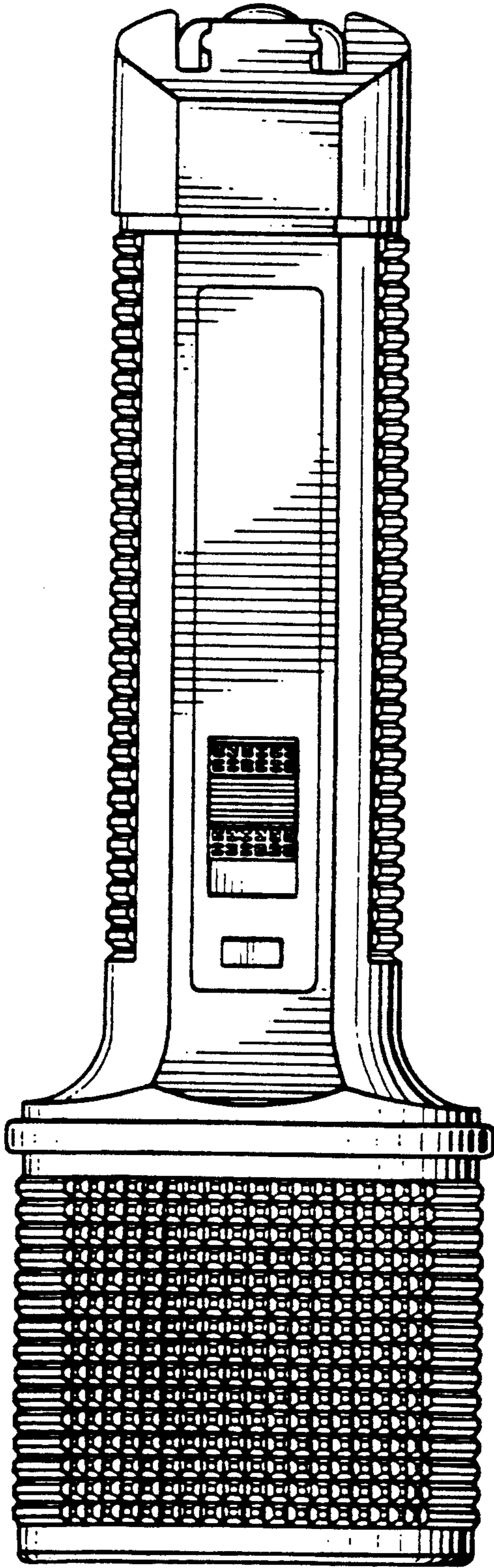


FIG. 7

