



US00D336962S

United States Patent [19]

Cole

[11] Patent Number: **Des. 336,962**

[45] Date of Patent: **** Jun. 29, 1993**

[54] WINDOW COMPONENT EXTRUSION

[75] Inventor: Douglas L. Cole, Seattle, Wash.

[73] Assignee: Mikron Industries, Kent, Wash.

[**] Term: 14 Years

[21] Appl. No.: 687,430

[22] Filed: Apr. 18, 1991

[52] U.S. Cl. D25/124

[58] Field of Search D25/52, 122, 124;
49/501, 504, DIG. 2; 52/202-204

D. 313,860 1/1991 Slocomb, Jr. D25/124
4,048,774 9/1977 Yamamoto 52/202
4,328,644 5/1982 Scott et al. 49/504

Primary Examiner—A. Hugo Word
Assistant Examiner—Doris Clark
Attorney, Agent, or Firm—Seed and Berry

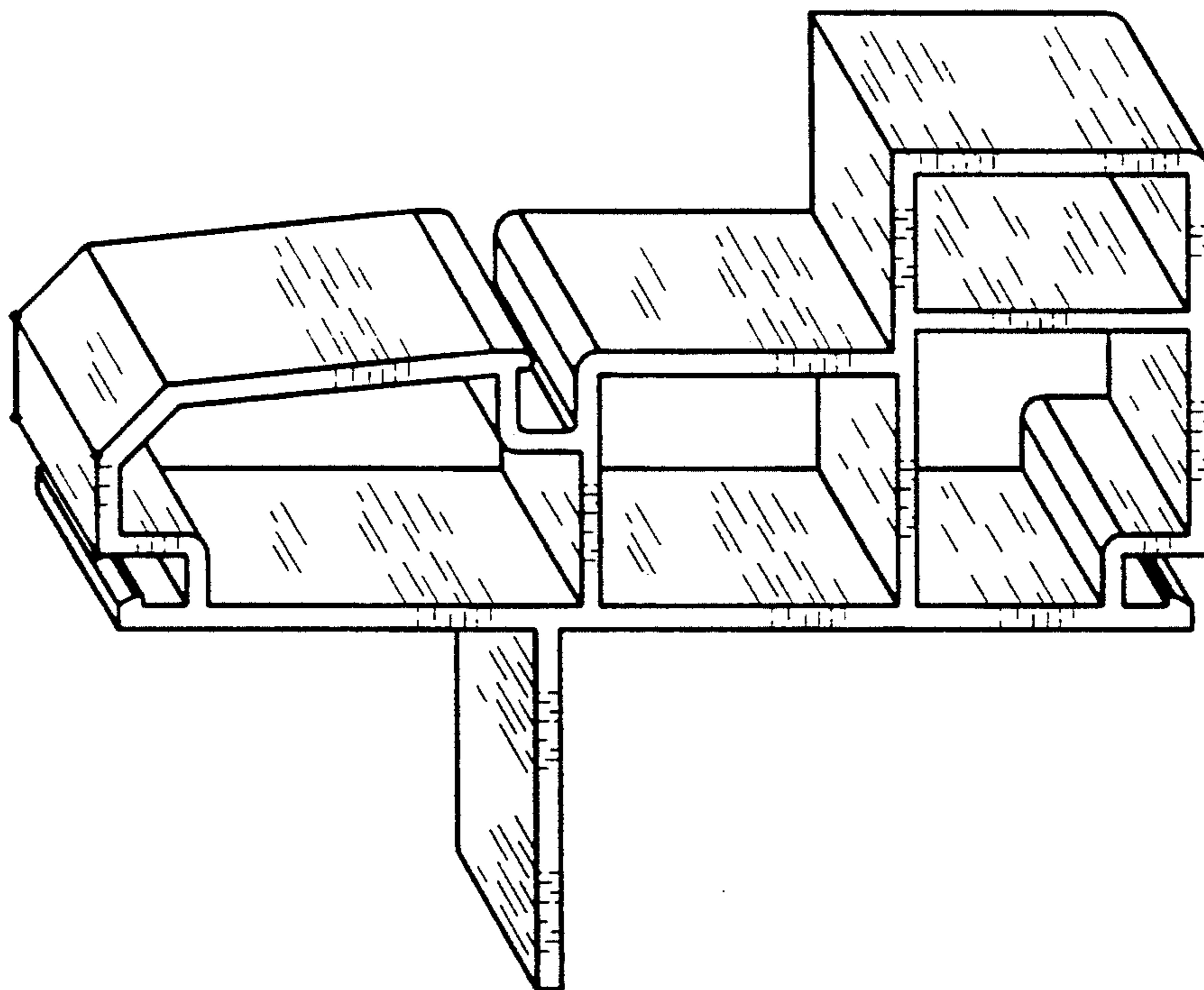
[57] CLAIM

The ornamental design for a window component extrusion, as shown and described.

DESCRIPTION

FIG. 1 is a perspective view of a window component extrusion showing my new design viewed from the top right; and,
FIG. 2 is a perspective view thereof viewed from the bottom left.

[56] **References Cited**
U.S. PATENT DOCUMENTS
D. 299,968 2/1989 Hardy D25/124
D. 308,105 5/1990 Hardy D25/124



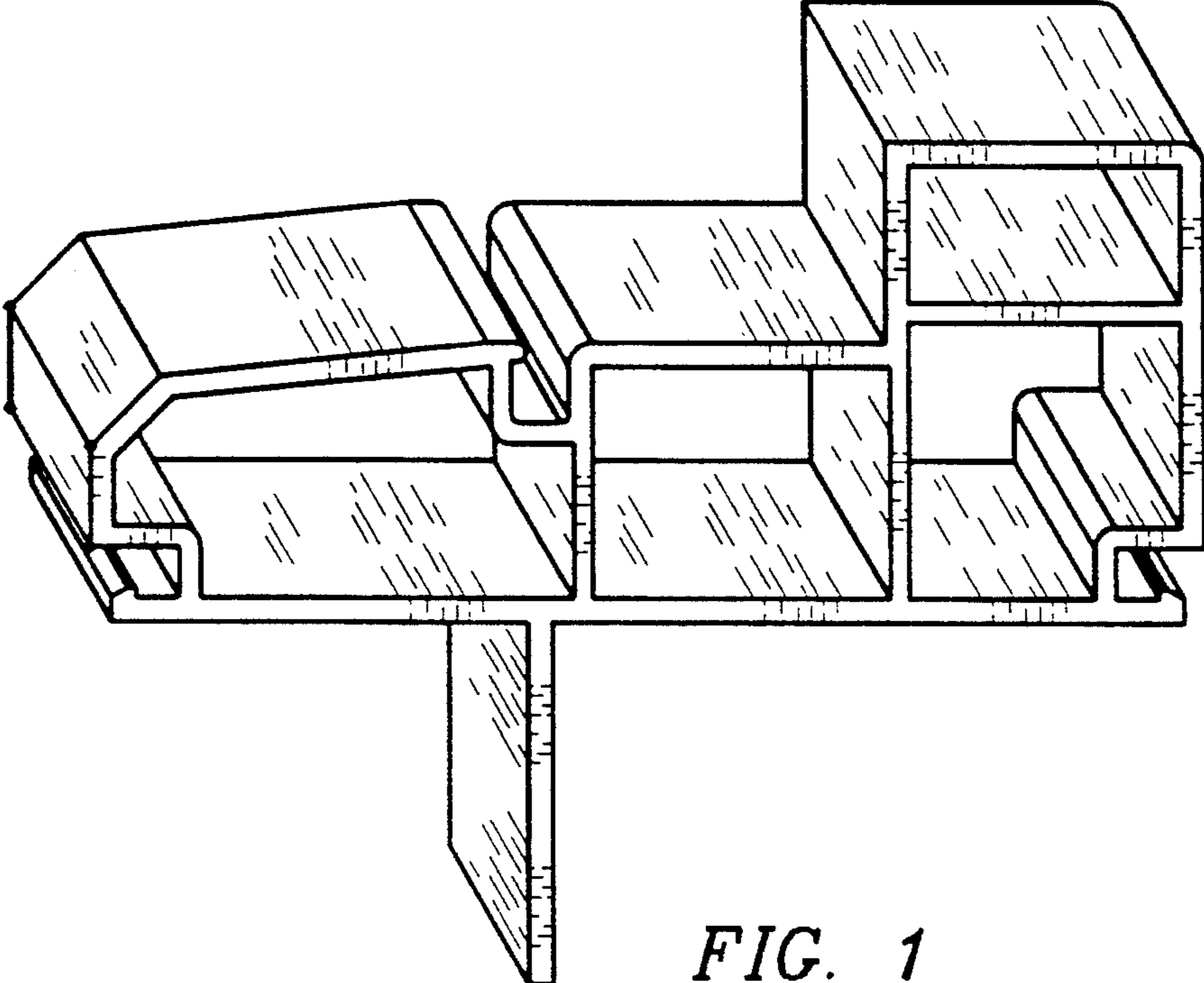


FIG. 1

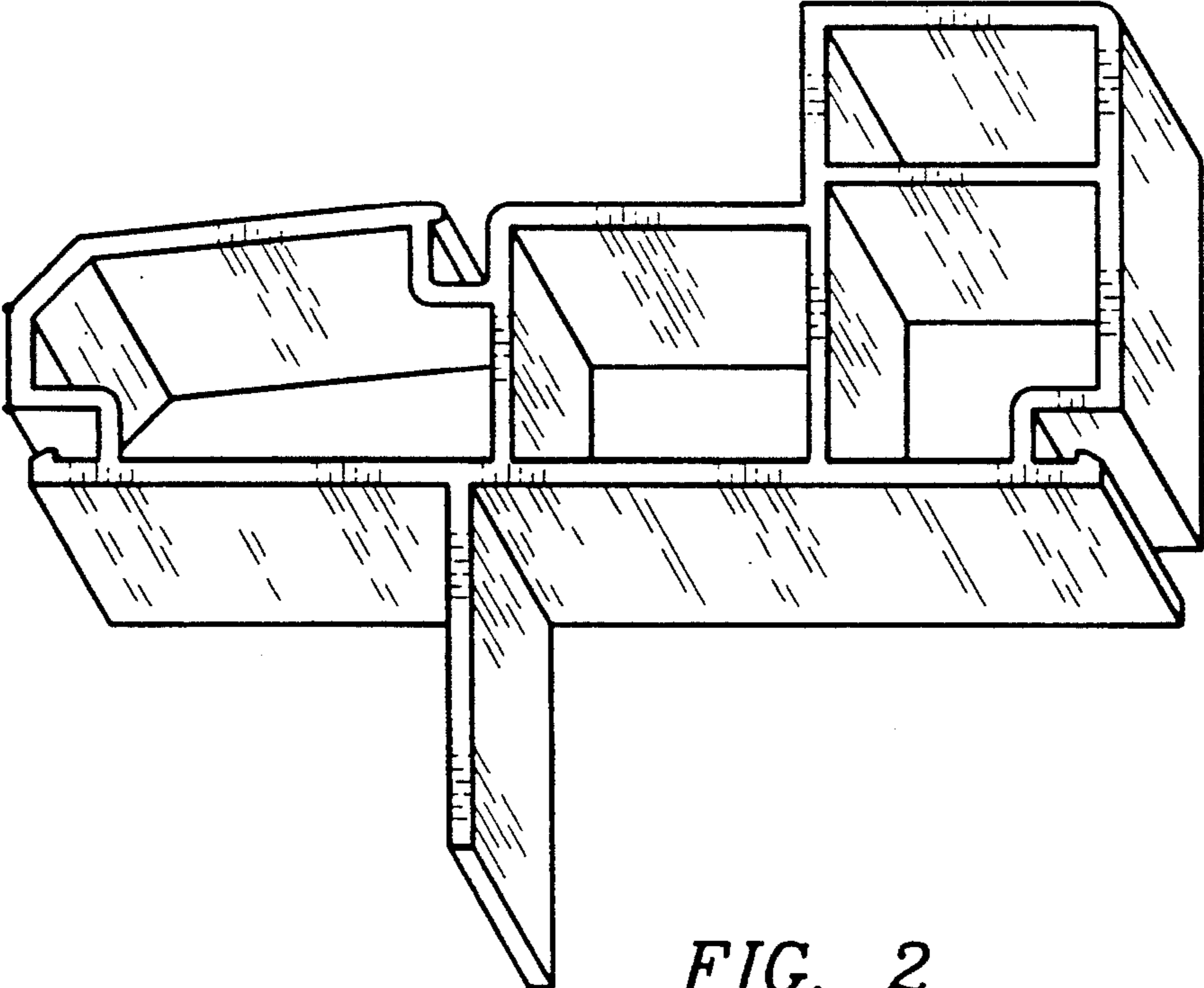


FIG. 2