



US00D336960S

# United States Patent [19]

Bedell

[11] Patent Number: **Des. 336,960**

[45] Date of Patent: **\*\* Jun. 29, 1993**

[54] ENCLOSURE FOR HOT TUB  
[76] Inventor: **Robert B. Bedell**, Rte. 1, Box 1656,  
Lopez Island, Wash. 98261

3,375,831 4/1968 Serbus ..... 135/106 X  
3,807,101 4/1974 Cole ..... D25/18 X  
4,365,368 12/1982 Boggs ..... 4/596  
4,501,099 2/1985 Boaz ..... 52/82

[\*\*] Term: **14 Years**

*Primary Examiner*—A. Hugo Word  
*Assistant Examiner*—Doris V. Coles  
*Attorney, Agent, or Firm*—Christensen, O'Connor,  
Johnson & Kindness

[21] Appl. No.: **671,309**

[22] Filed: **Mar. 19, 1991**

[52] U.S. Cl. .... **D25/19; D25/2;**  
D25/16

[57] **CLAIM**

The ornamental design for an enclosure for hot tub, as shown and described.

[58] Field of Search ..... **D25/15, 16, 18, 19,**  
D25/31, 1, 2; 47/17; D24/203; 52/80, 81, 86,  
82; 135/117, 106; D23/283; 4/596, 524

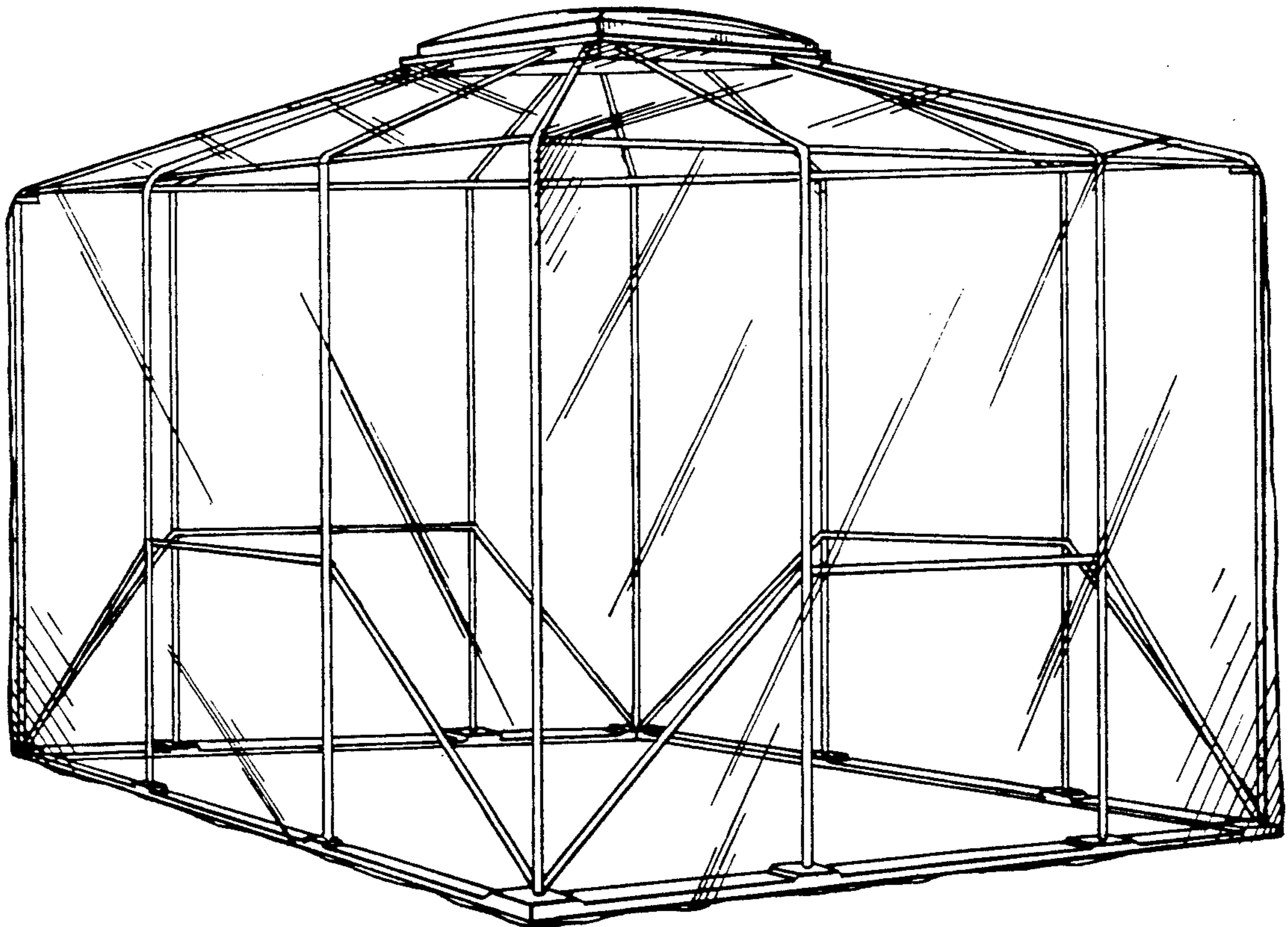
**DESCRIPTION**

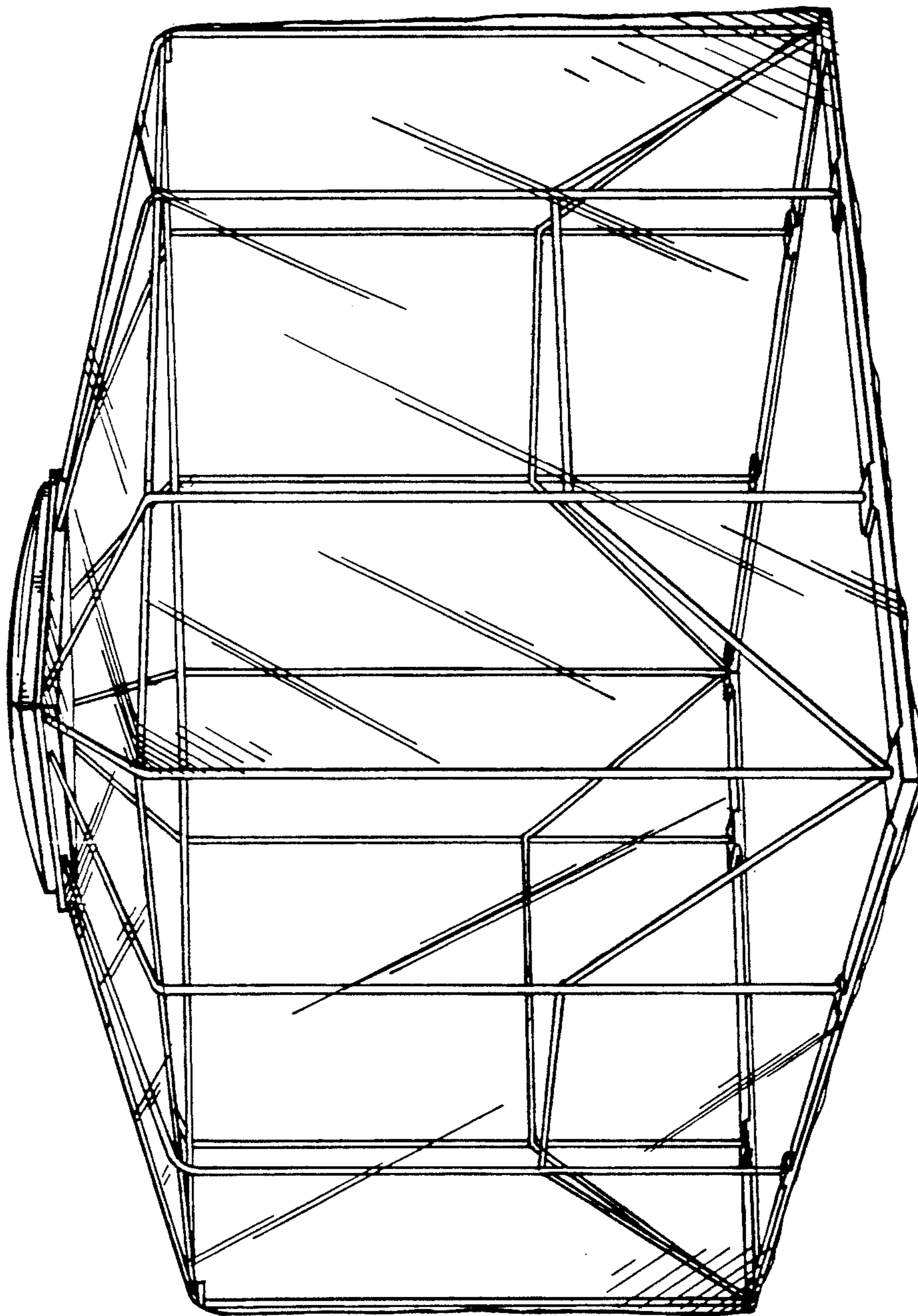
[56] **References Cited**

**U.S. PATENT DOCUMENTS**

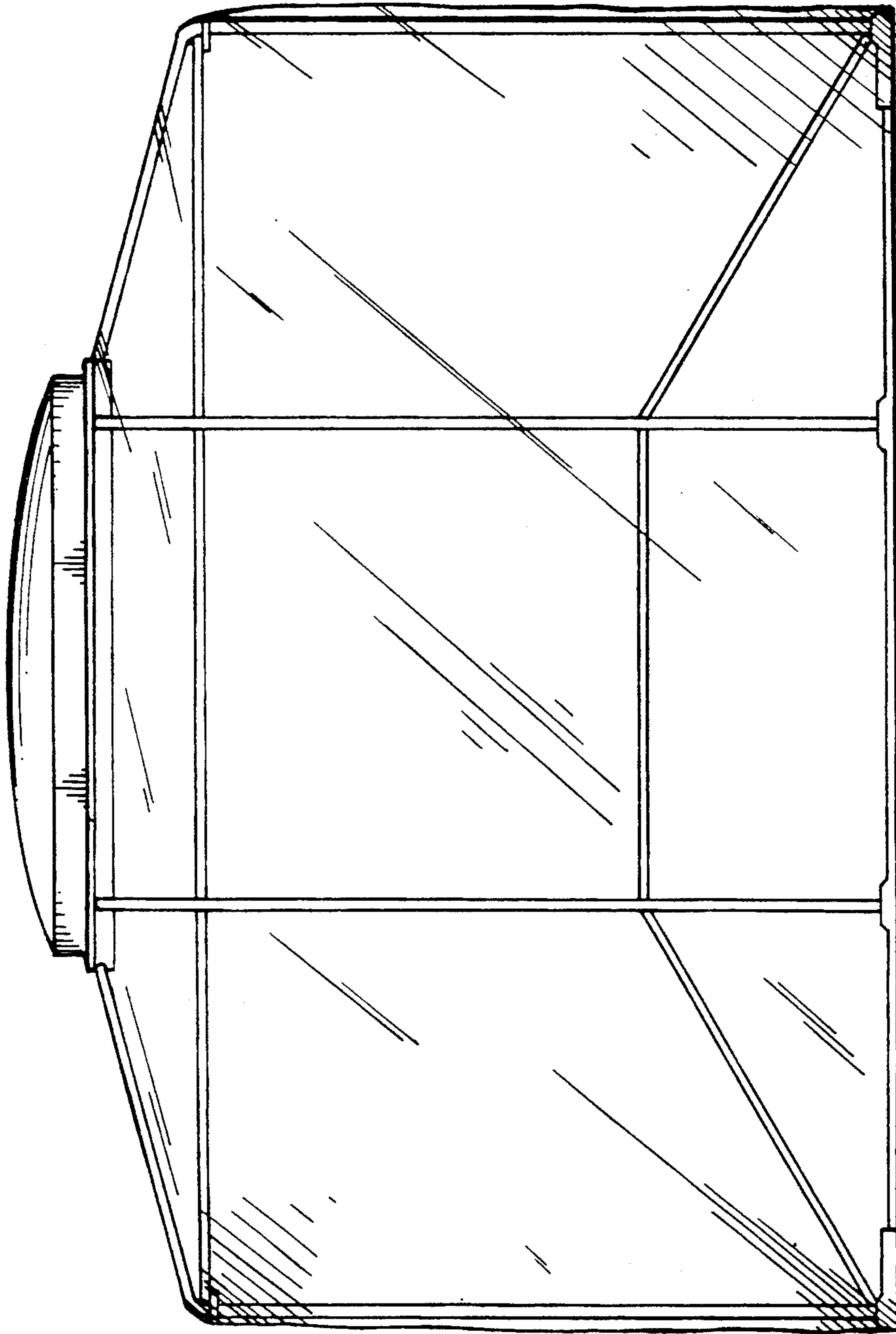
D. 251,503 4/1979 Truitt, Jr. .... D25/31 X  
2,847,017 8/1958 Drago ..... 135/106  
3,368,575 2/1968 Besonen ..... 135/117 X

FIG. 1 is a perspective view of an enclosure for hot tub, showing my new design;  
FIG. 2 is a side elevational view, the opposite side, front and rear being a mirror image thereof;  
FIG. 4 is a top plan view thereof; and,  
FIG. 5 is a bottom plan view thereof.

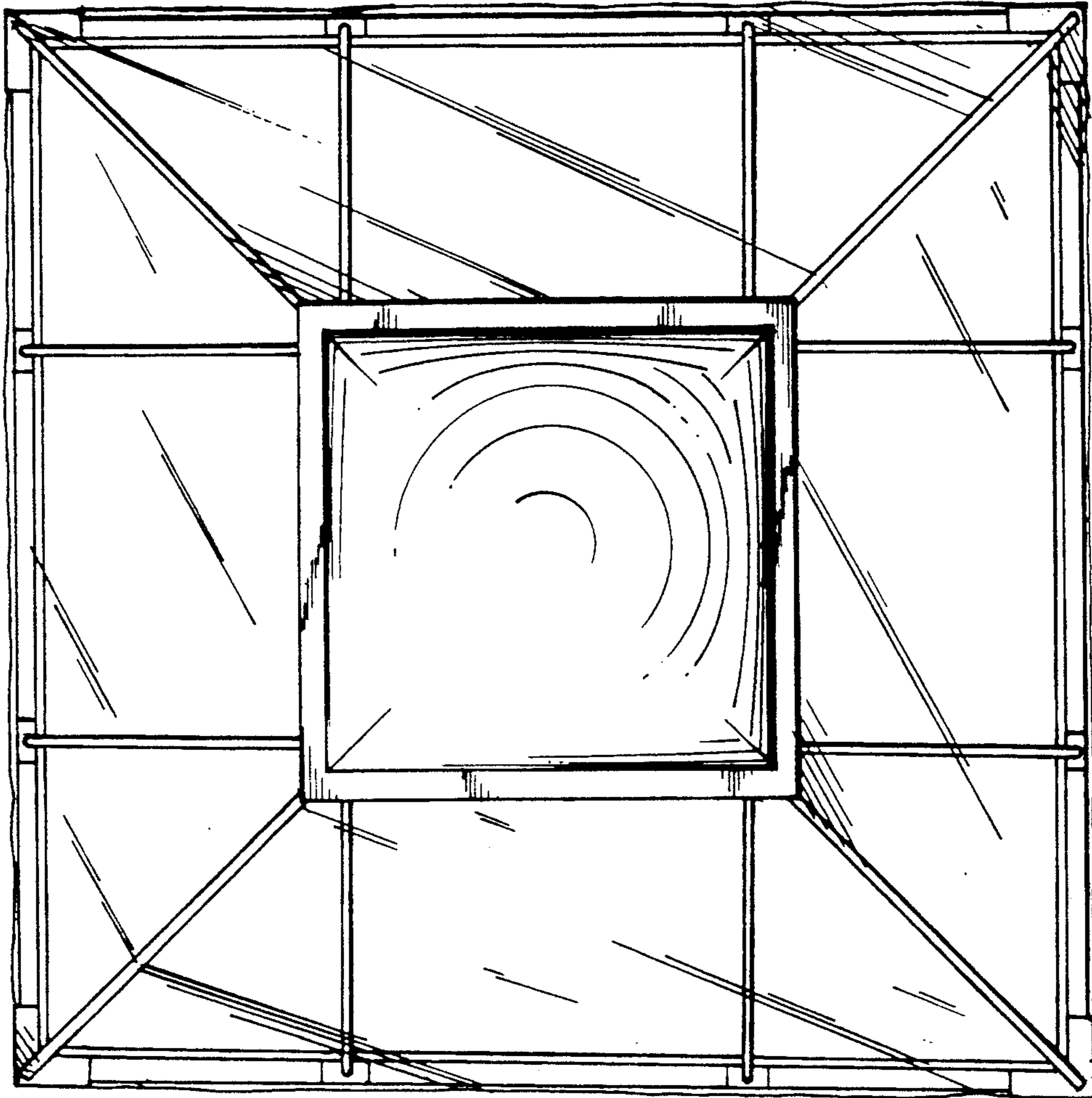




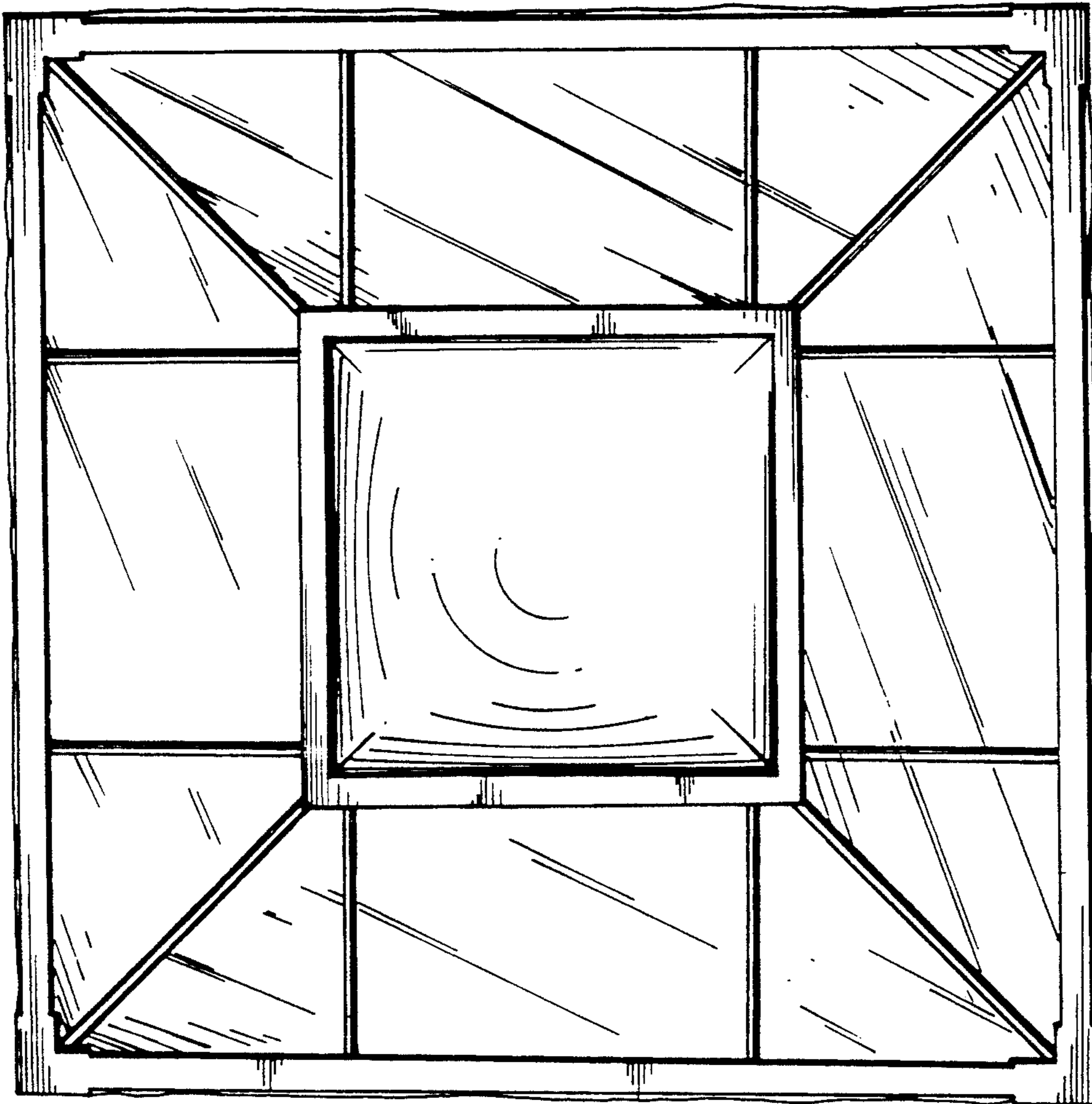
*Fig. 1.*



*W. E. Brown*



*Fig. 3.*



*Fig. 4.*