



US00D336952S

# United States Patent [19]

[11] Patent Number: **Des. 336,952**

Raneo

[45] Date of Patent: **\*\* Jun. 29, 1993**

## [54] ROOF VENT

[76] Inventor: **Wallace M. Raneo**, 9 Raneo Way,  
Harwichport, Mass. 02646

[\*\*] Term: **14 Years**

[21] Appl. No.: **834,505**

[22] Filed: **Feb. 11, 1992**

[52] U.S. Cl. .... **D23/393**

[58] Field of Search ..... **D23/393; 52/199, 198;  
454/367, 368**

## [56] References Cited

### U.S. PATENT DOCUMENTS

D. 276,543	11/1984	Hisey .....	D23/393
2,825,276	3/1958	Porter .....	454/367
4,538,508	9/1985	Ballard .....	454/368
4,549,475	10/1985	Snyder .....	454/367
4,593,504	6/1986	Bonnici et al. ....	52/199

## OTHER PUBLICATIONS

Adelta Manufacturing Co., Inc. Cat., p. 14, Chimney Hood, bottom left side of page.

*Primary Examiner*—Wallace R. Burke

*Assistant Examiner*—Lisa Lichtenstein

## [57] CLAIM

The ornamental design for a roof vent, as shown.

## DESCRIPTION

FIG. 1 is a perspective view of the roof vent showing my decorative design;

FIG. 2 is an exploded perspective view thereof;

FIG. 3 is a front elevation view;

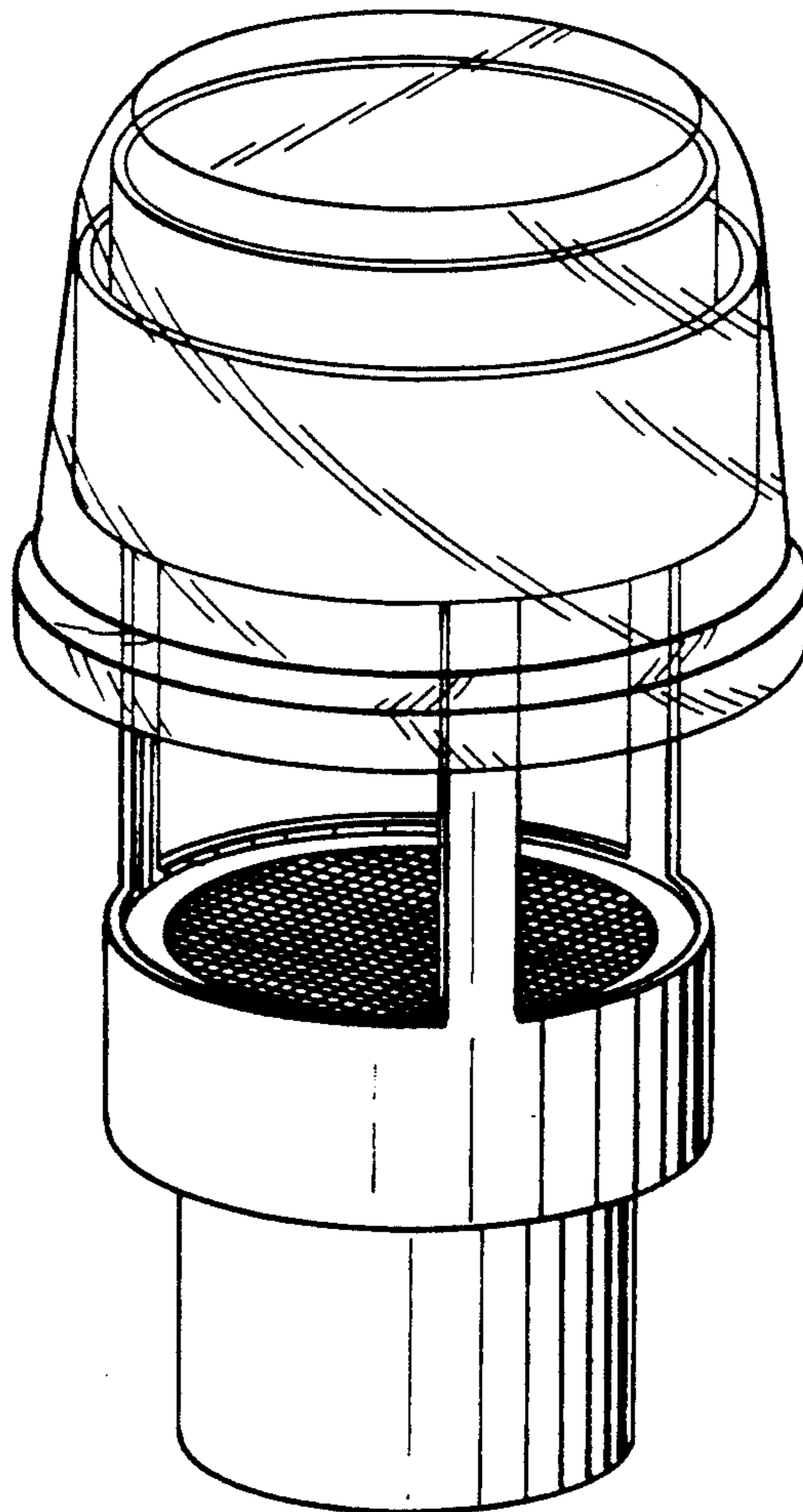
FIG. 4 is a rear elevation view;

FIG. 5 is a left side elevation view;

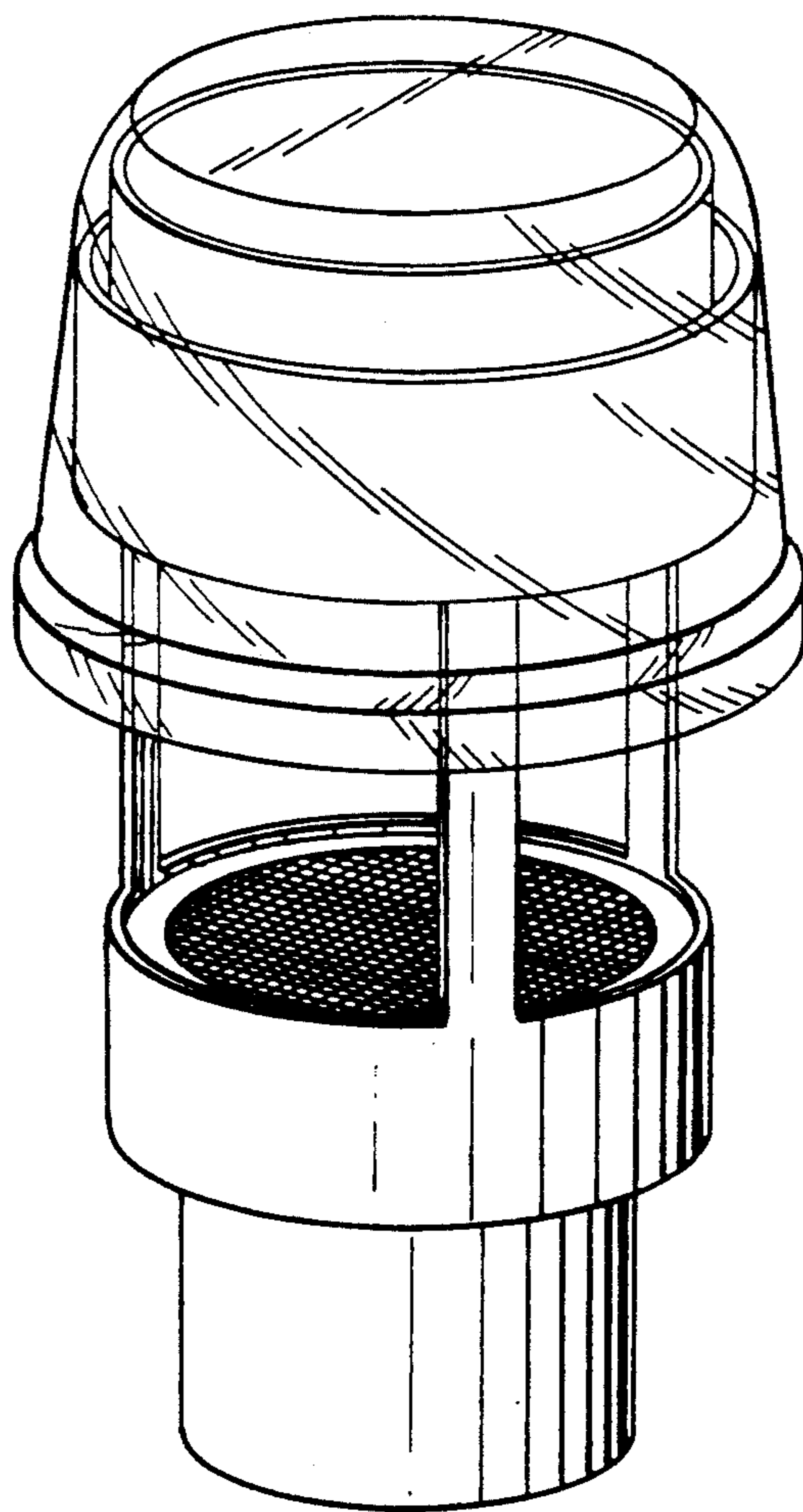
FIG. 6 is a right side elevation view;

FIG. 7 is a top plan view; and,

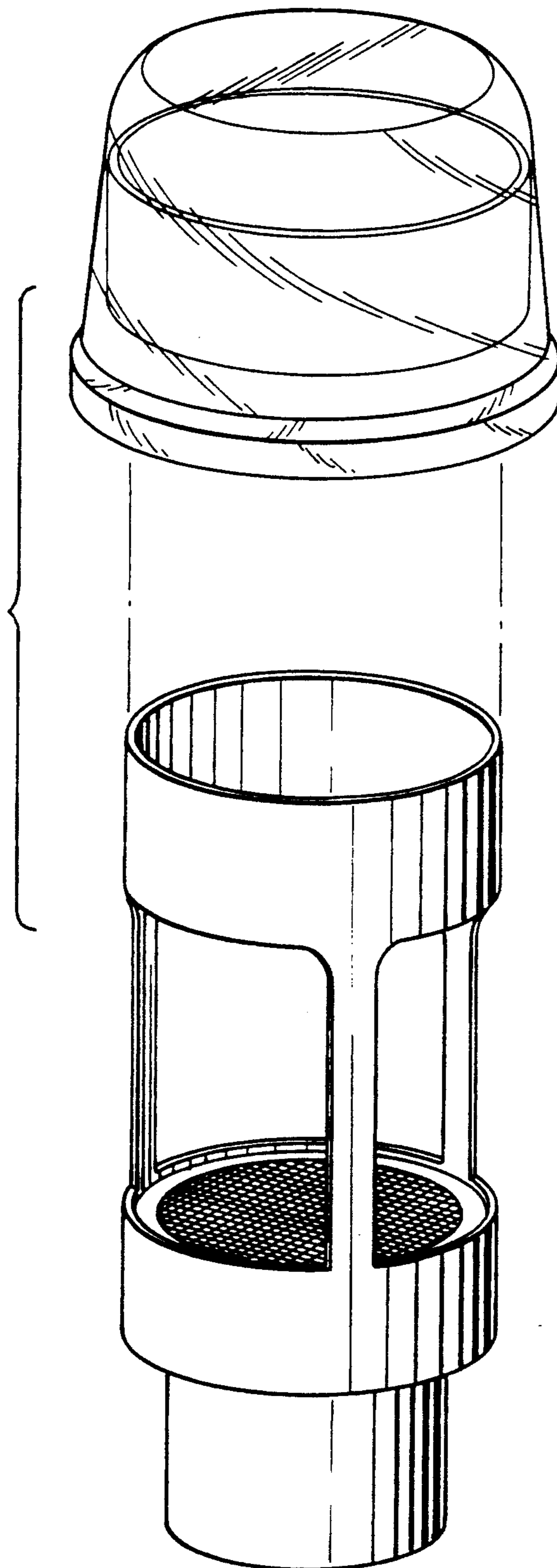
FIG. 8 is a bottom plan view thereof.



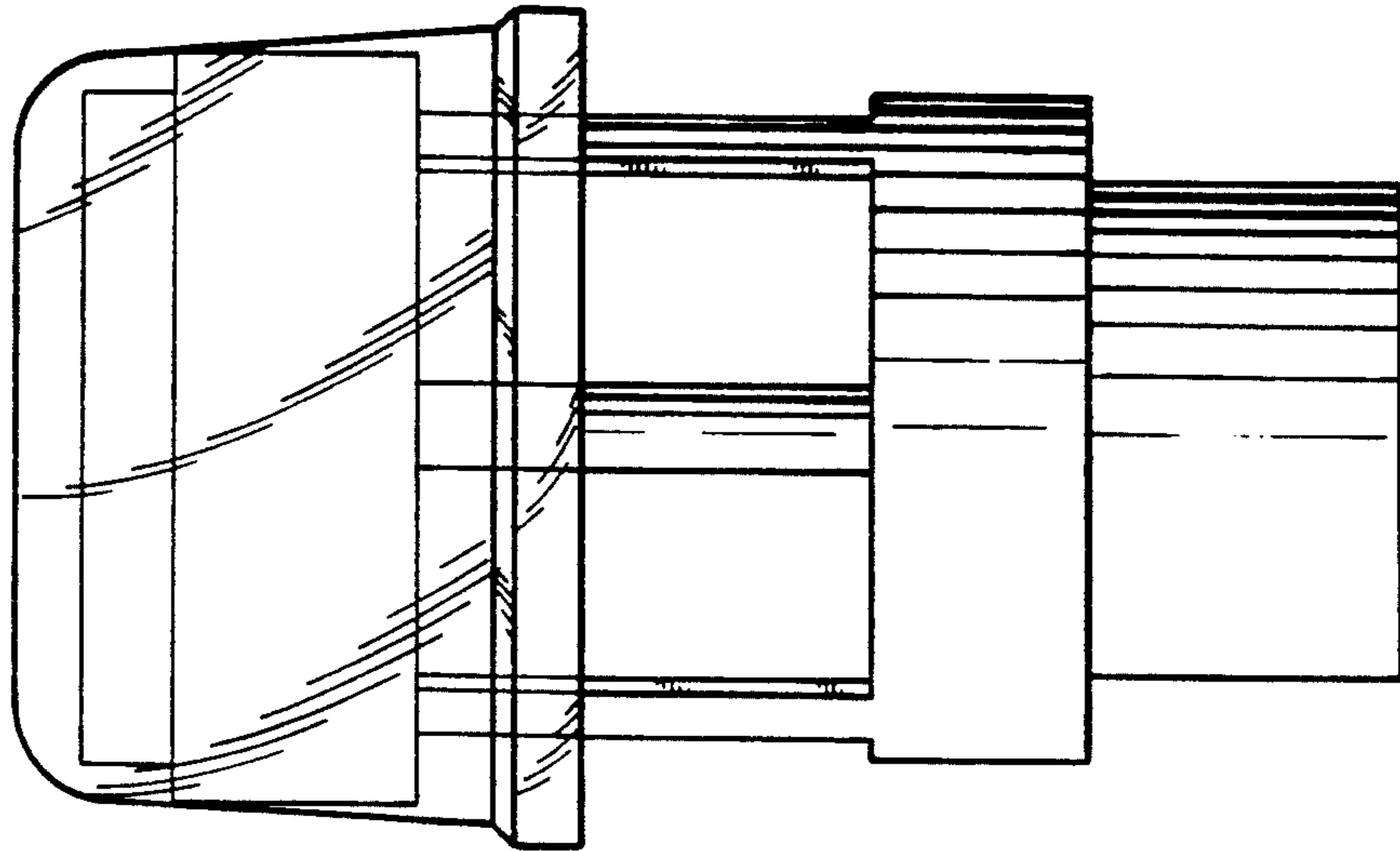
**FIG. 1**



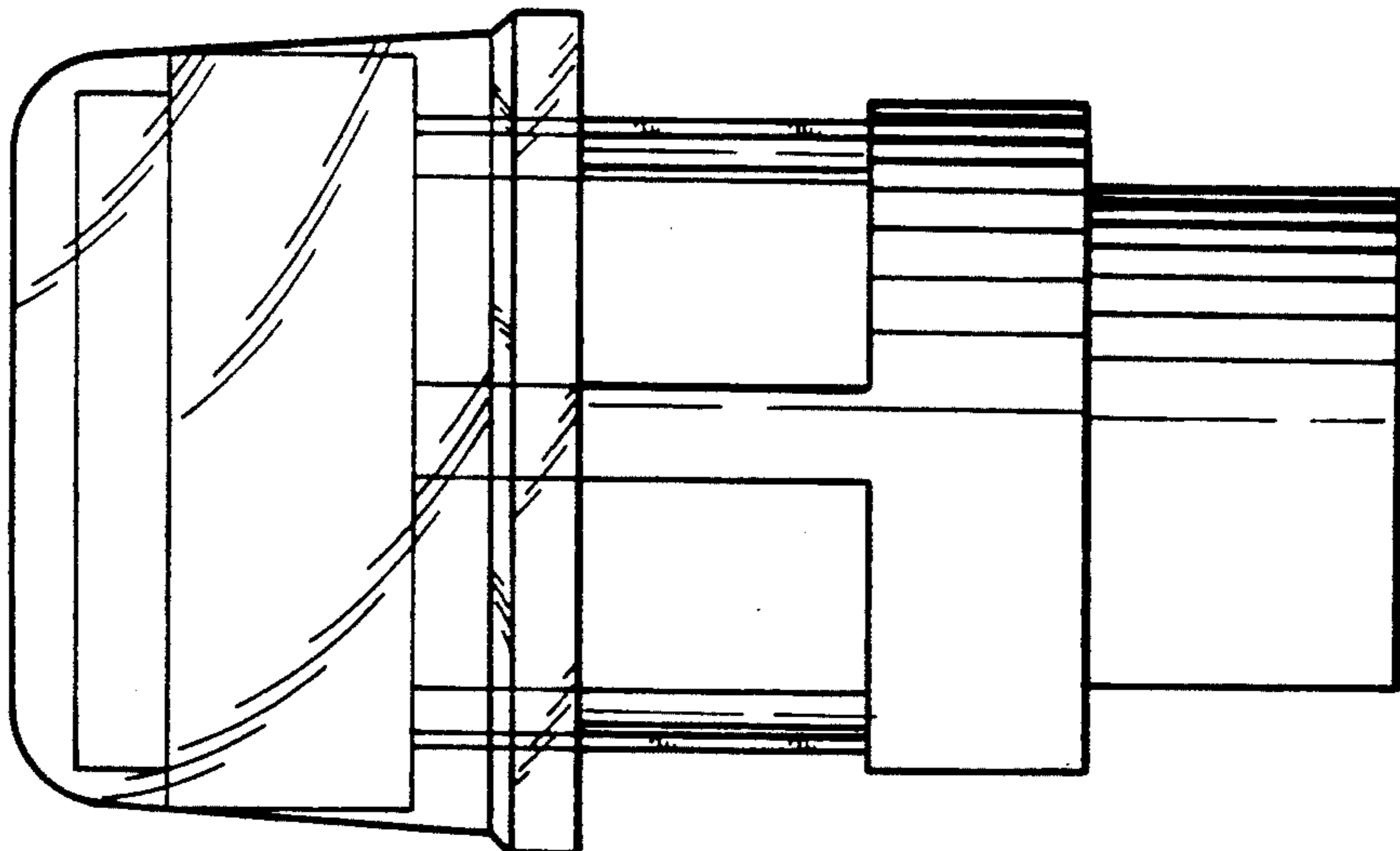
**FIG. 2**



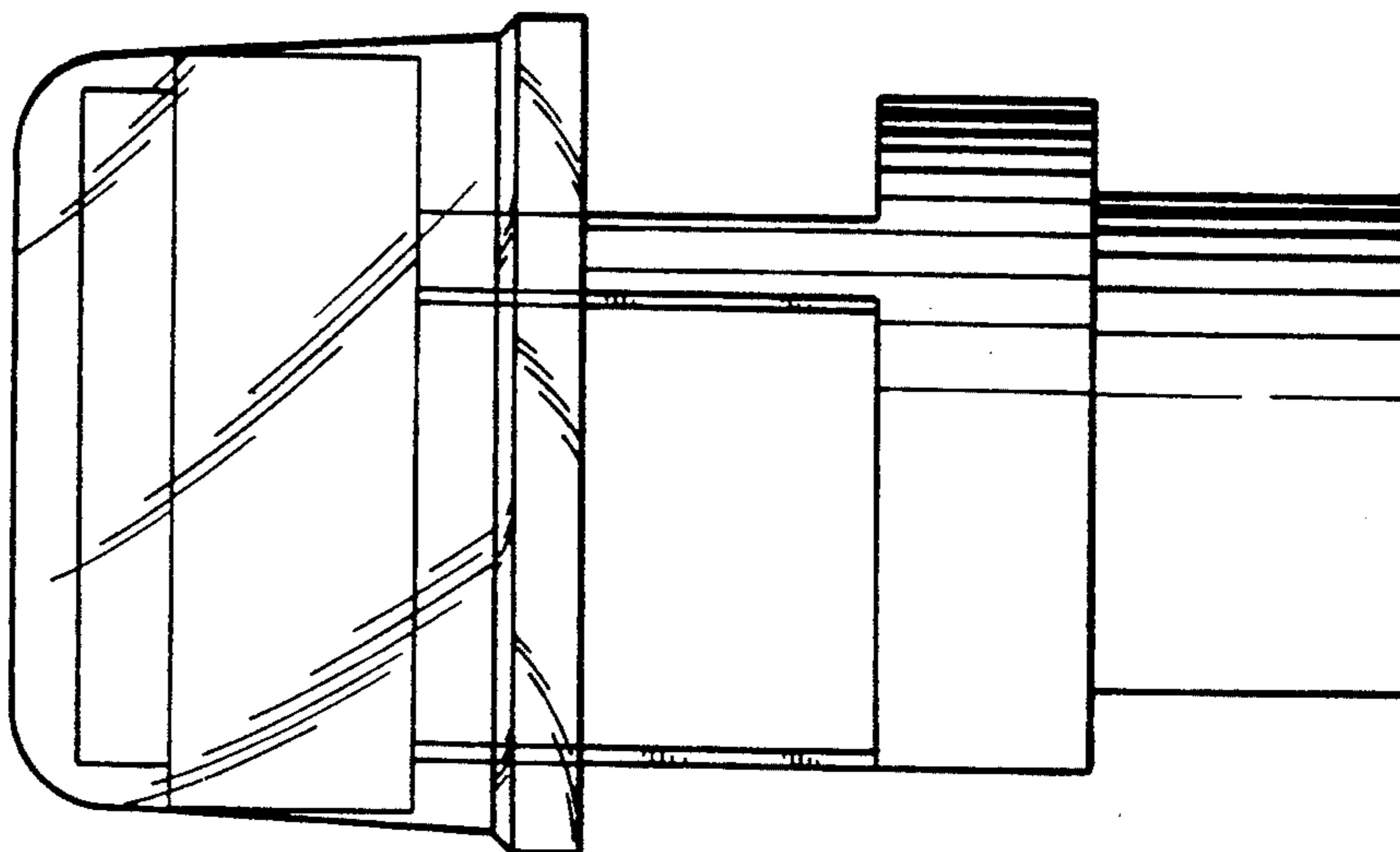
**FIG. 4**



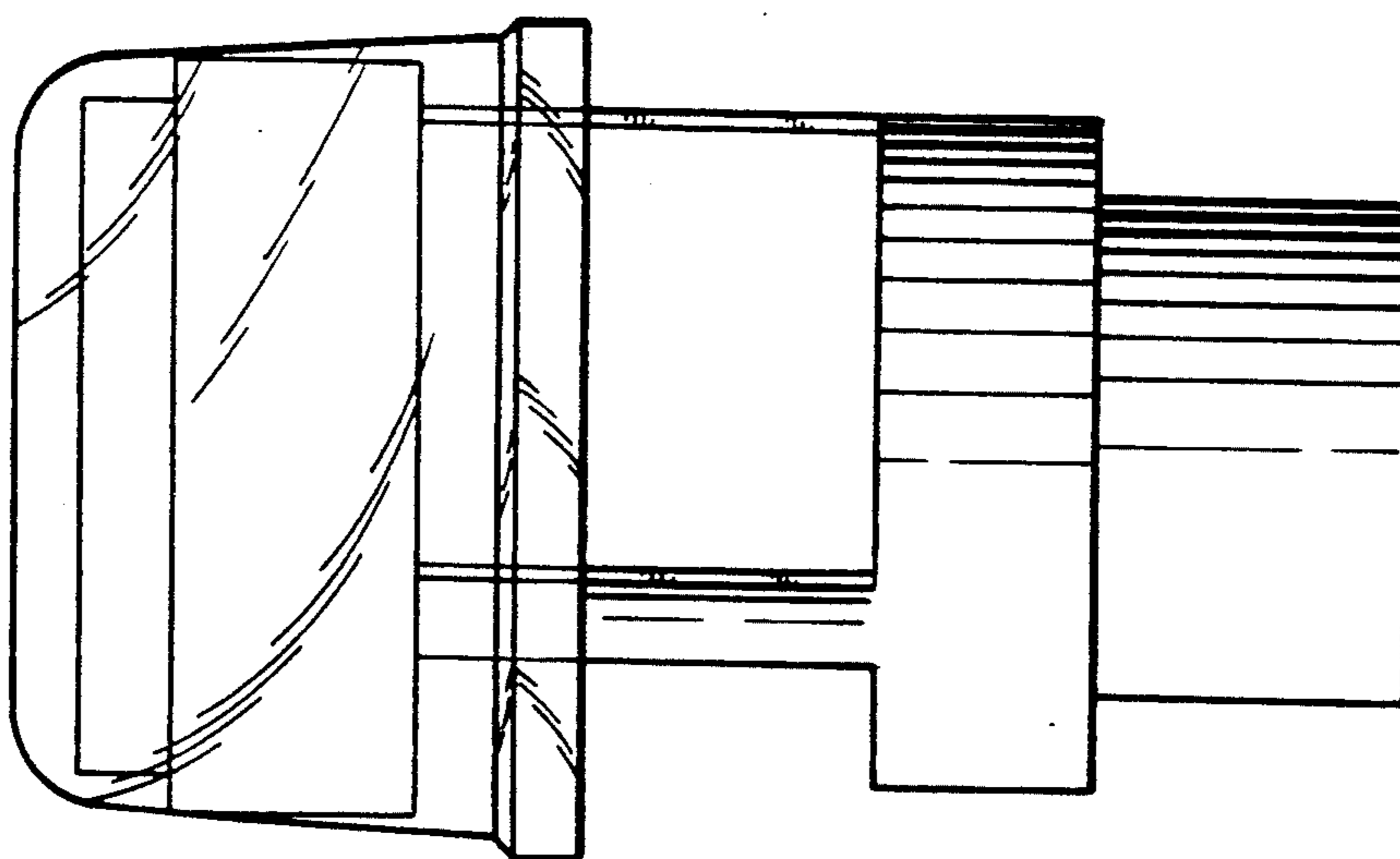
**FIG. 3**



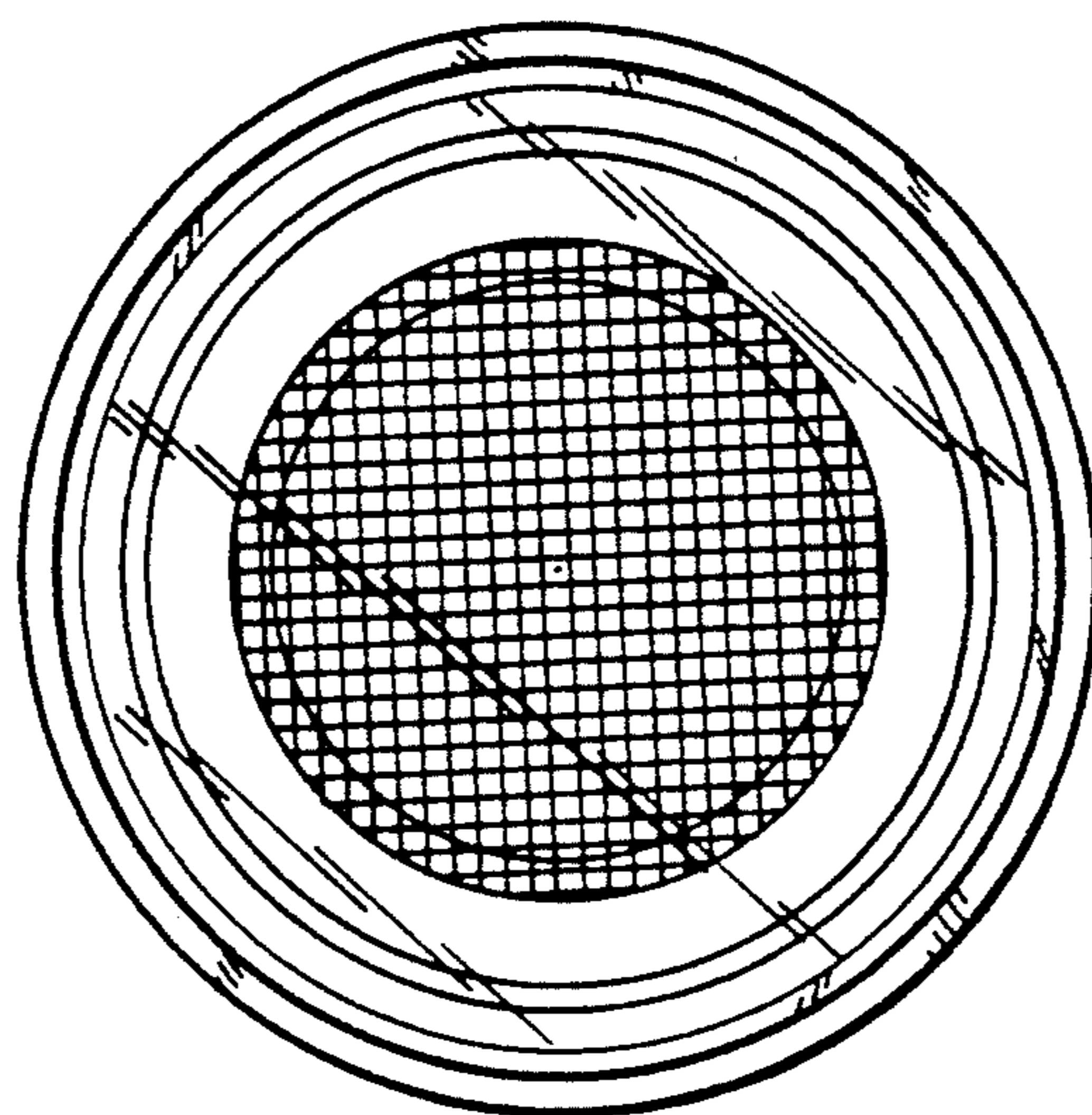
**FIG. 6**



**FIG. 5**



**FIG. 7**



**FIG. 8**

