



US00D336951S

# United States Patent [19]

[11] Patent Number: **Des. 336,951**

Lotito et al.

[45] Date of Patent: **\*\* Jun. 29, 1993**

[54] SINK

[76] Inventors: **Michael Lotito**, 19 Orchard St., Little Falls, N.J. 07424; **Charles Licastro**, 33 Sylvan, Pine Brook, N.J. 07058

[\*\*] Term: **14 Years**

[21] Appl. No.: **919,938**

[22] Filed: **Jul. 27, 1992**

D. 298,963	12/1988	Amont .....	D23/291
D. 316,295	4/1991	Colani .....	D23/287
D. 319,687	9/1991	Kohler, Jr. et al. ....	D23/287
2,026,952	1/1936	Reed et al. ....	D23/287 X
2,028,802	1/1936	Ottke .....	4/640 X
3,427,665	2/1969	Kaiser .....	4/640 X
4,624,020	11/1986	Abderhalden et al. ....	4/651

### FOREIGN PATENT DOCUMENTS

2237192	5/1991	United Kingdom .....	4/619
---------	--------	----------------------	-------

### OTHER PUBLICATIONS

Vance Clark, Catalog, admitted prior art per telephone call Sep. 18, 1992.

Elkay, catalog admitted prior art per telephone call Sep. 18, 1992.

Cambrian Collection, Catalog, admitted prior art per telephone call Sep. 18, 1992.

Sunline, Catalog, admitted prior art per telephone call Sep. 18, 1992.

Frank, Catalog, admitted prior art per telephone call Sep. 18, 1992.

"Corner Sink", *Domestic Engineering*, p. 111, Jan. 1962.

*Primary Examiner*—James R. Largen

### [57] CLAIM

The ornamental design for a sink, as shown.

### DESCRIPTION

FIG. 1 is a top plan view of a sink showing our new design;

FIG. 2 is a front elevational view thereof;

FIG. 3 is a right side elevational view thereof;

FIG. 4 is a left side elevational view thereof;

FIG. 5 is a rear elevational view thereof; and,

FIG. 6 is a top perspective view thereof.

### Related U.S. Application Data

[60] Division of Ser. No. 891,754, Jun. 1, 1992, which is a continuation-in-part of Ser. No. 585,359, Sep. 20, 1990, Pat. No. D. 326,711.

[52] U.S. Cl. .... **D23/290**

[58] Field of Search ..... **D23/284-294;**  
**4/619, 639, 640, 642**

### [56] References Cited

#### U.S. PATENT DOCUMENTS

D. 103,925	4/1937	Carlton .....	D23/288
D. 149,632	5/1948	Green .....	D23/294
D. 170,727	10/1953	Stanitz .....	D23/288
D. 183,047	6/1958	Helmer .....	44/15
D. 192,412	3/1962	Forsman .....	D23/290 X
D. 203,802	2/1966	Graning, Jr. ....	D23/290
D. 206,048	10/1966	Armstrong .....	D23/290
D. 217,967	7/1970	Korol .....	D23/284
D. 222,586	11/1971	Hives .....	D23/294
D. 224,533	8/1972	Hauser .....	D23/290
D. 226,378	2/1973	Doman .....	D23/290
D. 227,103	6/1973	Lippert et al. ....	D23/294
D. 232,093	7/1974	Schrock .....	D23/284
D. 244,534	5/1977	Gruber .....	D23/288
D. 252,100	6/1979	Morris et al. ....	D23/284
D. 285,031	8/1986	Clark .....	D6/511

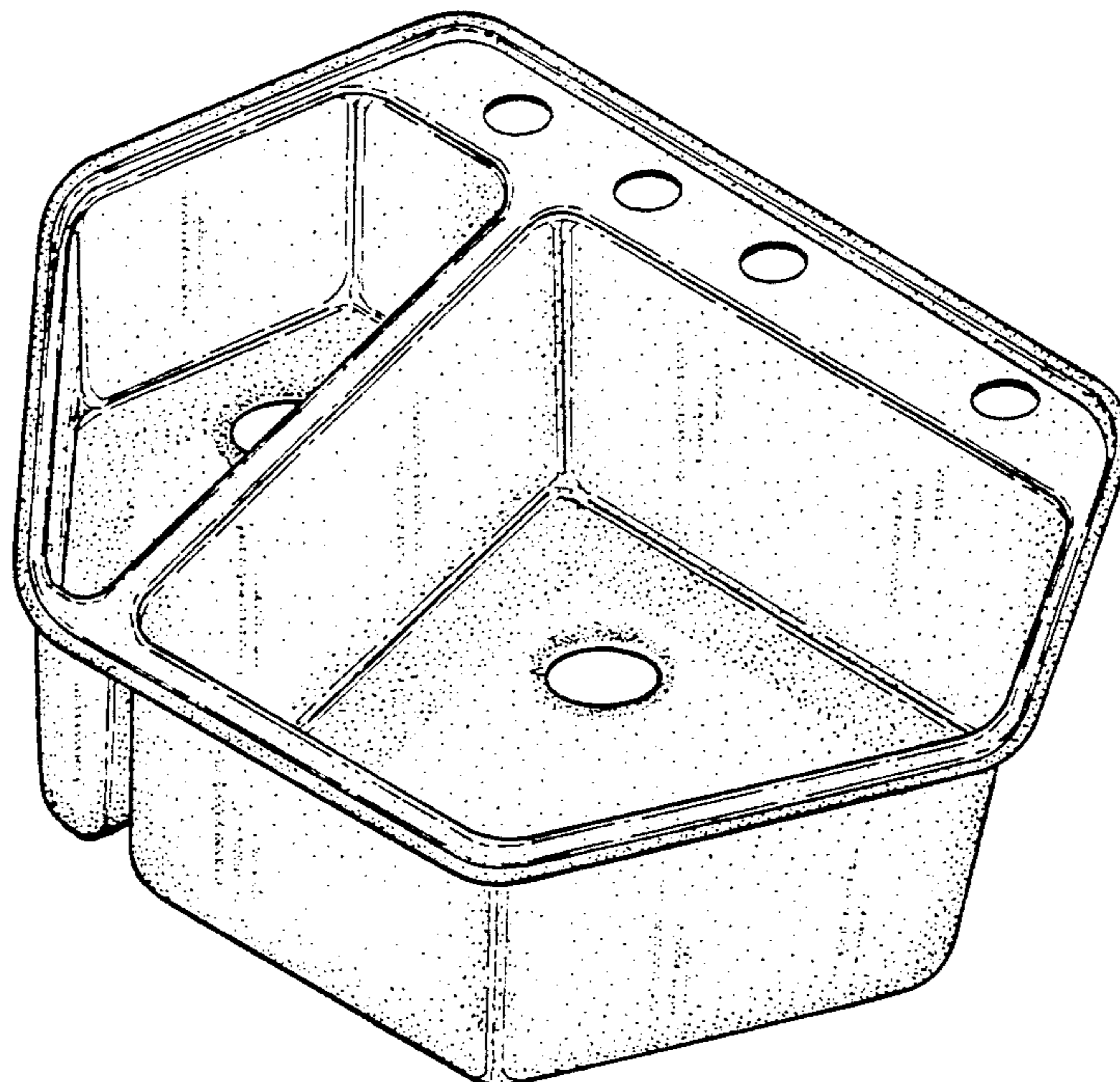


FIG. 1

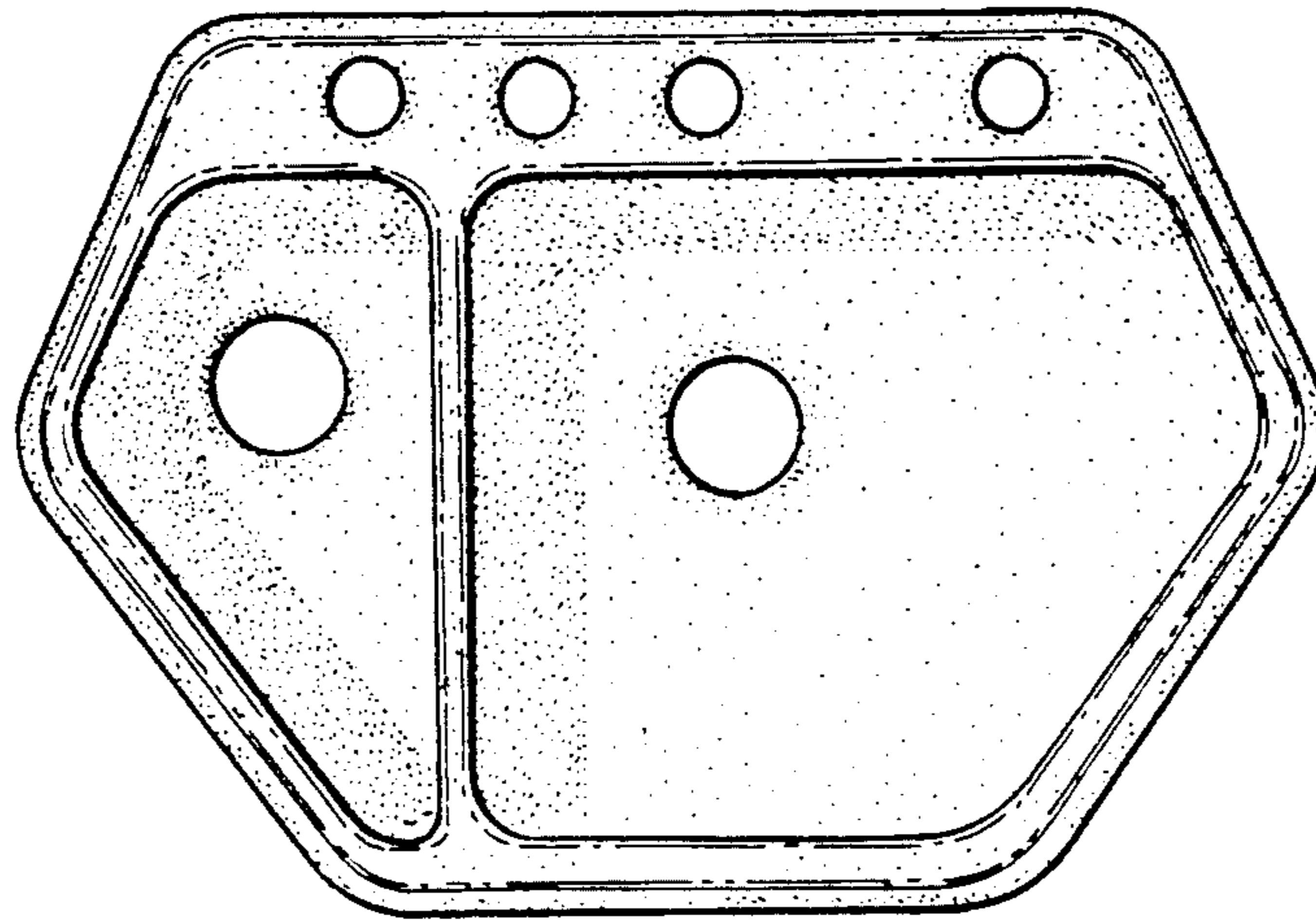


FIG. 2

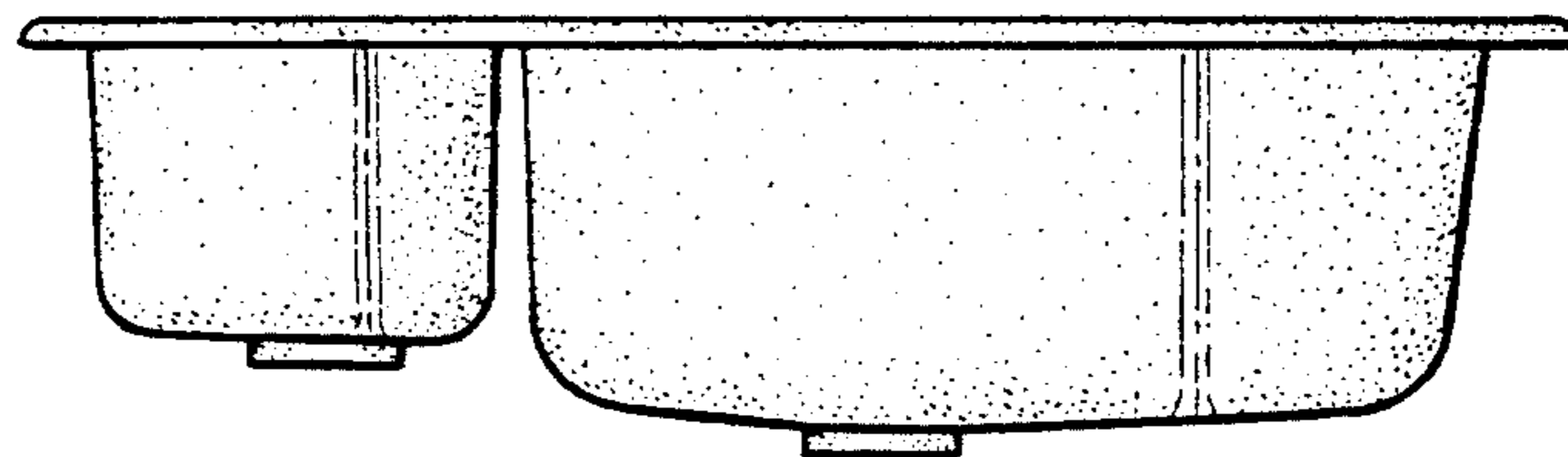


FIG. 3

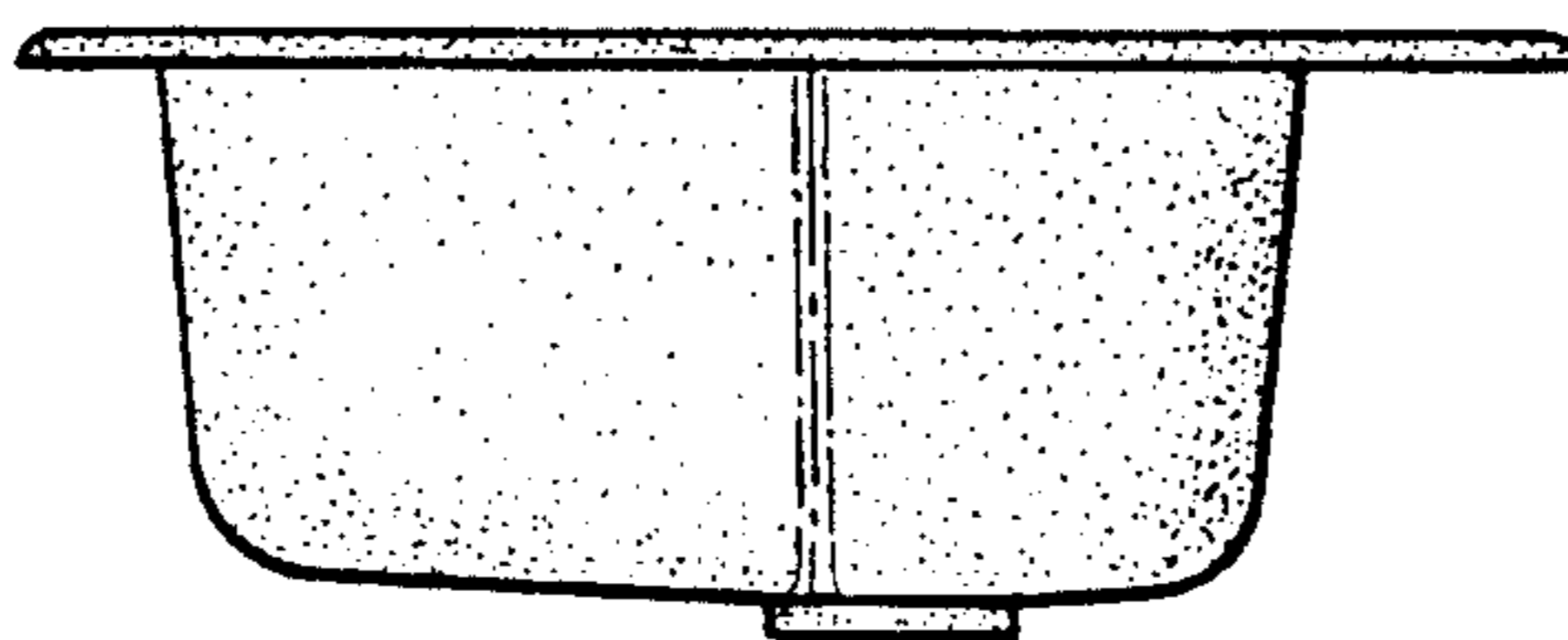


FIG. 4

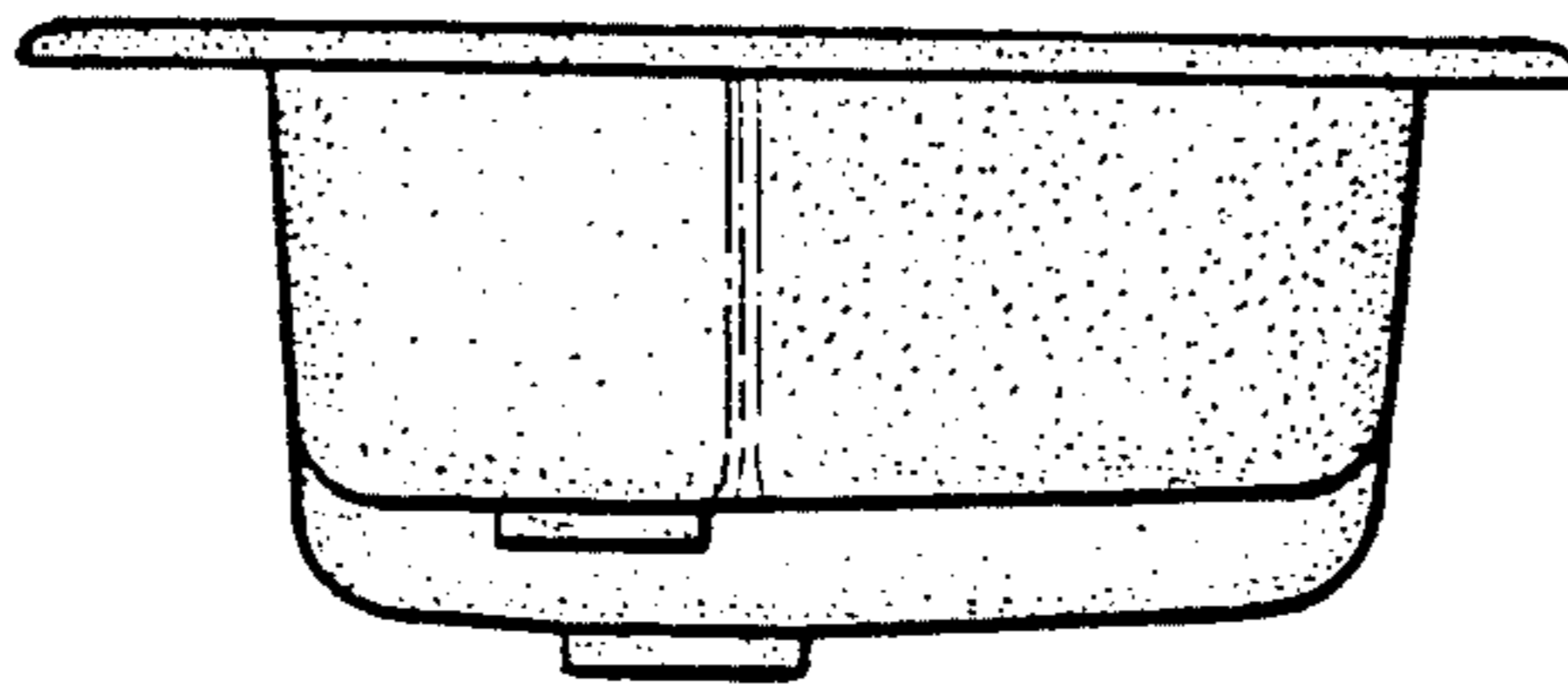


FIG. 5

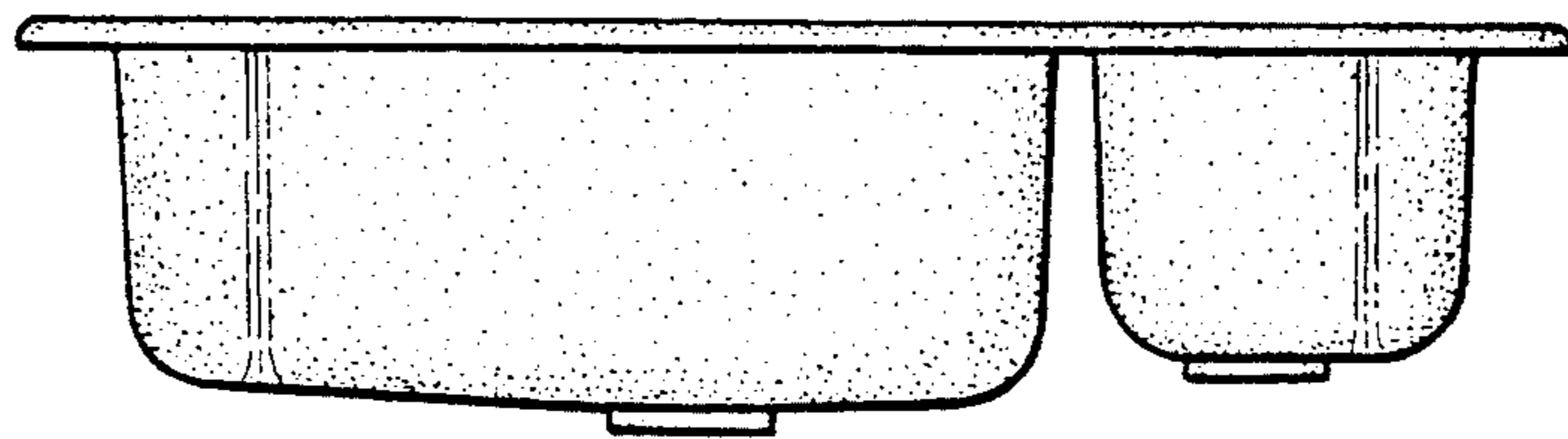


FIG. 6

