



US00D336947S

United States Patent [19]

[11] Patent Number: **Des. 336,947**

Gottwald

[45] Date of Patent: **** Jun. 29, 1993**

[54] FAUCET HANDLE

[75] Inventor: **Adolf Gottwald**, Iserlohn, Fed. Rep. of Germany

[73] Assignee: **Friedrich Grohe Aktiengesellschaft**, Hemer, Fed. Rep. of Germany

[**] Term: **14 Years**

[21] Appl. No.: **717,111**

[22] Filed: **Jun. 18, 1991**

[30] **Foreign Application Priority Data**

Dec. 21, 1990 [DE] Fed. Rep. of Germany M 9008428.4

[52] U.S. Cl. **D23/250; D8/310; D8/312**

[58] Field of Search **D23/233-254; D8/300, 307-312; 16/118, 119, 121; 4/191, 192**

[56] **References Cited**

U.S. PATENT DOCUMENTS

- D. 266,348 9/1982 Piesco D23/252
- D. 268,513 4/1983 Thompson D23/250
- D. 291,233 8/1987 Jans D23/242

- D. 291,824 9/1987 Lathrop D23/254
- D. 294,631 3/1988 Bourbon D23/241
- D. 299,160 12/1988 Lathrop D23/252
- D. 300,942 5/1989 Paul D23/242
- D. 309,005 7/1990 Strignano D23/242
- D. 326,899 6/1992 Haug et al. D23/250
- D. 326,900 6/1992 Haug et al. D23/250
- 4,783,885 11/1988 Bory 16/121 X

Primary Examiner—James R. Largen
Attorney, Agent, or Firm—Herbert Dubno; Ronald Lianides

[57] **CLAIM**

The ornamental design for a faucet handle, as shown and described.

DESCRIPTION

FIG. 1 is a front perspective view of a faucet handle showing my new design;
 FIG. 2 is a right-side elevational view thereof;
 FIG. 3 is a bottom plan view thereof;
 FIG. 4 is a front elevational view thereof with the handle rotated through 180°;
 FIG. 5 is a right-side elevational view of FIG. 4;
 FIG. 6 is a top plan view thereof; and,
 FIG. 7 is a rear elevational elevational view thereof.

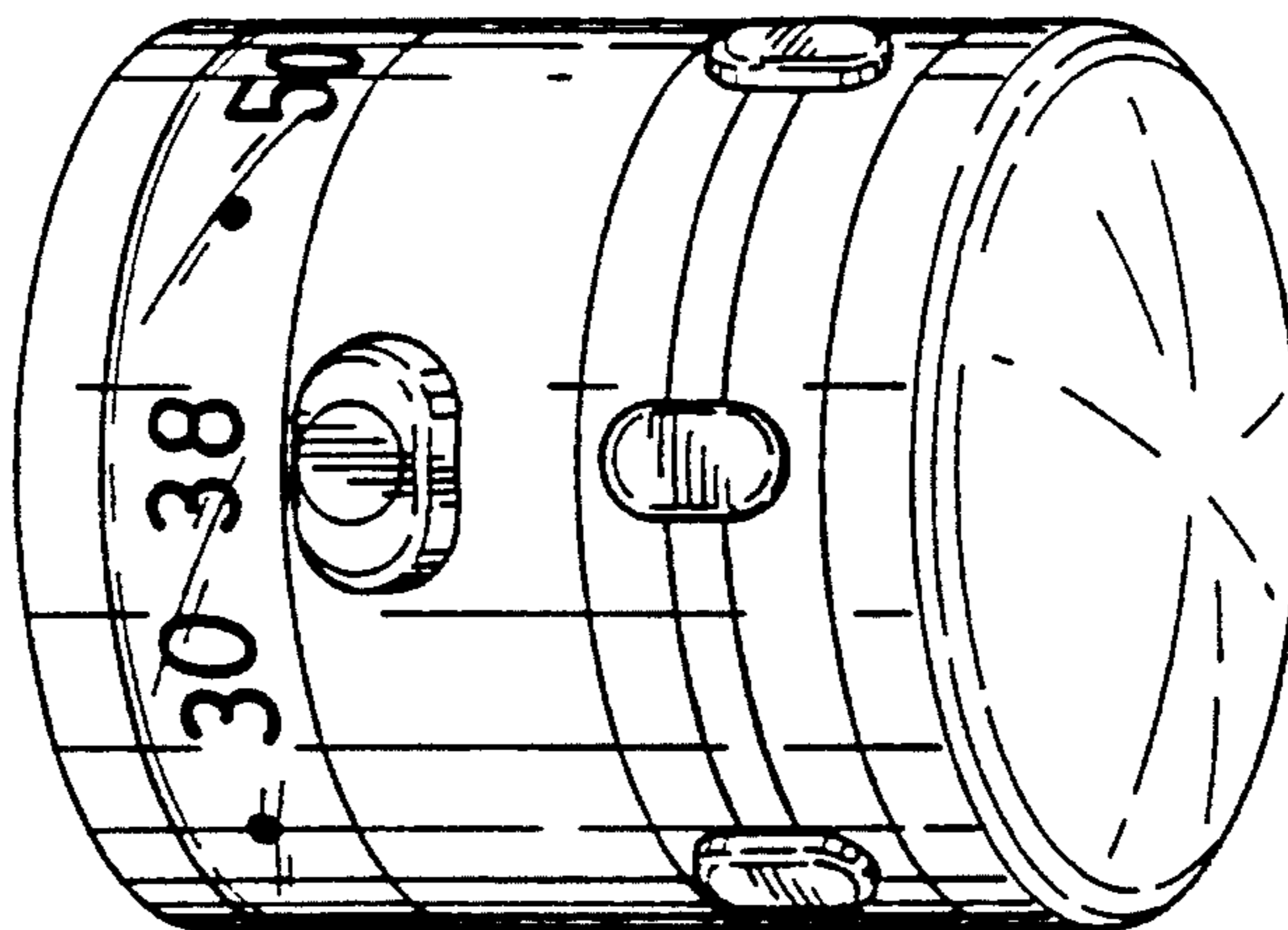


FIG. 1

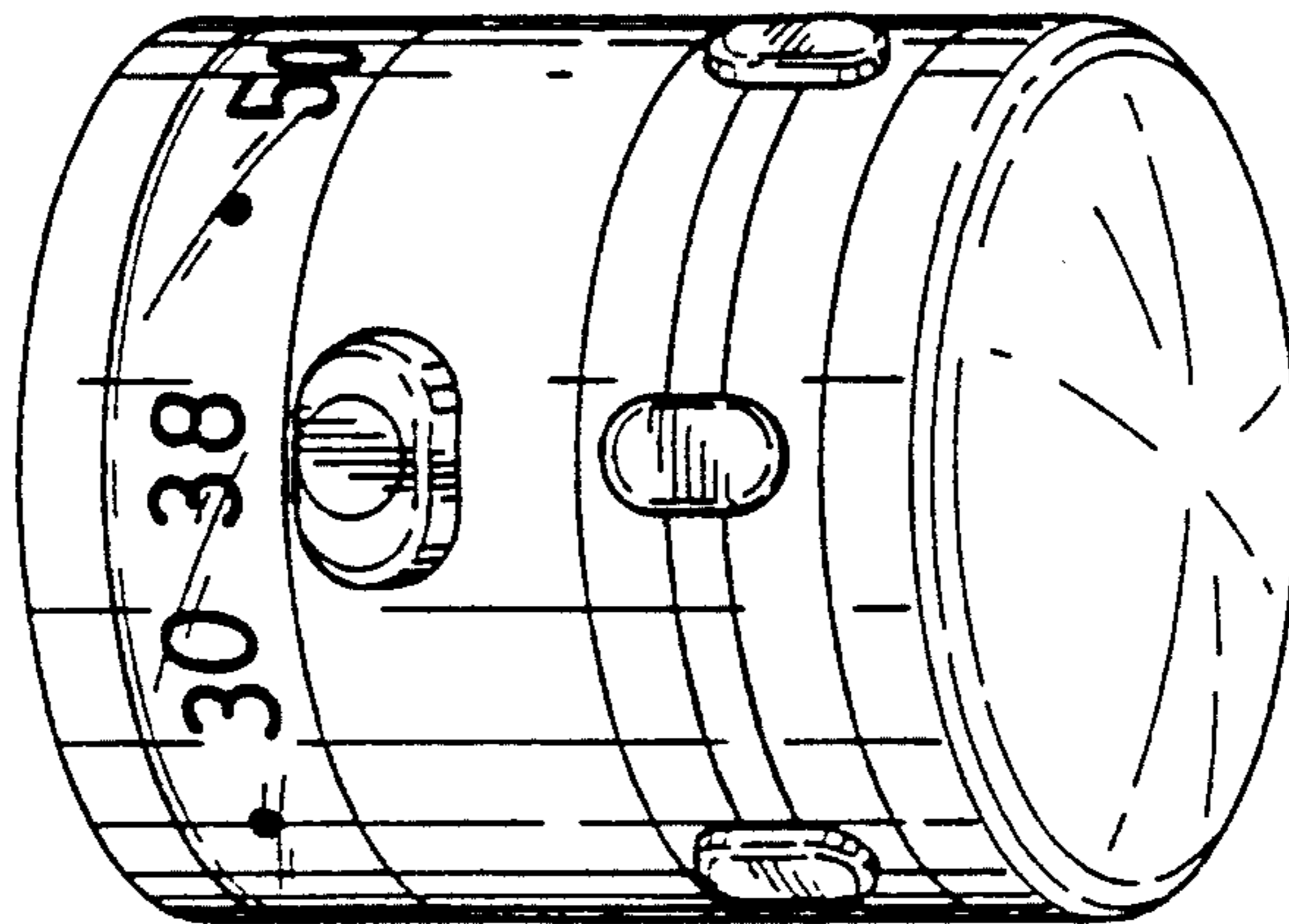


FIG. 2

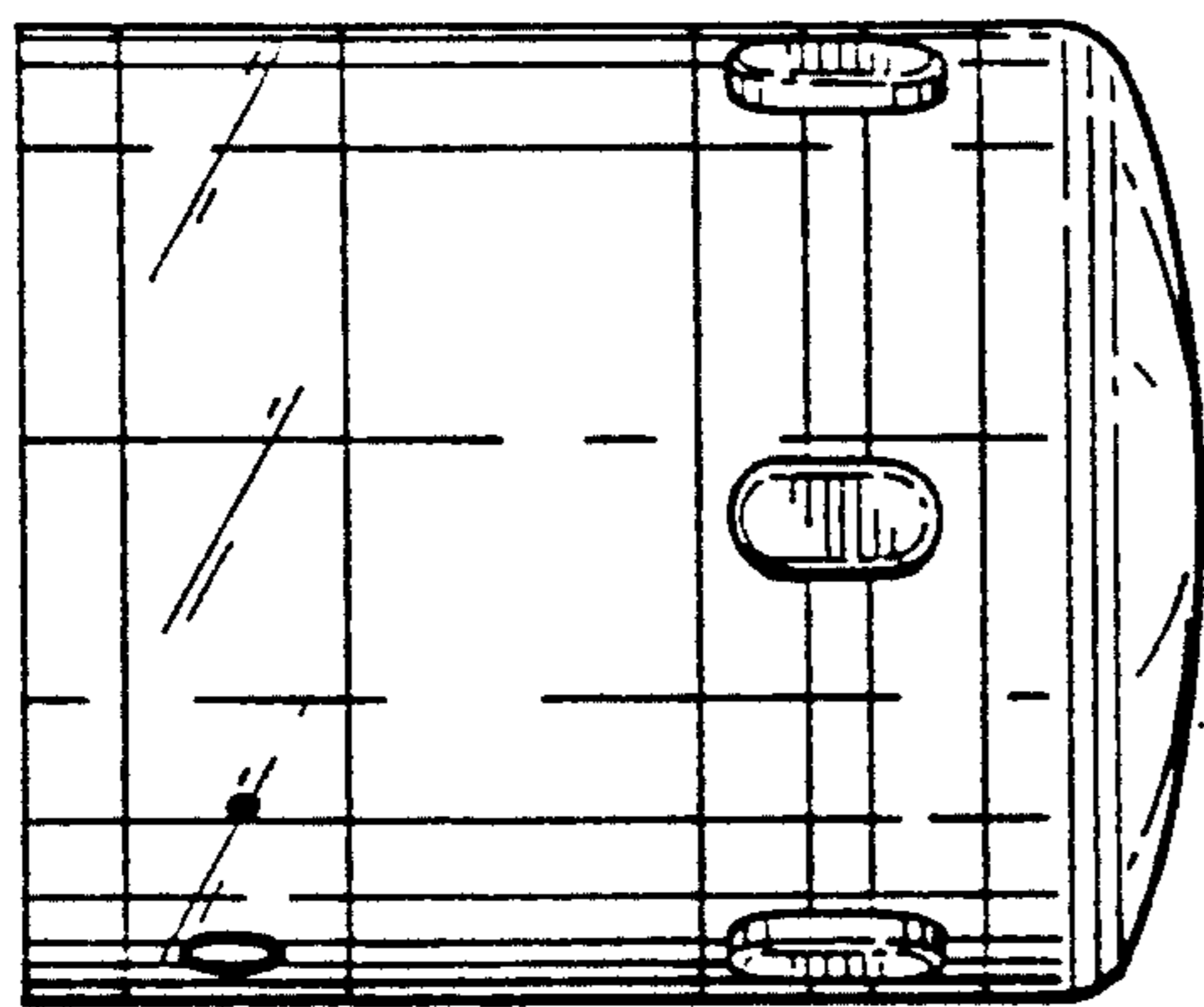


FIG. 3

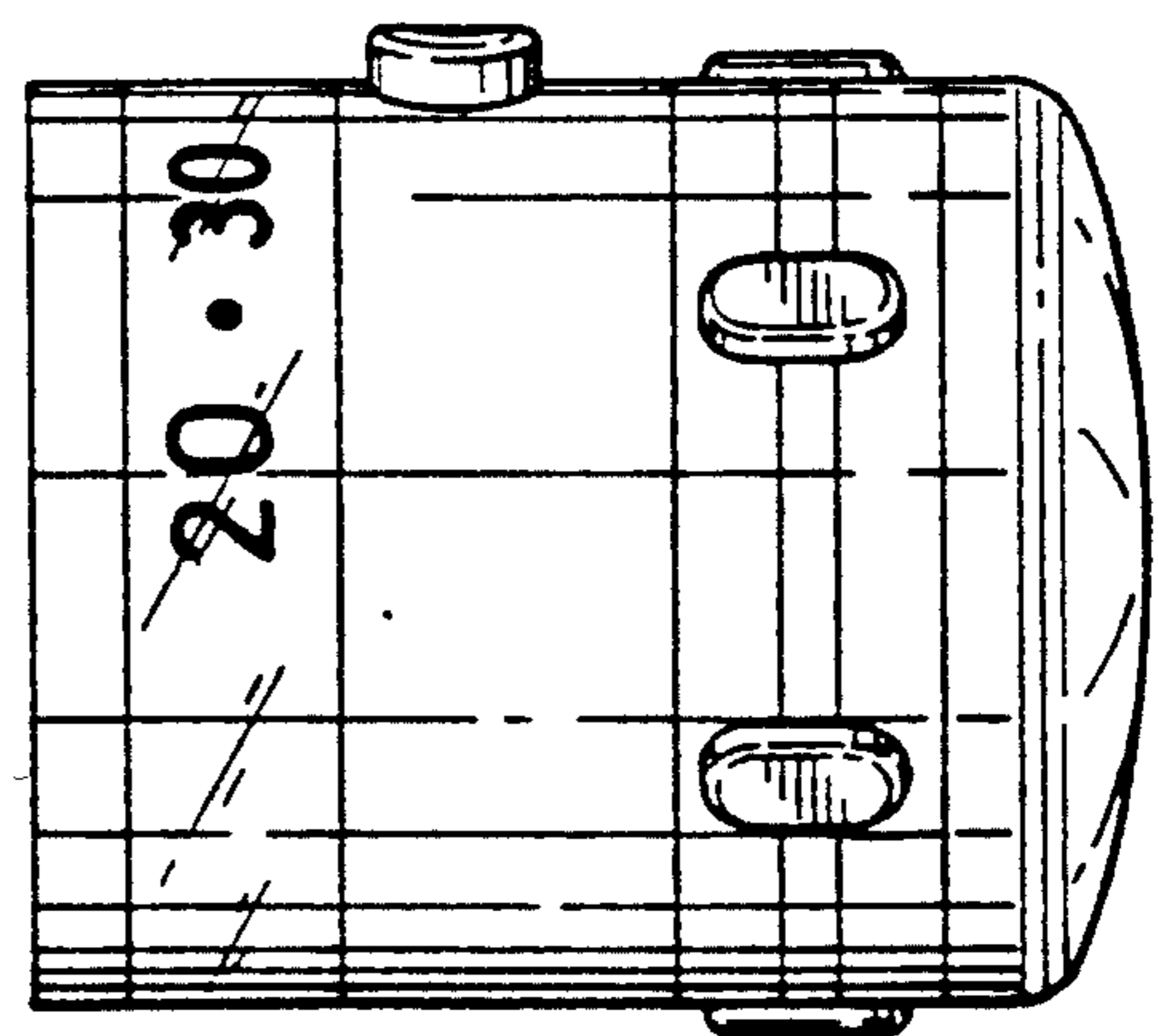


FIG. 4

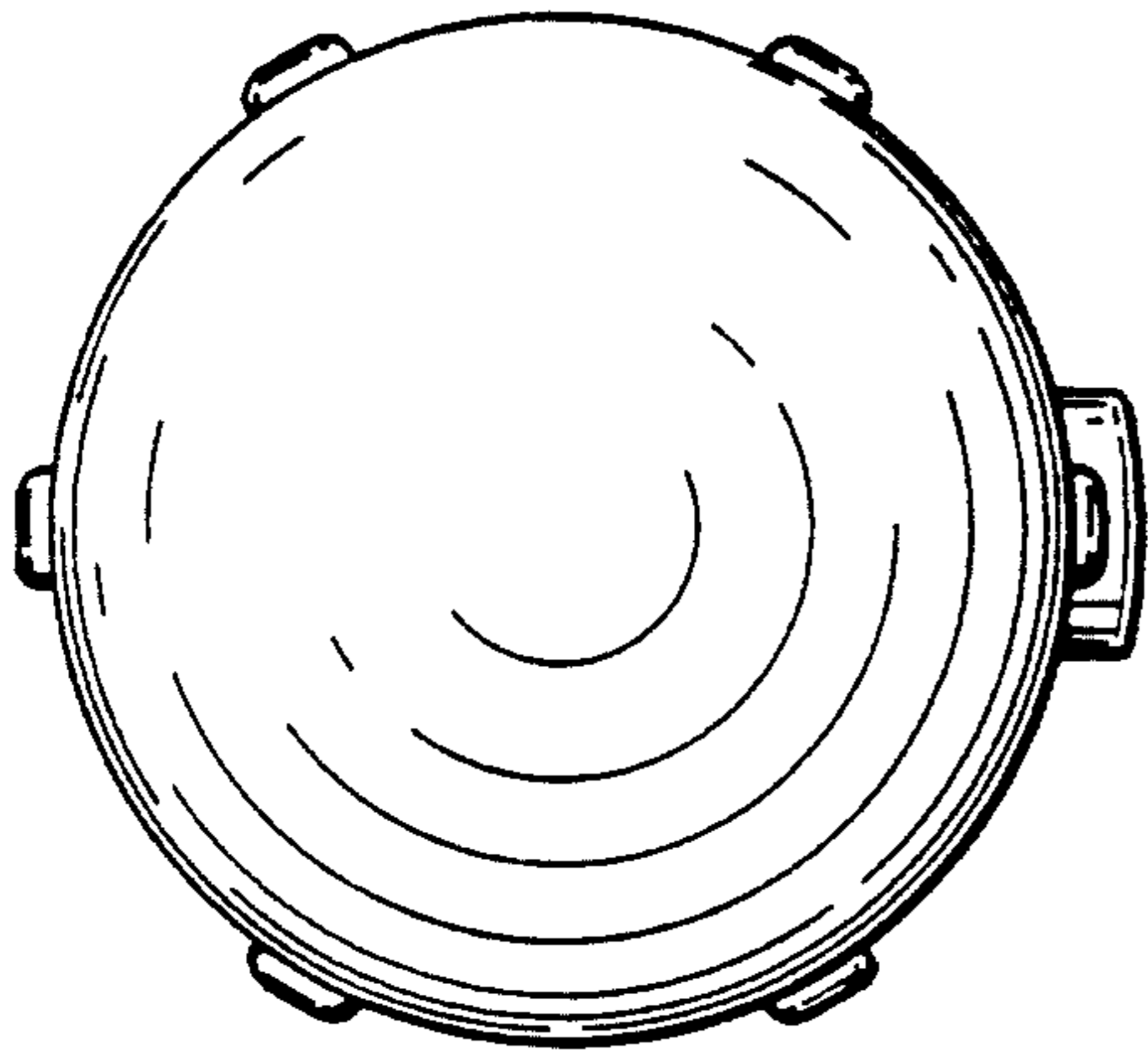


FIG. 5

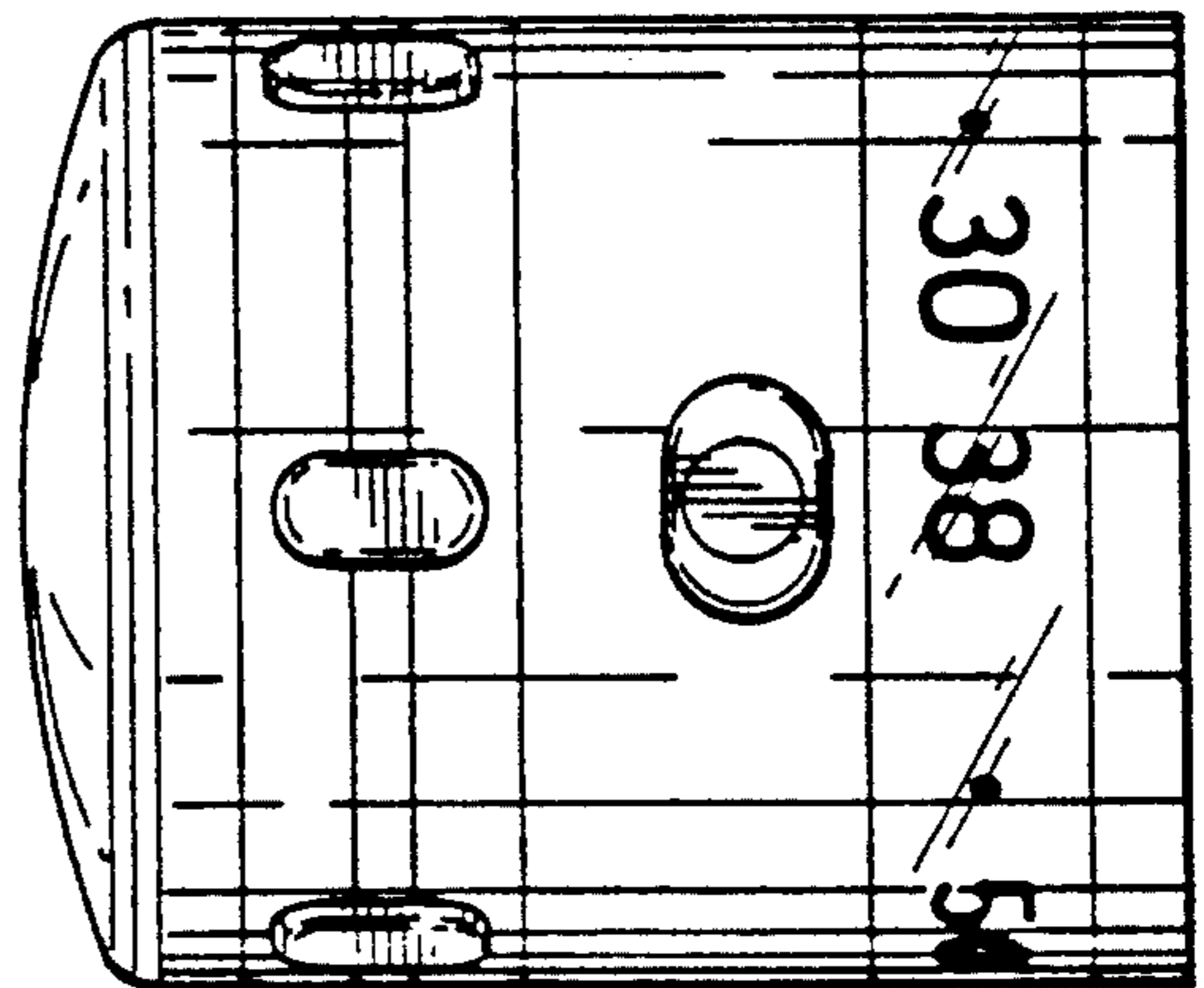


FIG. 6

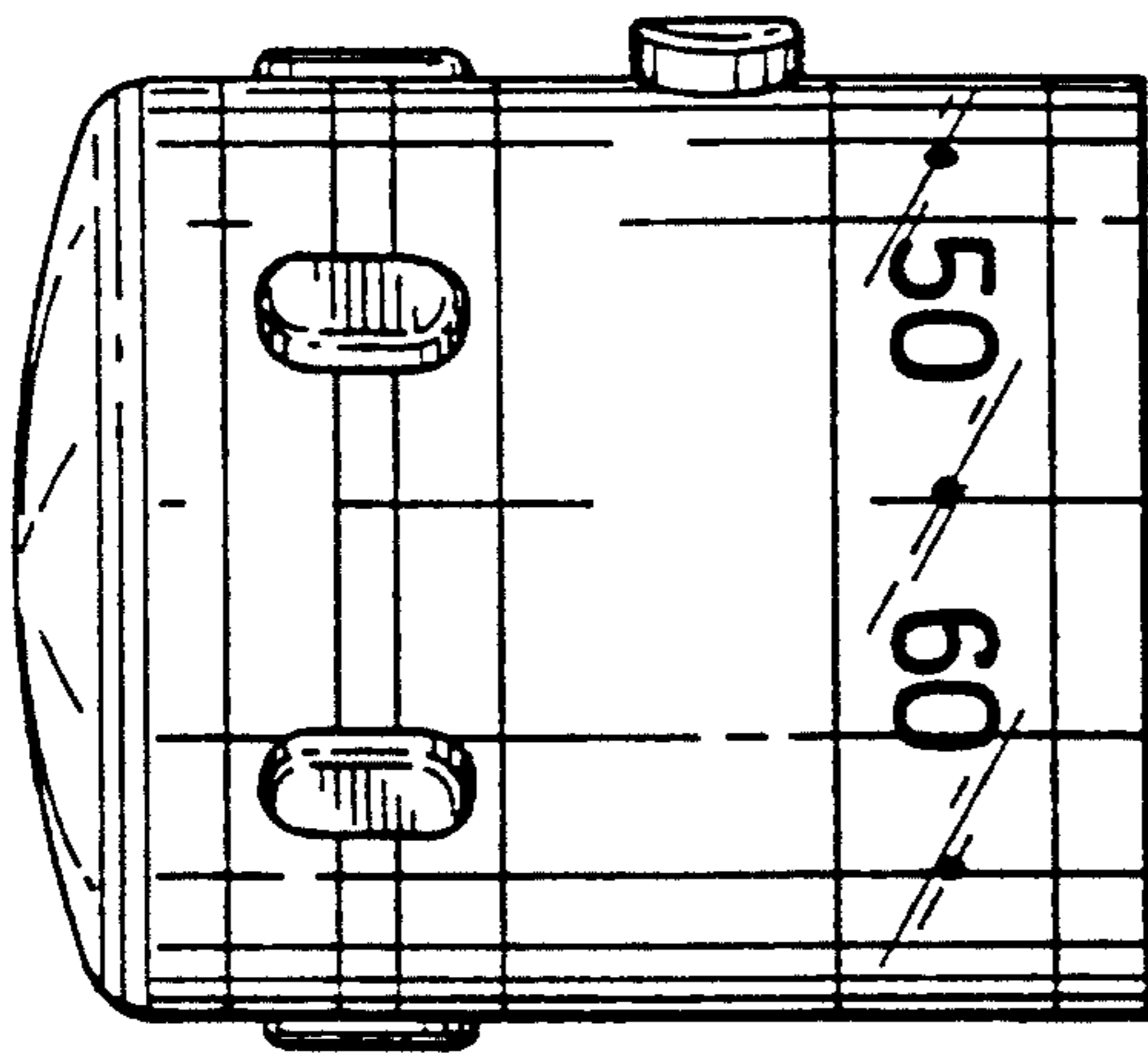


FIG. 7

