



US00D336946S

# United States Patent [19]

[11] Patent Number: **Des. 336,946**

Levien

[45] Date of Patent: **\*\* Jun. 29, 1993**

[54] **FAUCET SET**

[75] Inventor: **Robin H. Levien**, London, England

[73] Assignee: **American Standard Inc.**, New York, N.Y.

[\*\*] Term: **14 Years**

[21] Appl. No.: **598,865**

[22] Filed: **Oct. 16, 1990**

[52] U.S. Cl. .... **D23/242**

[58] Field of Search ..... **D23/233-254;**  
**D8/300, 301, 307-312, 8; 16/118, 119, 121**

[56] **References Cited**

**U.S. PATENT DOCUMENTS**

38,406	5/1863	Parker	16/121
D. 56,936	1/1921	Mueller	D23/238
D. 90,679	9/1933	Polcer	D23/238 X
D. 265,581	7/1982	Kohler, Jr.	D23/254
D. 312,495	11/1990	Joerger	D23/242
D. 323,375	1/1992	Razumov	D23/242
1,482,765	2/1924	Sanborn	16/121
1,728,218	9/1929	Schmittgon	16/121
1,733,755	10/1929	Replogle	16/121
3,361,174	1/1968	Bedford, Jr.	16/121

*Primary Examiner*—James R. Largen  
*Attorney, Agent, or Firm*—Elaine B. Robinson; Ann M. Knab

[57] **CLAIM**

The ornamental design for a faucet set, as shown and described.

**DESCRIPTION**

FIG. 1 is a top front perspective view of a faucet set showing my new design;

FIG. 2 is a top plan view of the center flow control knob;

FIG. 3 is a bottom plan view of FIG. 2;

FIG. 4 is a front elevational view of FIG. 2;

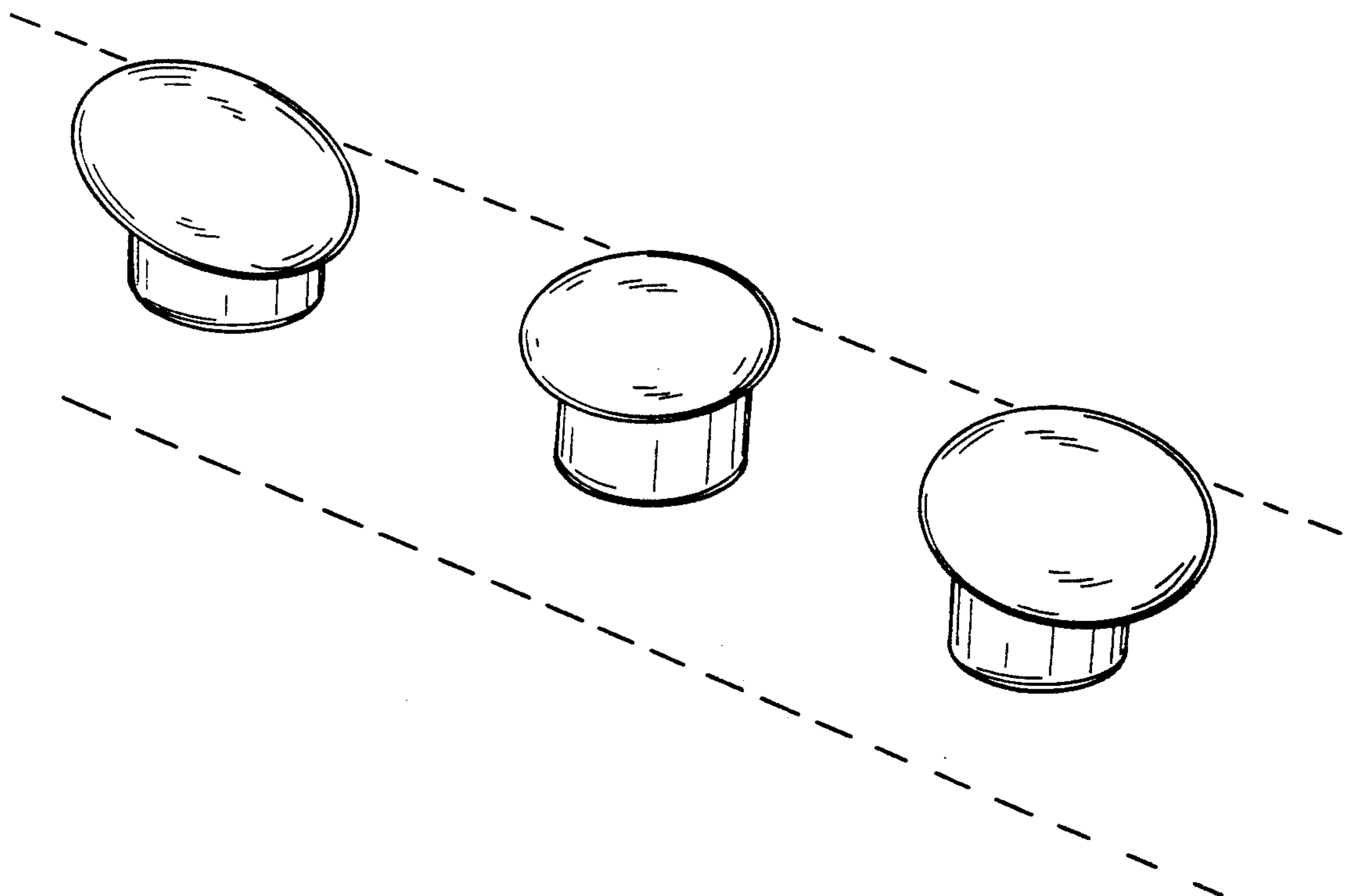
FIG. 5 is a side elevational view of FIG. 2, the opposite side and rear being the same as the side shown;

FIG. 6 is a bottom plan view of one of the faucet handles;

FIG. 7 is a rear elevational view of FIG. 6; and,

FIG. 8 is a side elevational view of FIG. 6, the opposite side being a mirror image of the side shown.

The fragmentary broken line showing of a bathtub in FIG. 1 and the broken line showing of an opening in FIG. 4 are for purposes of illustration only and form no part of the claimed design.



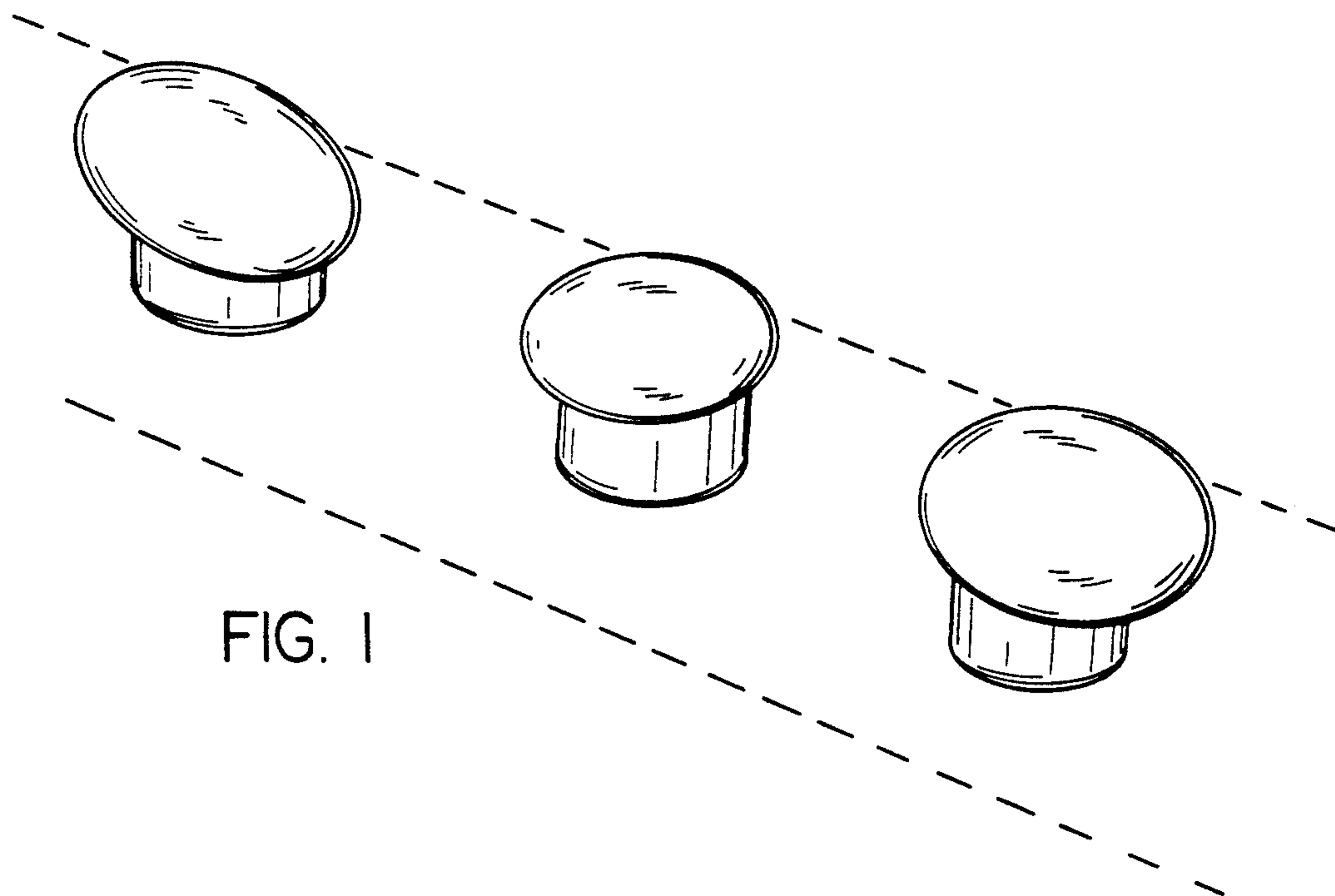


FIG. 1

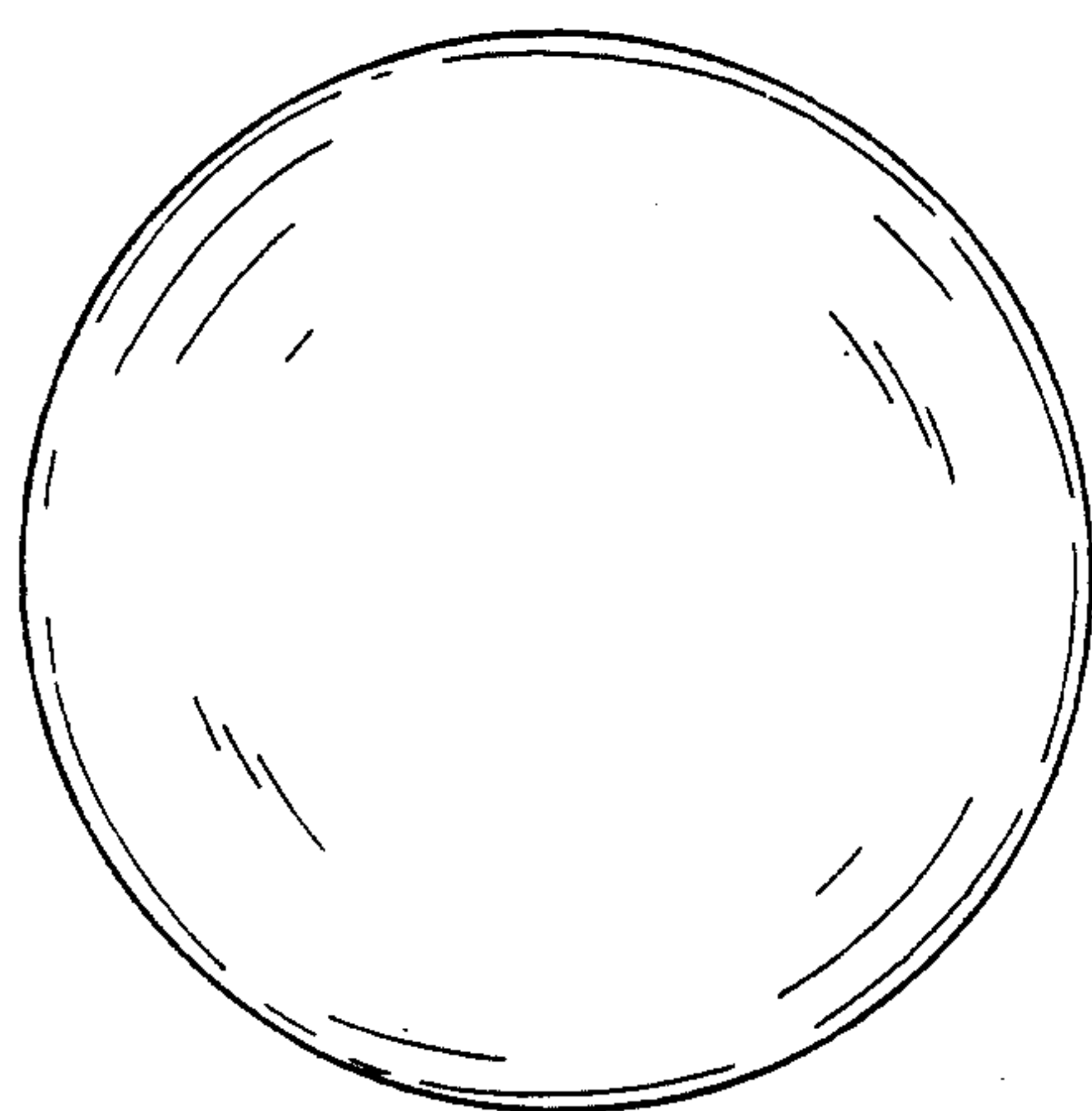


FIG. 2

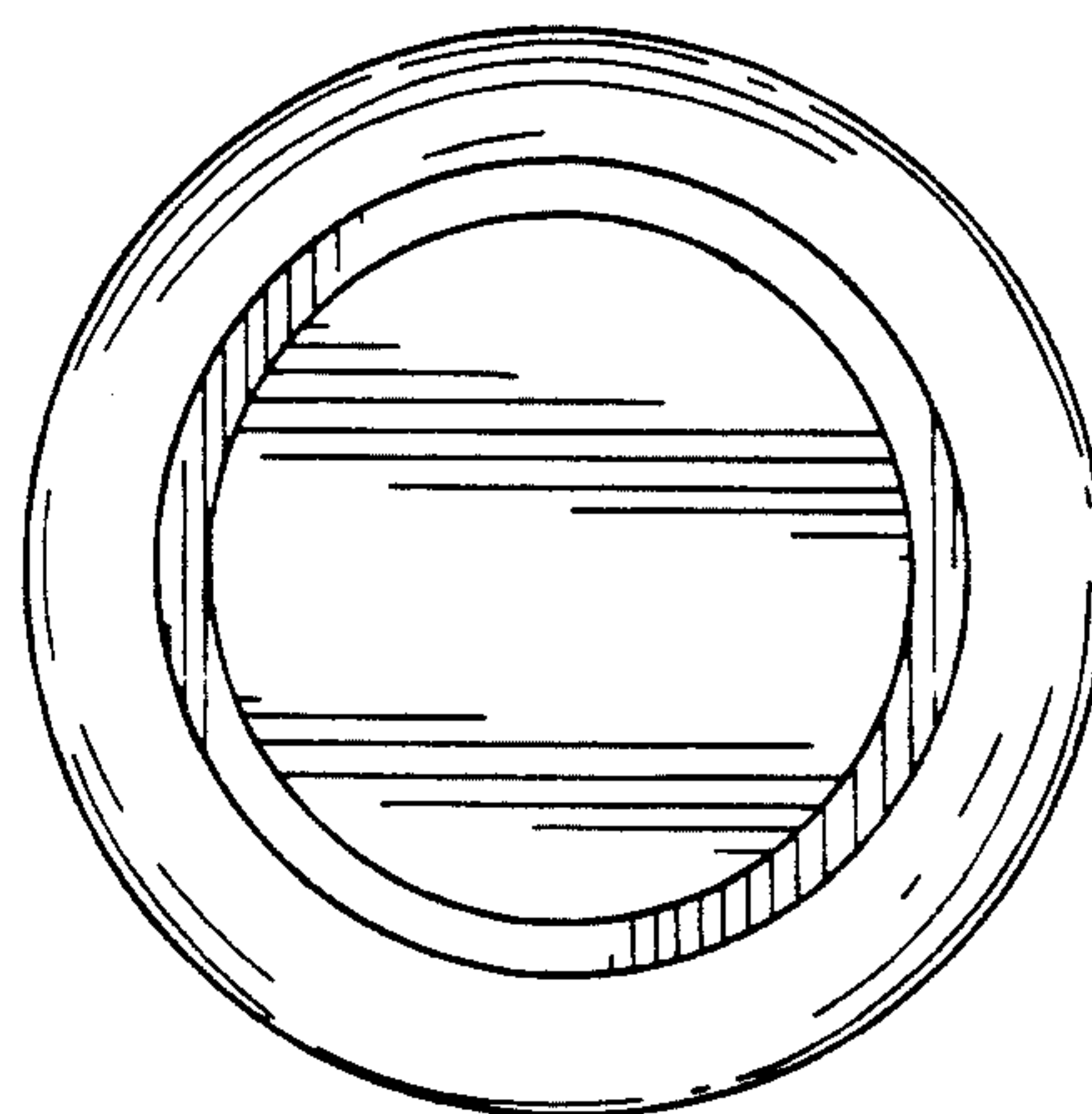


FIG. 3

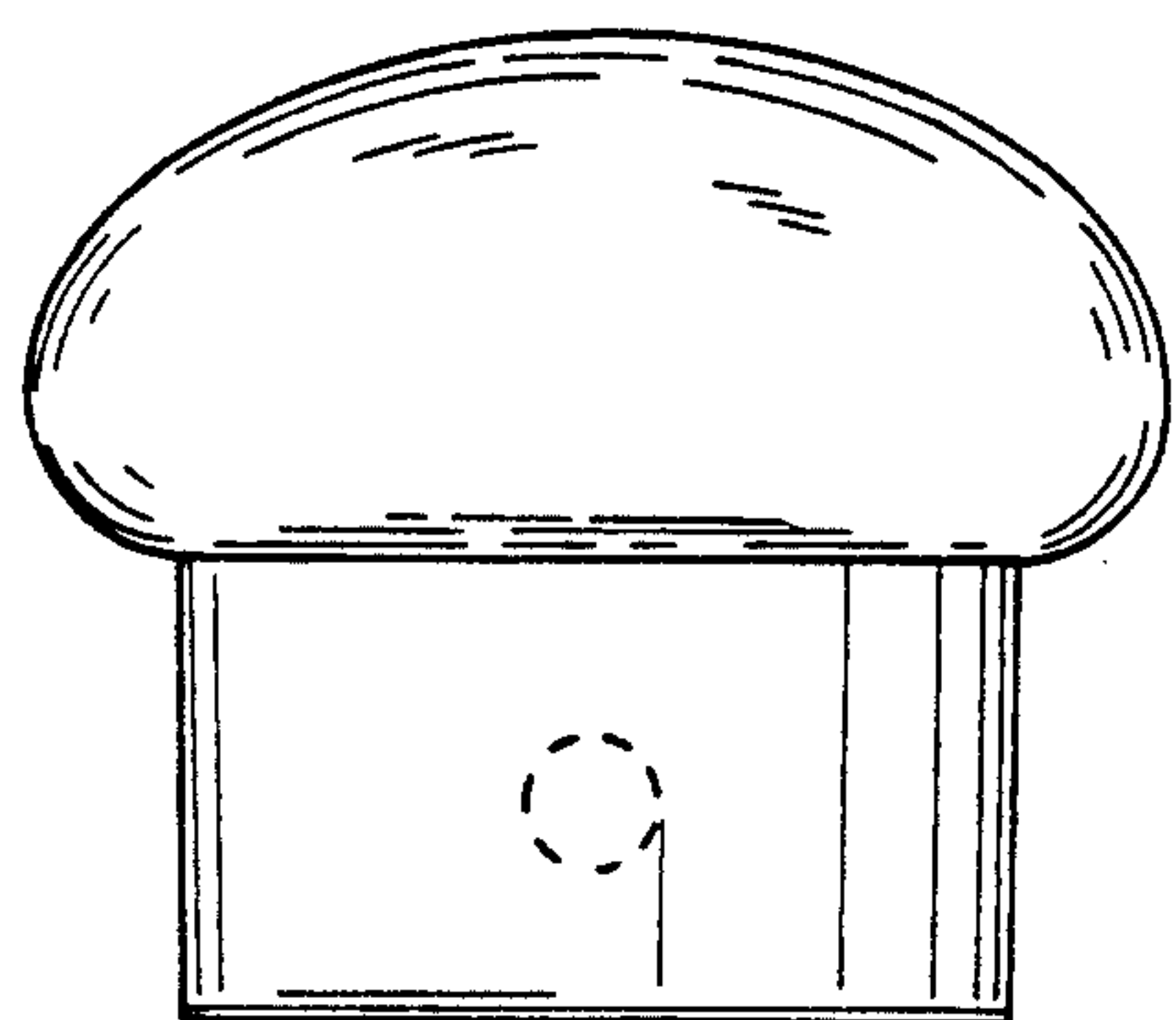


FIG. 4

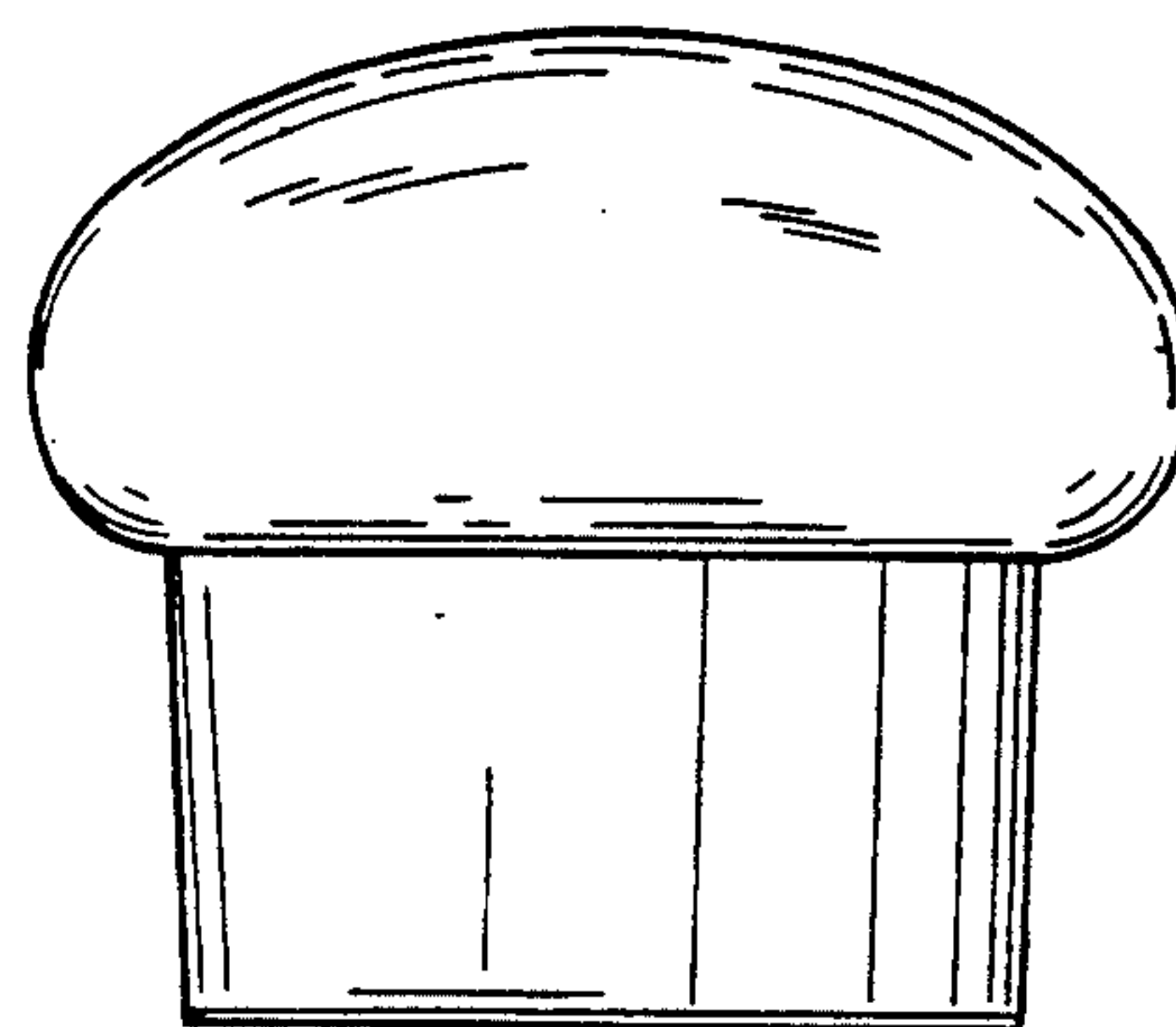


FIG. 5

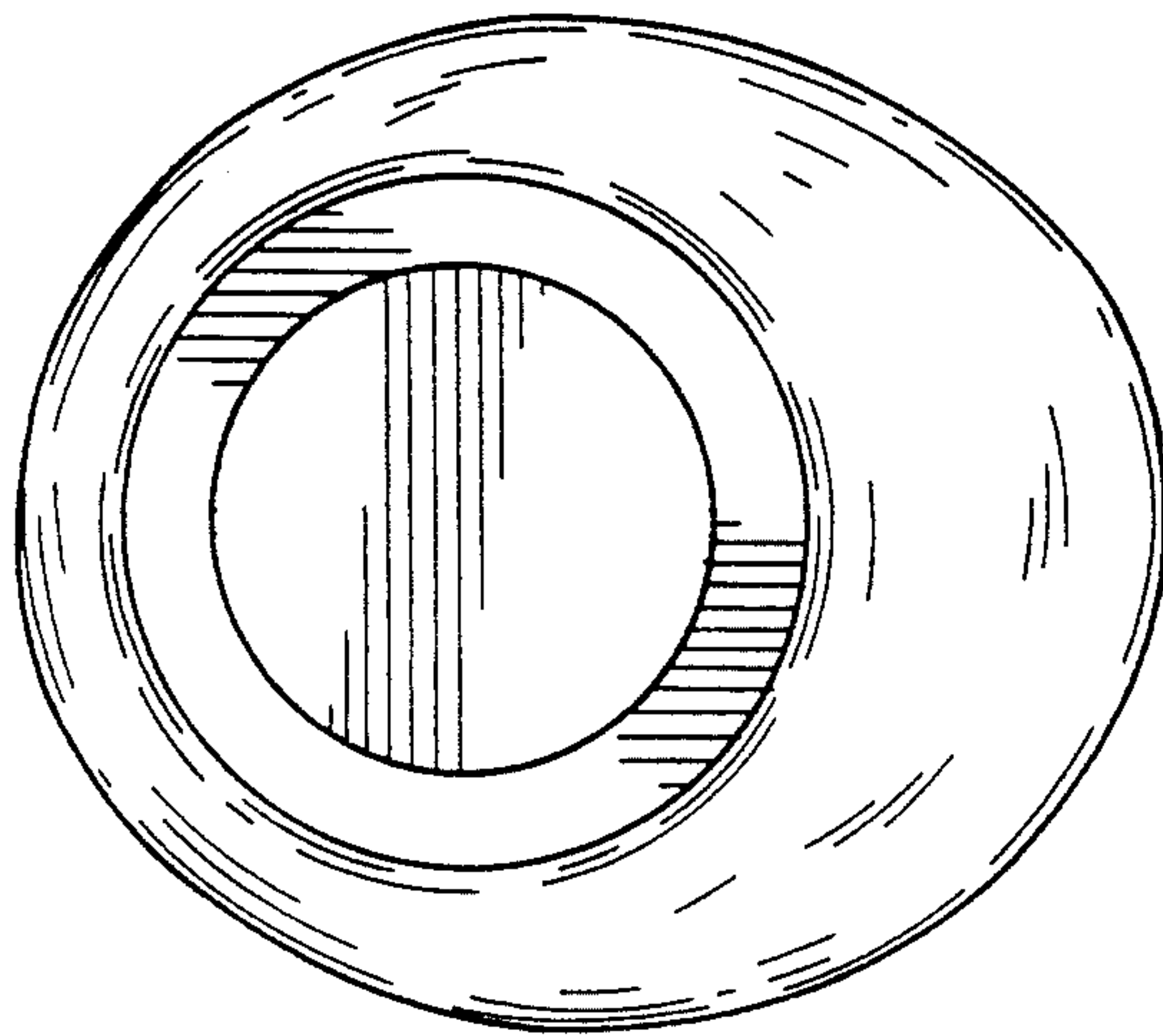


FIG. 6

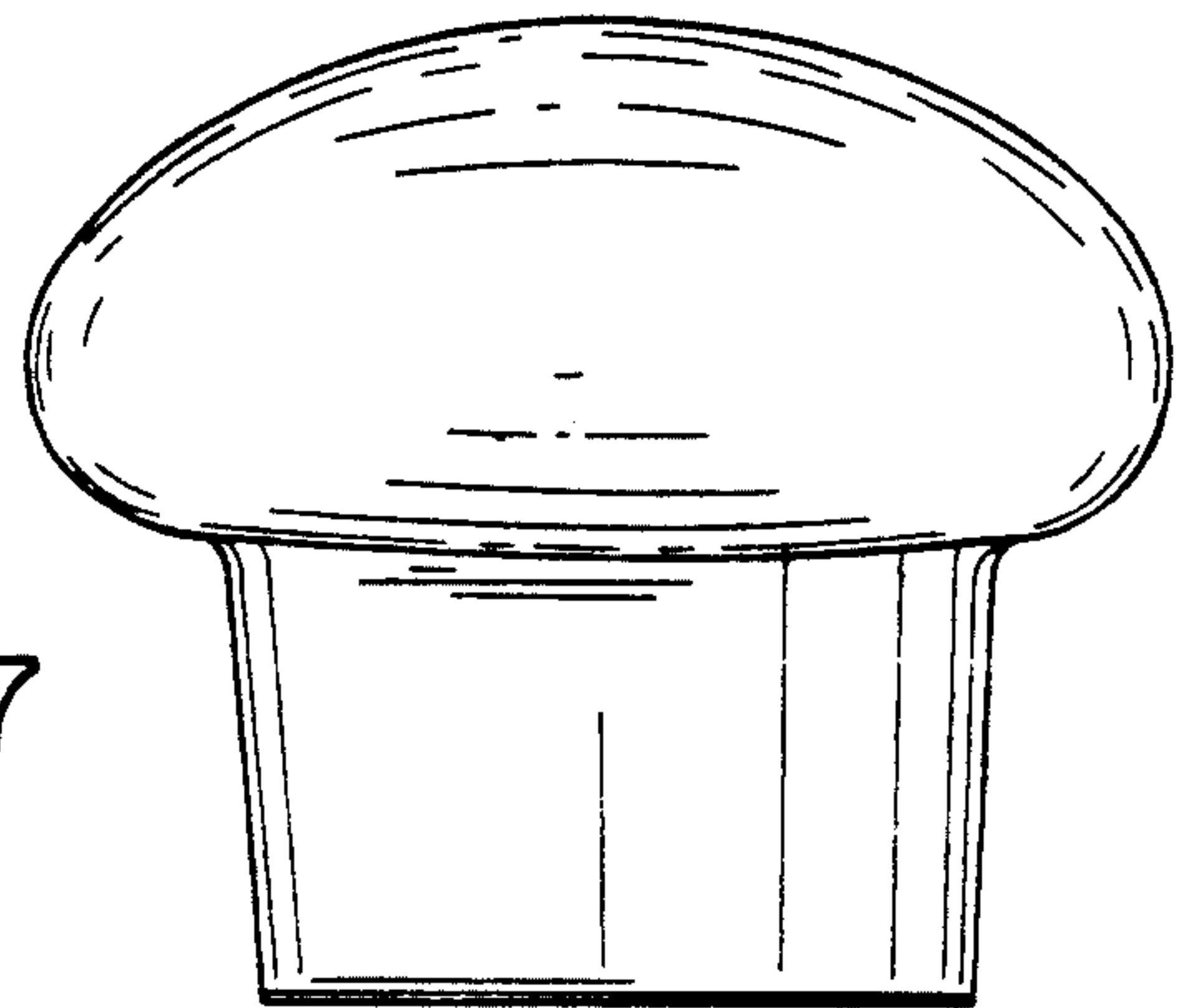


FIG. 7

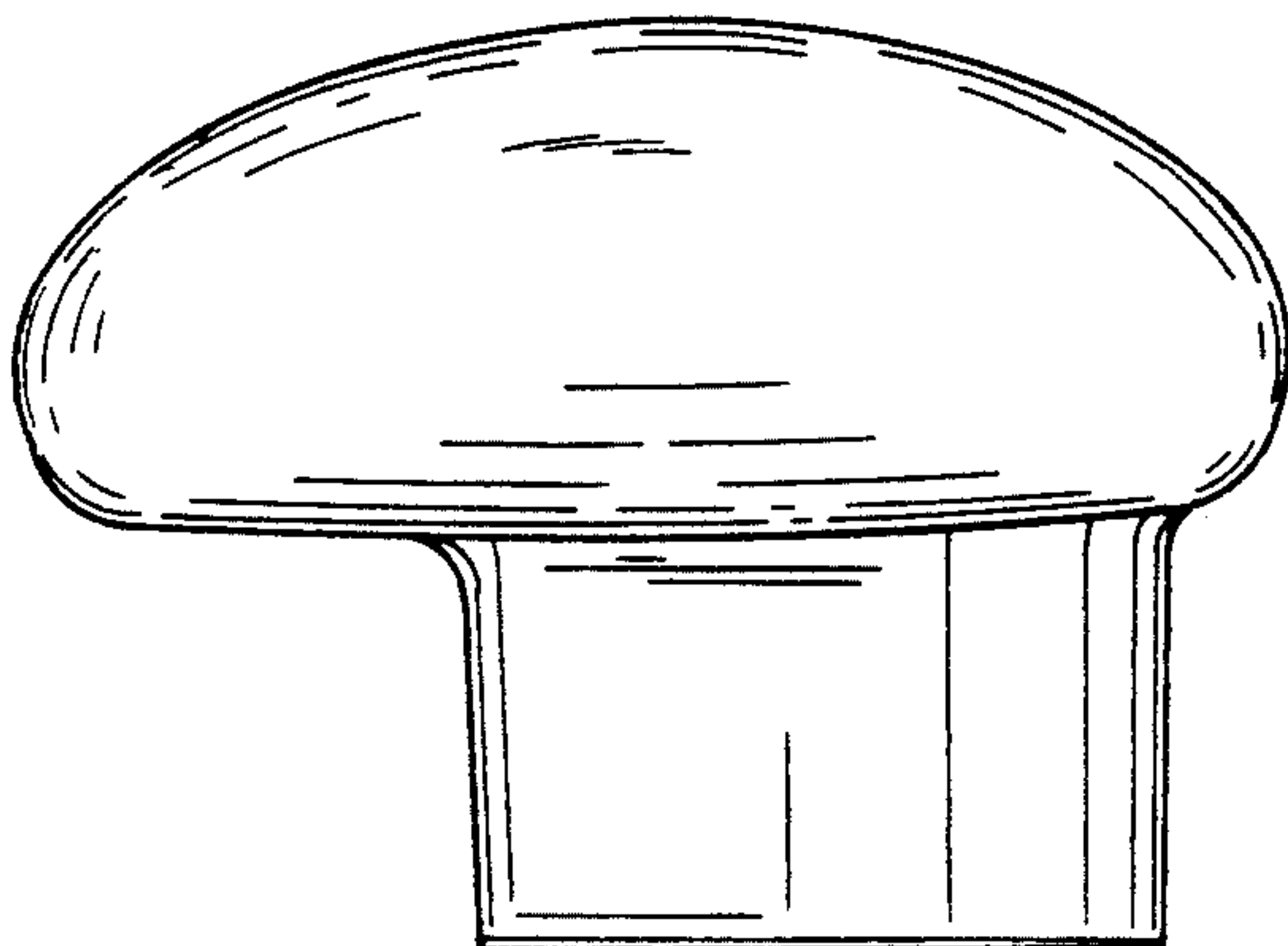


FIG. 8