



US00D336942S

United States Patent [19]

[11] Patent Number: **Des. 336,942**

Ng

[45] Date of Patent: **** Jun. 29, 1993**

[54] **BIRD FIGURE TOY**

D. 305,052 12/1989 Doi D21/160
D. 306,623 3/1990 Doi D21/160
2,769,276 11/1956 Steiner D21/63

[75] Inventor: **Tung Wing Ng, Hong Kong, Hong Kong**

[73] Assignee: **Veny Plastic Co., Limited, Hong Kong, Hong Kong**

[**] Term: **14 Years**

[21] Appl. No.: **590,070**

[22] Filed: **Sep. 28, 1990**

[30] **Foreign Application Priority Data**

Jun. 13, 1990 [GB] United Kingdom 2007549

[52] U.S. Cl. **D21/160**

[58] Field of Search D21/160, 150, 62, 63;
446/376, 487, 97, 96, 103, 120

[56] **References Cited**

U.S. PATENT DOCUMENTS

D. 283,335 4/1986 Matsuda D21/160
D. 298,562 11/1988 Kitamura D21/160

OTHER PUBLICATIONS

Fisher-Price, 1987, p. 69, top, toy figure.

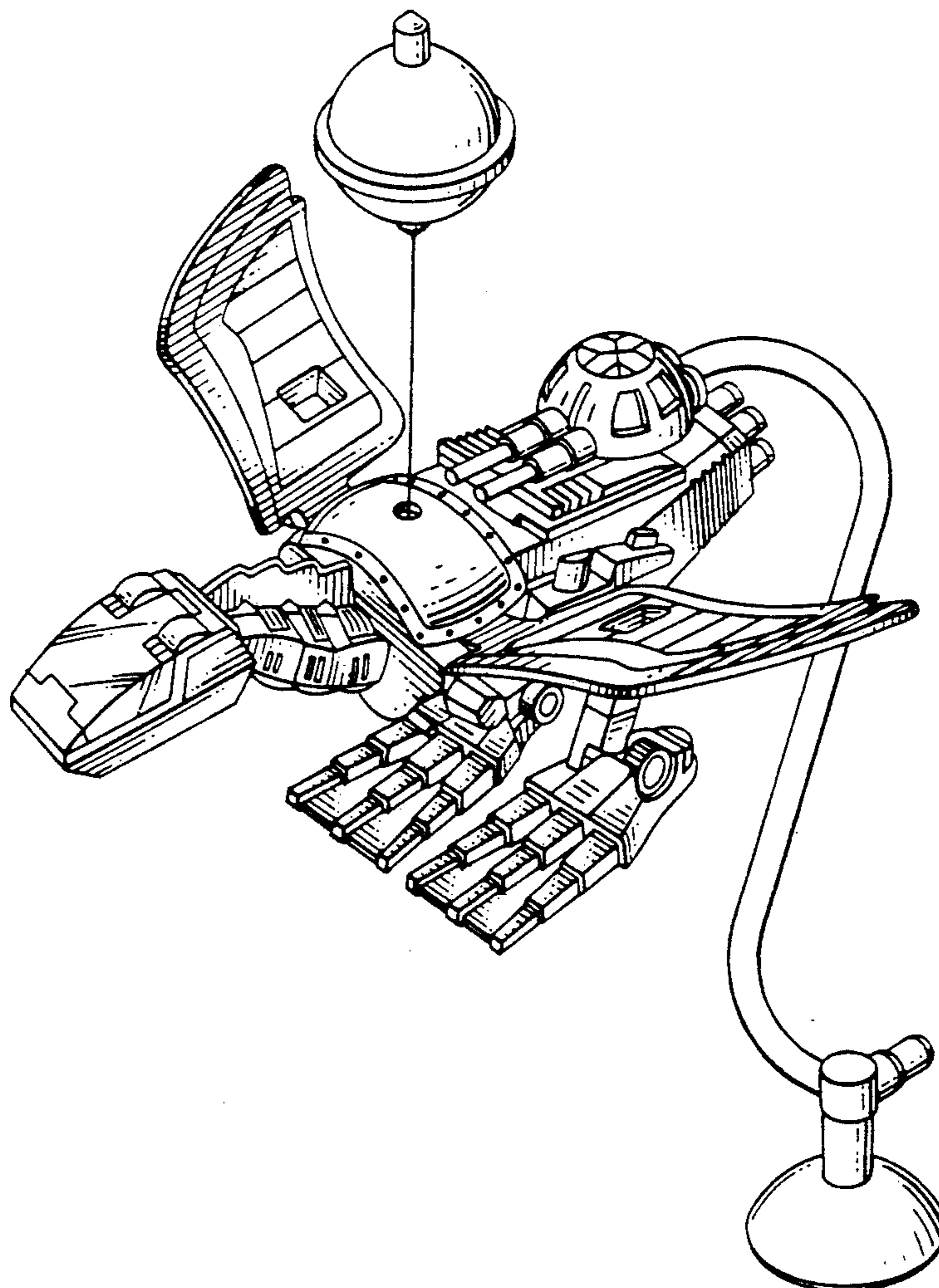
Primary Examiner—Melvin B. Feifer
Attorney, Agent, or Firm—Spensley Horn Jubas & Lubitz

[57] **CLAIM**

The design for a bird figure toy, as shown and described.

DESCRIPTION

FIG. 1 is a front perspective view of a bird figure toy showing my new design;
FIG. 2 is a front view thereof;
FIG. 3 is a rear view thereof;
FIG. 4 is a right side view thereof;
FIG. 5 is a left side view thereof;
FIG. 6 is a top view thereof; and,
FIG. 7 is a bottom view thereof.



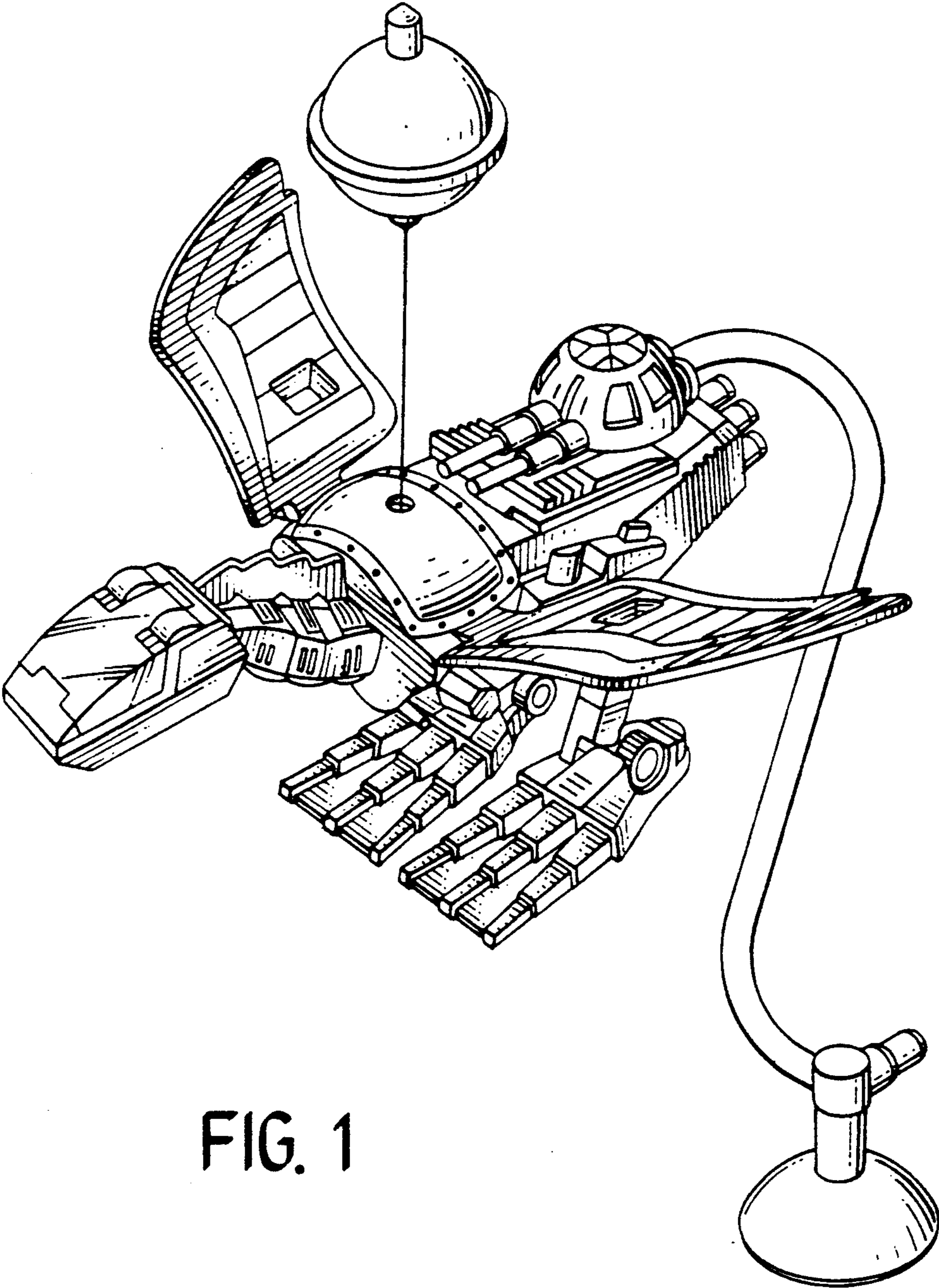


FIG. 1

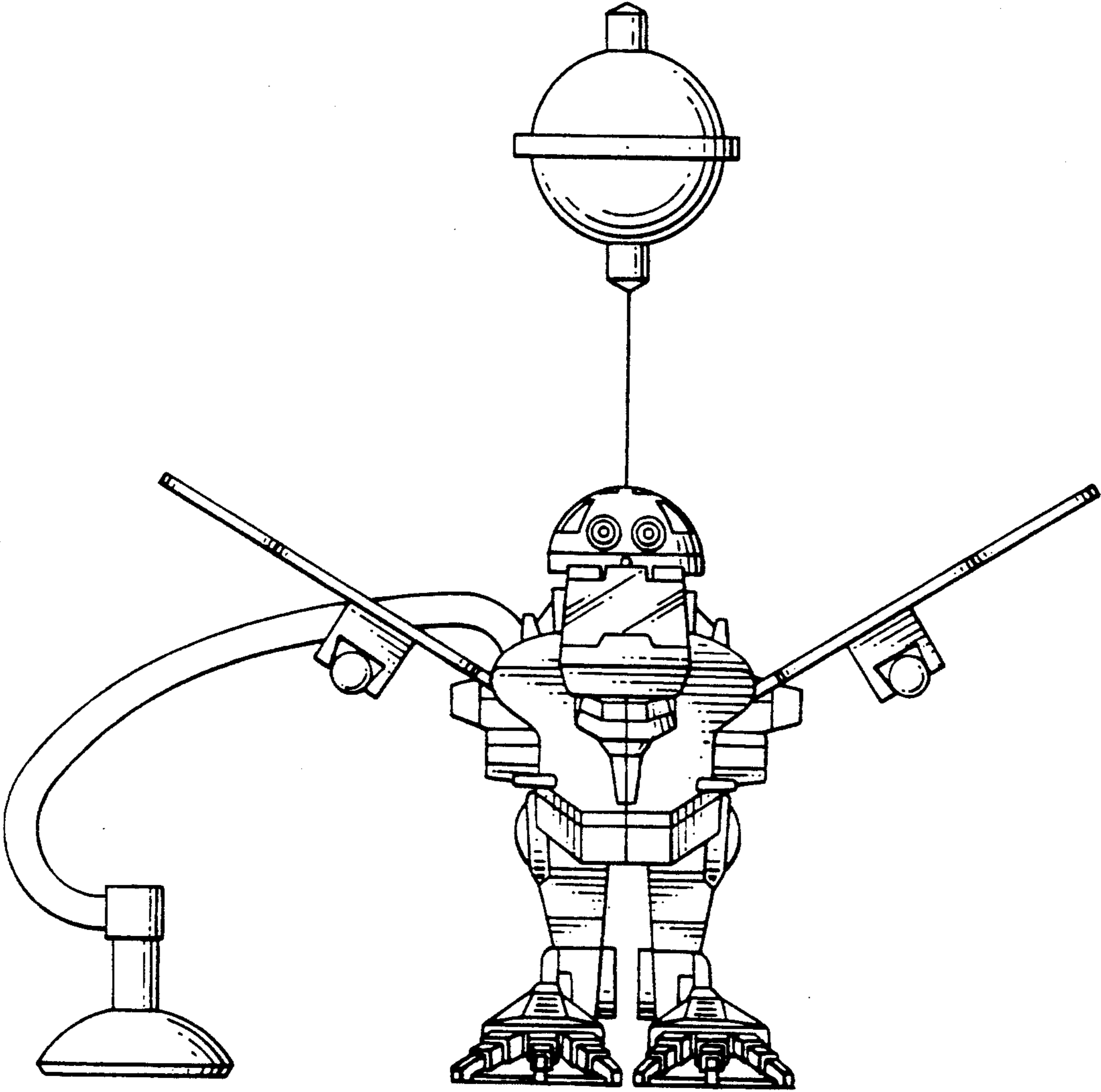


FIG. 2

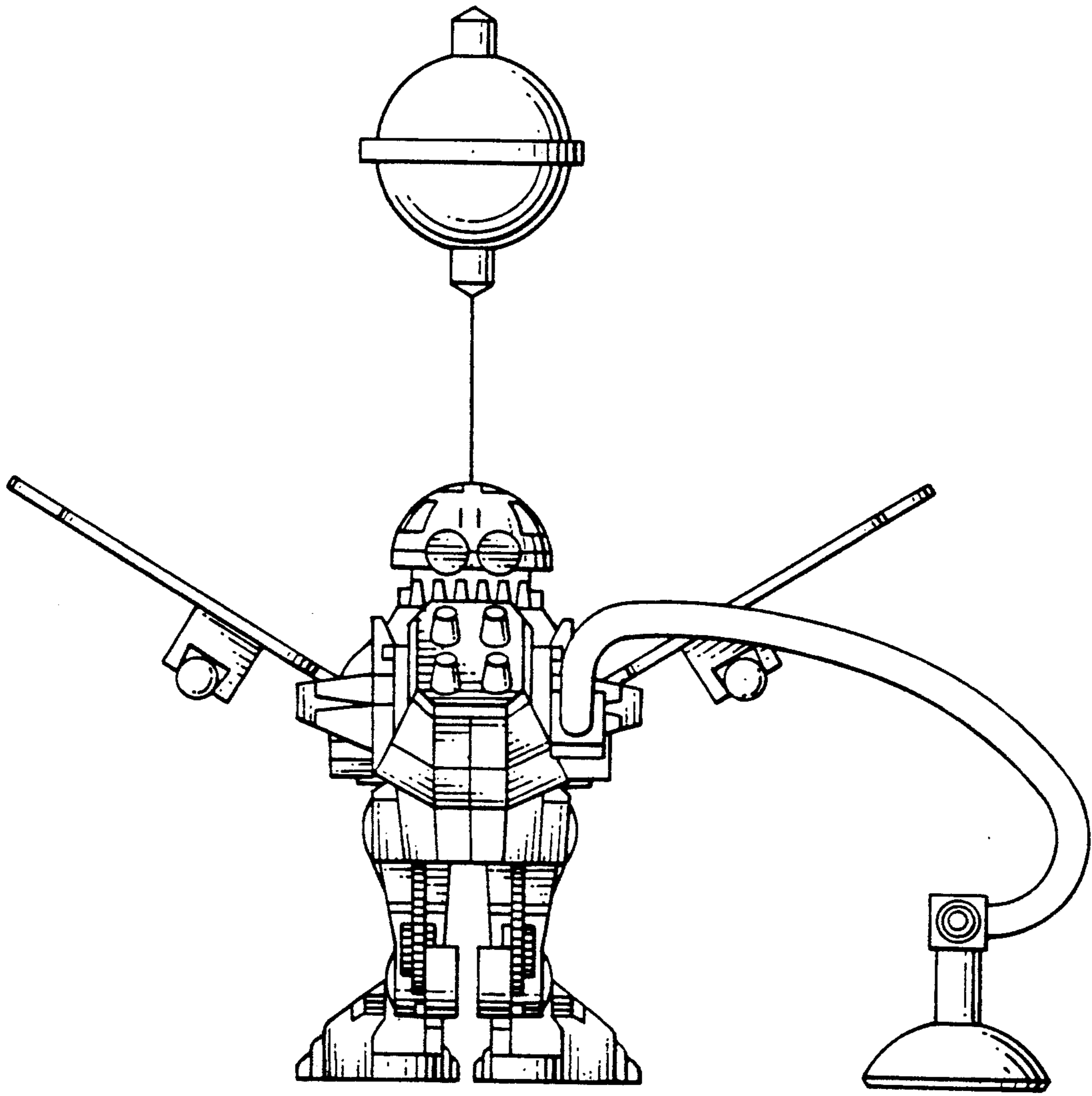


FIG. 3

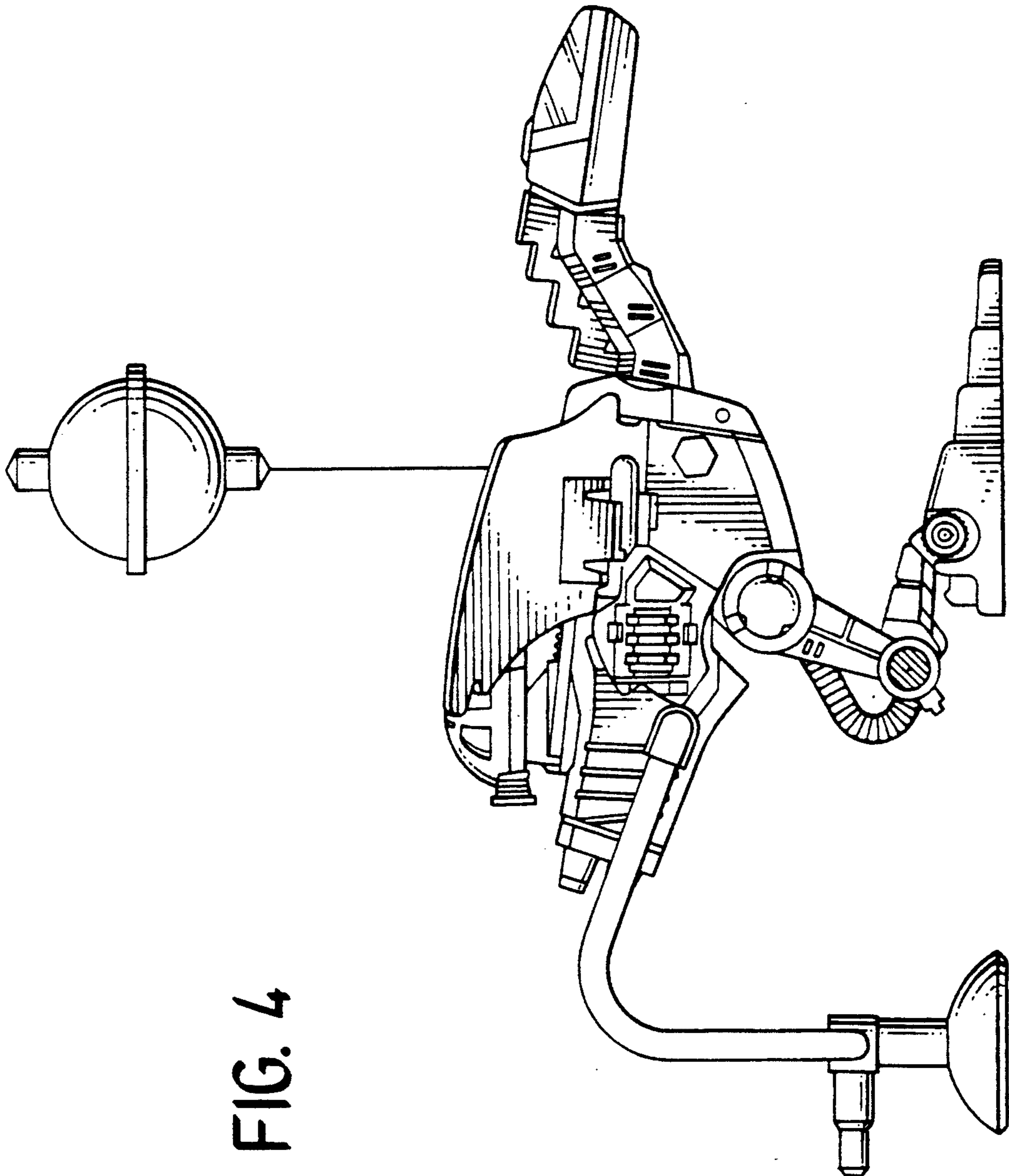


FIG. 4

FIG. 5

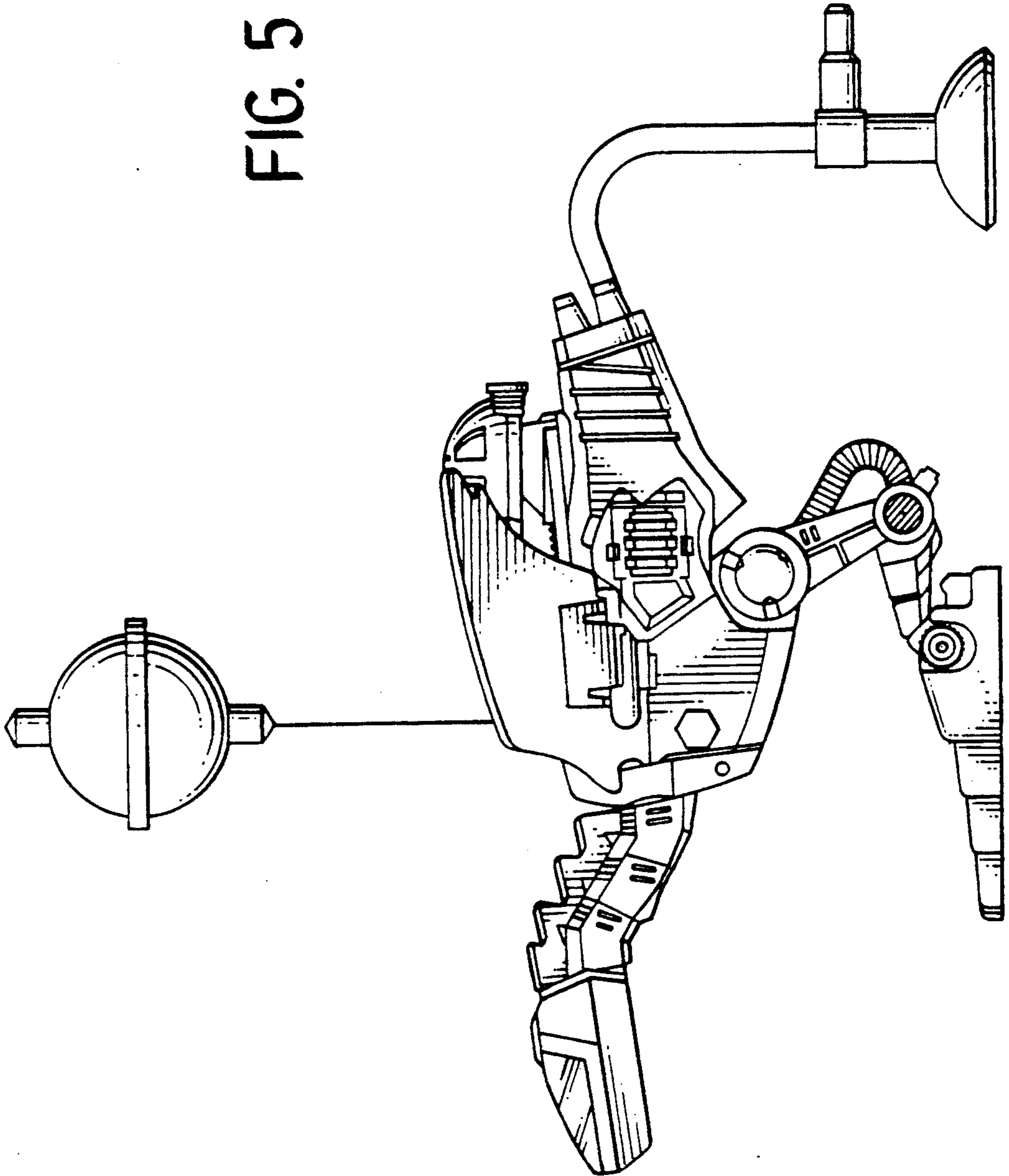


FIG. 6

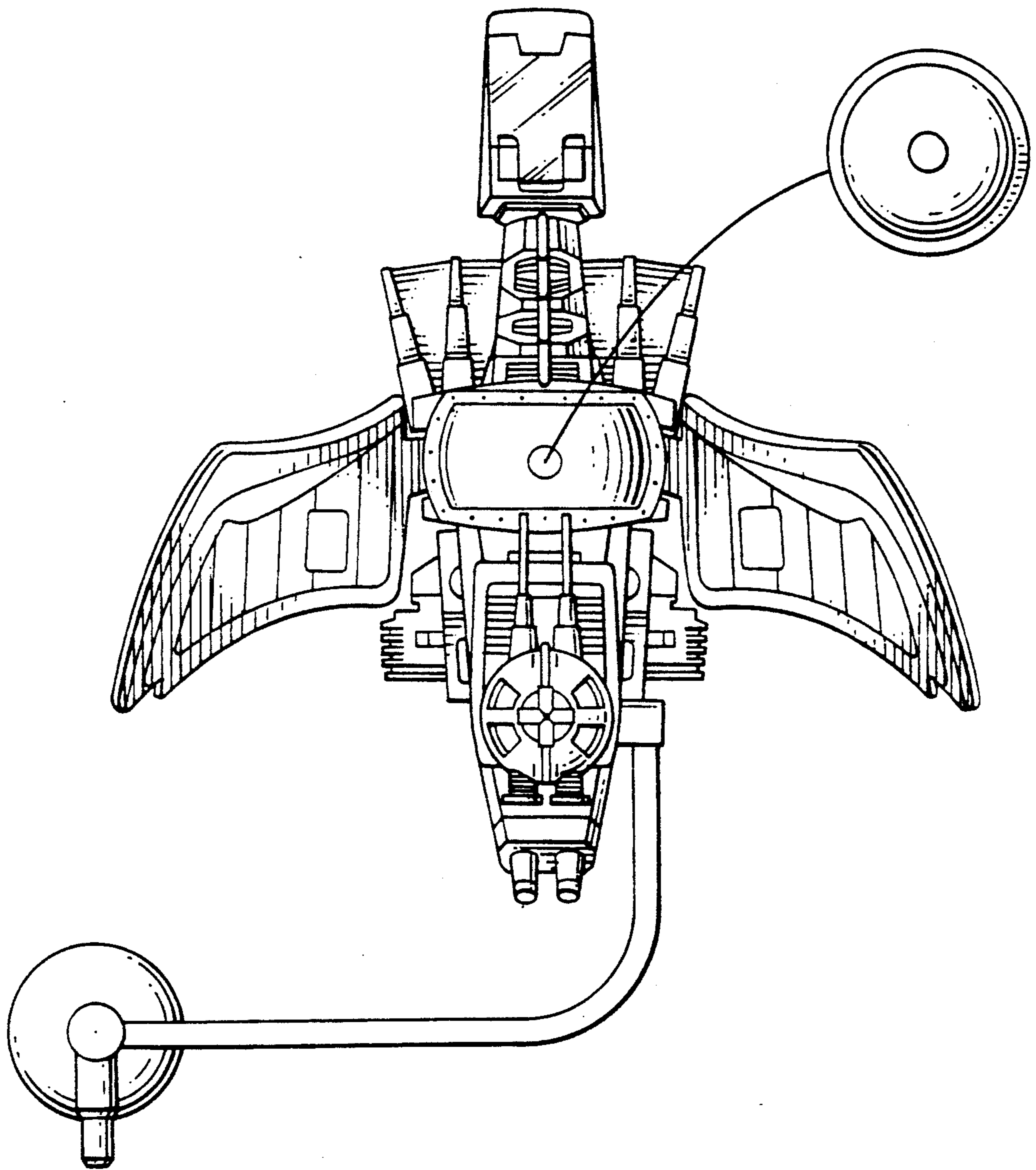


FIG. 7

