



US00D336939S

# United States Patent [19]

Salmon et al.

[11] Patent Number: **Des. 336,939**

[45] Date of Patent: **\*\* Jun. 29, 1993**

- [54] **DOUBLE TANK WATER GUN**
- [75] Inventors: **Robert W. Salmon**, Bergen County;  
**Bruce M. D'Andrade**, Readington  
Township, Hunterdon County, both  
of N.J.
- [73] Assignee: **Larami Corporation**, Philadelphia,  
Pa.
- [\*\*] Term: **14 Years**
- [21] Appl. No.: **902,295**
- [22] Filed: **Jun. 19, 1992**
- [52] U.S. Cl. .... **D21/147**
- [58] Field of Search ..... **D21/145, 146, 147;**  
**D23/225; 222/78, 79; 446/267, 473; 239/211,**  
**329, 337, 373**

D. 318,309	7/1991	D'Andrade	.....	D21/147
2,303,510	12/1942	Swebilius	.....	446/473
5,074,437	12/1991	D'Andrade	.....	446/473
5,150,819	9/1992	Johnson	.....	446/473

*Primary Examiner*—Bernard Ansher  
*Assistant Examiner*—R. Barkai  
*Attorney, Agent, or Firm*—Kenneth P. Glynn

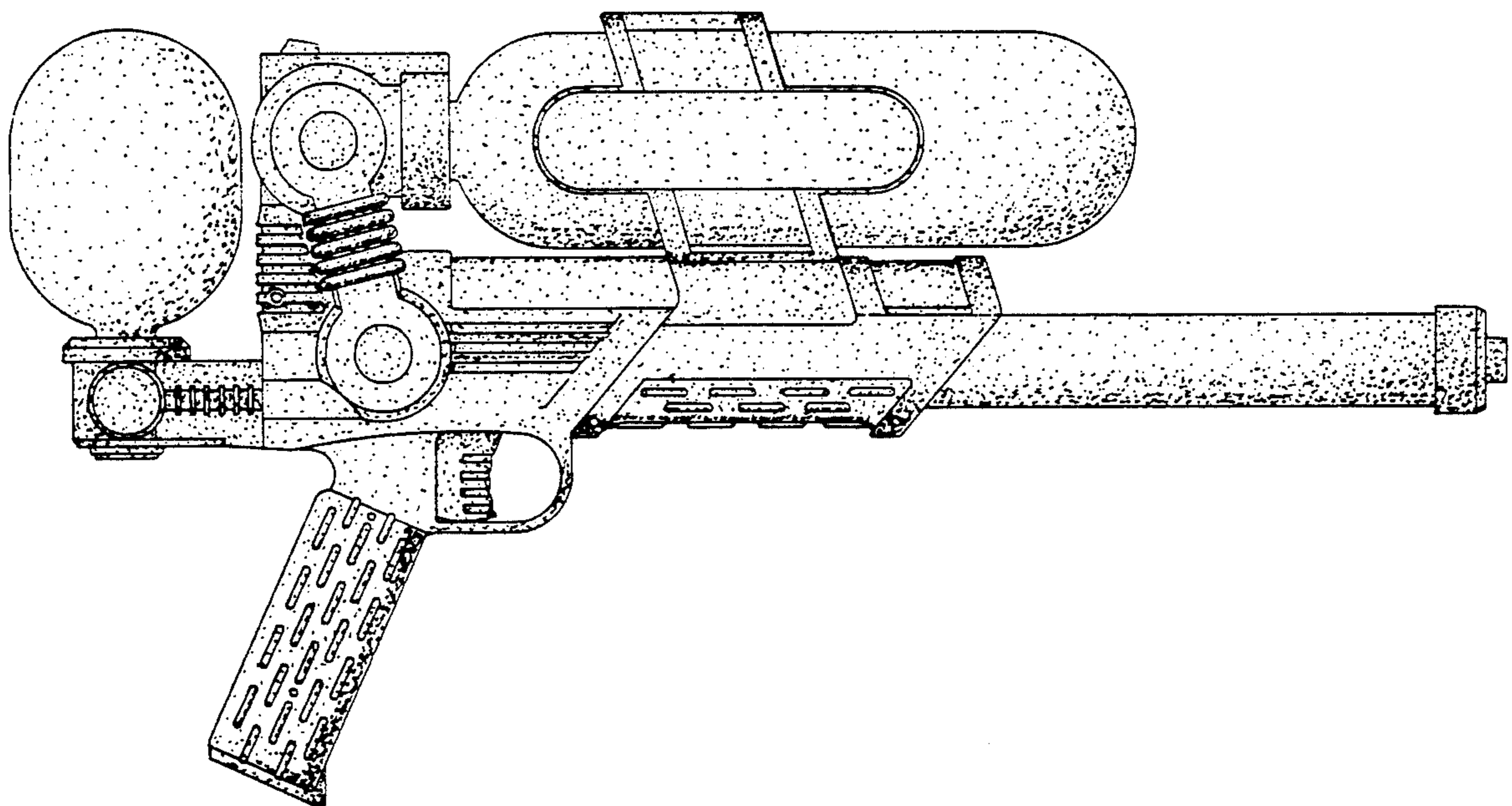
### [57] CLAIM

The ornamental design for a double tank water gun, as shown and described.

### DESCRIPTION

FIG. 1 is a front elevational view of a double tank water gun showing our new design;  
 FIG. 2 is a rear elevational view thereof;  
 FIG. 3 is a left side elevational view thereof with the right side elevational view being a mirror image thereof;  
 FIG. 4 is a top plan view thereof; and,  
 FIG. 5 is a bottom plan view thereof.

- [56] **References Cited**
- U.S. PATENT DOCUMENTS**
- D. 265,221 6/1982 Hardin ..... D21/147
- D. 285,327 8/1986 Yano ..... D21/147



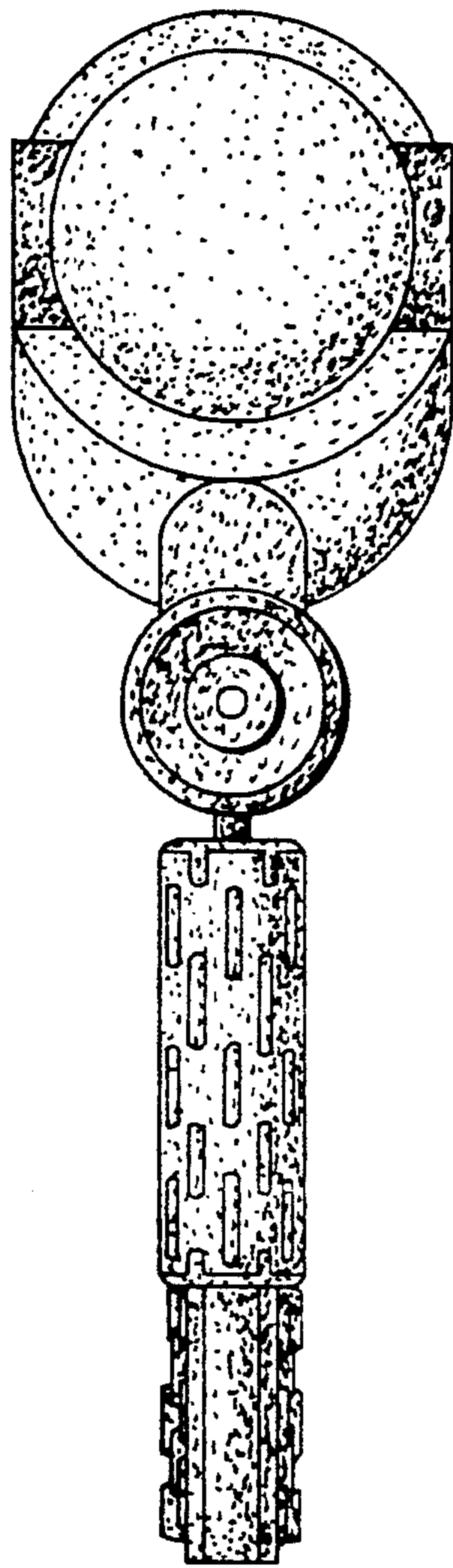


FIG. 1

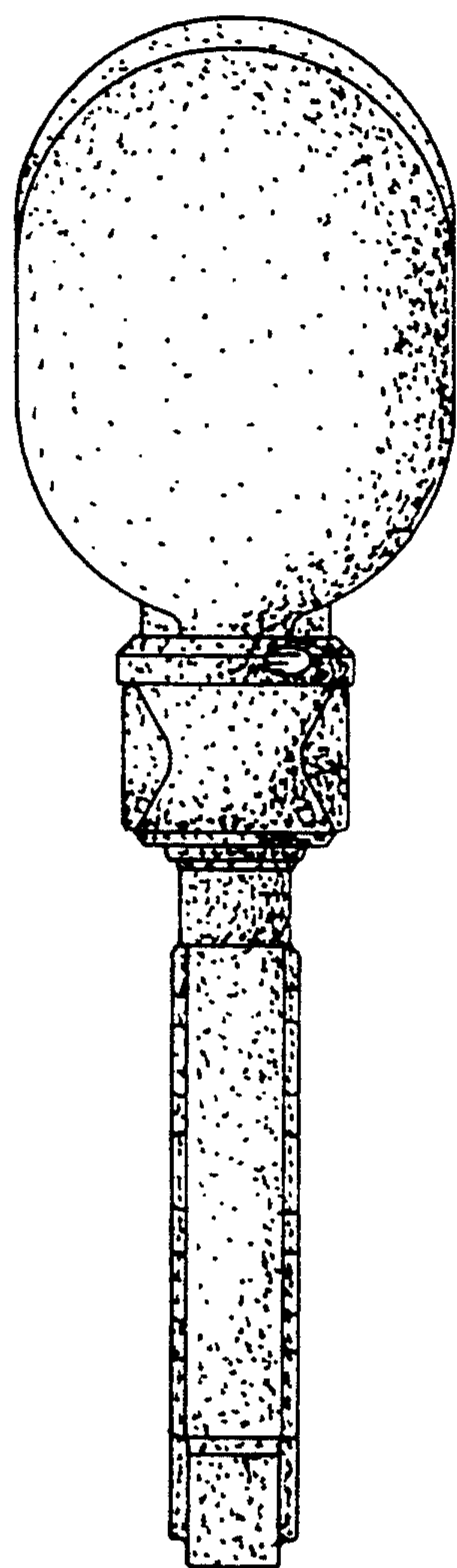


FIG. 2

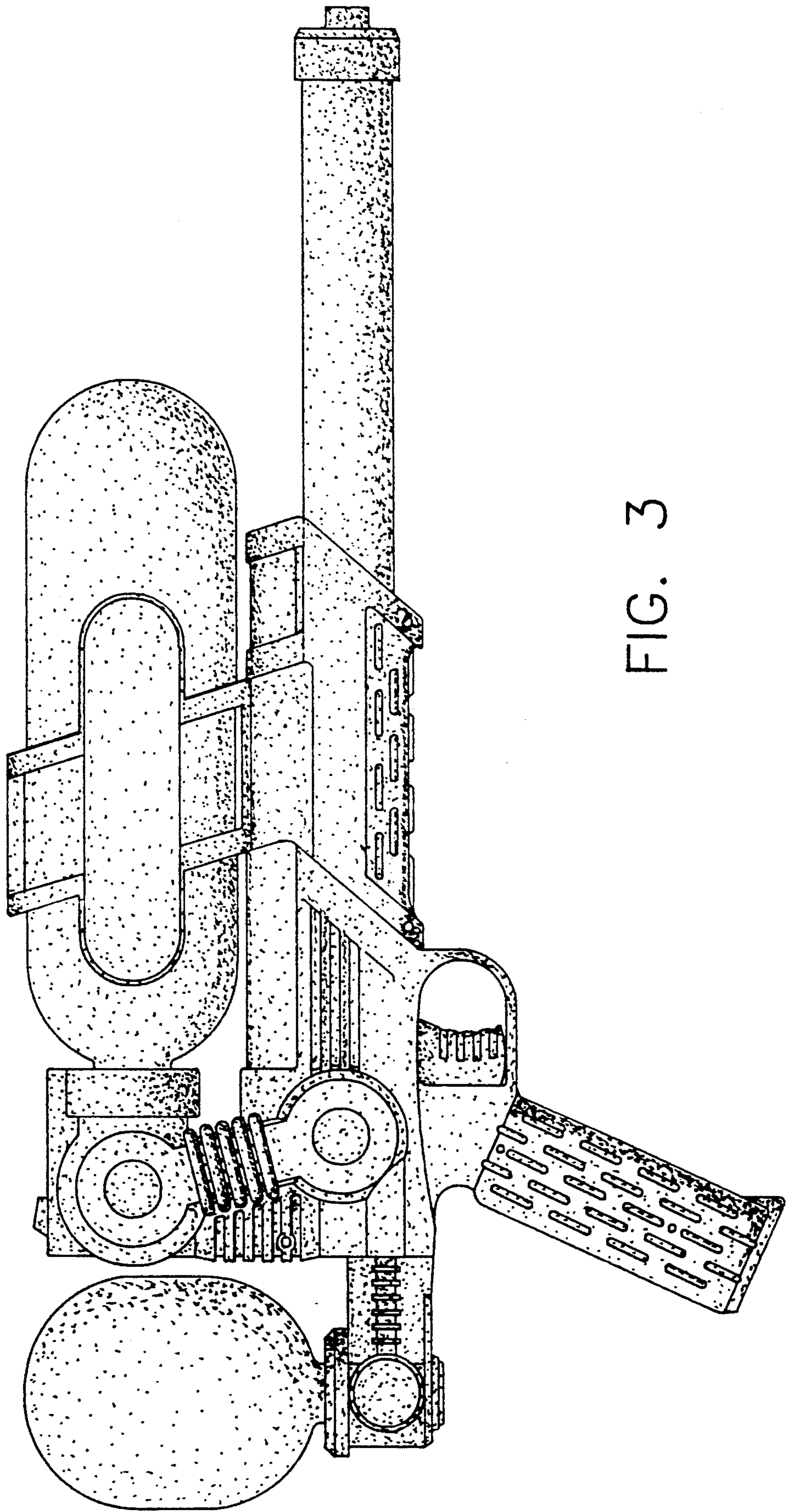


FIG. 3

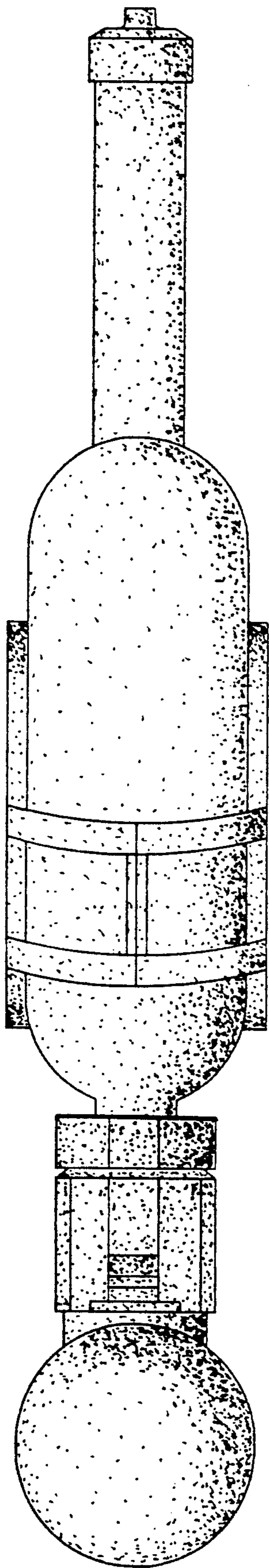


FIG. 4

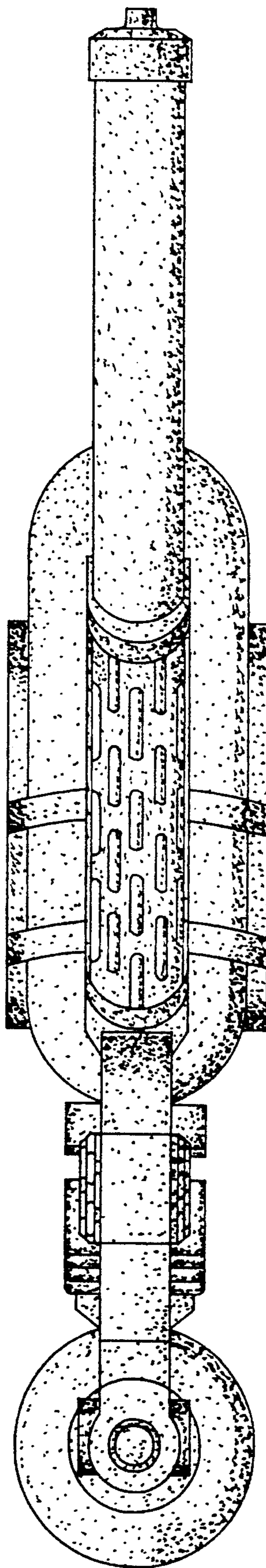


FIG. 5