



US00D336937S

United States Patent [19]

[11] Patent Number: **Des. 336,937**

Sato

[45] Date of Patent: **** Jun. 29, 1993**

[54] **CLOCK GAME**

2,646,646	7/1953	Glass	446/310
2,705,387	4/1955	Handler	446/310
4,474,480	10/1984	Kato	368/272

[75] Inventor: **Seiichi Sato, Tokyo, Japan**

[73] Assignee: **Tomy Company, Ltd., Tokyo, Japan**

[**] Term: **14 Years**

[21] Appl. No.: **641,087**

[22] Filed: **Jan. 14, 1991**

[30] **Foreign Application Priority Data**

Jul. 16, 1990	[JP]	Japan	2-23995
[52]	U.S. Cl.		D21/144
[58]	Field of Search	D21/144; D10/11; 368/45, 272, 273, 274; 446/308, 310, 311, 299-300	

[56] **References Cited**

U.S. PATENT DOCUMENTS

D. 204,406	4/1966	Appel	D21/144
D. 272,049	1/1984	Bulgari	D10/11
2,504,811	4/1950	Davis	368/272

OTHER PUBLICATIONS

Small World Toys '84 Catalog p. 15 #E81 and #E872.
We're Cookin' Fisher Price Catalog '87 p. 24.

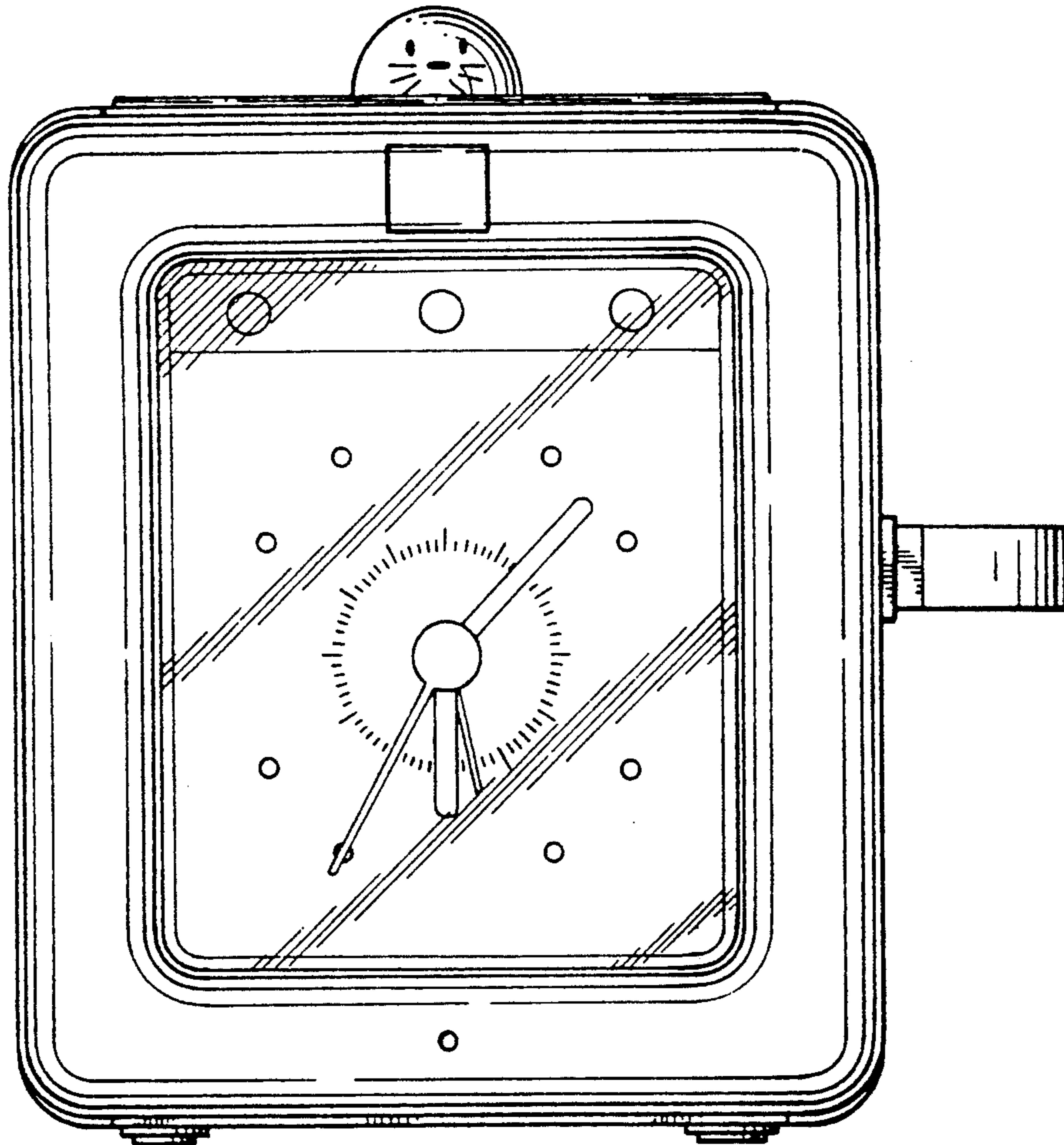
Primary Examiner—Bernard Ansher
Assistant Examiner—R. Barkai
Attorney, Agent, or Firm—Staas & Halsey

[57] **CLAIM**

The ornamental design for a clock game, as shown.

DESCRIPTION

FIG. 1 is a front elevational view of a clock game showing my new design;
FIG. 2 is rear elevational view thereof;
FIG. 3 is a right-side elevational view thereof;
FIG. 4 is left-side elevational view thereof;
FIG. 5 is a top plan view thereof; and,
FIG. 6 is a bottom plan view.



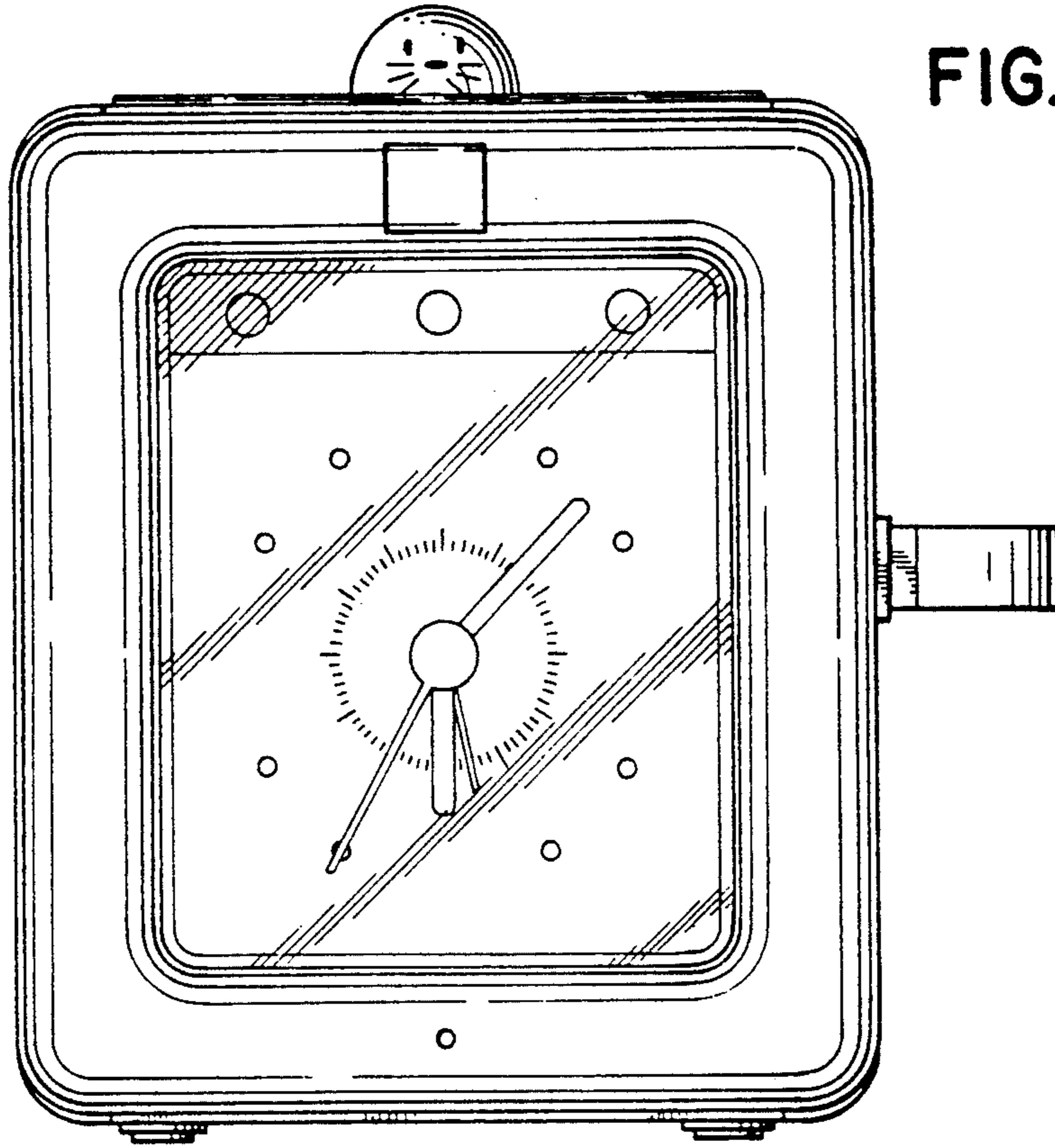


FIG. 1

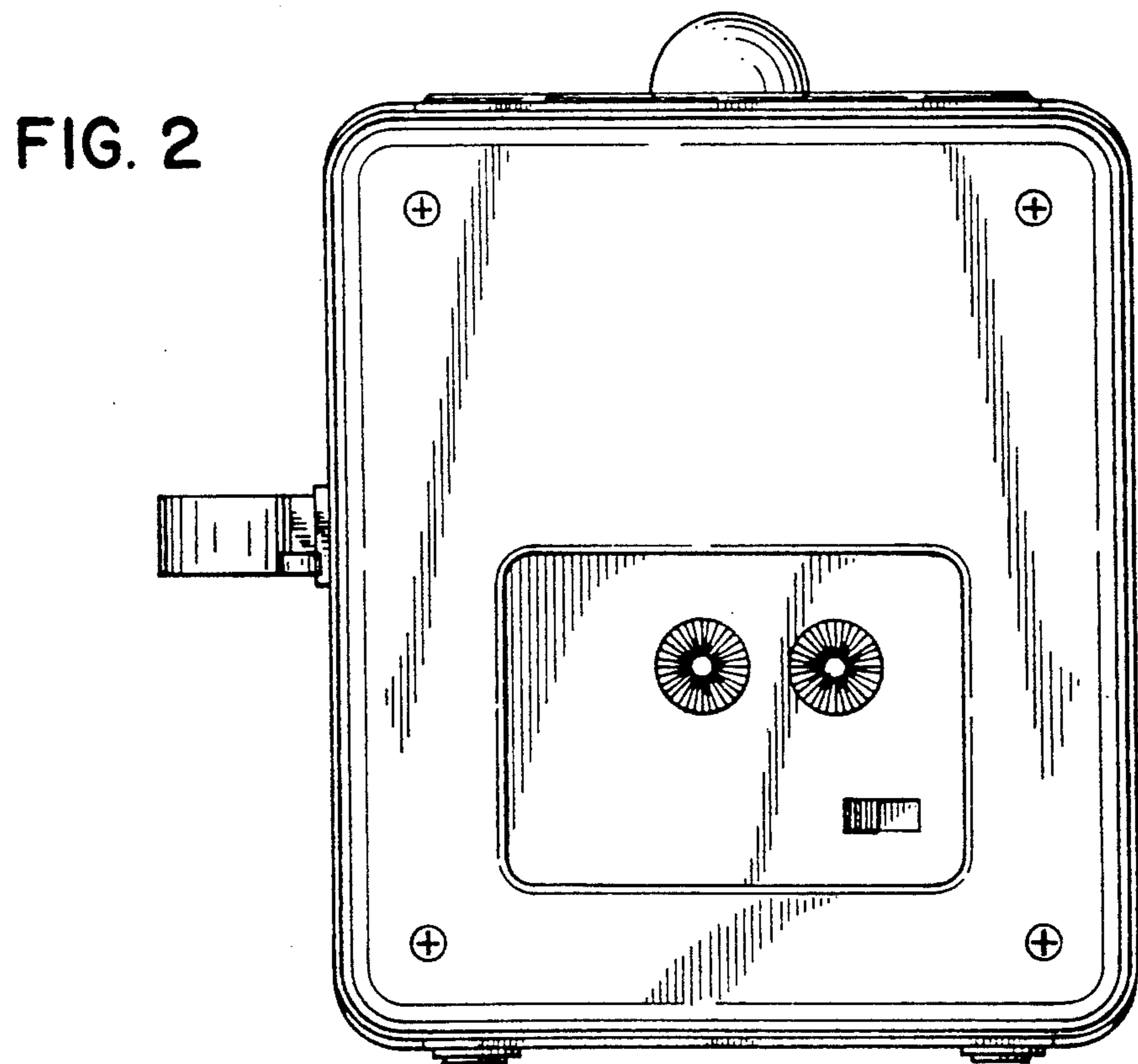


FIG. 2

FIG. 3

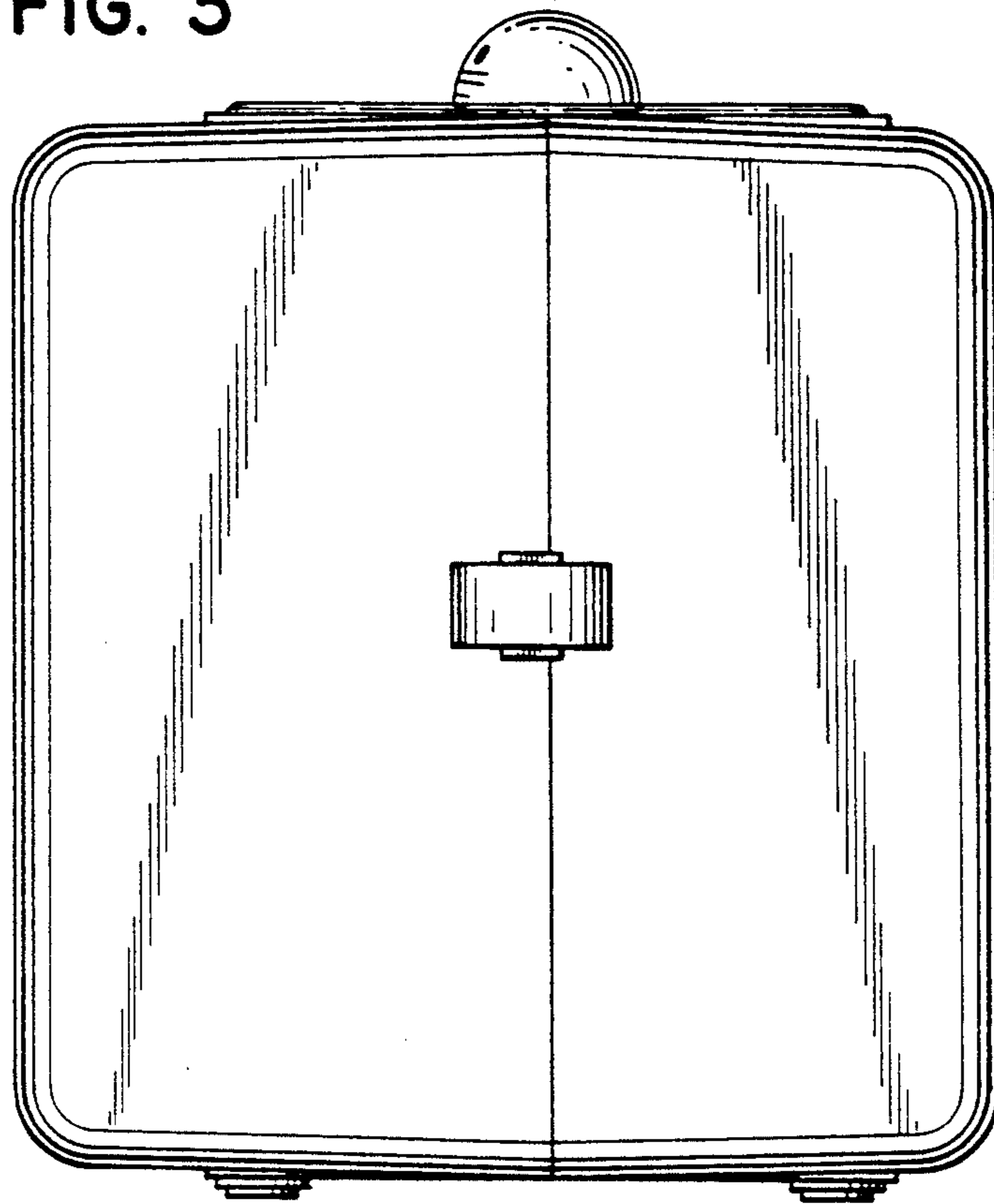
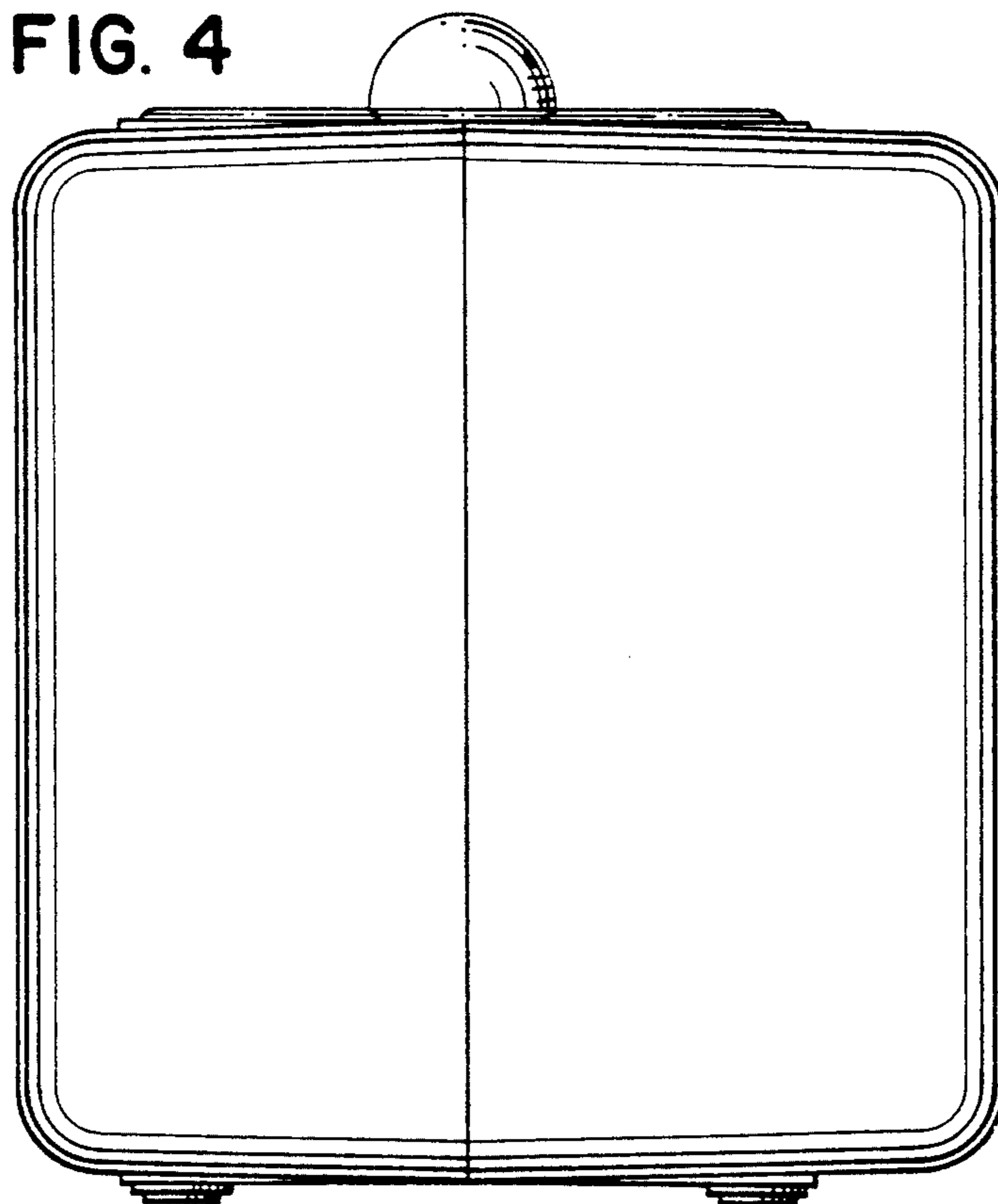


FIG. 4



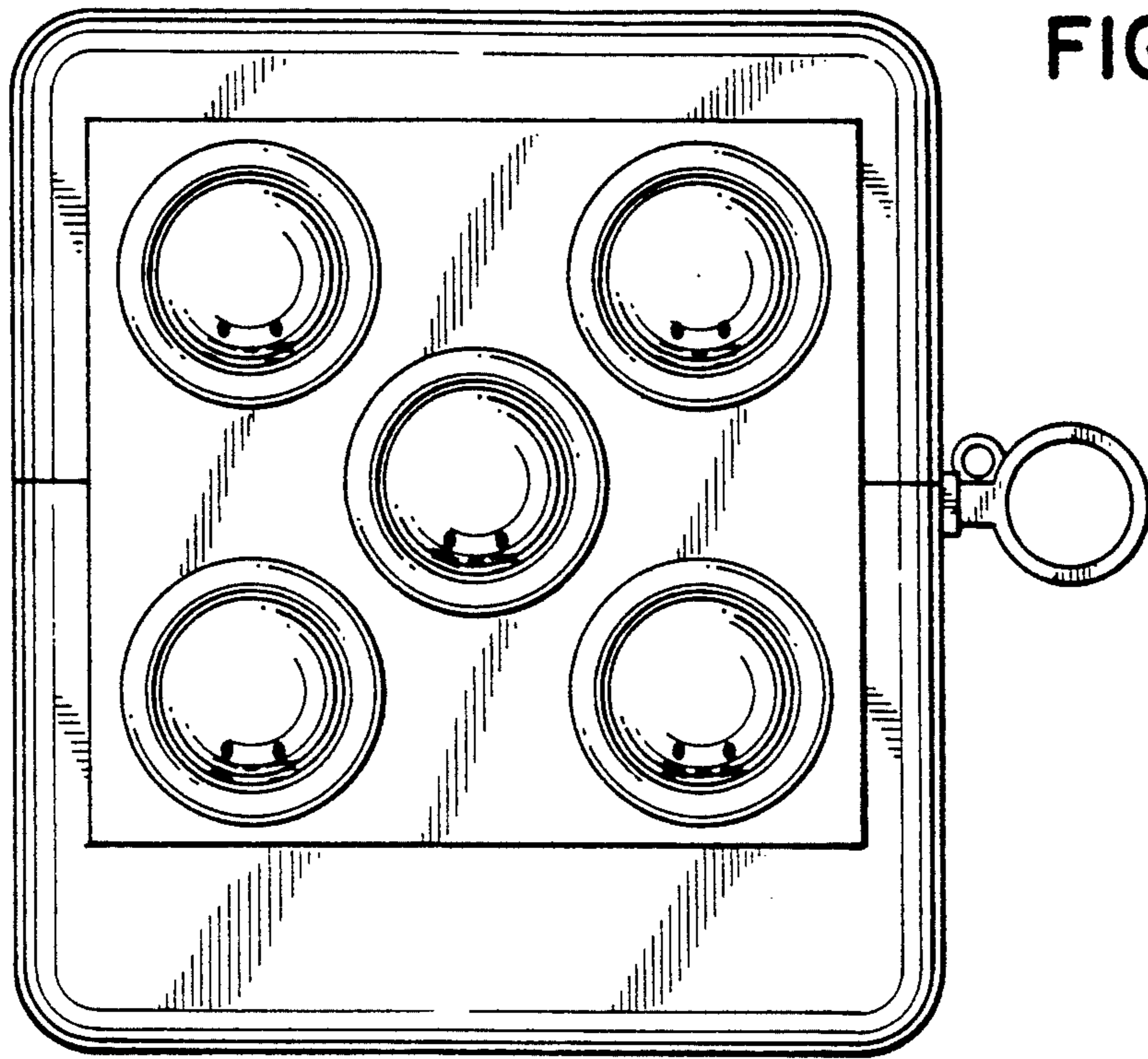


FIG. 5

FIG. 6

