



US00D336936S

# United States Patent [19]

Shiraishi

[11] Patent Number: Des. 336,936

[45] Date of Patent: \*\* Jun. 29, 1993

[54] TOY VEHICLE

[75] Inventor: Masami Shiraishi, Tokyo, Japan

[73] Assignee: Combi Corporation, Tokyo, Japan

[\*\*] Term: 14 Years

[21] Appl. No.: 799,635

[22] Filed: Nov. 29, 1991

[30] Foreign Application Priority Data

Jun. 5, 1991 [JP] Japan ..... 3-16289

[52] U.S. Cl. .... D21/136

[58] Field of Search ..... D21/73, 76-80, D21/124, 128, 134, 136, 139, 141, 141.1, 142, 161, 168, 177, 250; D12/85, 92, 128, 129; D19/63; 446/7, 279, 281, 451, 465; 280/47.36, 642-644, 658

[56] References Cited

U.S. PATENT DOCUMENTS

D. 282.091 1/1986 Nakao ..... D21/128

D. 310,397 9/1990 Myers ..... D21/128  
D. 318,698 7/1991 Roann ..... D21/136  
3,802,121 4/1974 Nielsen ..... 446/451

### OTHER PUBLICATIONS

Fine Woodworking Nov. 1979 p. 64 #1.

Primary Examiner—Bernard Ansher

Assistant Examiner—R. Barkai

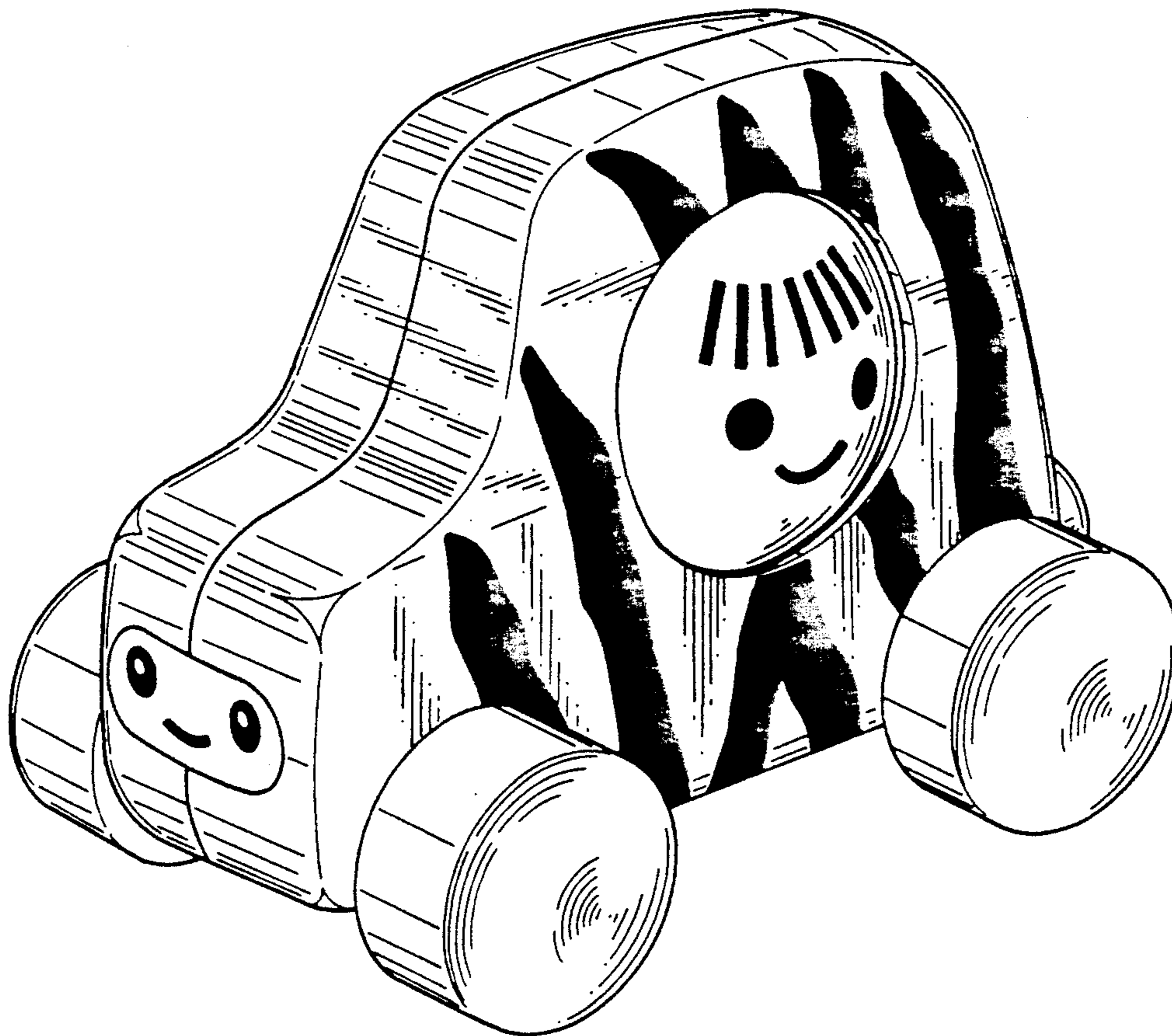
Attorney, Agent, or Firm—Sughrue, Mion, Zinn, Macpeak & Seas

### CLAIM

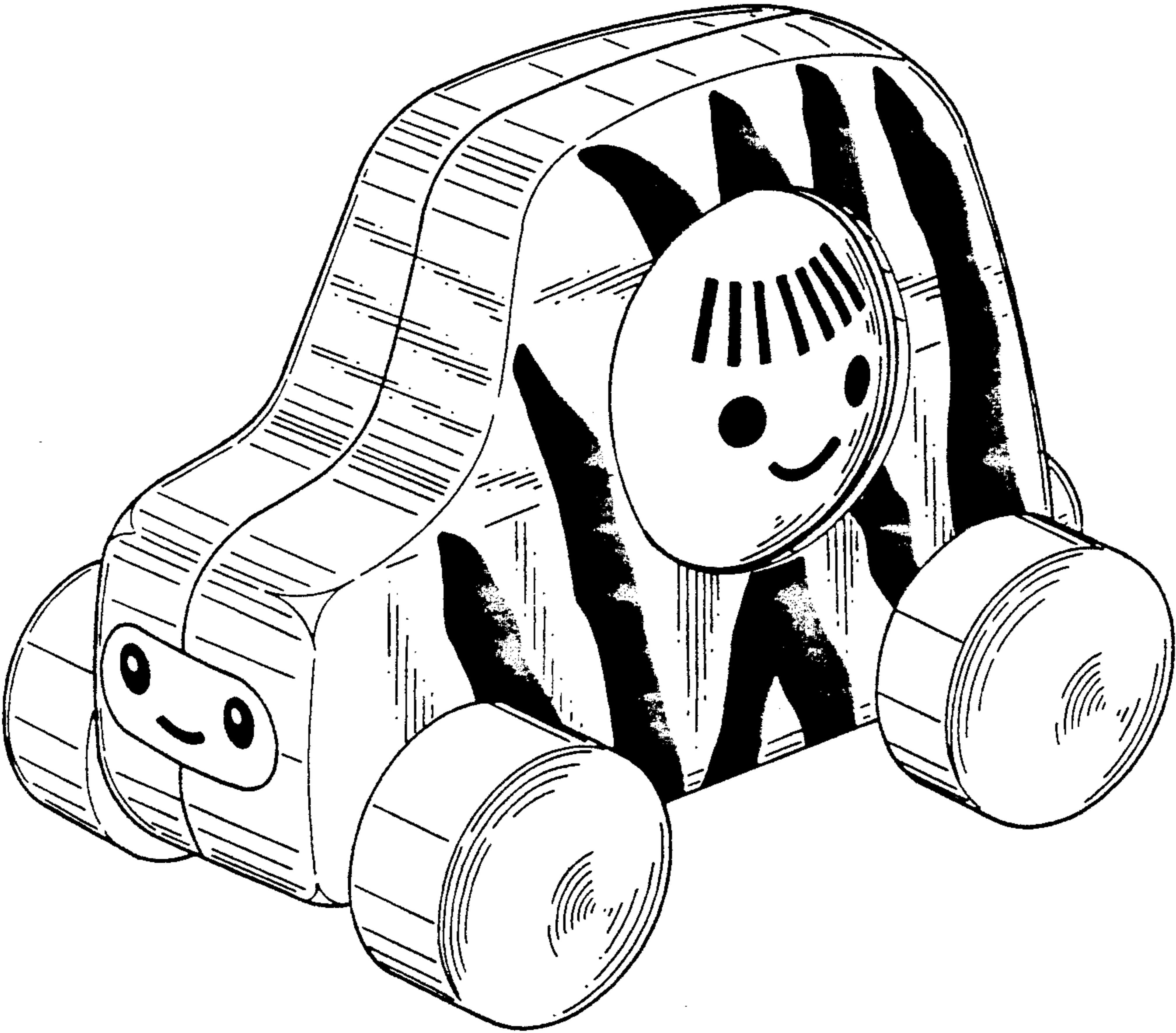
[57] The ornamental design for a toy vehicle, as shown.

### DESCRIPTION

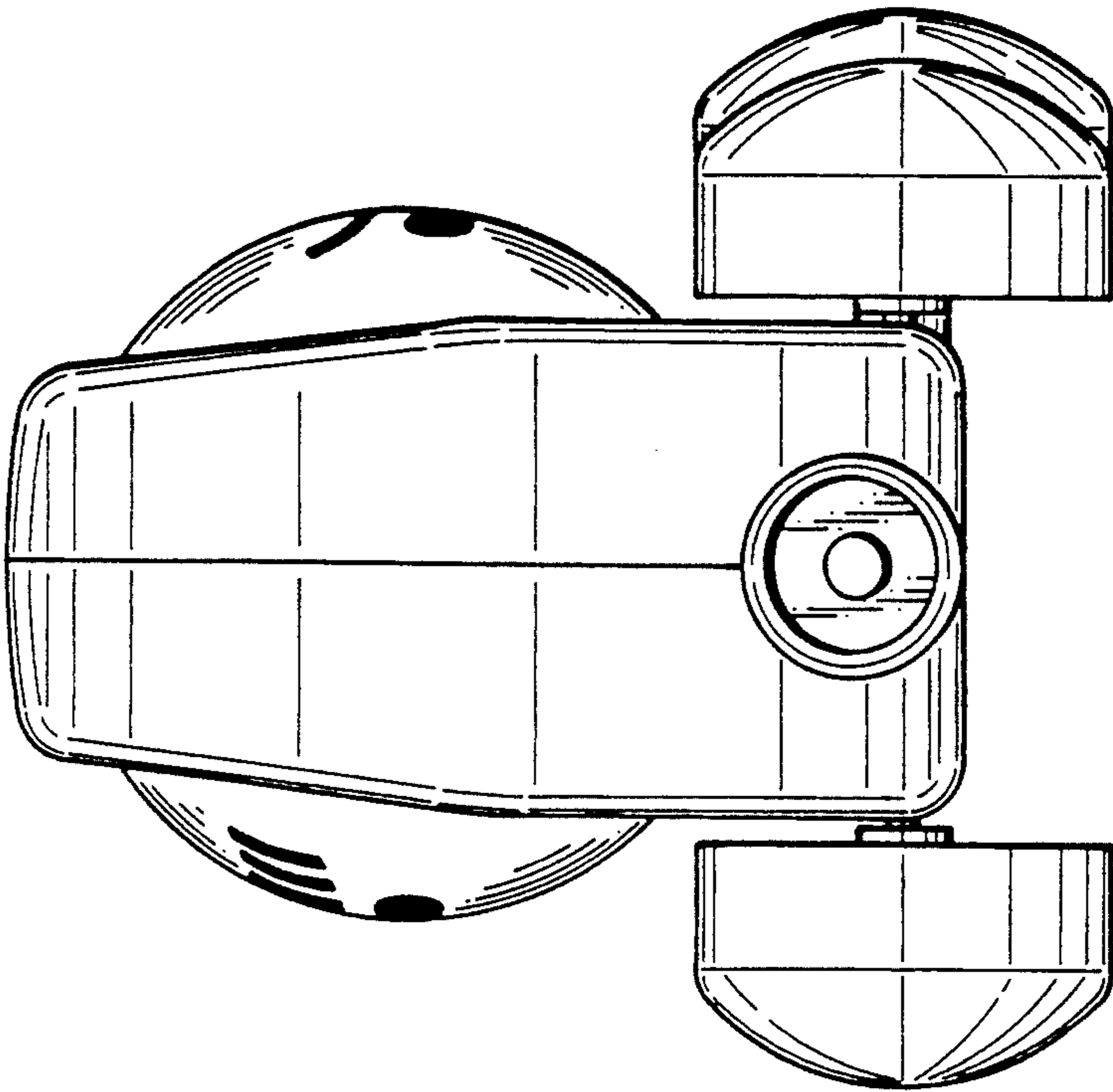
FIG. 1 is a front, top and right side perspective view of a toy vehicle showing my new design; FIG. 2 is a front elevational view thereof; FIG. 3 is a rear elevational view thereof; FIG. 4 is a left side elevational view thereof; FIG. 5 is a right side elevational view thereof; FIG. 6 is a top plan view thereof; and, FIG. 7 is a bottom plan view thereof.



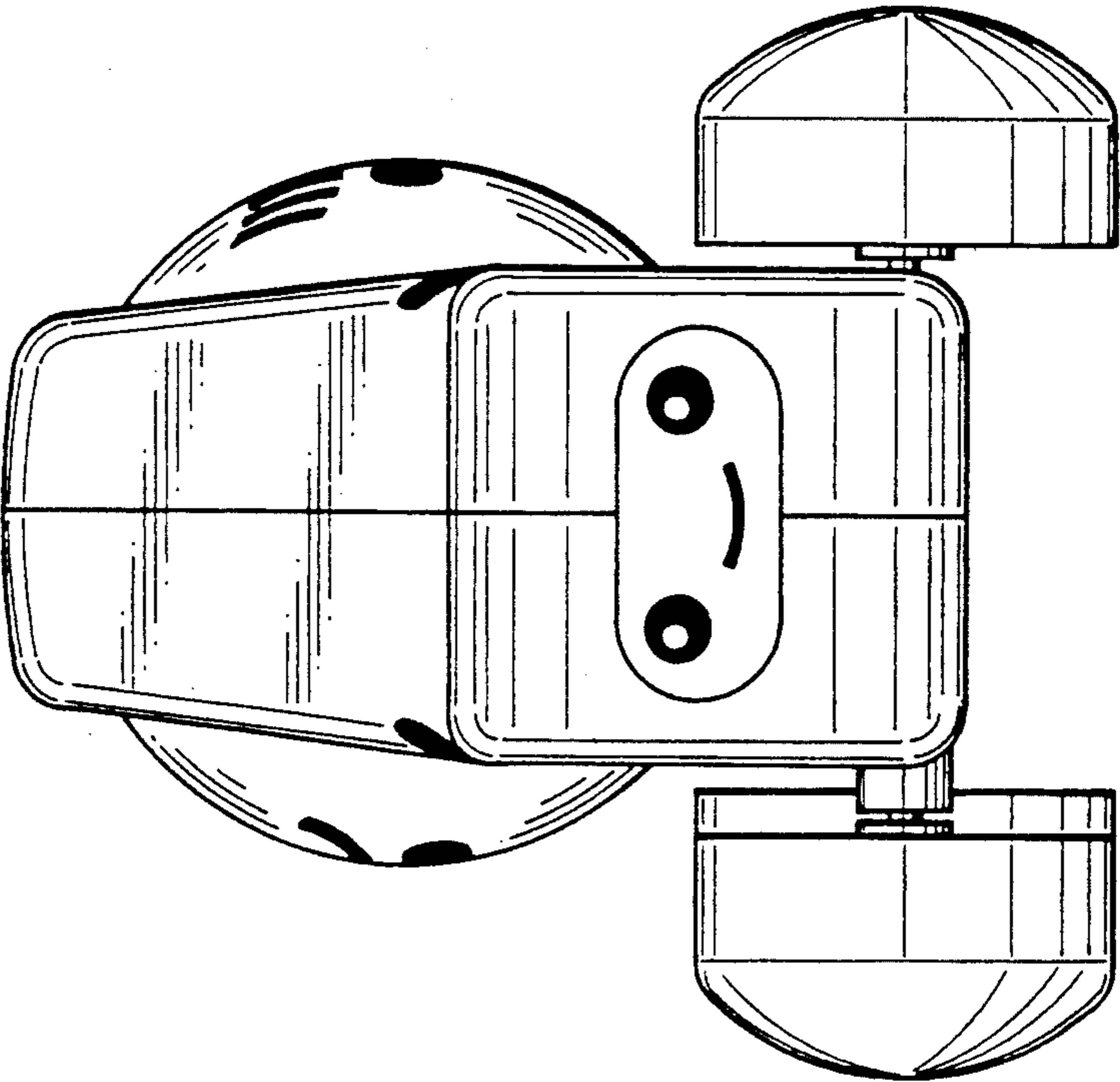
*Fig. 1*



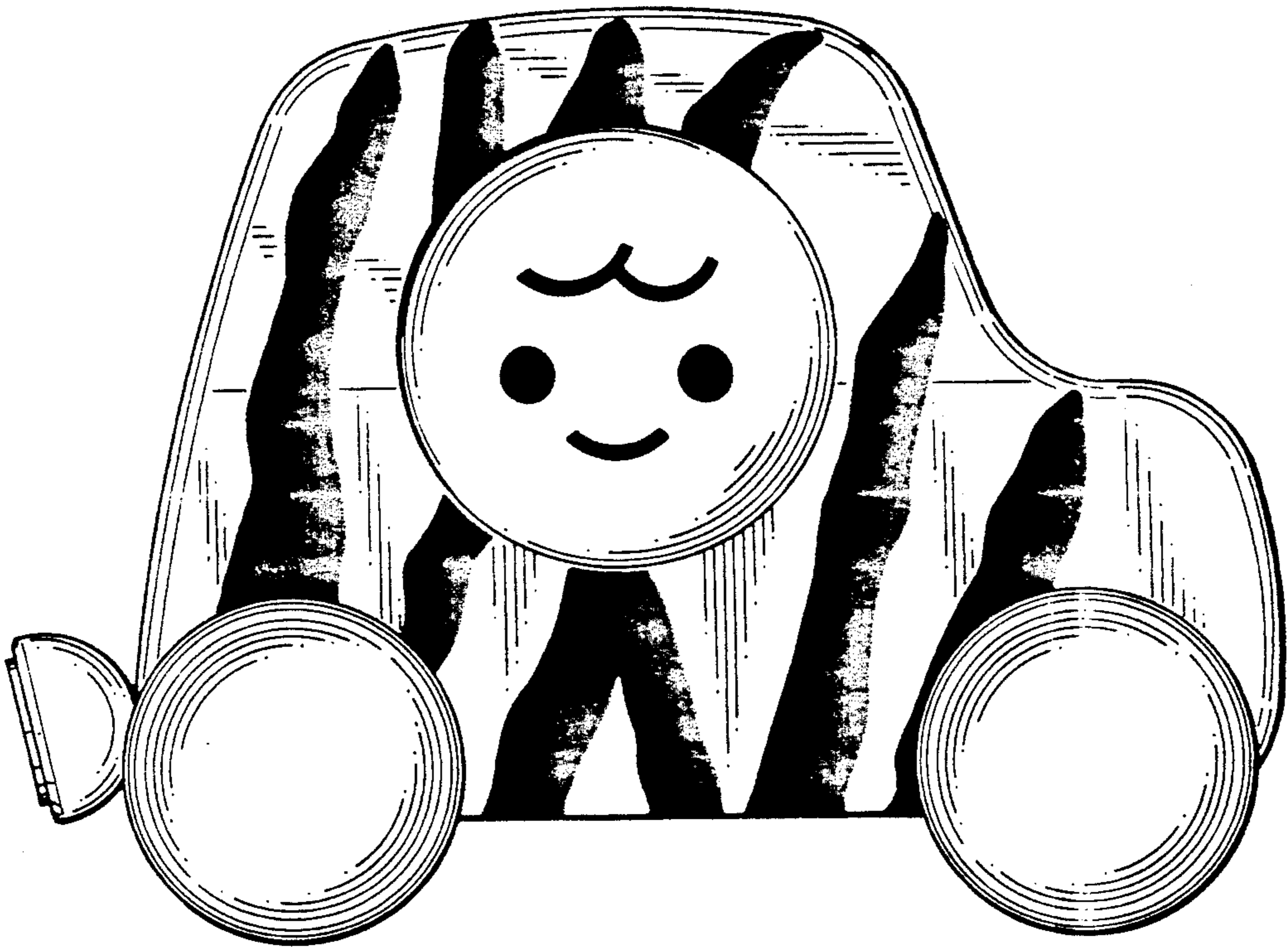
*Fig. 3*



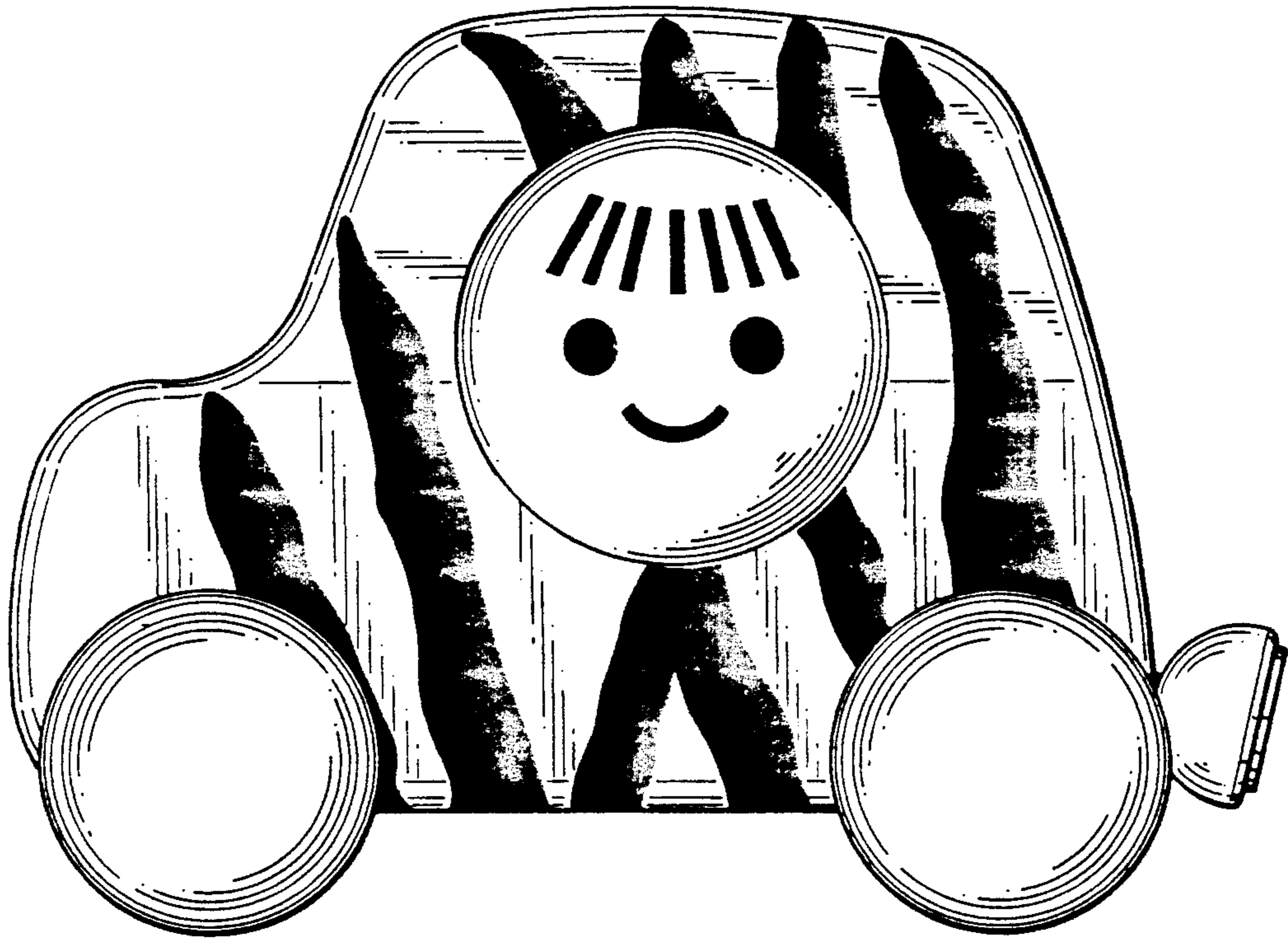
*Fig. 2*



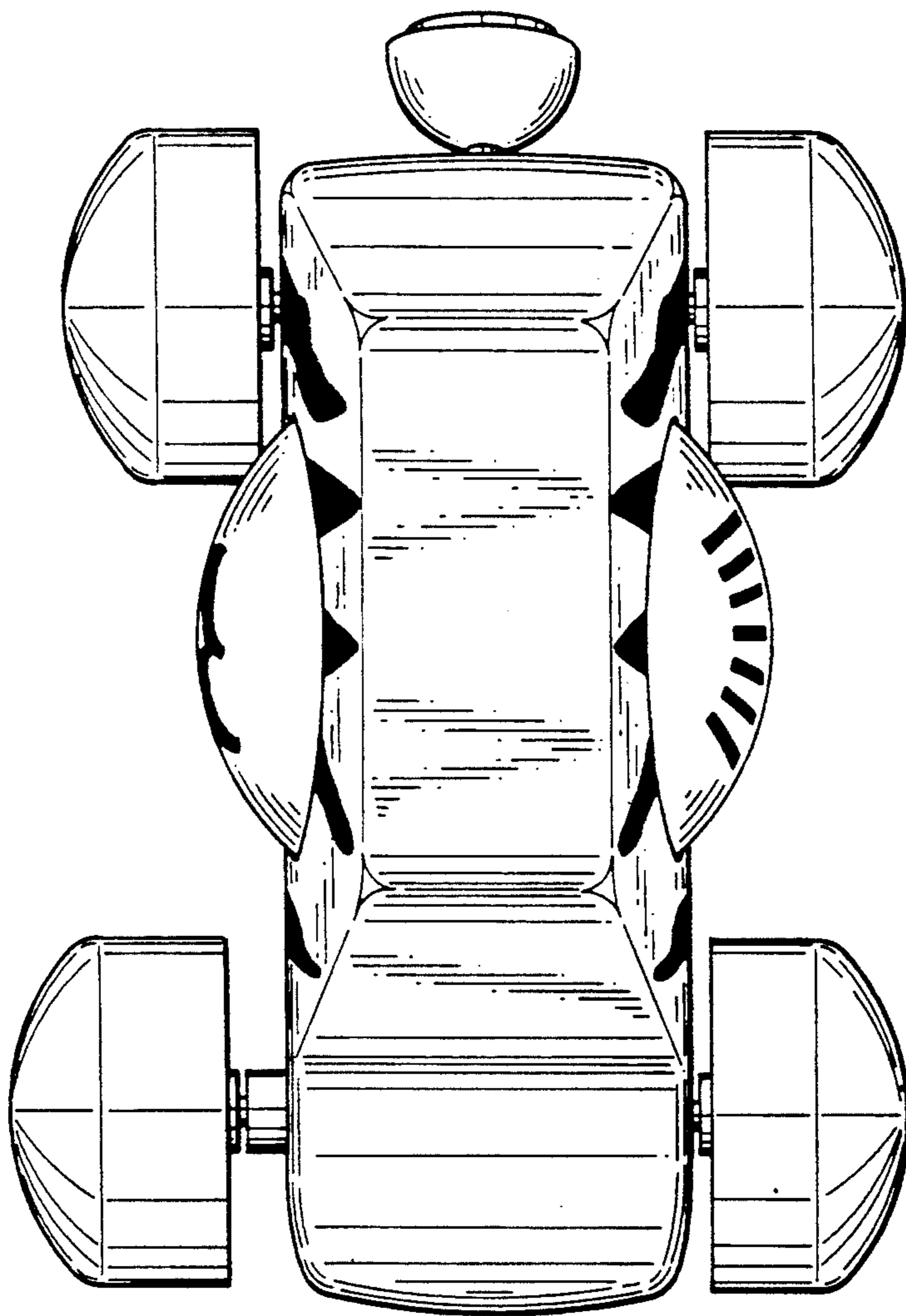
*Fig. 4*



*Fig. 5*



*Fig. 6*



*Fig. 7*

