



US00D336933S

United States Patent [19]

[11] Patent Number: **Des. 336,933**

Sharon et al.

[45] Date of Patent: **** Jun. 29, 1993**

[54] **COMBINED DIVIDER AND LABEL DISPLAY HOLDER FOR ORGANIZING MERCHANDISE ON RETAIL STORE SHELVING**

[56] **References Cited**

U.S. PATENT DOCUMENTS

D. 229,452	11/1973	Bentley	D20/40
2,053,124	9/1936	Banks	40/649
4,222,187	9/1980	Huck	40/649

[75] Inventors: **Barry Sharon, Creve Coeur, Mo.; David G. Hill, Alton, Ill.; Warren W. Hinderer, Chesterfield, Mo.**

Primary Examiner—Wallace R. Burke
Assistant Examiner—Marcus Jackson
Attorney, Agent, or Firm—Armstrong, Teasdale, Schafley & Davis

[73] Assignee: **The Nu-Era Group, Inc., St. Louis, Mo.**

[57] **CLAIM**

The ornamental design for the combined divider and label display holder for organizing merchandise on retail store shelving, as shown and described.

[**] Term: **14 Years**

DESCRIPTION

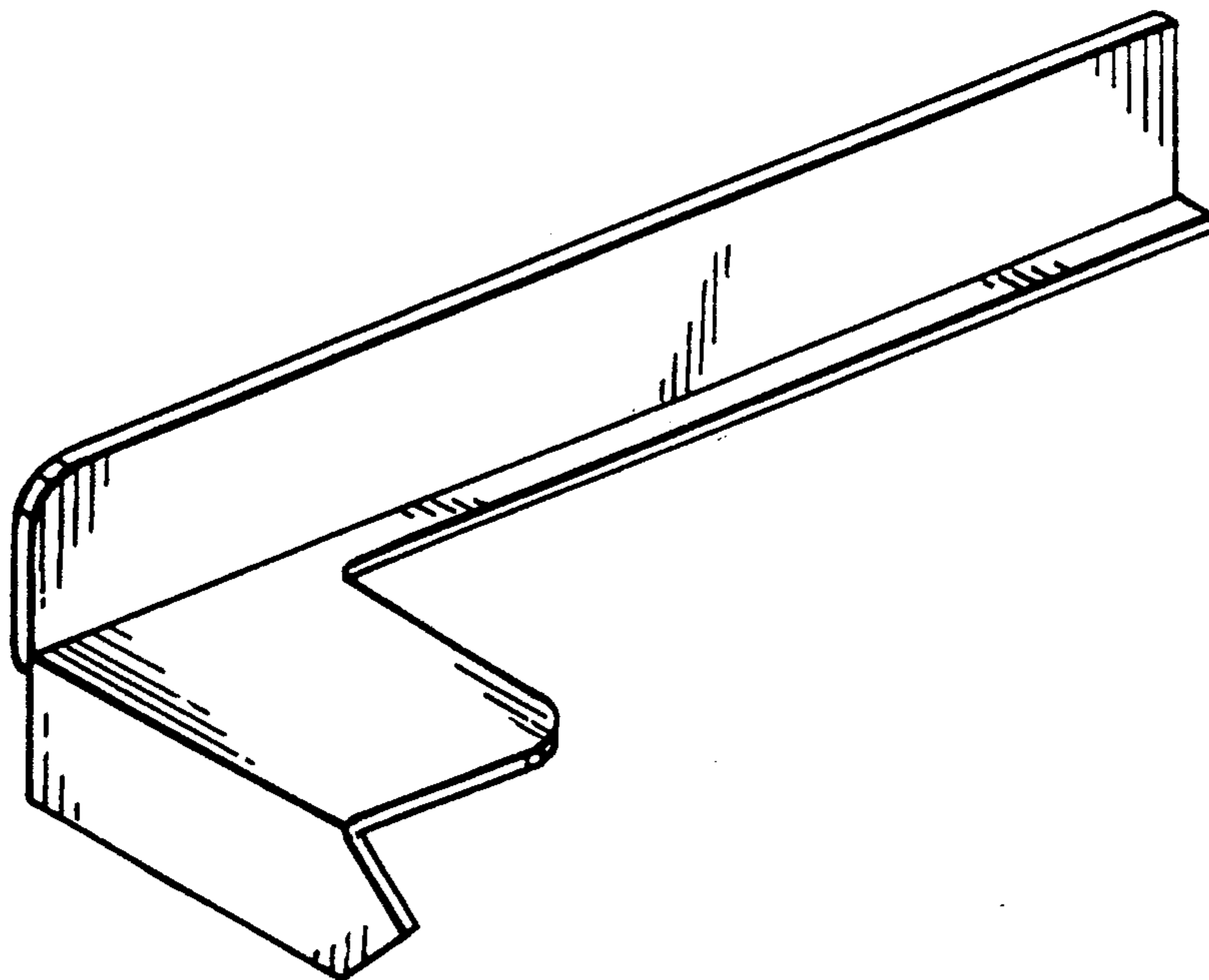
[21] Appl. No.: **573,052**

FIG. 1 is a perspective view of the shelf display bar showing our new design;
FIG. 2 is a front elevational view thereof;
FIG. 3 is a rear elevational view thereof;
FIG. 4 is a left side elevational view thereof;
FIG. 5 is a right side elevational view thereof;
FIG. 6 is a top plan view thereof; and,
FIG. 7 is a bottom plain view thereof.

[22] Filed: **Aug. 27, 1990**

[52] U.S. Cl. **D20/43**

[58] Field of Search **D20/10, 40, 41, 42, D20/43; 40/1, 124, 124.1, 641, 649, 650, 606, 584; D19/34.1, 34.2; D6/574**



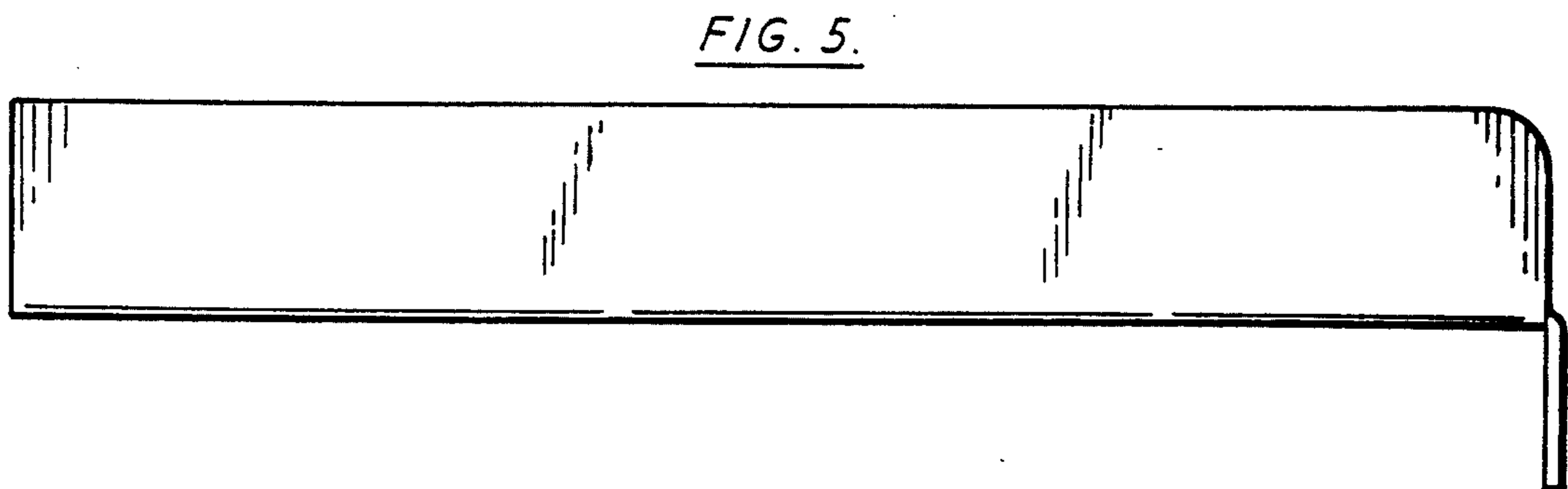
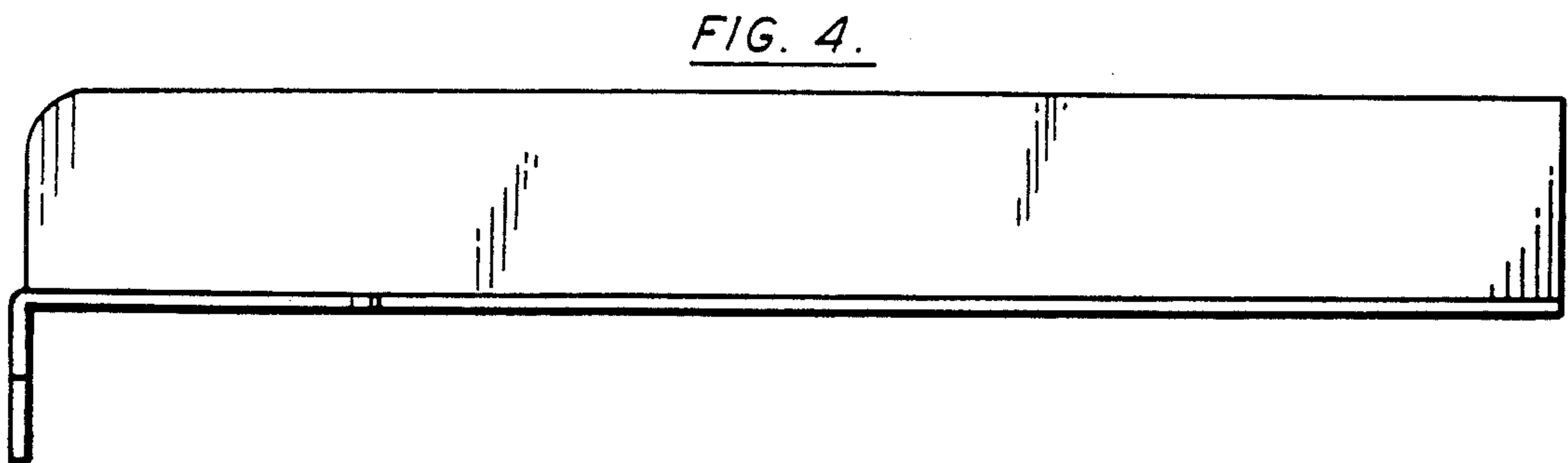
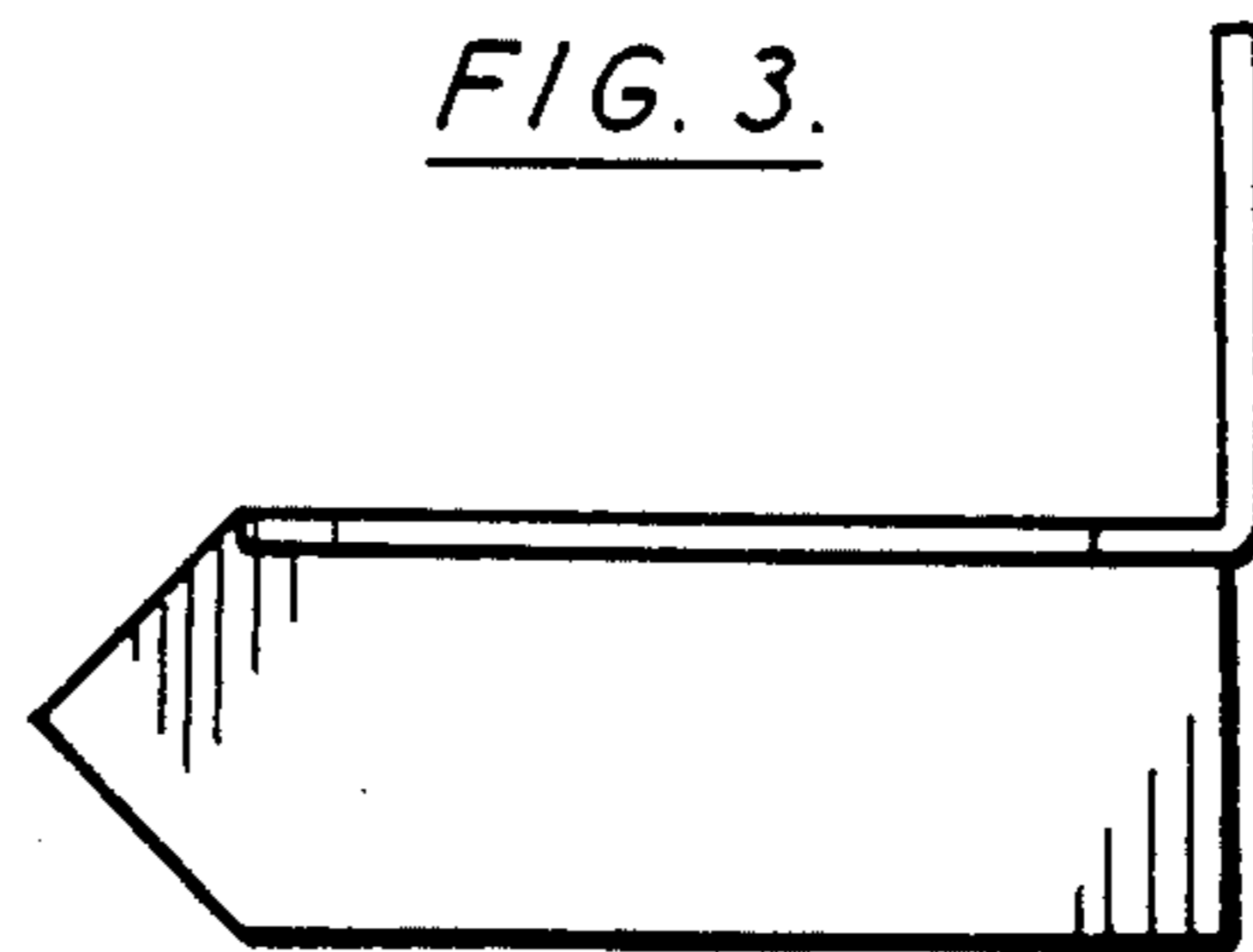
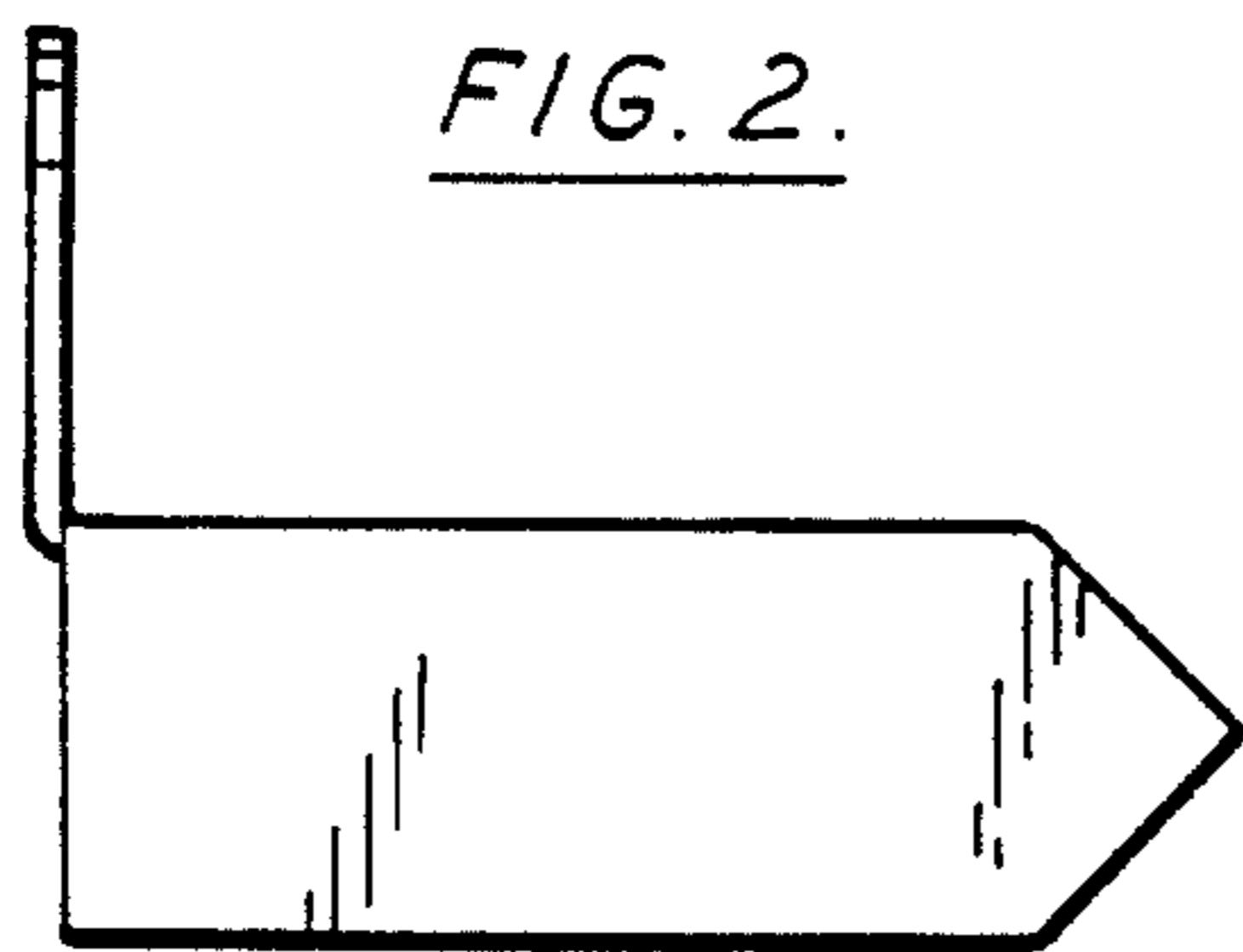
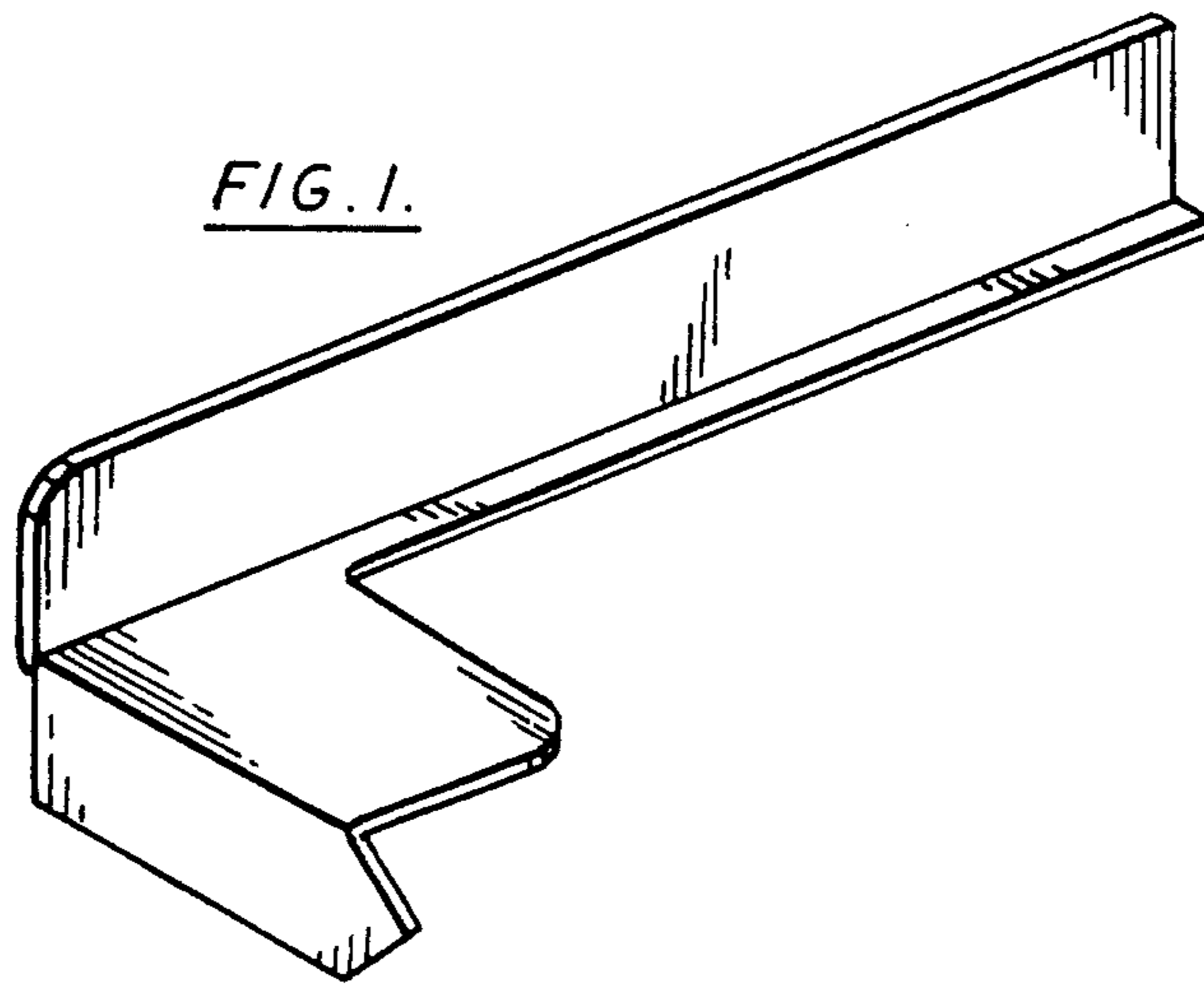


FIG. 6.

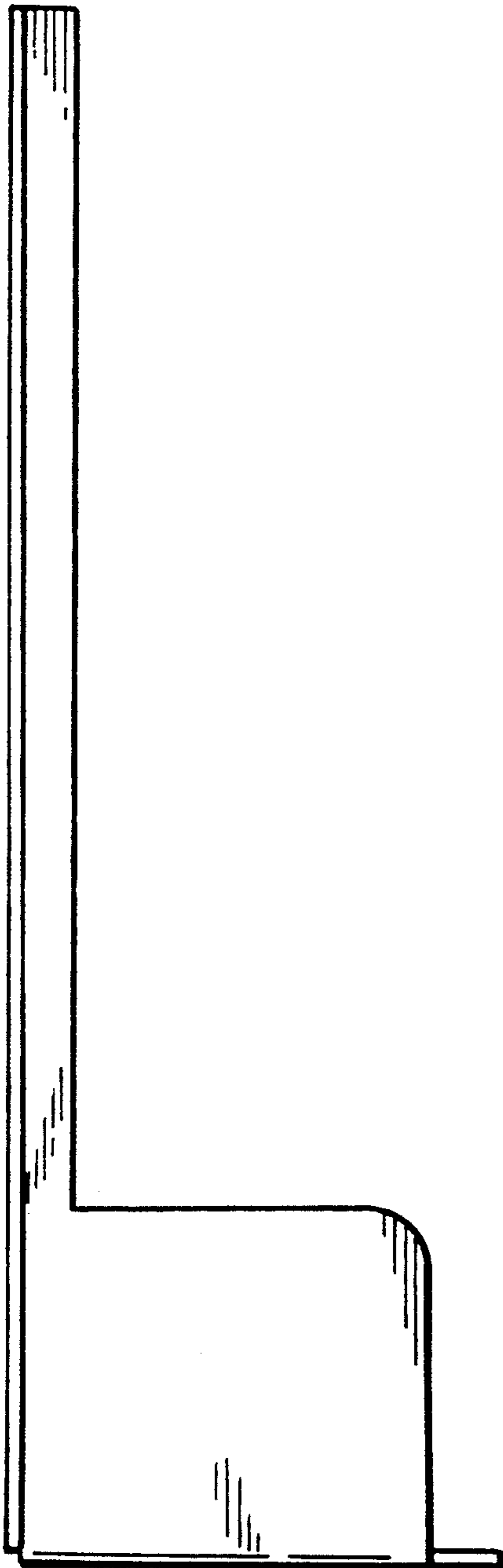


FIG. 7.

