



US00D336931S

United States Patent [19]

[11] Patent Number: **Des. 336,931**

McDonald

[45] Date of Patent: **** Jun. 29, 1993**

[54] SIGN HOLDER

2,124,025 7/1938 Braun 40/642

[76] Inventor: **Robert D. McDonald**, P.O. Box 508,
Dubuque, Iowa 52004-0508

FOREIGN PATENT DOCUMENTS

[**] Term: **14 Years**

764118 5/1934 France 40/642

965526 9/1950 France 40/585

[21] Appl. No.: **607,070**

9009017 8/1990 PCT Int'l Appl. 40/642

181611 11/1962 Sweden 40/642

[22] Filed: **Oct. 31, 1990**

Primary Examiner—Wallace R. Burke

Assistant Examiner—Marcus Jackson

[52] U.S. Cl. **D20/42**

Attorney, Agent, or Firm—Hill, Steadman & Simpson

[58] Field of Search D20/10, 22, 39, 40,
D20/41, 42, 23, 27, 28; 40/584, 618, 619, 624,
124, 124.2, 124.4, 642, 644, 649

[57] CLAIM

The ornamental design for a sign holder, as shown and described.

[56] References Cited

U.S. PATENT DOCUMENTS

D. 321,374	11/1991	Whitlock et al.	D20/42
1,027,008	5/1912	Sjouik	40/618
1,347,452	7/1920	Franzen	40/642
1,571,070	1/1926	Straub	40/642
1,671,392	5/1928	Wood	40/642
1,741,608	12/1929	Bronner	40/642
1,767,726	6/1930	Woerz	40/618
1,780,305	11/1930	Lipkowski	40/584

DESCRIPTION

FIG. 1 is a perspective view of a sign holder showing my new design;

FIG. 2 is a side elevational view thereof, with the opposite side being a mirror image;

FIG. 3 is a top plan view thereof;

FIG. 4 is a bottom plan view thereof; and,

FIG. 5 is a front elevational view thereof, with the rear being a mirror image.

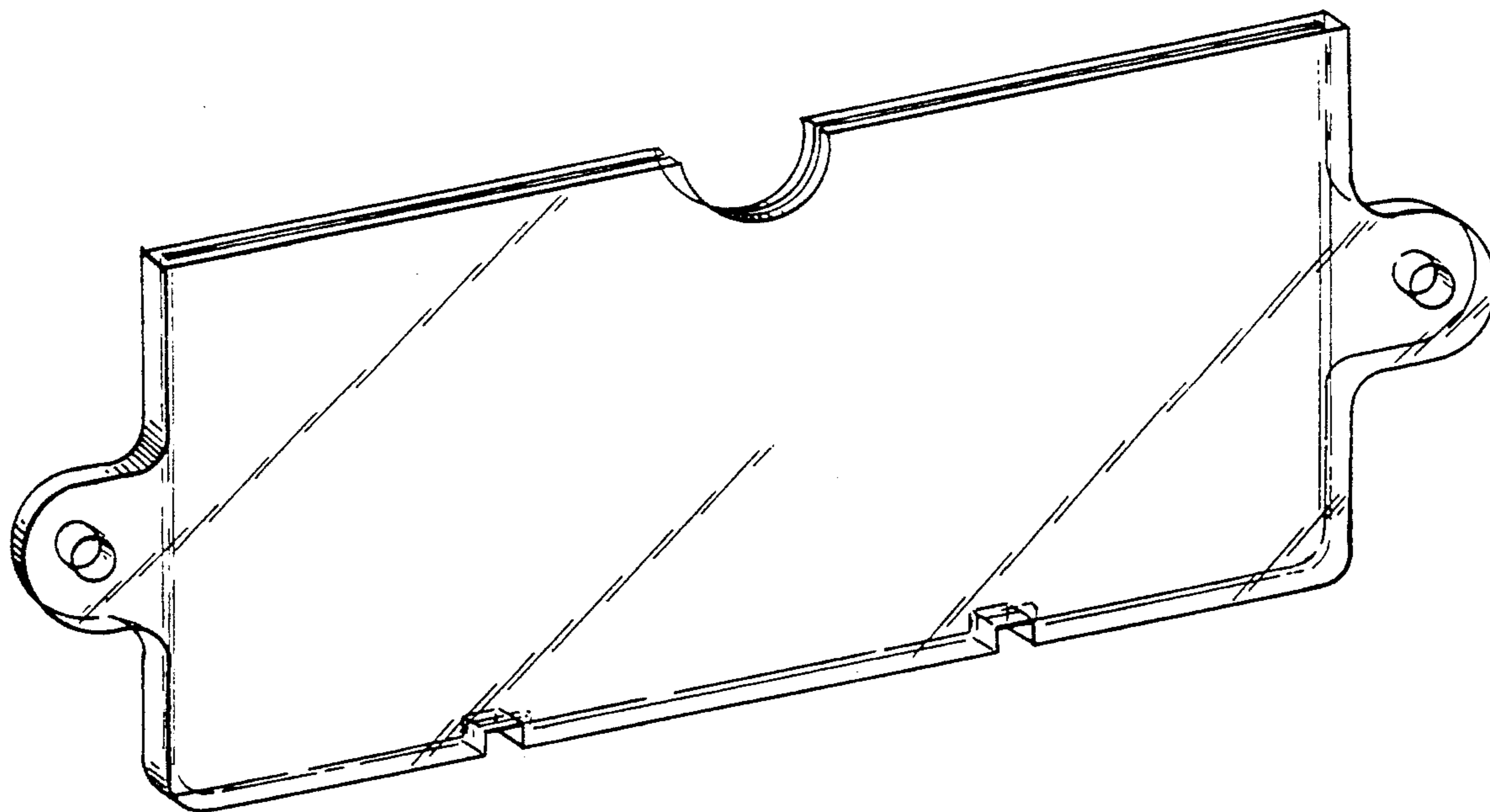


FIG. 1

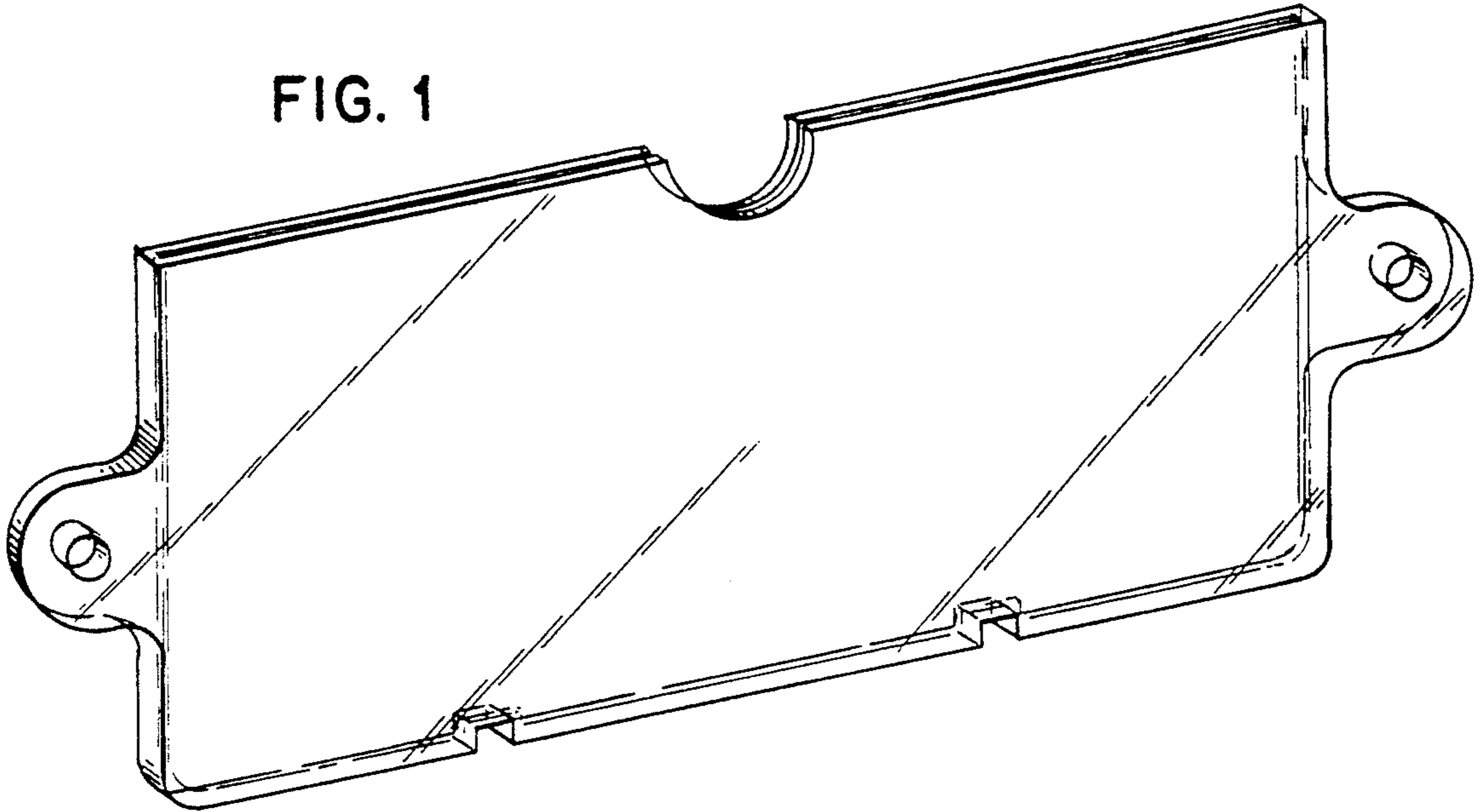


FIG. 2



FIG. 3

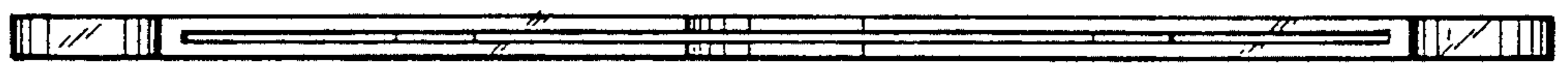


FIG. 4

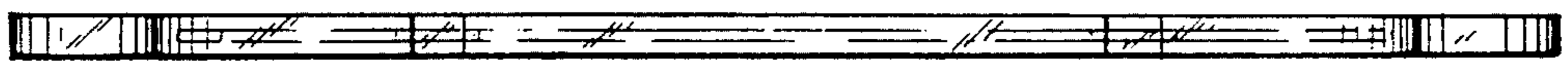


FIG. 5

