



US00D336929S

United States Patent [19]

Mori et al.

[11] Patent Number: **Des. 336,929**

[45] Date of Patent: **** Jun. 29, 1993**

[54] IDENTIFICATION TAG UNIT FOR ELECTRICAL WIRE ENDS

[75] Inventors: **Katsuhisa Mori, Osaka; Keiji Sonoda, Nara; Hideo Miyata, Neyagawashi, all of Japan**

[73] Assignee: **Nichifu Terminal Manufacture Co., Ltd., Osaka, Japan**

[**] Term: **14 Years**

[21] Appl. No.: **562,072**

[22] Filed: **Jul. 31, 1990**

[30] Foreign Application Priority Data

Jan. 31, 1990 [JP] Japan 2-2847

[52] U.S. Cl. **D20/22**

[58] Field of Search D20/10, 22, 23, 27, D20/43; 40/1, 1.6, 299, 316, 632; D8/354, 355, 356, 360.1, 383, 384

[56] References Cited

U.S. PATENT DOCUMENTS

2,043,919 6/1936 Bengtson 40/316
3,459,878 8/1969 Gressitt et al. 40/316

4,415,765 11/1983 Iwasa et al. 40/316

FOREIGN PATENT DOCUMENTS

750670 6/1956 Fed. Rep. of Germany 40/316

Primary Examiner—Wallace R. Burke

Assistant Examiner—Marcus Jackson

Attorney, Agent, or Firm—Edwin E. Greigg; Ronald E. Greigg

[57] CLAIM

The ornamental design for an identification tag unit for electrical wire ends, as shown and described.

DESCRIPTION

FIG. 1 is a top plan view of an identification tag unit for electrical wire ends showing my new design; FIG. 2 is a front elevational view thereof; FIG. 3 is a bottom plan view thereof; FIG. 4 is a rear elevational view thereof; FIG. 5 is a right side elevational view thereof; FIG. 6 is a left side elevational view thereof; FIG. 7 is a perspective view thereof, with the broken line showing for illustrative purposes only and forming no part of the claimed design; and, FIG. 8 is a sectional view taken along line 8—8 of FIG. 2.

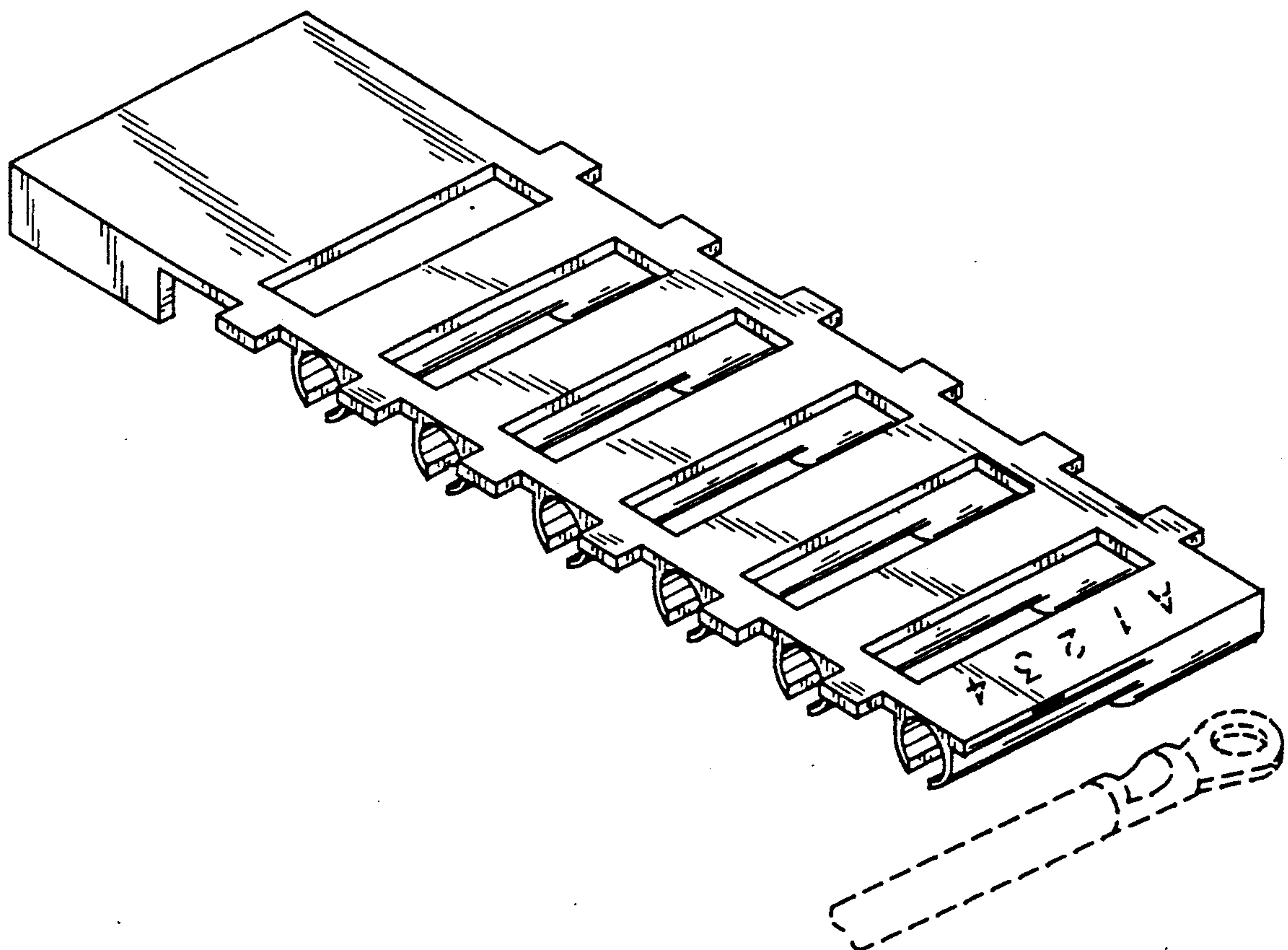


FIG. 1

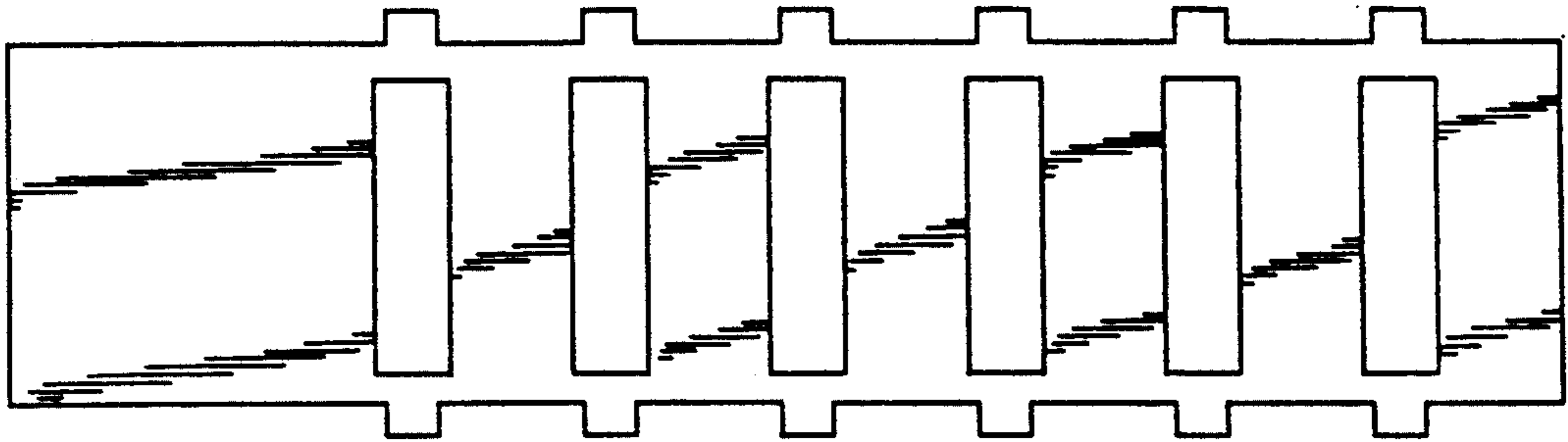


FIG. 2

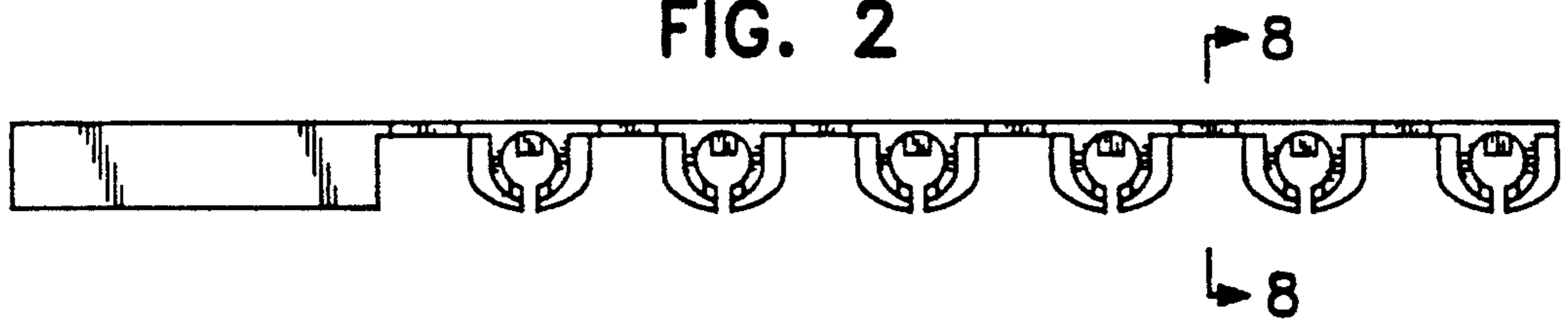


FIG. 3

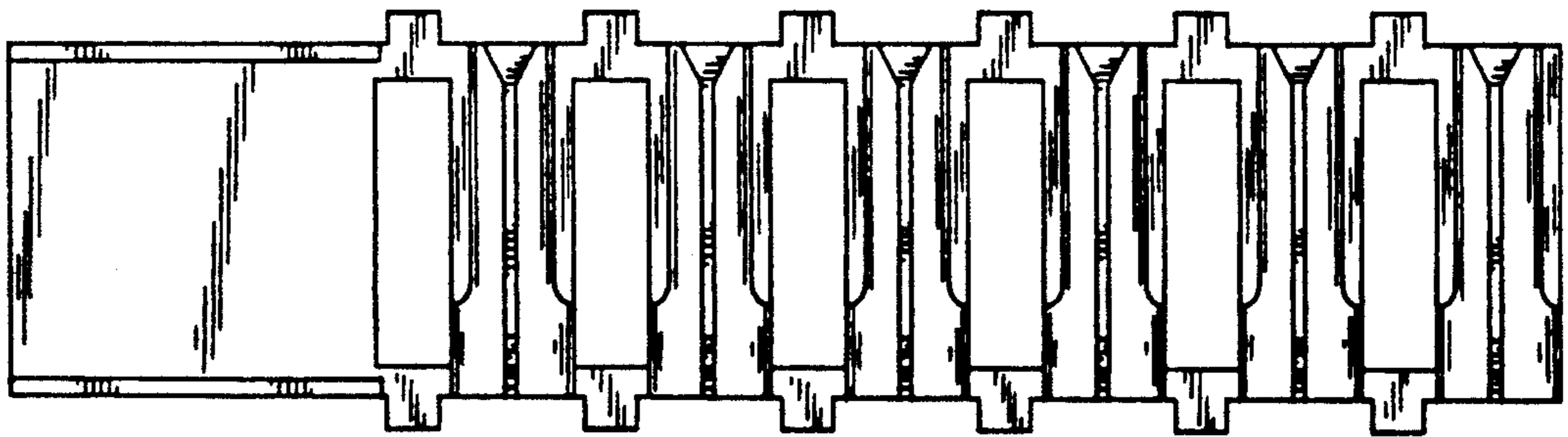
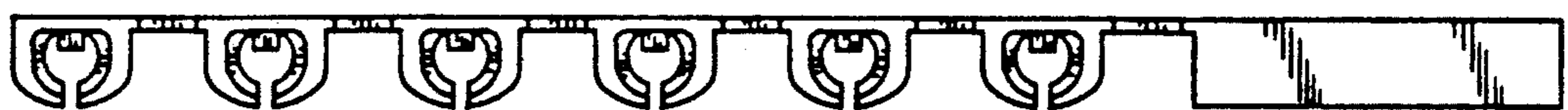


FIG. 4



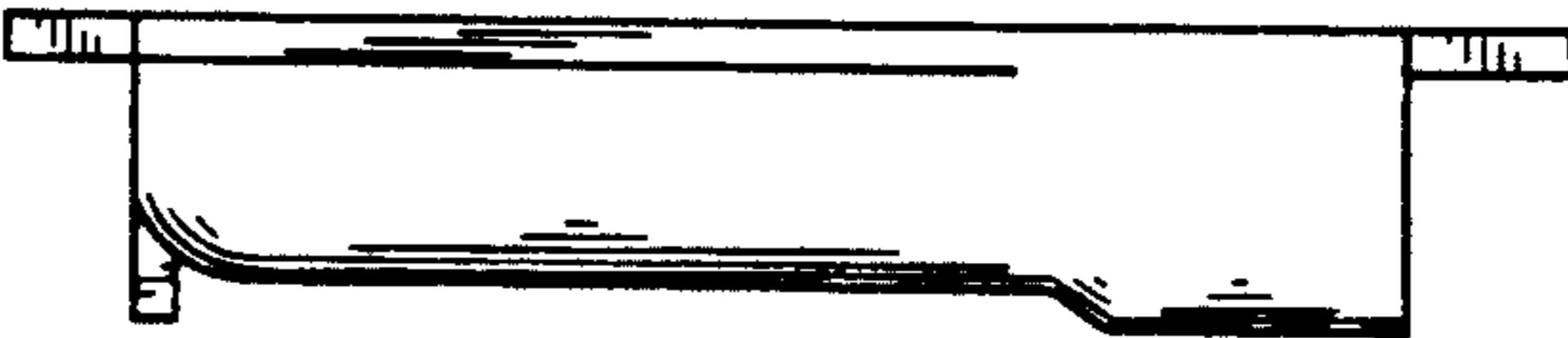


FIG. 5

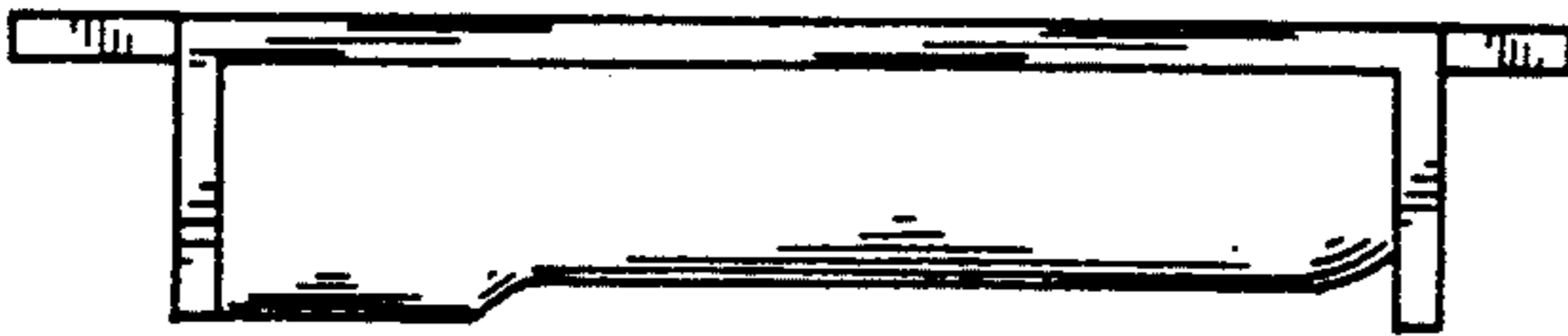


FIG. 6

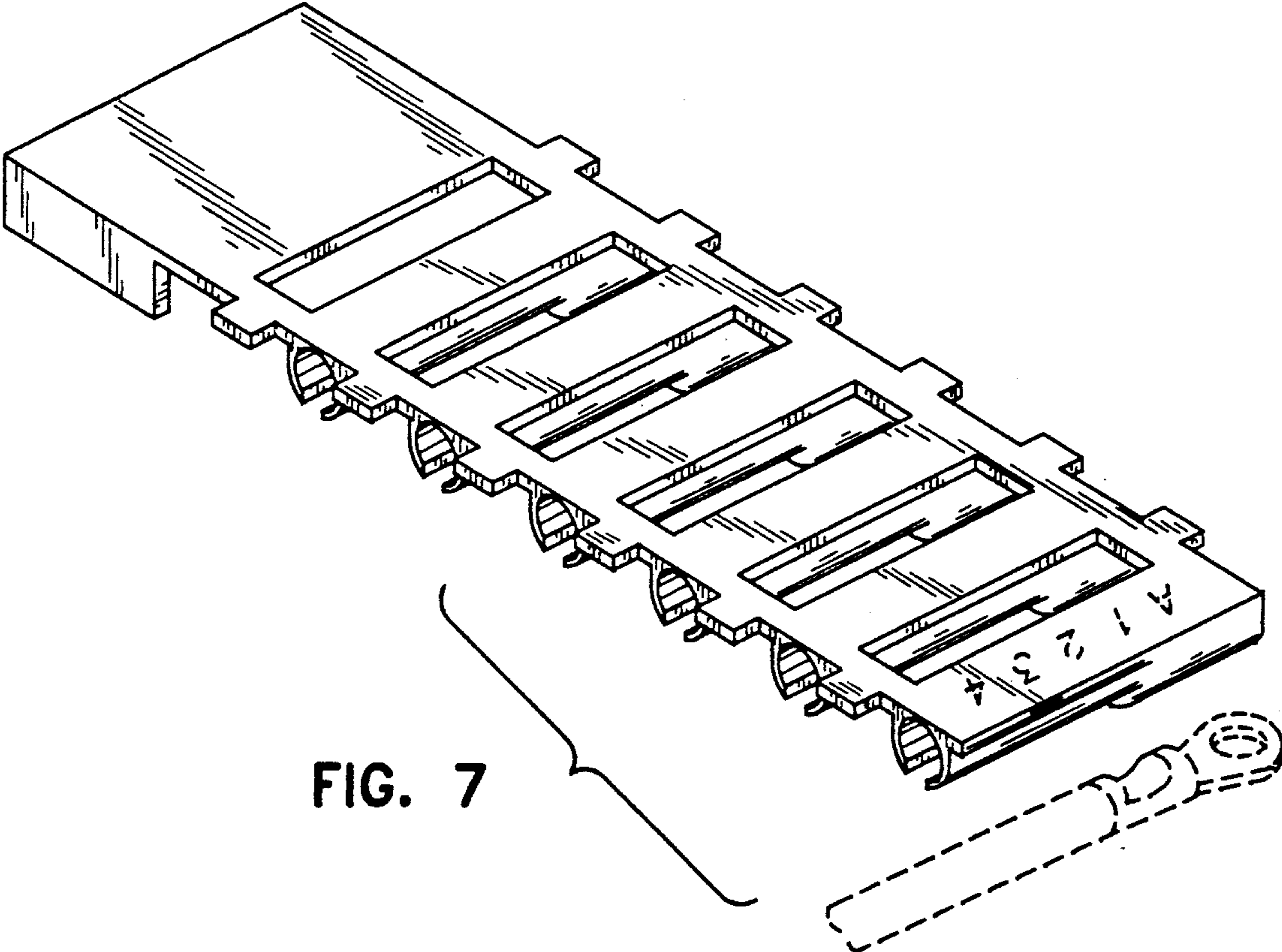


FIG. 7

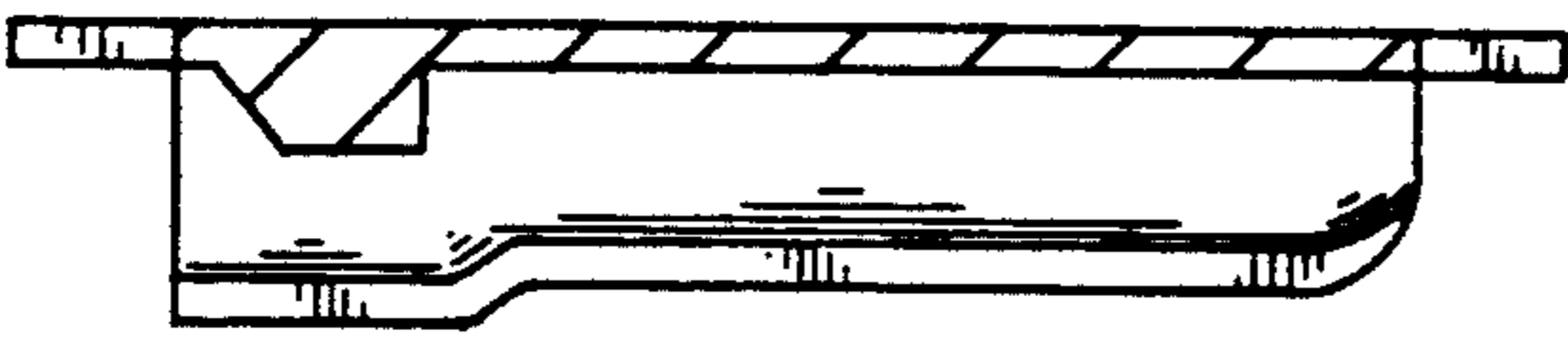


FIG. 8