



US00D336927S

United States Patent [19]

[11] Patent Number: **Des. 336,927**

Samuels et al.

[45] Date of Patent: **** Jun. 29, 1993**

[54] **FILE ORGANIZER**

[75] Inventors: **Philip M. H. Samuels**, West Midlands; **Andrew K. Wadams**, Bromsgrove, both of England

[73] Assignee: **Kalamazoo PLC**, Birmingham, England

[**] Term: **14 Years**

[21] Appl. No.: **752,332**

[22] Filed: **Aug. 30, 1991**

[52] U.S. Cl. **D19/90; D19/75; D19/86; D6/462**

[58] Field of Search **D6/462, 407, 499; D19/65, 75, 86, 90, 95, 99, 100; 211/162, 182, 184, 189; 312/184; 108/129**

[56] **References Cited**

U.S. PATENT DOCUMENTS

- D. 165,887 2/1952 Troccoli D6/462
- D. 171,557 2/1954 Remstein D6/462
- D. 223,616 5/1972 Woods D6/462
- D. 240,421 7/1976 Rose D19/90 X

- D. 241,197 8/1976 Covell et al. D19/90 X
- D. 279,440 7/1985 Evenson D19/90 X
- D. 299,037 12/1988 Klodt D19/90
- D. 330,648 11/1992 Lippert D6/462
- 4,030,610 6/1977 Alexander 211/182
- 4,176,753 12/1979 Godfrey 211/182

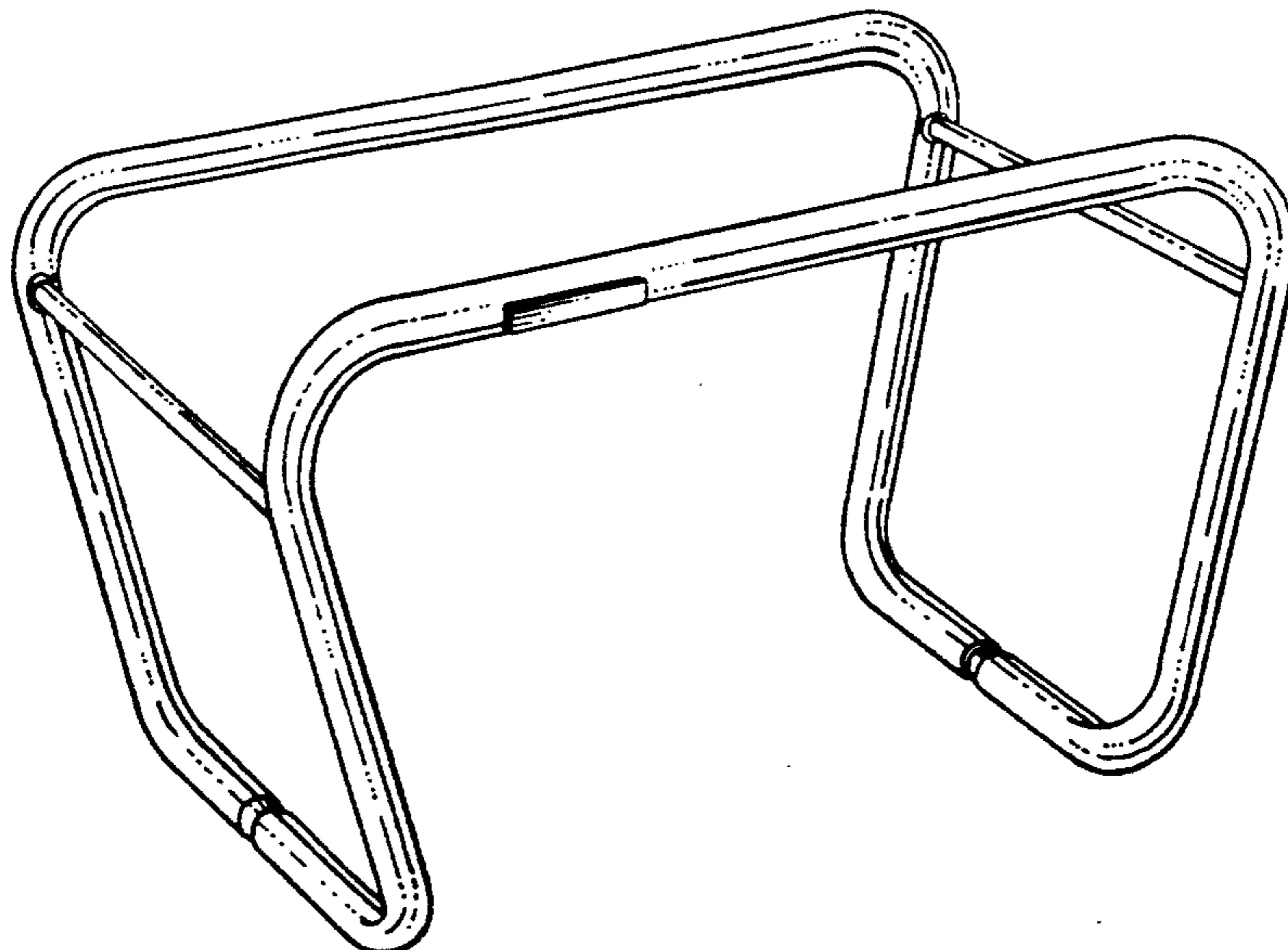
Primary Examiner—Nelson C. Holtje
Assistant Examiner—Martha Thompson
Attorney, Agent, or Firm—Christensen, O'Connor, Johnson & Kindness

[57] **CLAIM**

The ornamental design for a file organizer, as shown and described.

DESCRIPTION

FIG. 1 is a front perspective view of a file organizer showing our new design from above and one end thereof;
FIG. 2 is a front elevational view thereof;
FIG. 3 is an elevational view of the opposite end thereof;
FIG. 4 is a top plan view thereof; and,
FIG. 5 is a bottom plan view thereof.



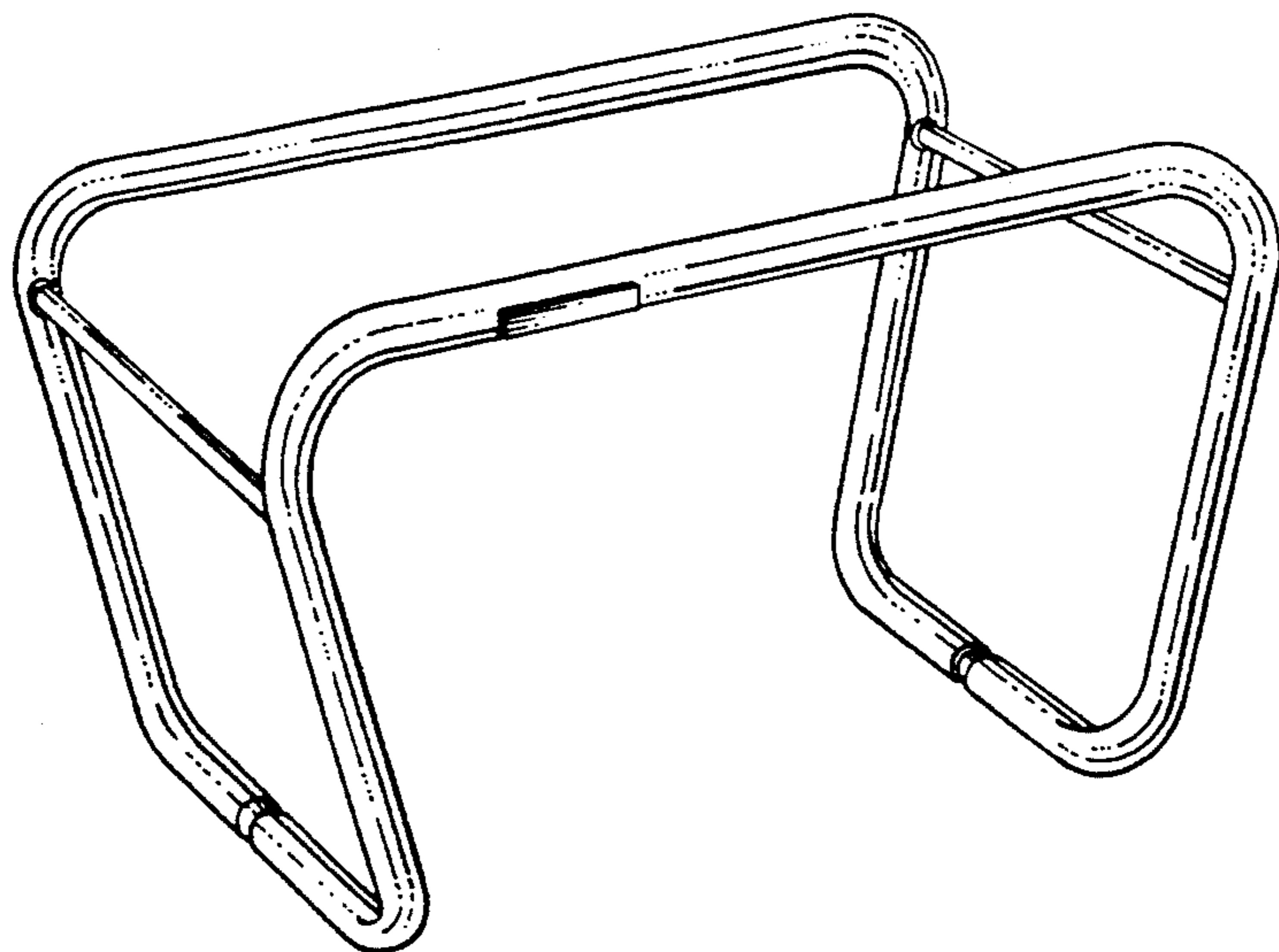


FIG. 1.

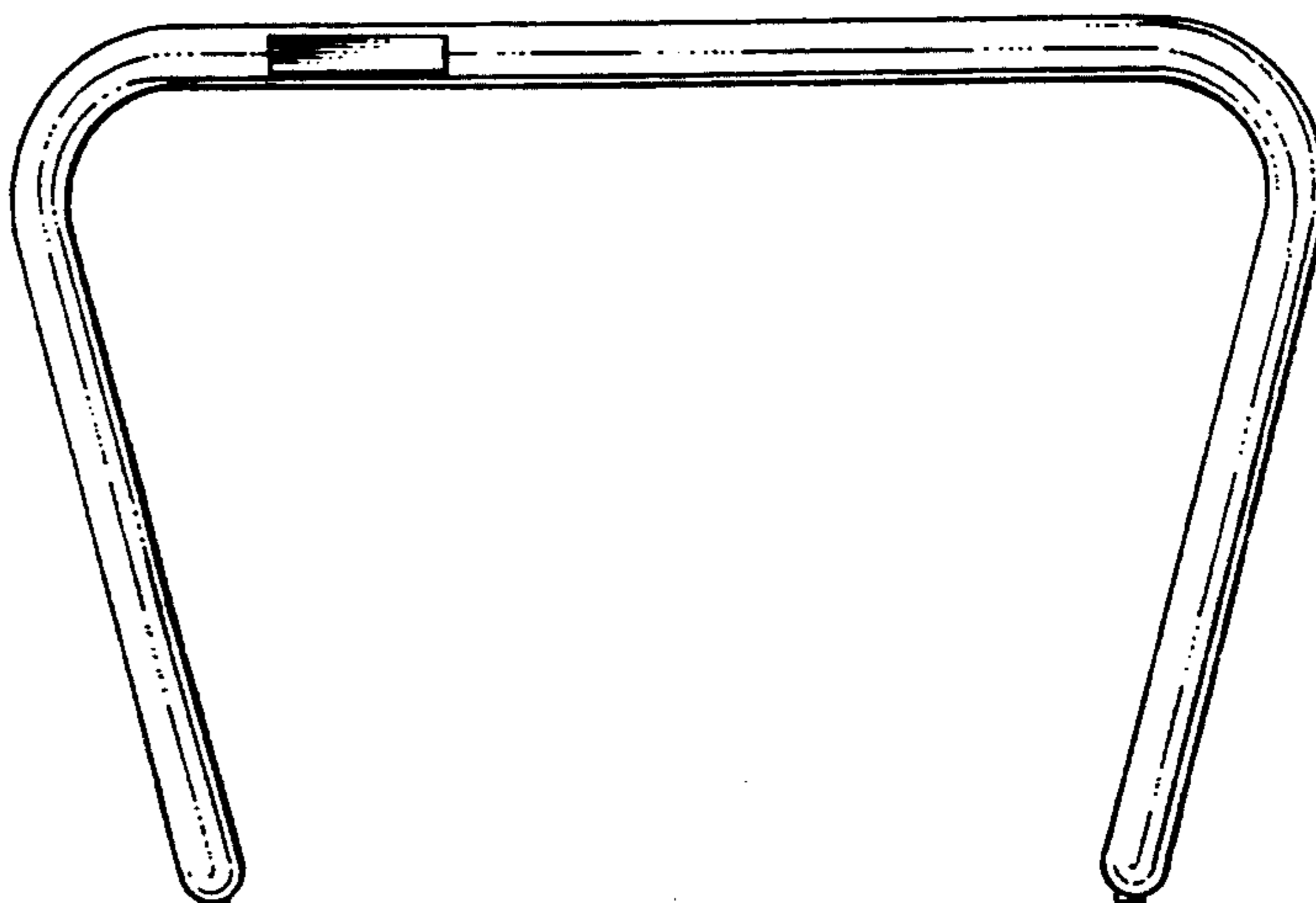


FIG. 2.

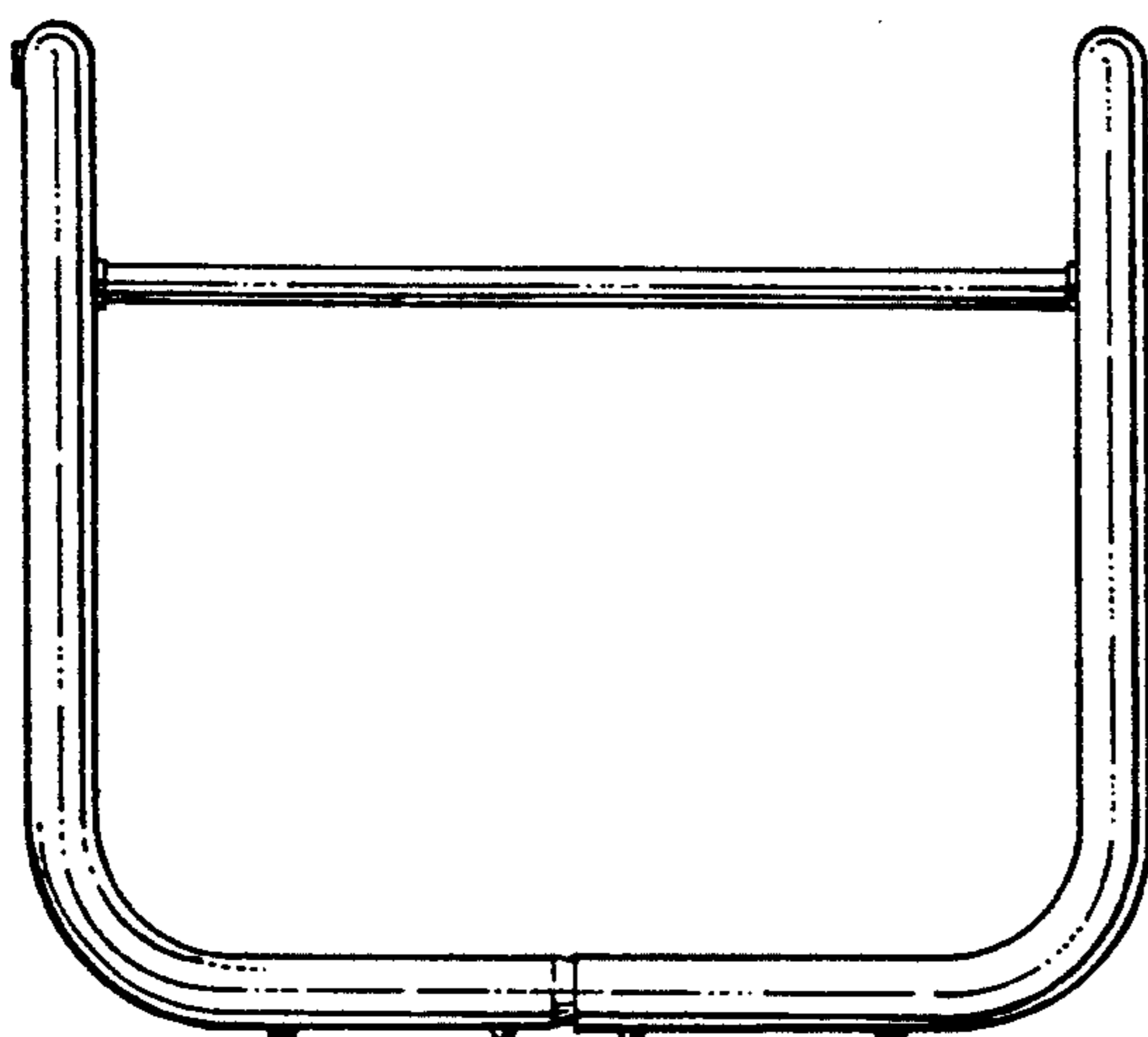


FIG. 3.

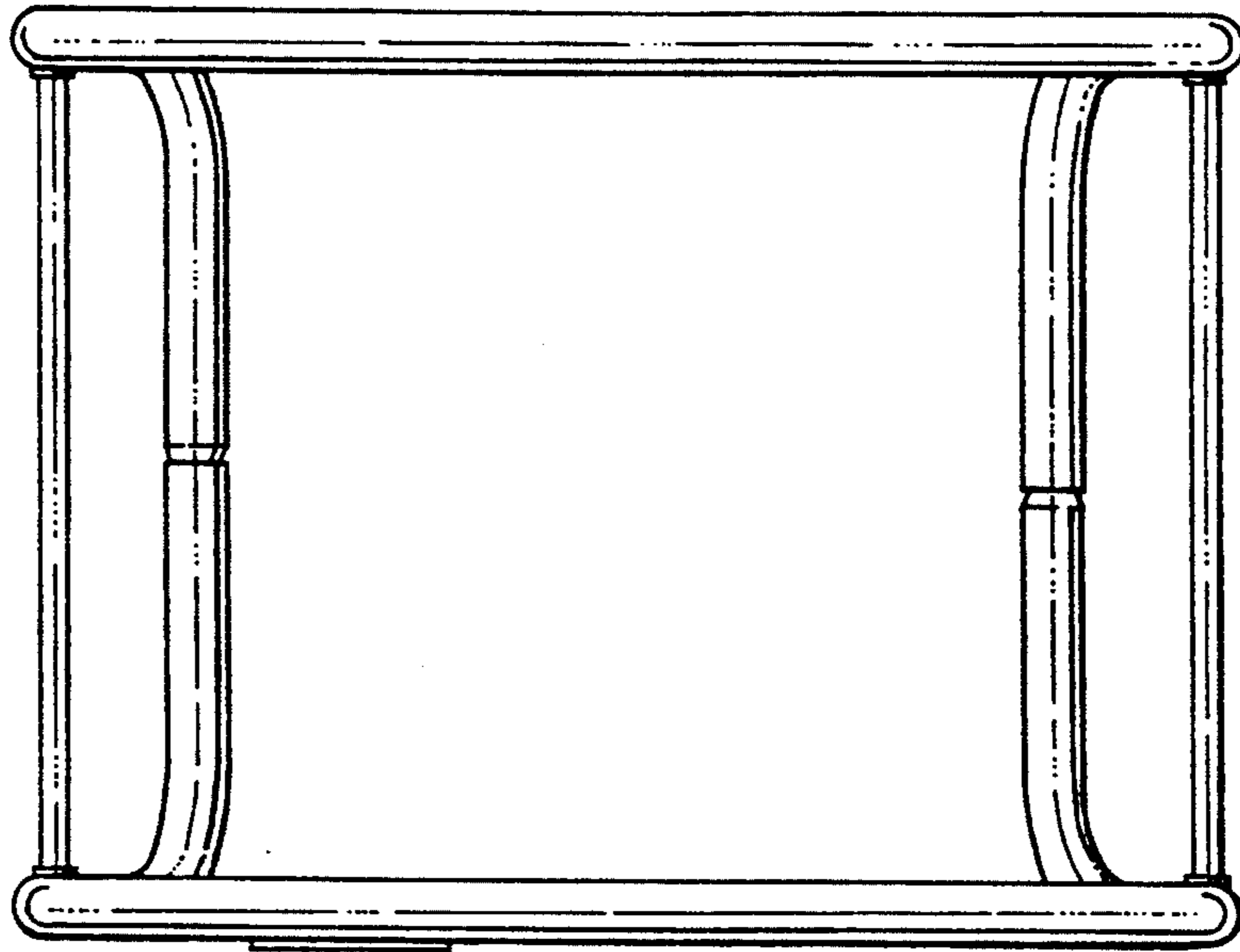


FIG. 4.

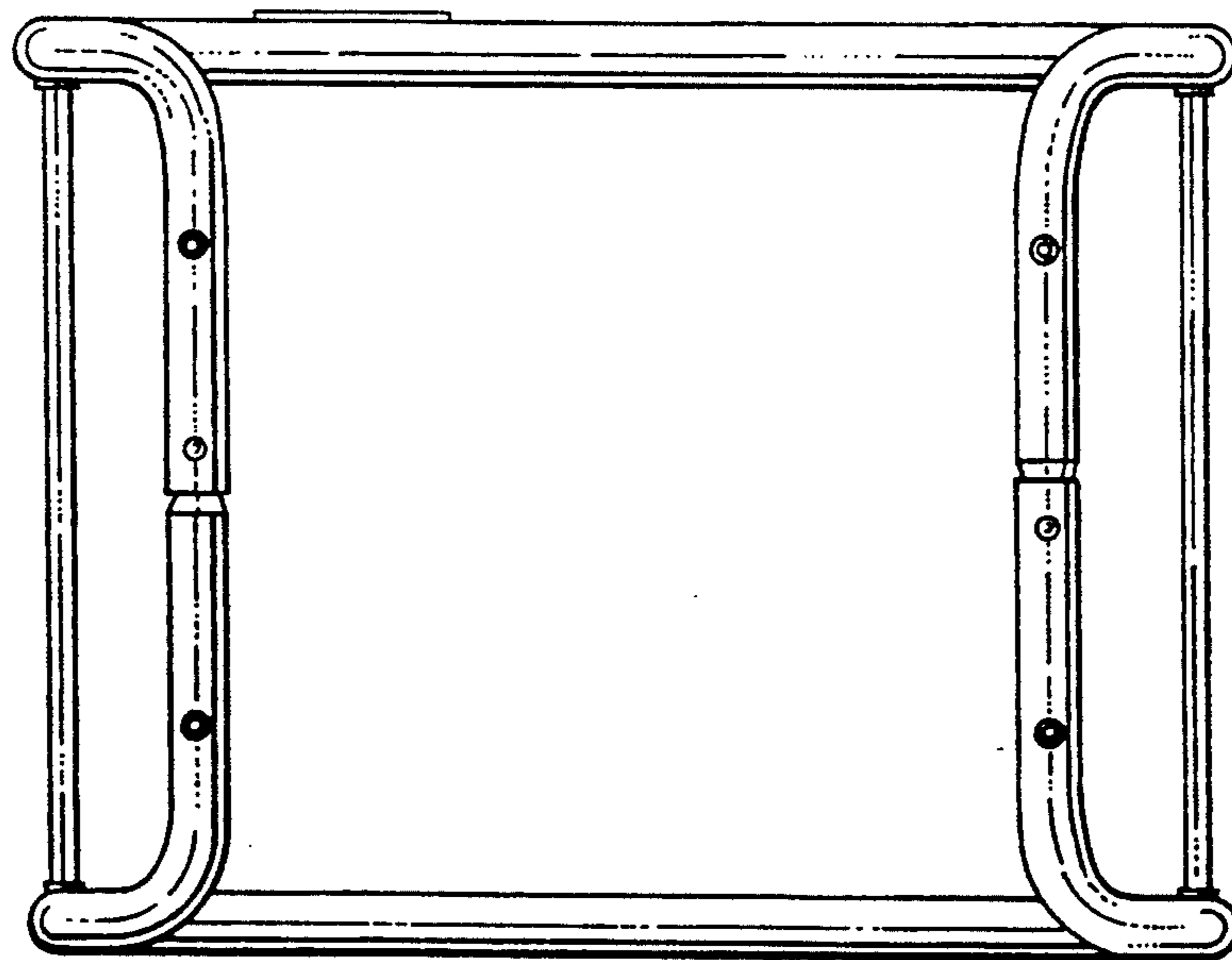


FIG. 5.