



US00D336926S

# United States Patent [19]

[11] Patent Number: **Des. 336,926**

**Brüssing**

[45] Date of Patent: **\*\* Jun. 29, 1993**

[54] **DESK SET**

[75] Inventor: **Bernd Brüssing, Ulm, Fed. Rep. of Germany**

[73] Assignee: **Hans Friedrich Hefendehl, Kierspe, Fed. Rep. of Germany**

[\*\*] Term: **14 Years**

[21] Appl. No.: **797,802**

[22] Filed: **Nov. 22, 1991**

[30] **Foreign Application Priority Data**

Jun. 4, 1991 [DE] Fed. Rep. of Germany ..... M 91 04 022.1

[52] U.S. Cl. .... **D19/75; D19/77; D19/78; D19/86; D19/84; D19/69**

[58] Field of Search ..... **D19/65, 67-69, D19/75, 76, 77, 78, 81-85, 86, 89, 90, 91, 92, 93, 95, 99, 100; 206/214, 224, 371, 555; 211/10, 11, 42, 45, 50, 69.1-69.9**

[56] **References Cited**

**U.S. PATENT DOCUMENTS**

- D. 86,825 4/1932 Brauch ..... D19/84 X
- D. 104,067 4/1937 Lewis ..... D19/75
- D. 259,123 5/1981 Macowski ..... D19/75
- D. 260,906 9/1981 Grusing ..... D19/78 X
- D. 266,675 10/1982 Polhemus et al. .... D19/69 X

- D. 288,827 3/1987 Wolff ..... D19/69 X
- D. 305,246 12/1989 Kirchhoff et al. .... D19/75
- D. 323,532 1/1992 Evenson ..... D19/75
- D. 327,092 6/1992 Evenson ..... D19/75
- 4,176,743 12/1979 Fitzpatrick ..... D19/75 X
- 4,570,793 2/1986 O'Neil et al. .... 206/371

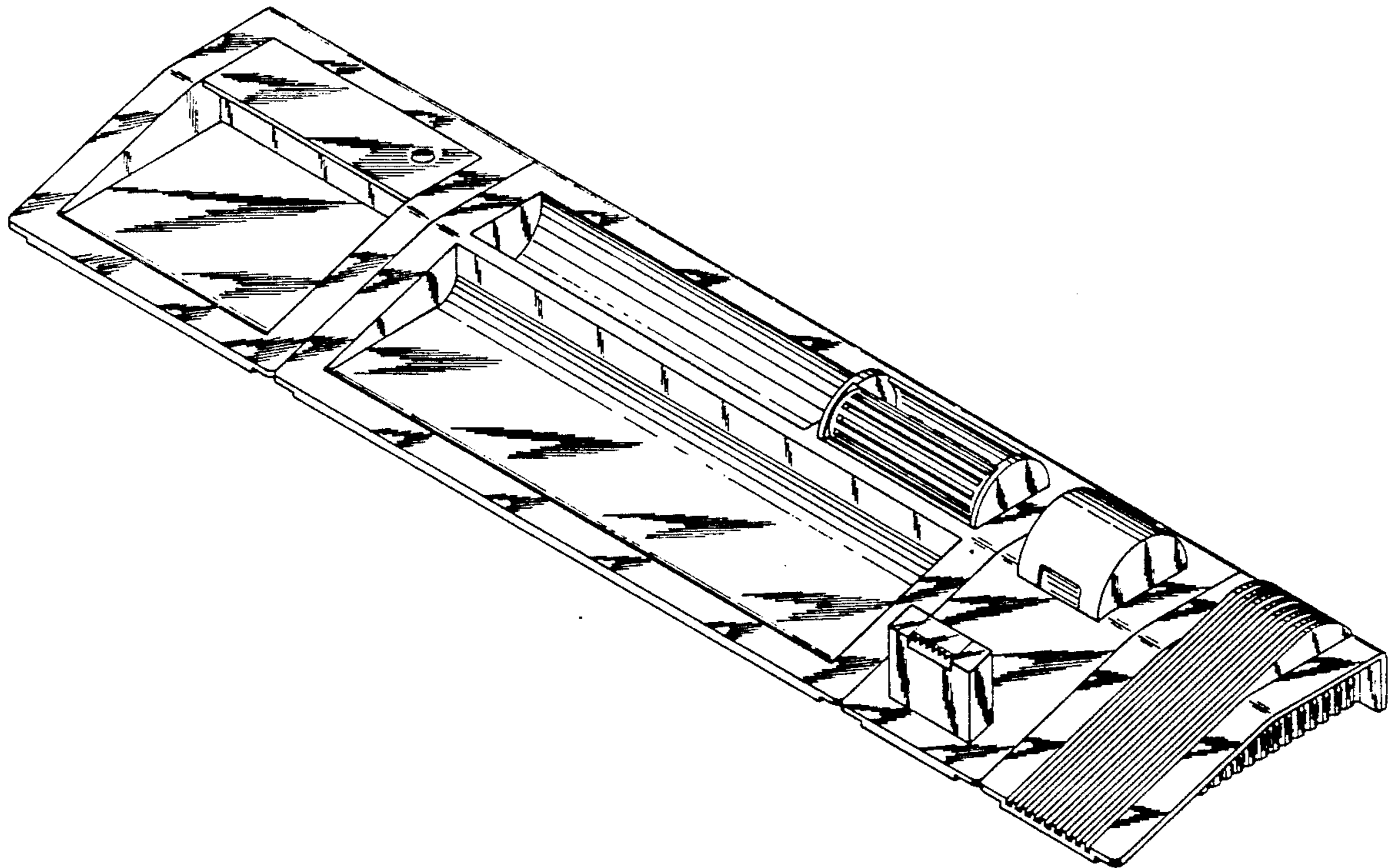
*Primary Examiner*—Nelson C. Holtje  
*Assistant Examiner*—Martha Thompson  
*Attorney, Agent, or Firm*—Herbert Dubno; Ronald Lianides

[57] **CLAIM**

The ornamental design for a desk set, as shown and described.

**DESCRIPTION**

FIG. 1 is a perspective view showing the front, top and right side of a desk set embodying my new design; FIG. 2 is a left-side elevational view thereof; FIG. 3 is a rear elevational view thereof; FIG. 4 is a bottom plan view thereof; FIG. 5 is a top, right front perspective view of a second embodiment of my new design; FIG. 6 is a top, right front perspective view of a third embodiment of my new design; and, FIG. 7 is a top, right front perspective view of a fourth embodiment of my new design. The left side, rear and bottom views of the embodiments of FIGS. 5, 6, and 7 are identical to FIGS. 2, 3, and 4 with the exception of the vertical element holder.



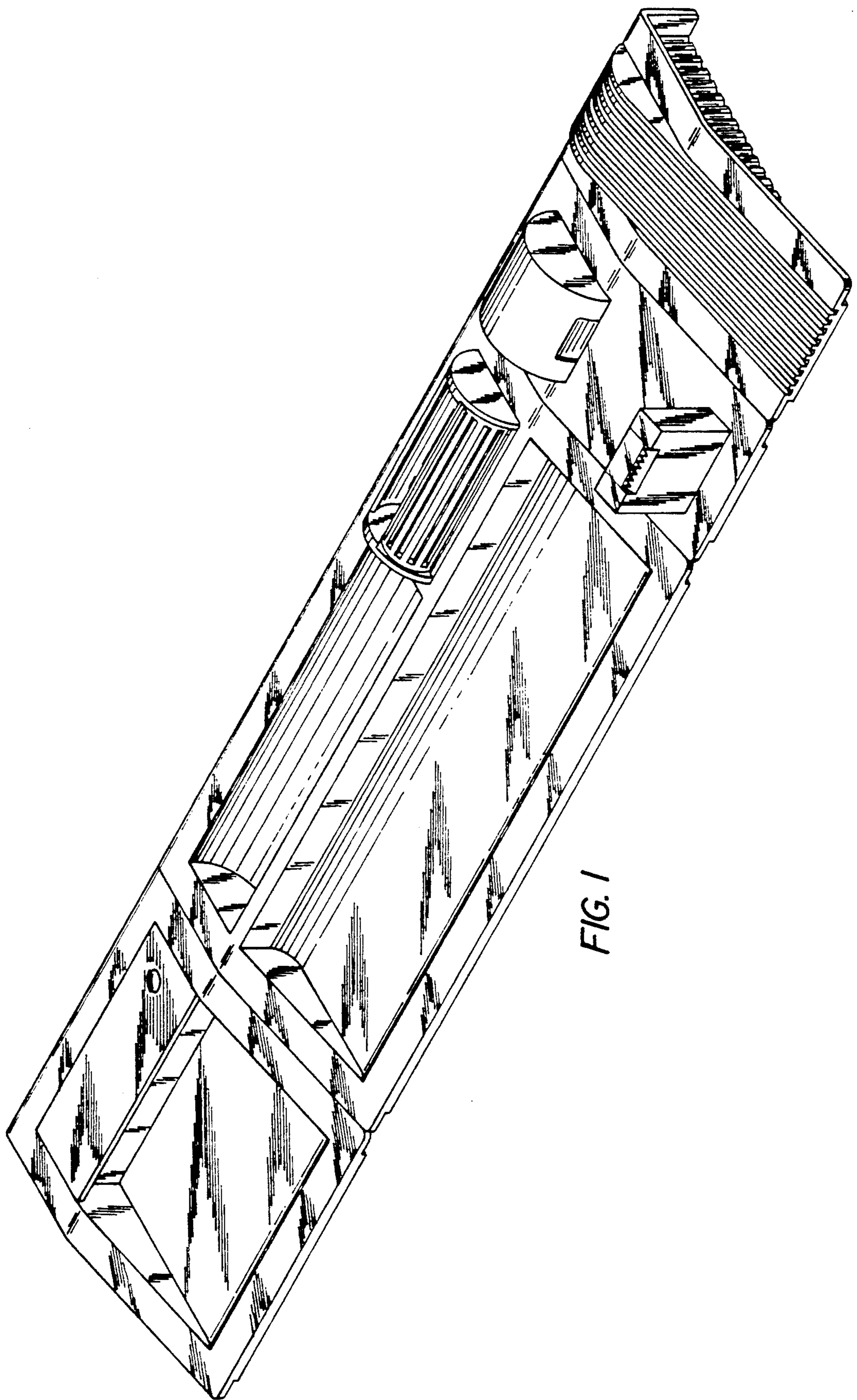


FIG. 1

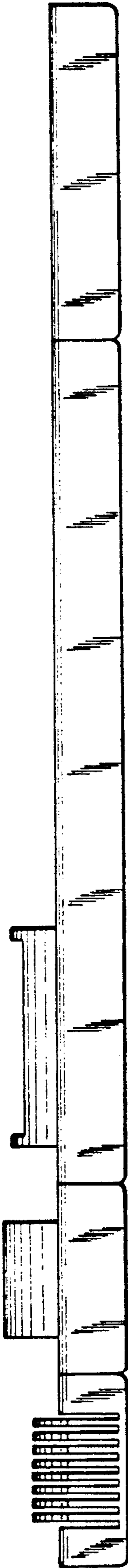


FIG. 3

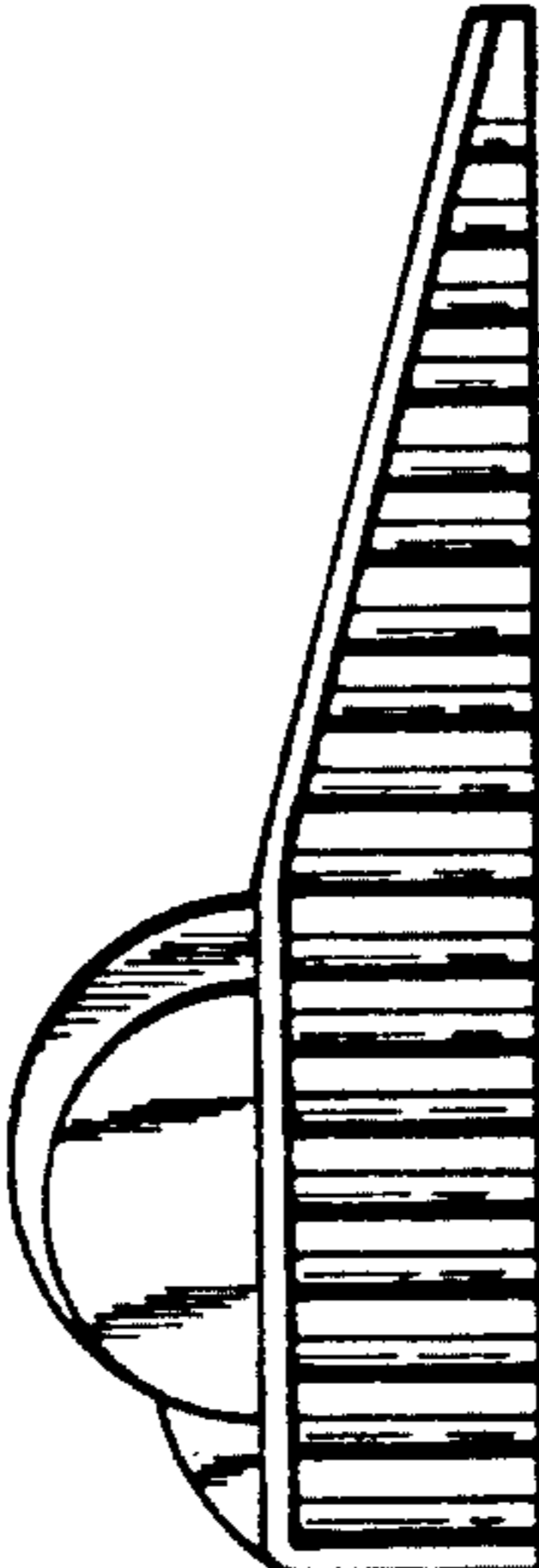


FIG. 2

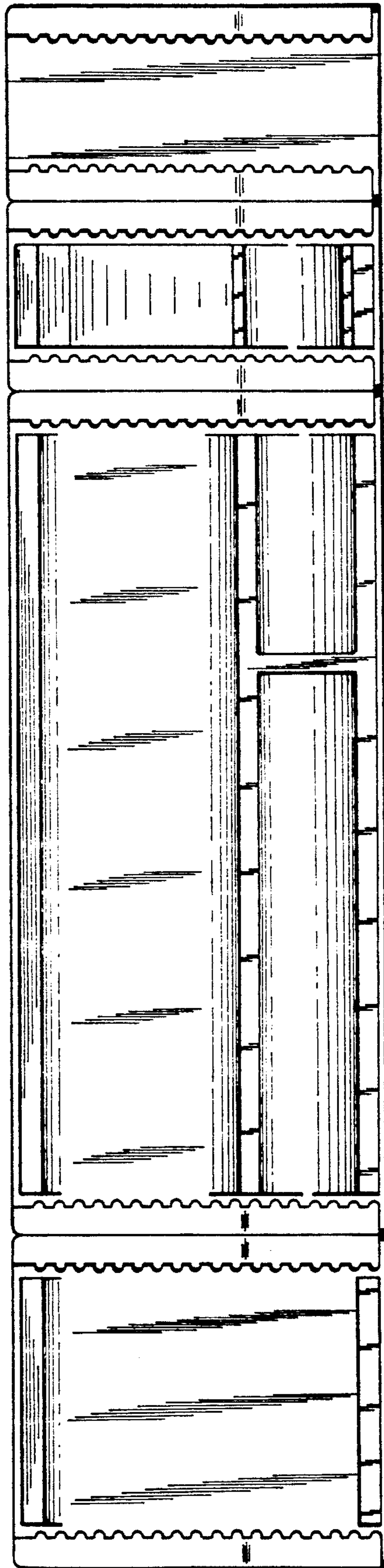


FIG. 4

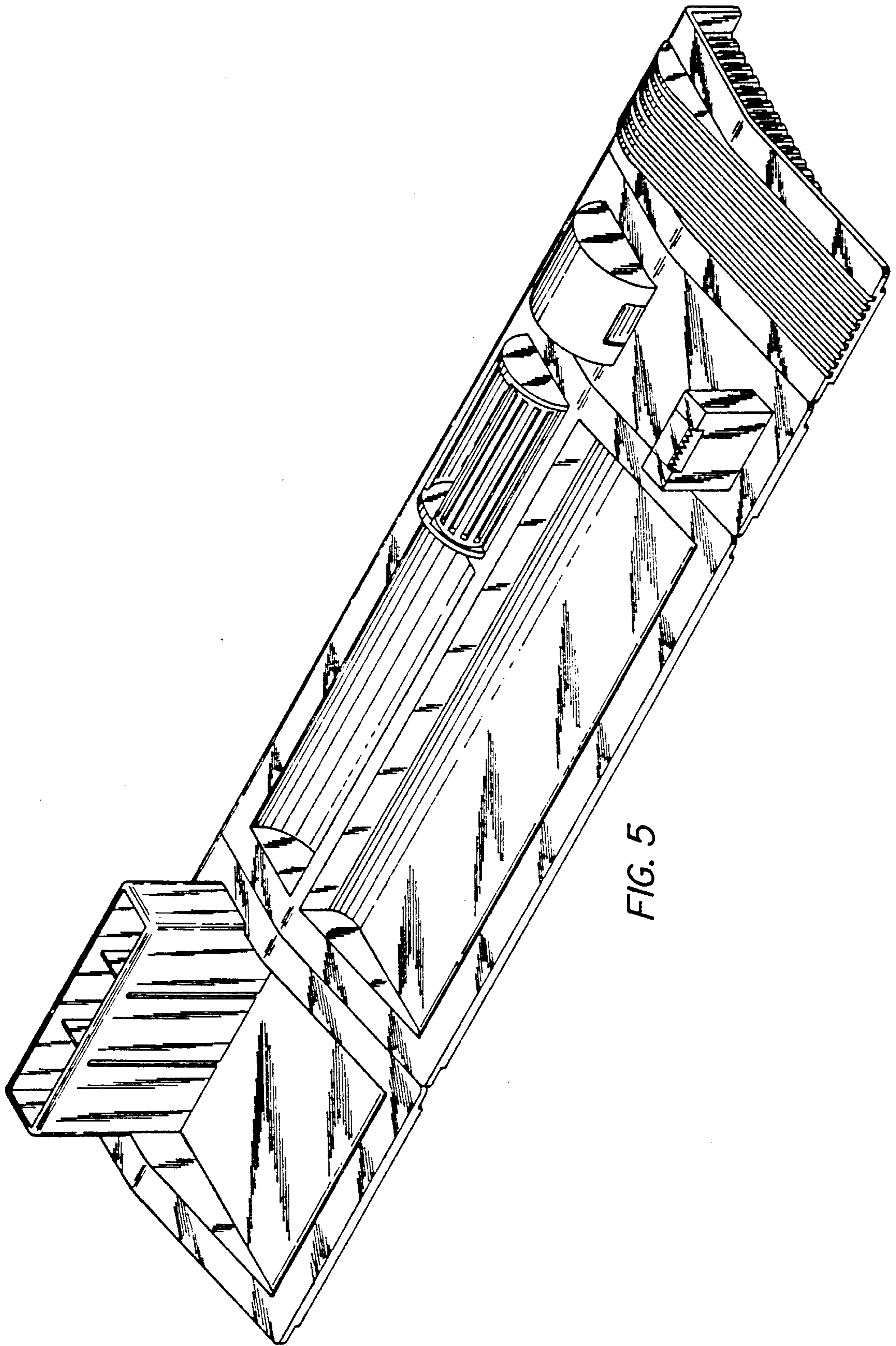


FIG. 5

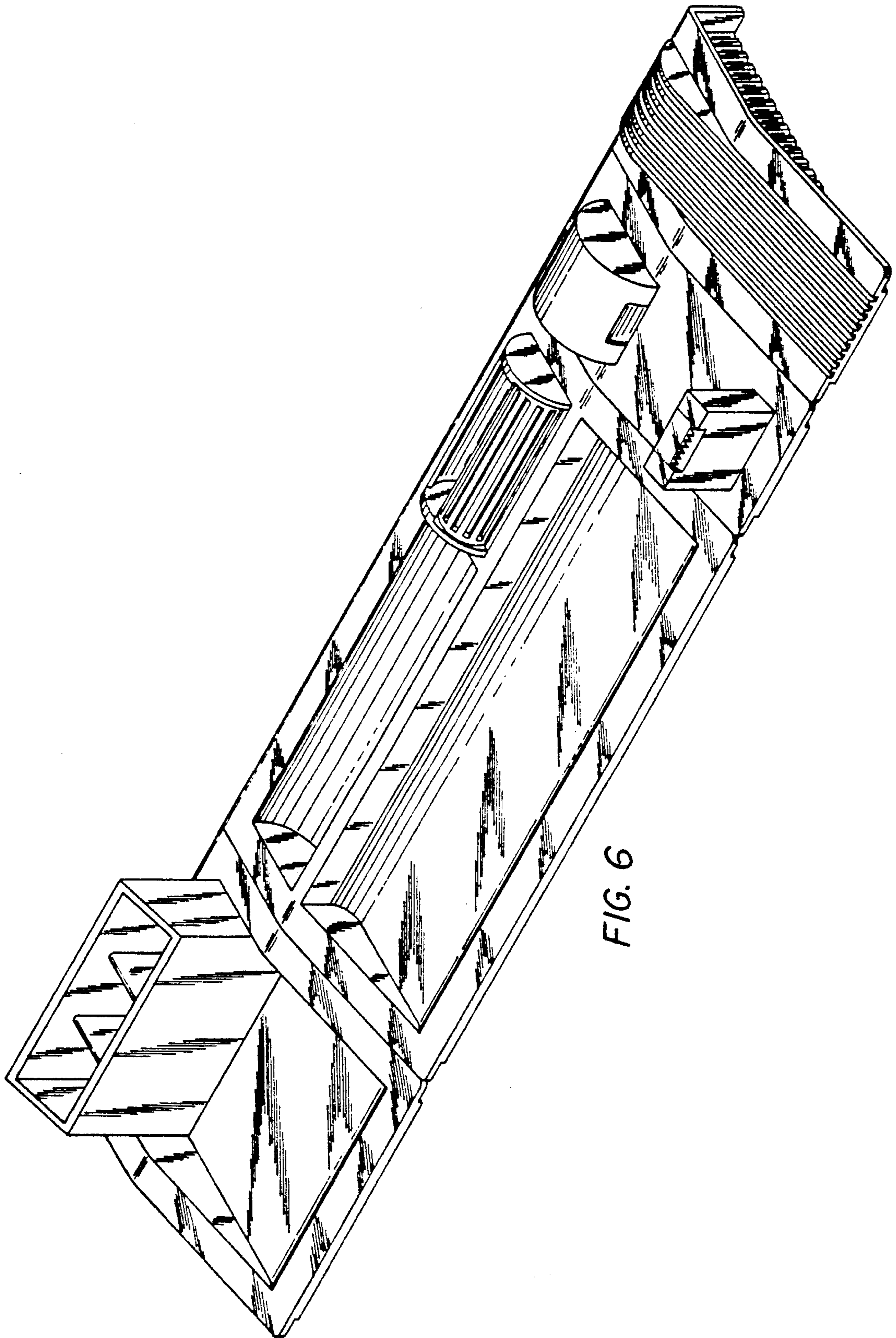


FIG. 6

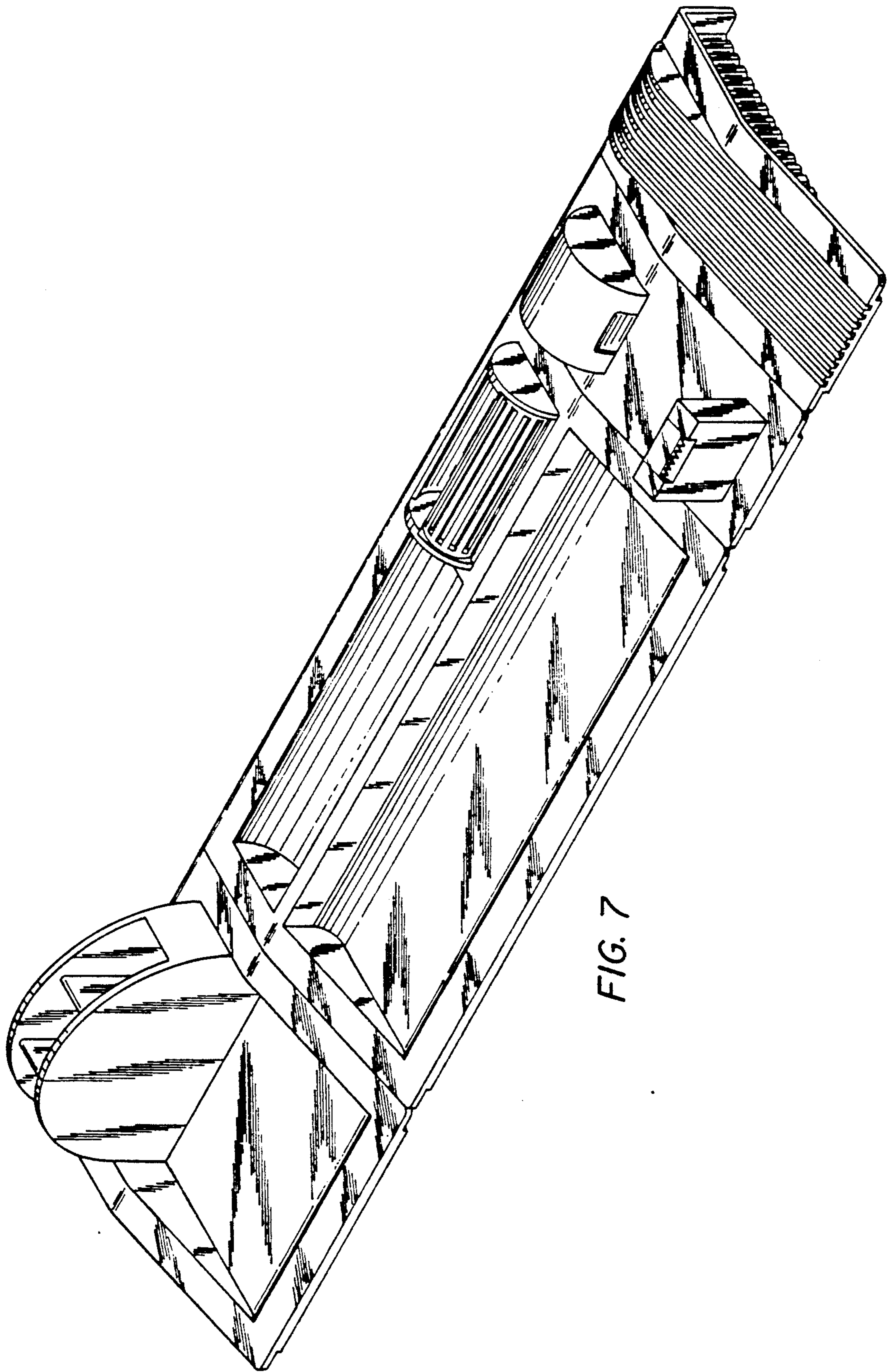


FIG. 7