



US00D336925S

United States Patent [19]

[11] Patent Number: **Des. 336,925**

Foley

[45] Date of Patent: **** Jun. 29, 1993**

[54] **PHOTOGRAPH STORAGE AND DISPLAY CONTAINER**

D. 307,075	4/1990	Pollack	D3/35
D. 308,700	6/1990	Leszczak et al.	D19/75 X
D. 327,980	7/1992	Egly	D3/35
4,239,307	12/1980	Schweizer	.	

[75] Inventor: **Thomas W. Foley**, Minneapolis, Minn.

Primary Examiner—Nelson C. Holtje
Assistant Examiner—Martha Thompson
Attorney, Agent, or Firm—Vidas, Arrett & Steinkraus

[73] Assignee: **Fotoshow**, Minneapolis, Minn.

[**] Term: **14 Years**

[57] **CLAIM**

[21] Appl. No.: **792,743**

The ornamental design for a photograph storage and display container, as shown and described.

[22] Filed: **Nov. 15, 1991**

[52] U.S. Cl. **D19/75; D3/35; D19/90**

DESCRIPTION

[58] **Field of Search** D3/30.1, 35; D19/65, D19/75, 76, 78, 86, 90, 91, 99, 100; 206/425, 444, 503; D16/237, 250; 211/10, 11, 13, 45, 50, 51, 55; 312/183, 13; 40/1

FIG. 1 is a top, left front perspective view of a photograph storage and display container showing my new design;

FIG. 2 is a right elevational view thereof;

FIG. 3 is a left elevational view thereof;

FIG. 4 is a front elevational view thereof;

FIG. 5 is a rear elevational view thereof;

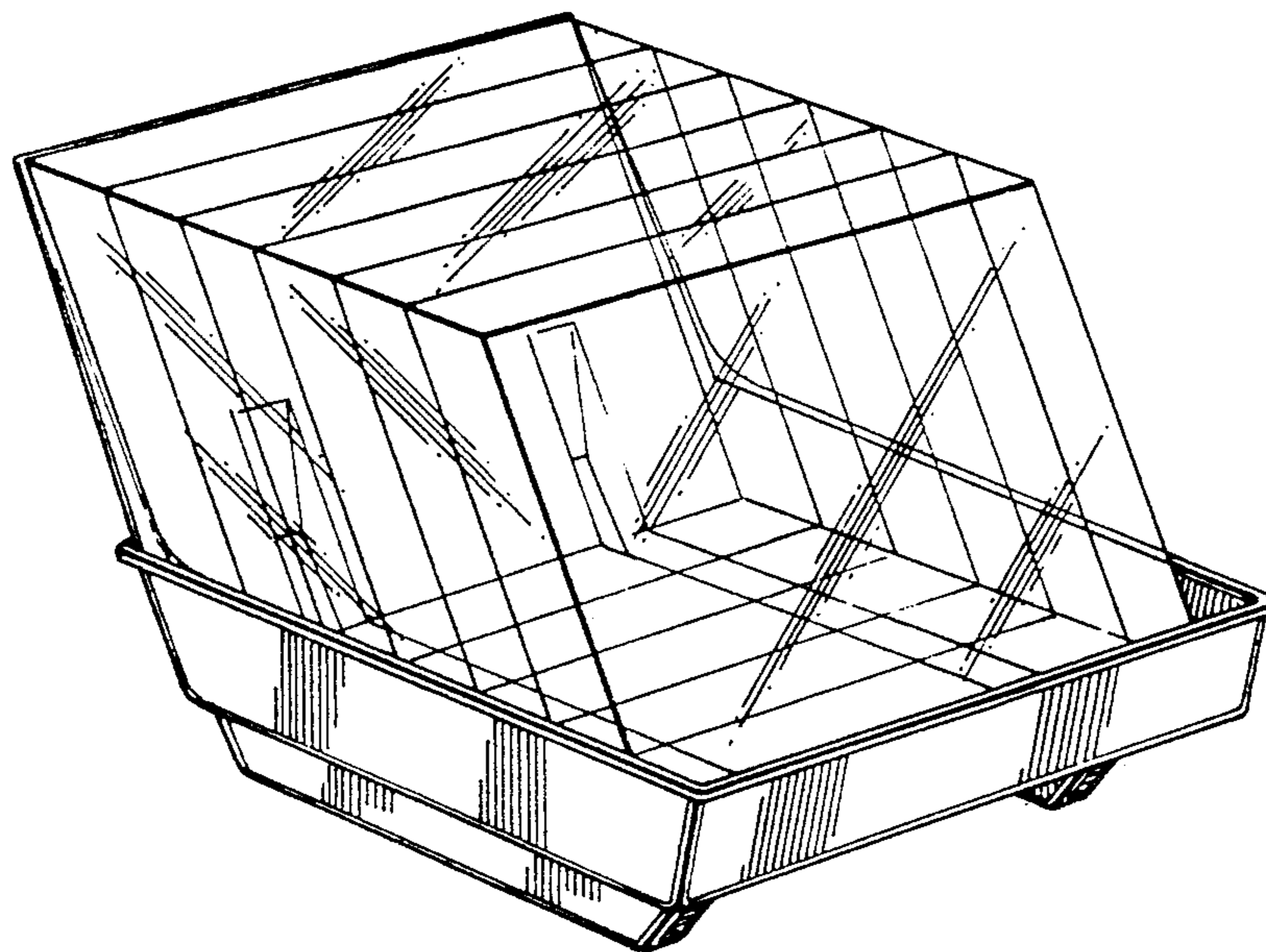
FIG. 6 is a top plan view thereof; and,

FIG. 7 is a bottom plan view thereof.

[56] **References Cited**

U.S. PATENT DOCUMENTS

D. 250,960	1/1979	Bitner, Jr. et al.	D19/90
D. 296,154	6/1988	Egly	D3/74 X



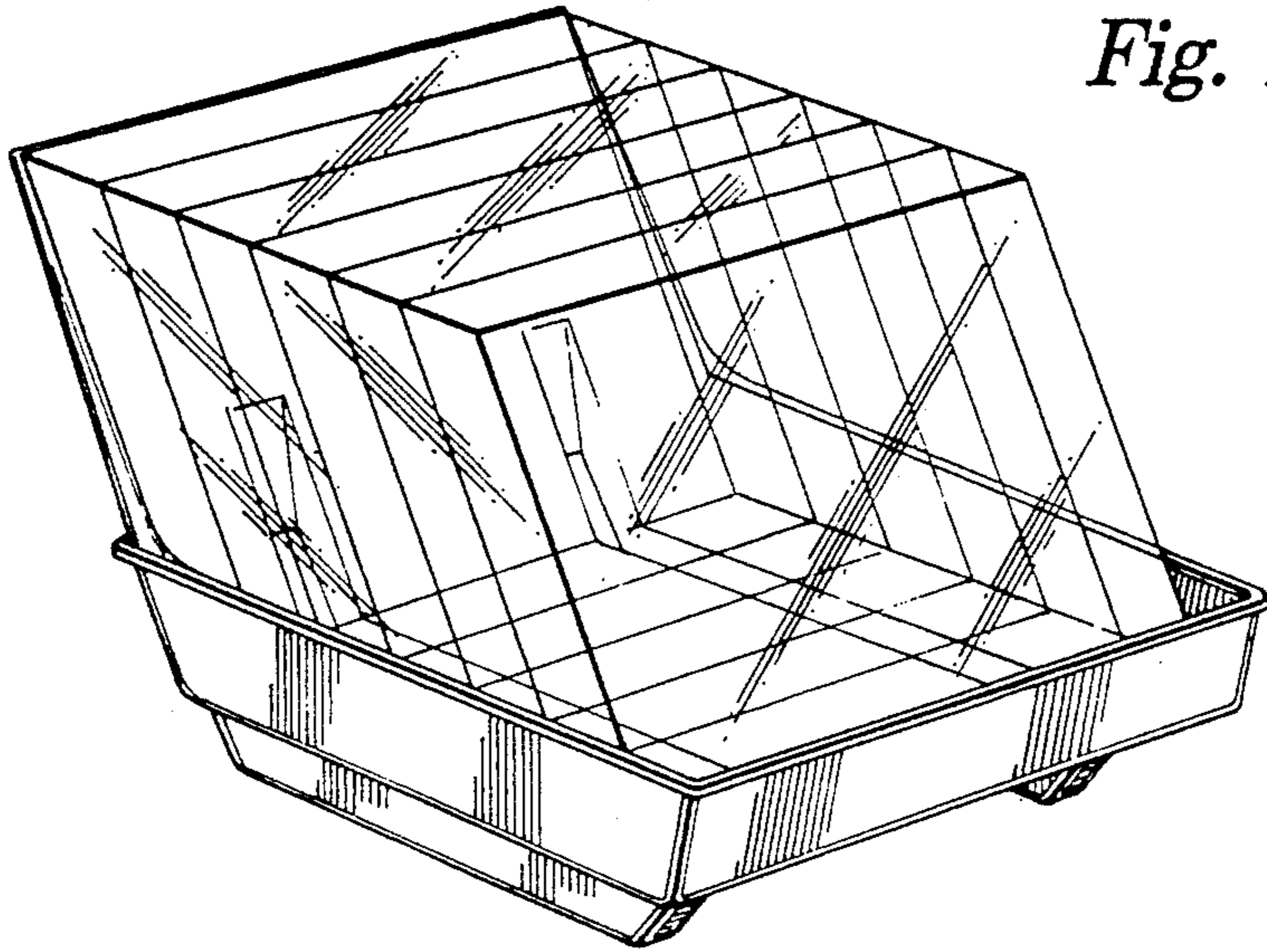


Fig. 1

Fig. 2

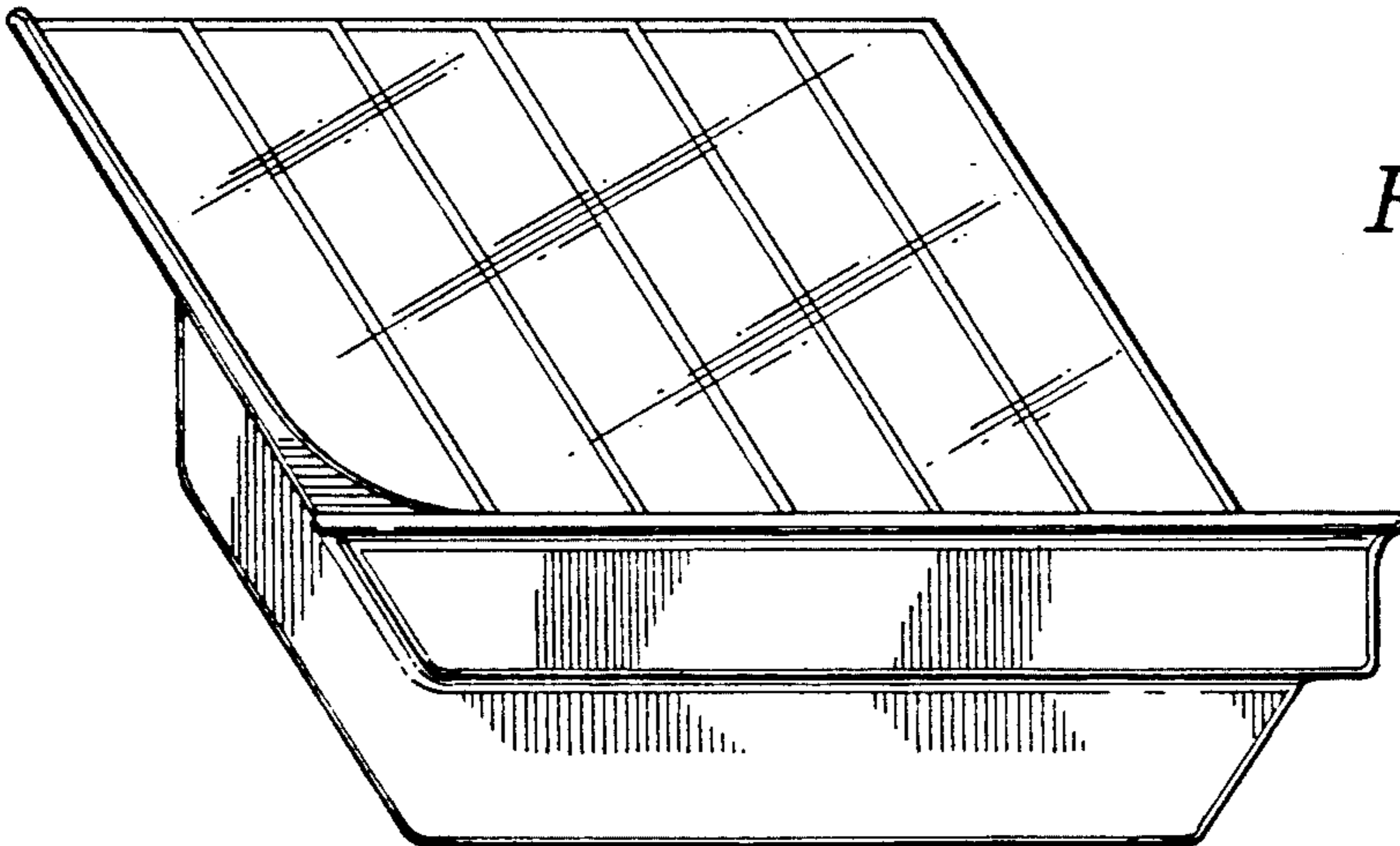
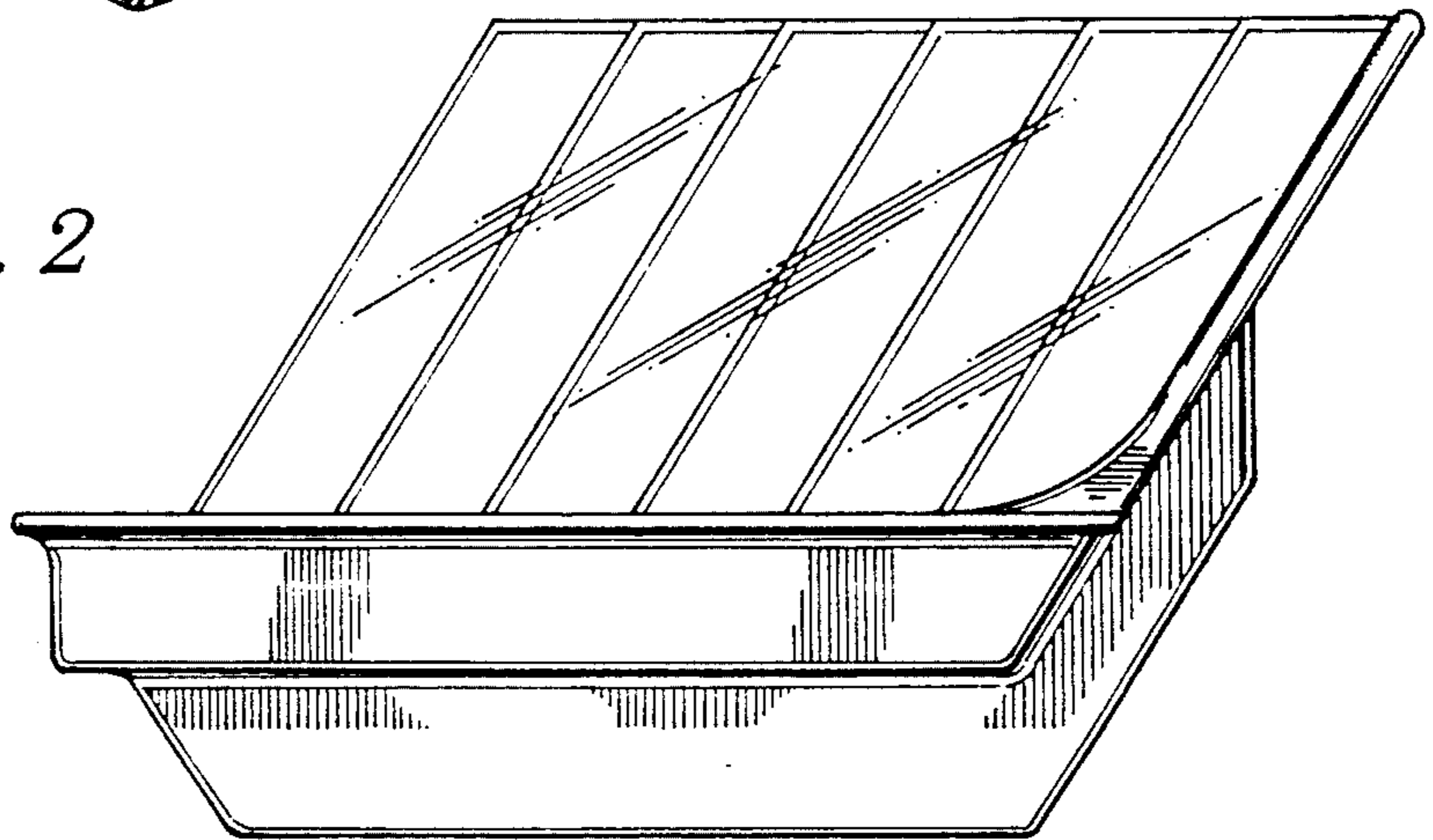


Fig. 3

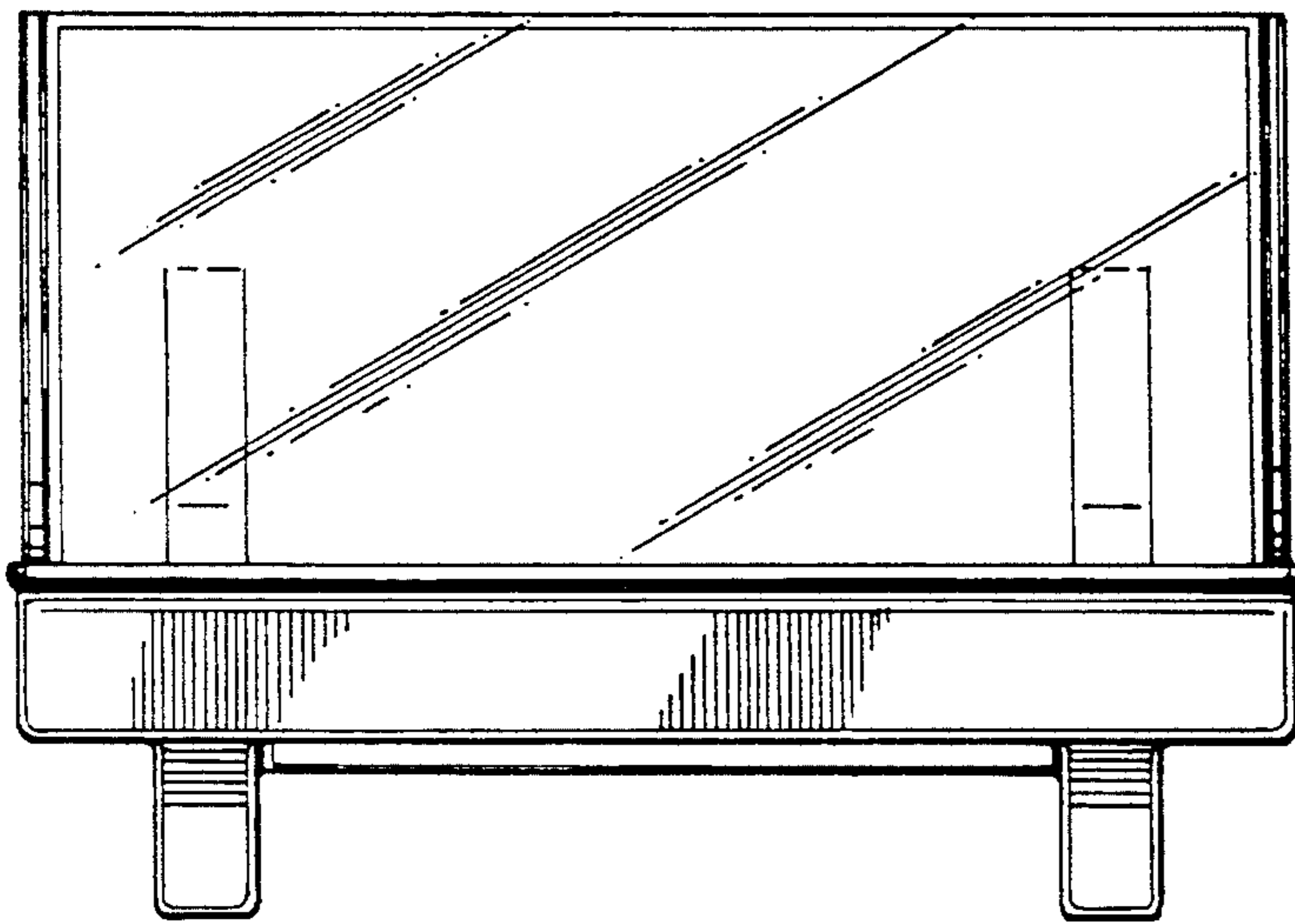


Fig. 4

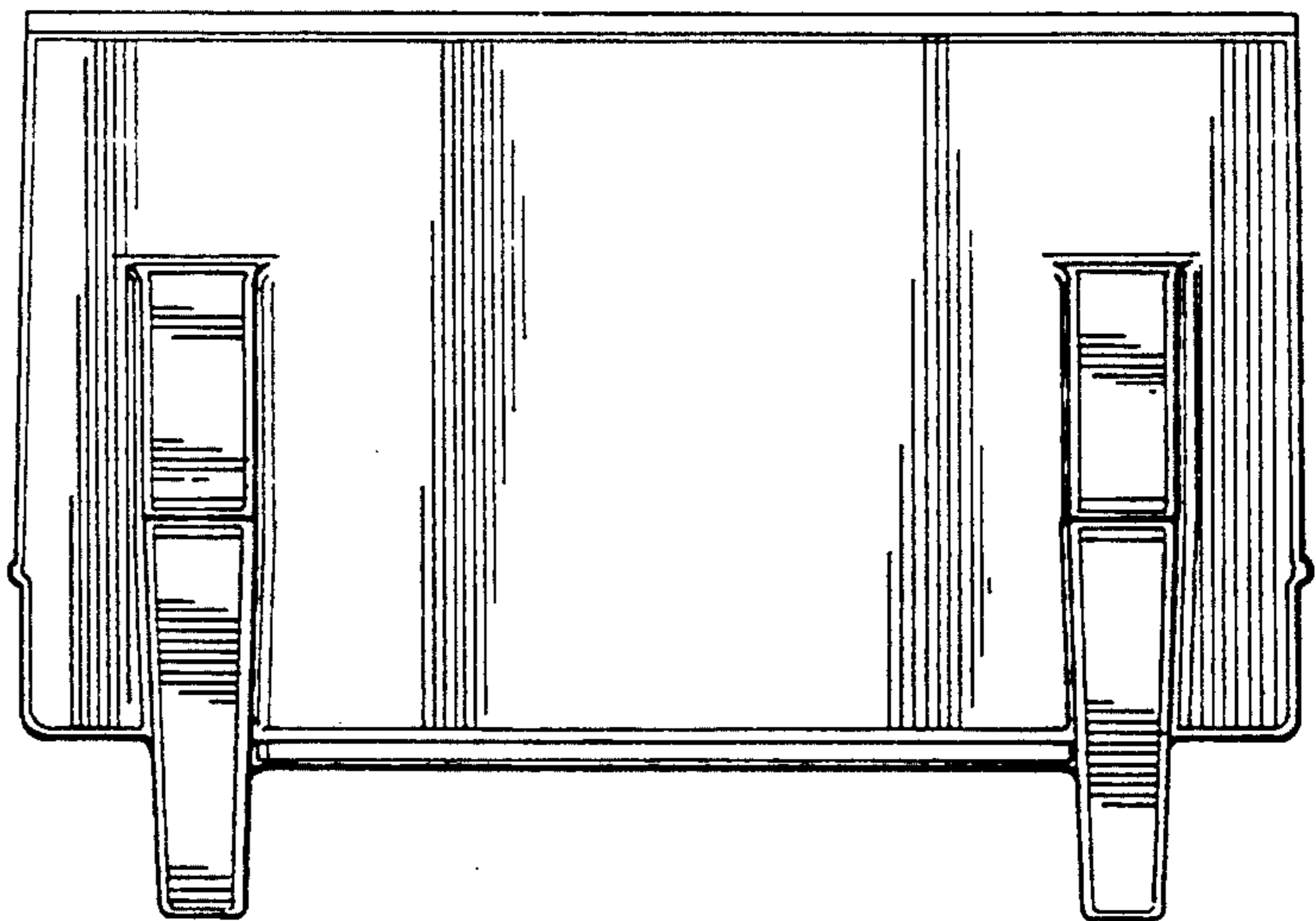


Fig. 5

Fig. 7

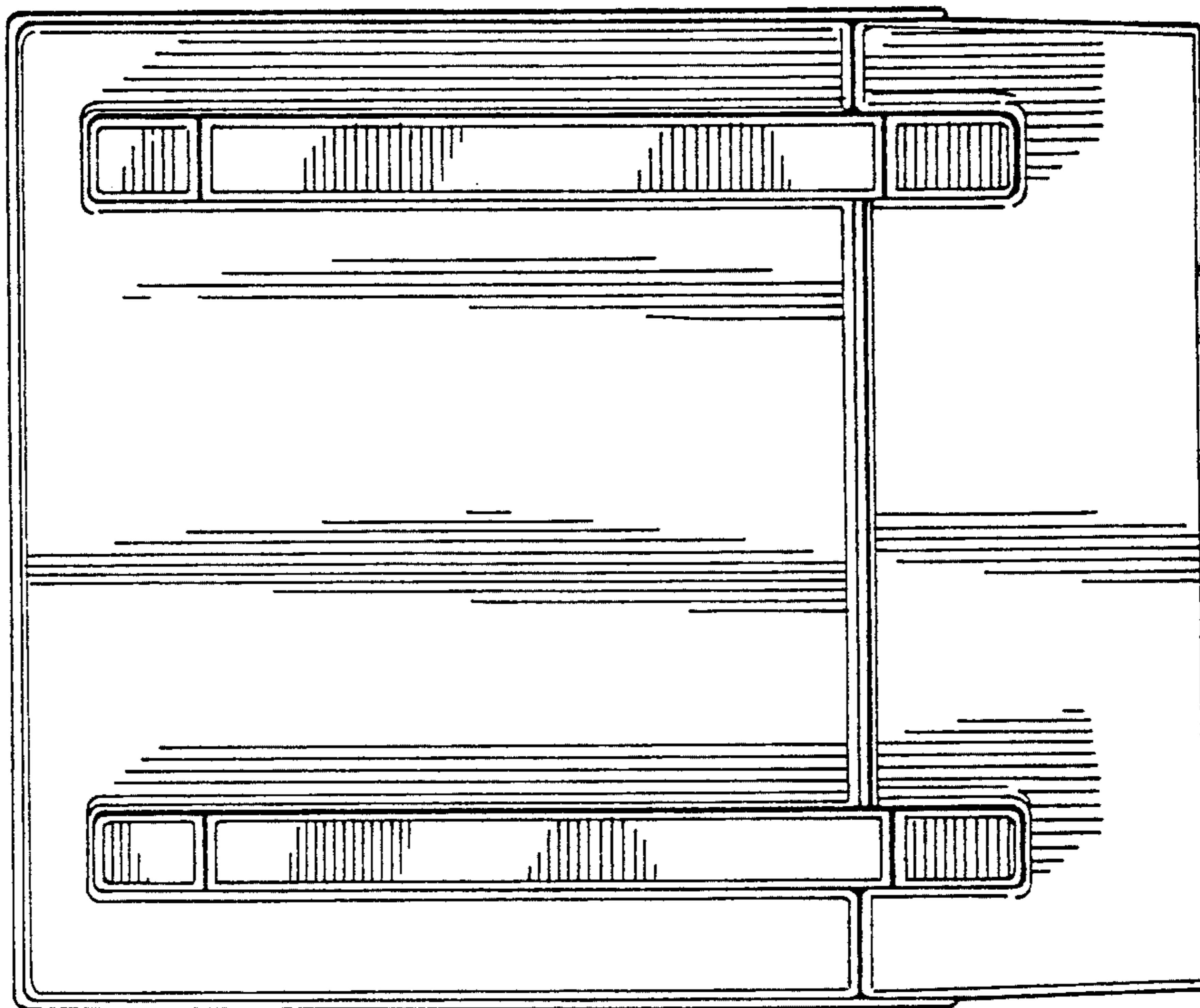


Fig. 6

