



US00D336924S

# United States Patent [19]

[11] Patent Number: **Des. 336,924**

Heiser et al.

[45] Date of Patent: **\*\* Jun. 29, 1993**

[54] **SIGNAL INDICATOR FOR EDUCATIONAL USE**

D. 225,643	12/1972	Harrison	.....	D19/60
D. 289,179	4/1987	Musgrave	.....	D19/59
D. 294,714	3/1988	Johnson	.....	D19/59
D. 314,214	1/1991	Perdue	.....	D19/59
D. 321,010	10/1991	Healy	.....	D19/59

[76] Inventors: **Margaret M. Heiser**, 2972 Elm Tree Ct., Spring Valley, Calif. 92087;  
**Sandra J. Terrell**, 3432 Trophy, La Mesa, Calif. 91941

*Primary Examiner*—Wallace R. Burke  
*Assistant Examiner*—Melody Brown  
*Attorney, Agent, or Firm*—Joseph P. Nigon

[\*\*] Term: **14 Years**

[57] **CLAIM**

[21] Appl. No.: **683,751**

The ornamental design for a signal indicator for educational use, as shown.

[22] Filed: **Apr. 10, 1991**

**DESCRIPTION**

[52] U.S. Cl. .... **D19/60; D10/116**

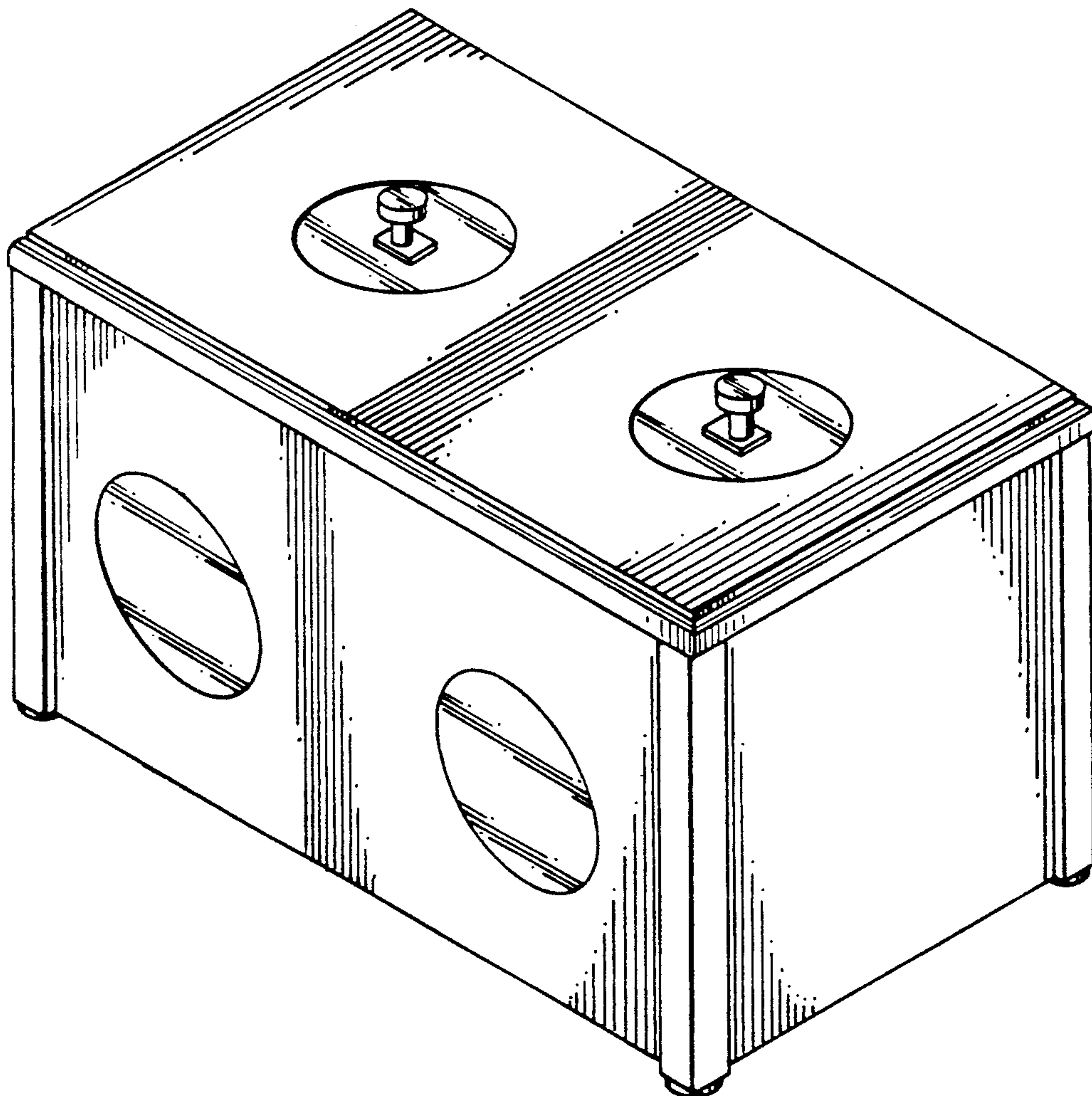
[58] Field of Search ..... **D19/60, 59; 434/208, 434/167, 171, 172, 327, 322; 273/141 R; D10/116**

FIG. 1 is a perspective view of the signal indicator for educational use showing our new design; FIG. 2 is a front elevation view thereof; FIG. 3 is a top plan view thereof; FIG. 4 is a right side elevation view thereof the left side being a mirror image of that shown; FIG. 5 is a rear elevation view thereof; and, FIG. 6 is a bottom plan view thereof.

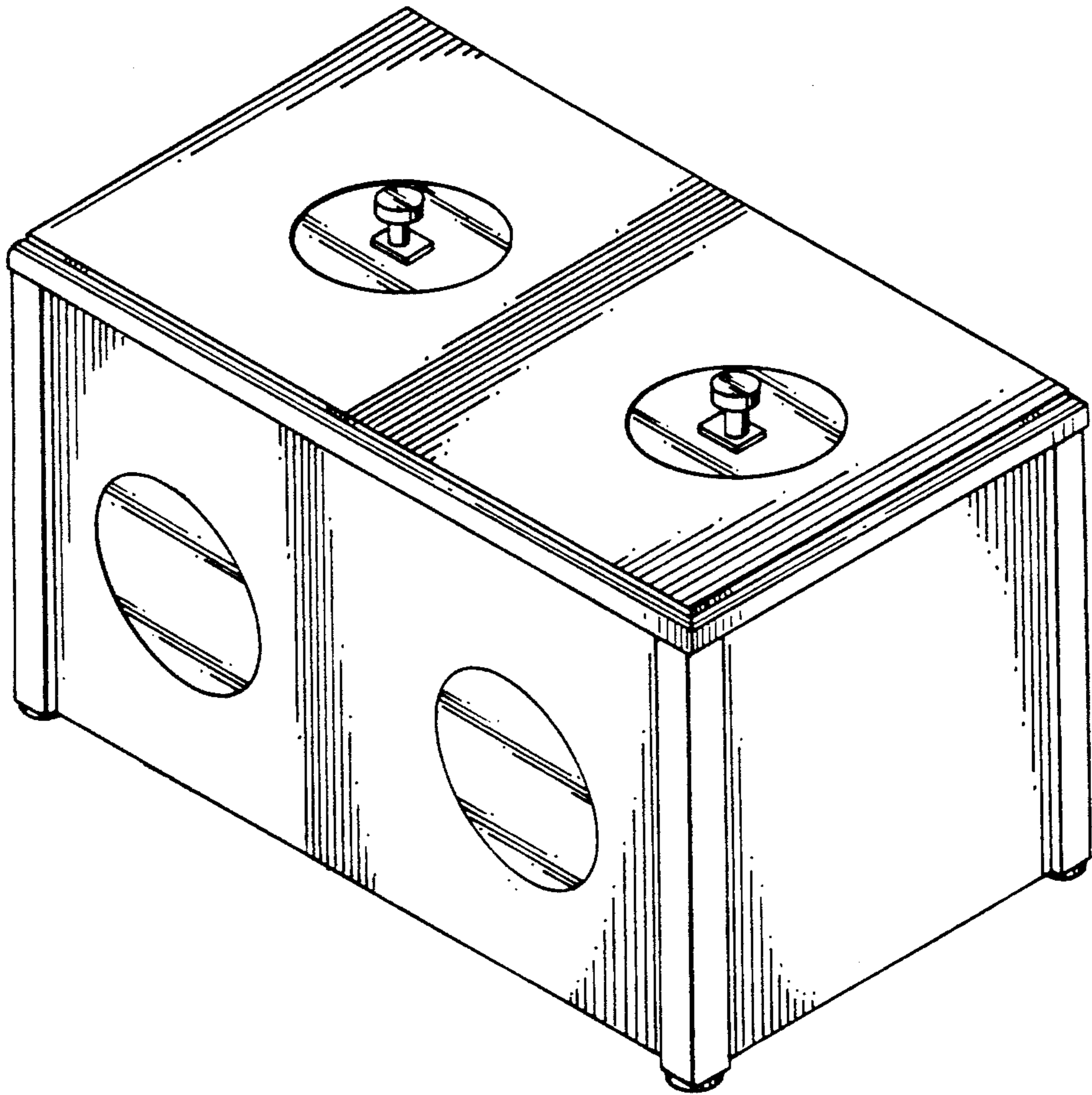
[56] **References Cited**

**U.S. PATENT DOCUMENTS**

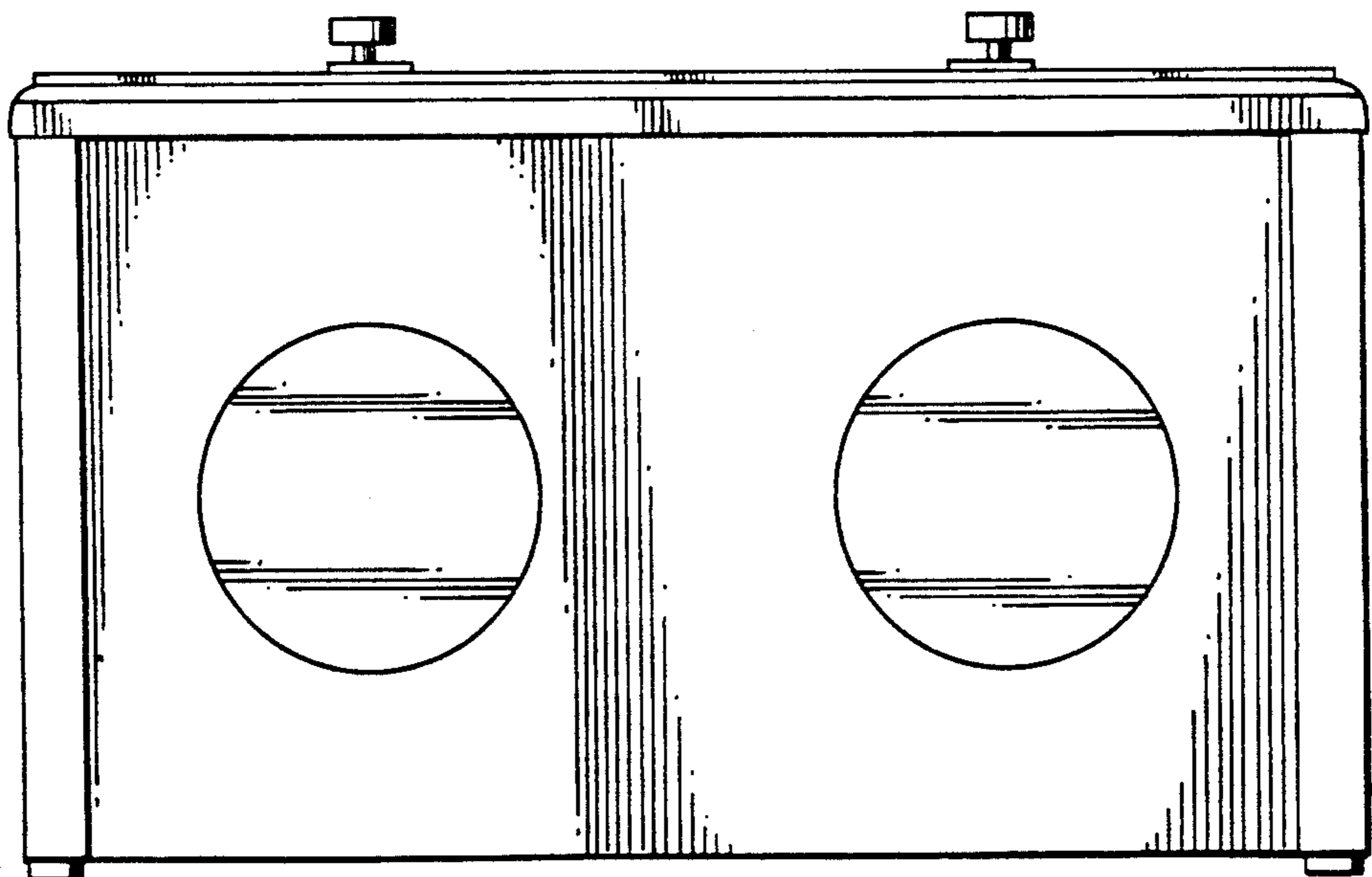
D. 198,082	4/1964	Ward	.....	D19/60
D. 199,566	11/1964	Wolfe, Sr.	.....	D19/60



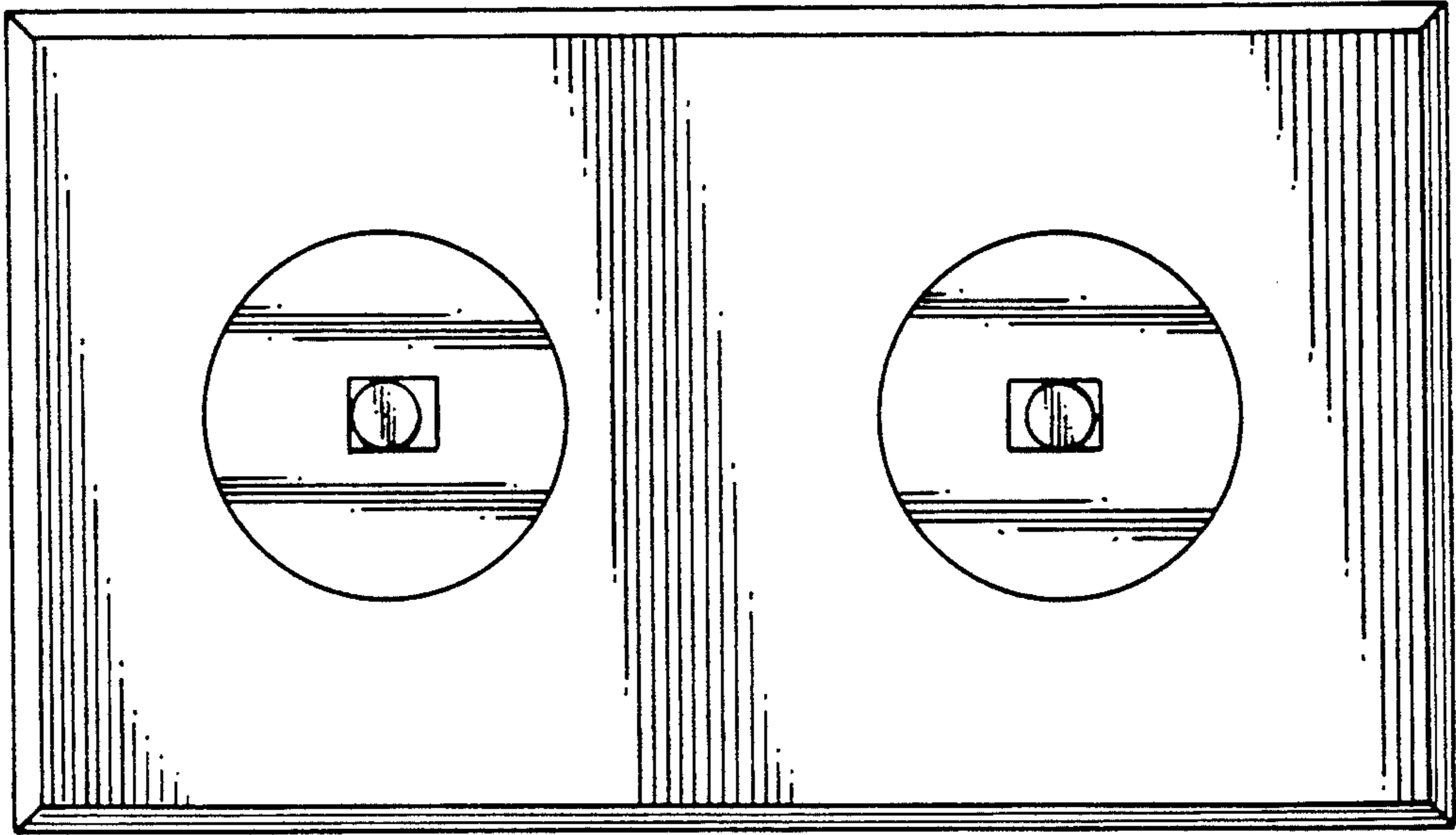
*FIG. 1.*



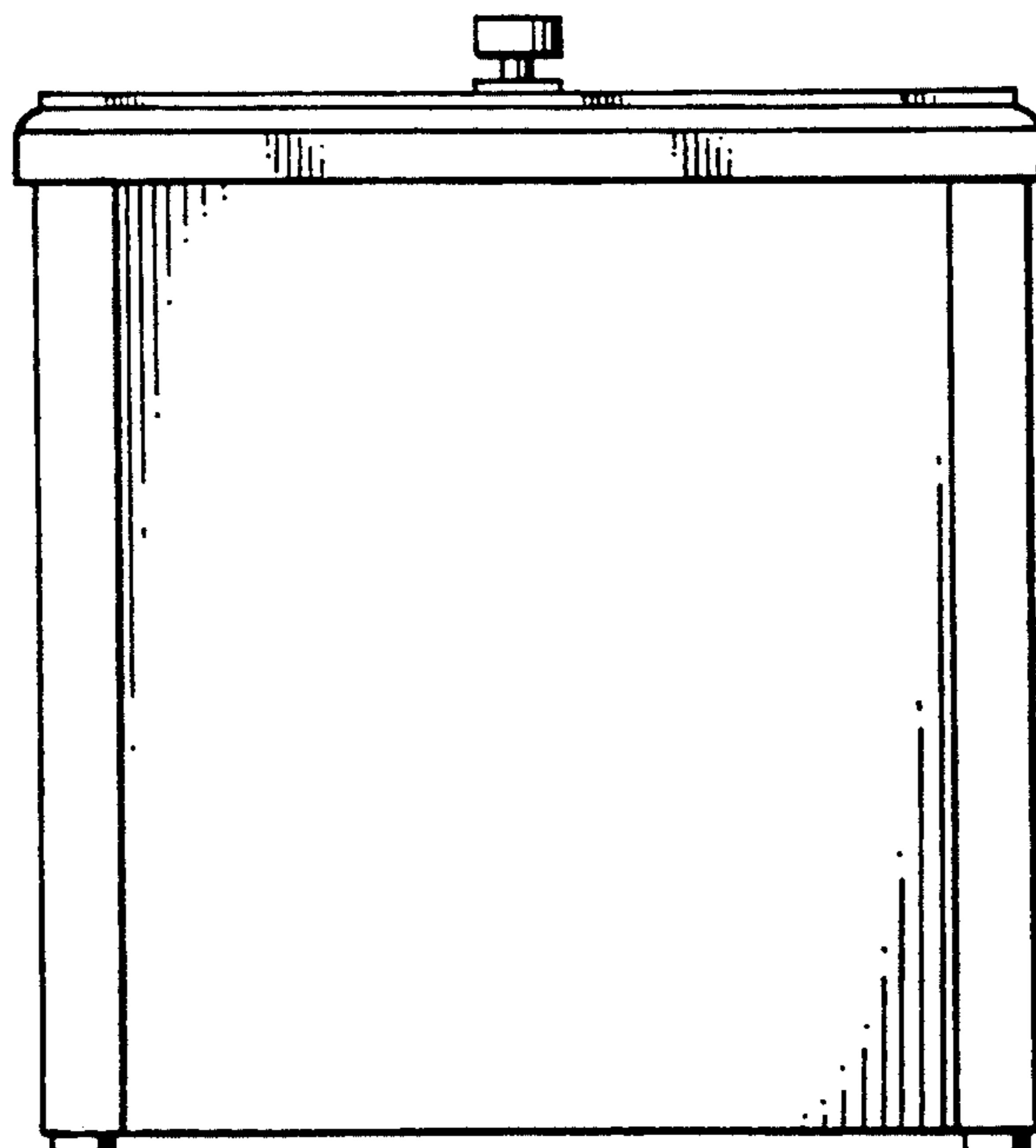
*FIG. 2.*



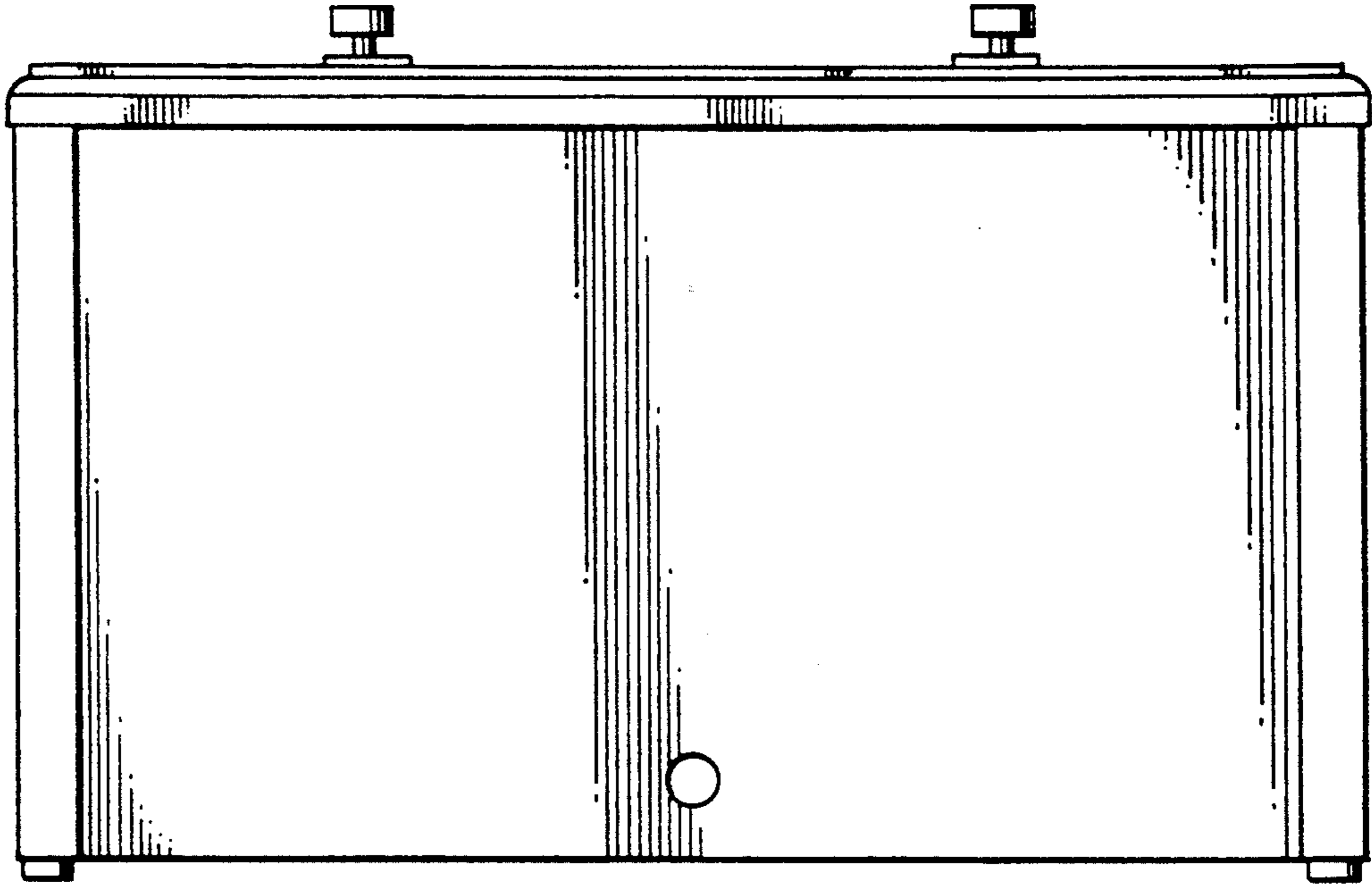
*FIG. 3.*



*FIG. 4.*



*FIG. 5.*



*FIG. 6.*

