



US00D336915S

# United States Patent [19]

[11] Patent Number: **Des. 336,915**

Chen

[45] Date of Patent: **\*\* Jun. 29, 1993**

[54] CALCULATOR

D. 328,090 7/1992 Ido ..... D18/2

[75] Inventor: **Lai-Fu Chen, Taoyuan, Taiwan**

*Primary Examiner*—Alan P. Douglas

[73] Assignee: **Aurora Mechatronics Corp., Taoyuan, Taiwan**

*Assistant Examiner*—Ann Hunt

*Attorney, Agent, or Firm*—Jacobson, Price, Holman & Stern

[\*\*] Term: **14 Years**

[57] CLAIM

[21] Appl. No.: **828,481**

The ornamental design for a calculator, as shown and described.

[22] Filed: **Jan. 30, 1992**

[52] U.S. Cl. .... **D18/7; D18/2**

### DESCRIPTION

[58] Field of Search ..... **D18/1, 2, 6, 7, 11, D18/12; D14/100, 106, 107; 200/5 A; 235/61 R; 340/365, 700; 364/706, 710**

FIG. 1 is a front and top perspective view of a calculator showing my new design;

FIG. 2 is a front elevational view thereof;

FIG. 3 is a rear elevational view thereof;

FIG. 4 is a left side elevational view thereof;

FIG. 5 is a right side elevational view thereof;

FIG. 6 is a top plan view thereof; and,

FIG. 7 is a bottom plan view thereof.

[56] **References Cited**

### U.S. PATENT DOCUMENTS

D. 312,831 12/1990 Sawada et al. .... D18/2

D. 317,935 5/1991 Sawano ..... D14/100





FIG. 1

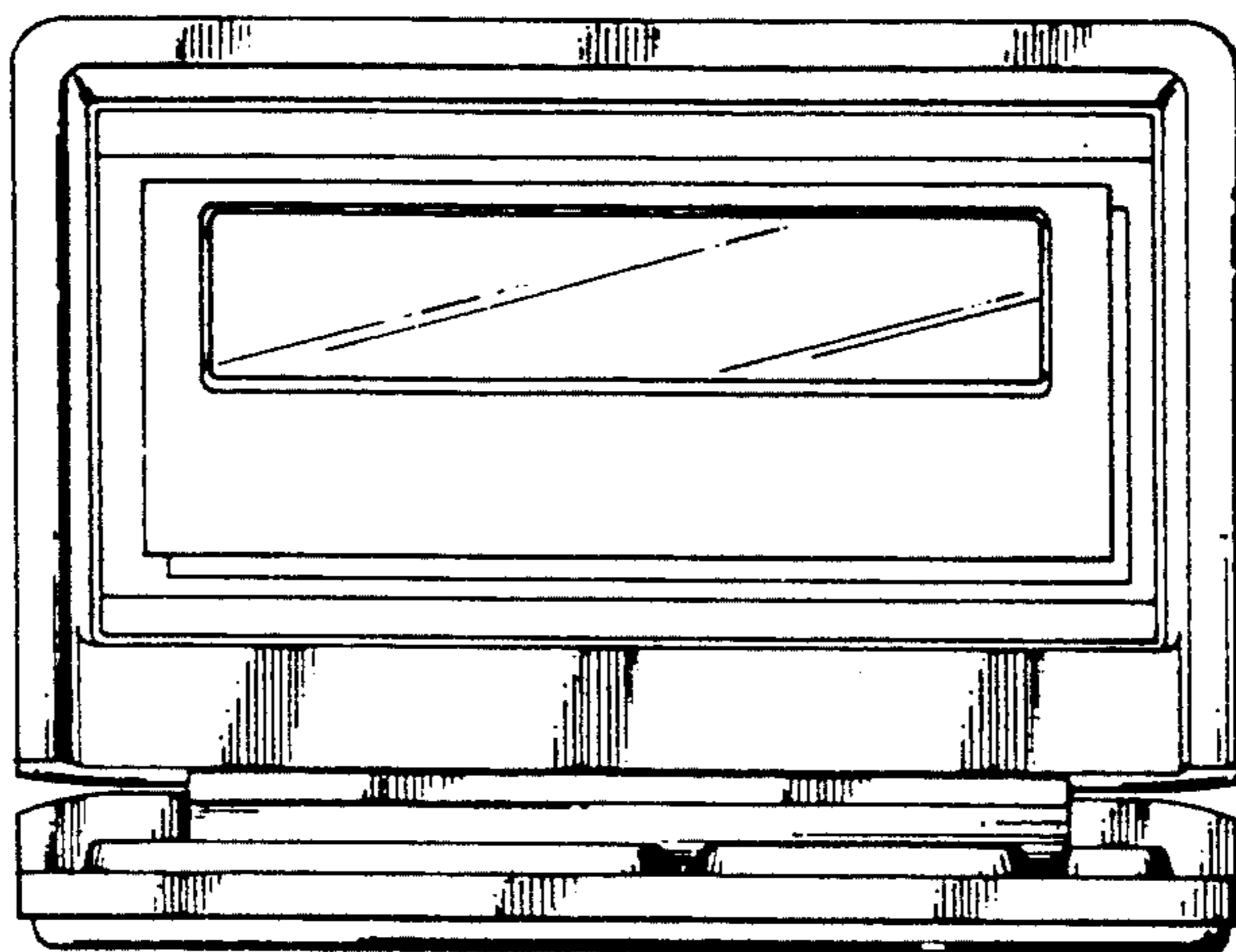


FIG. 2

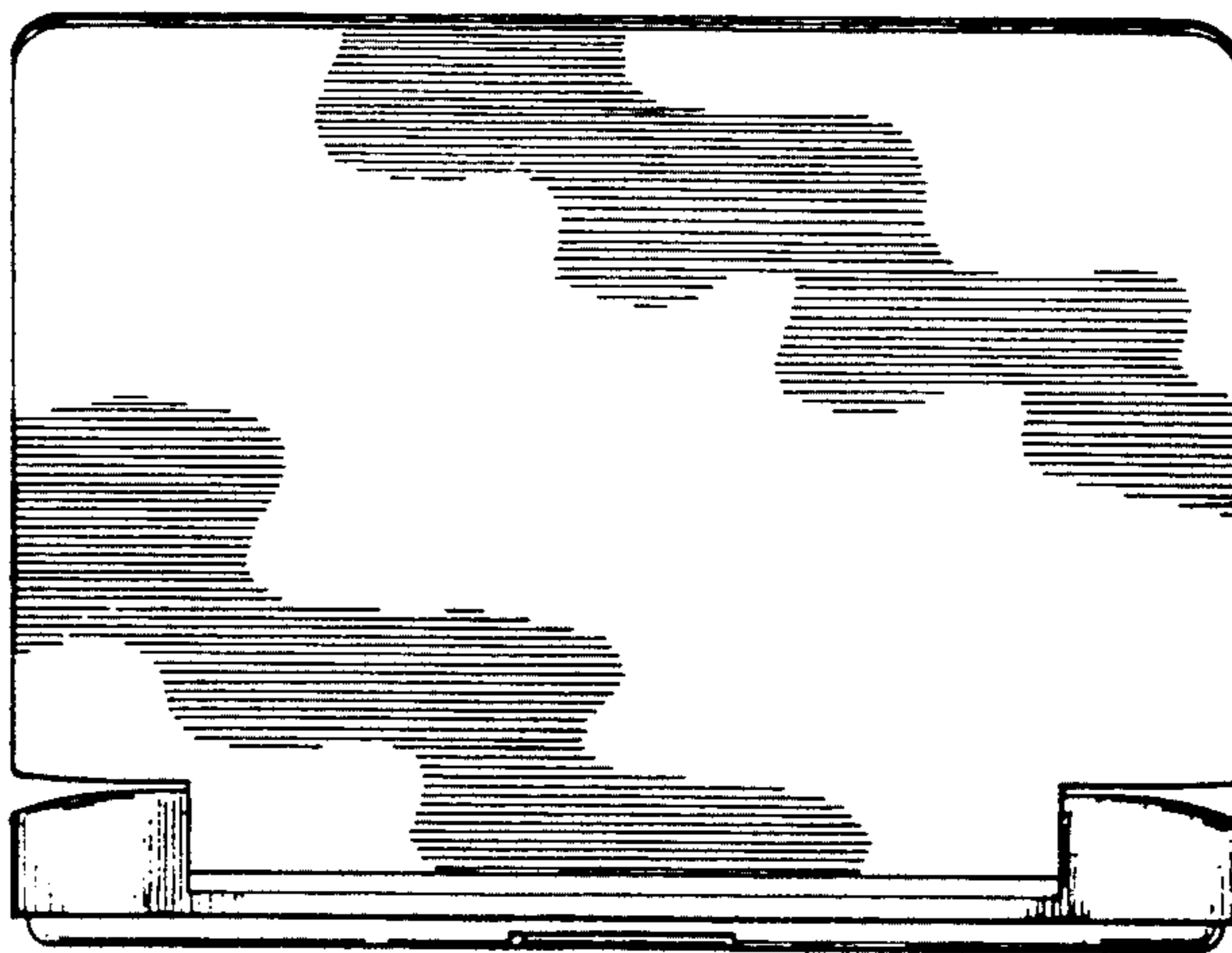


FIG. 3

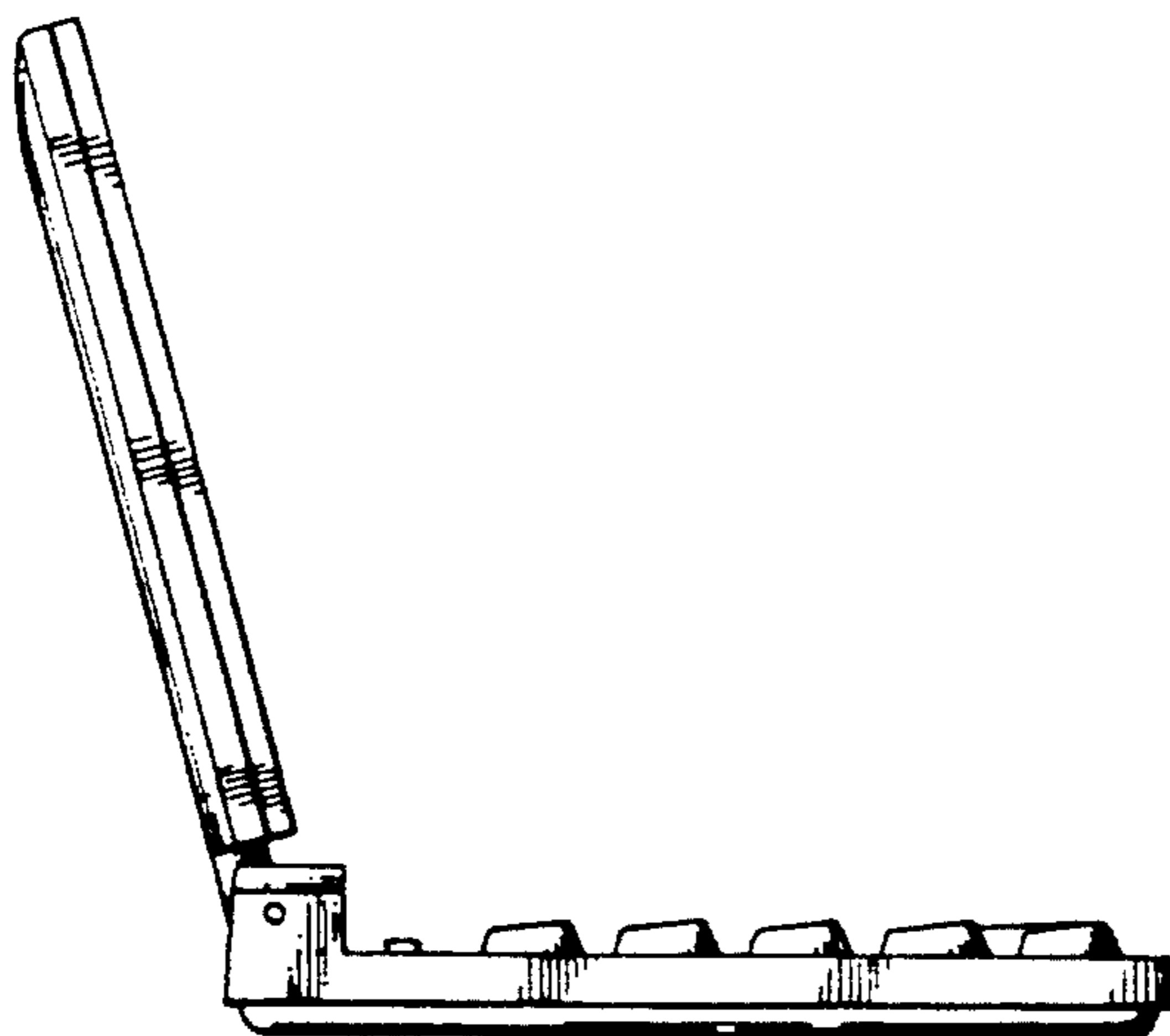


FIG. 4

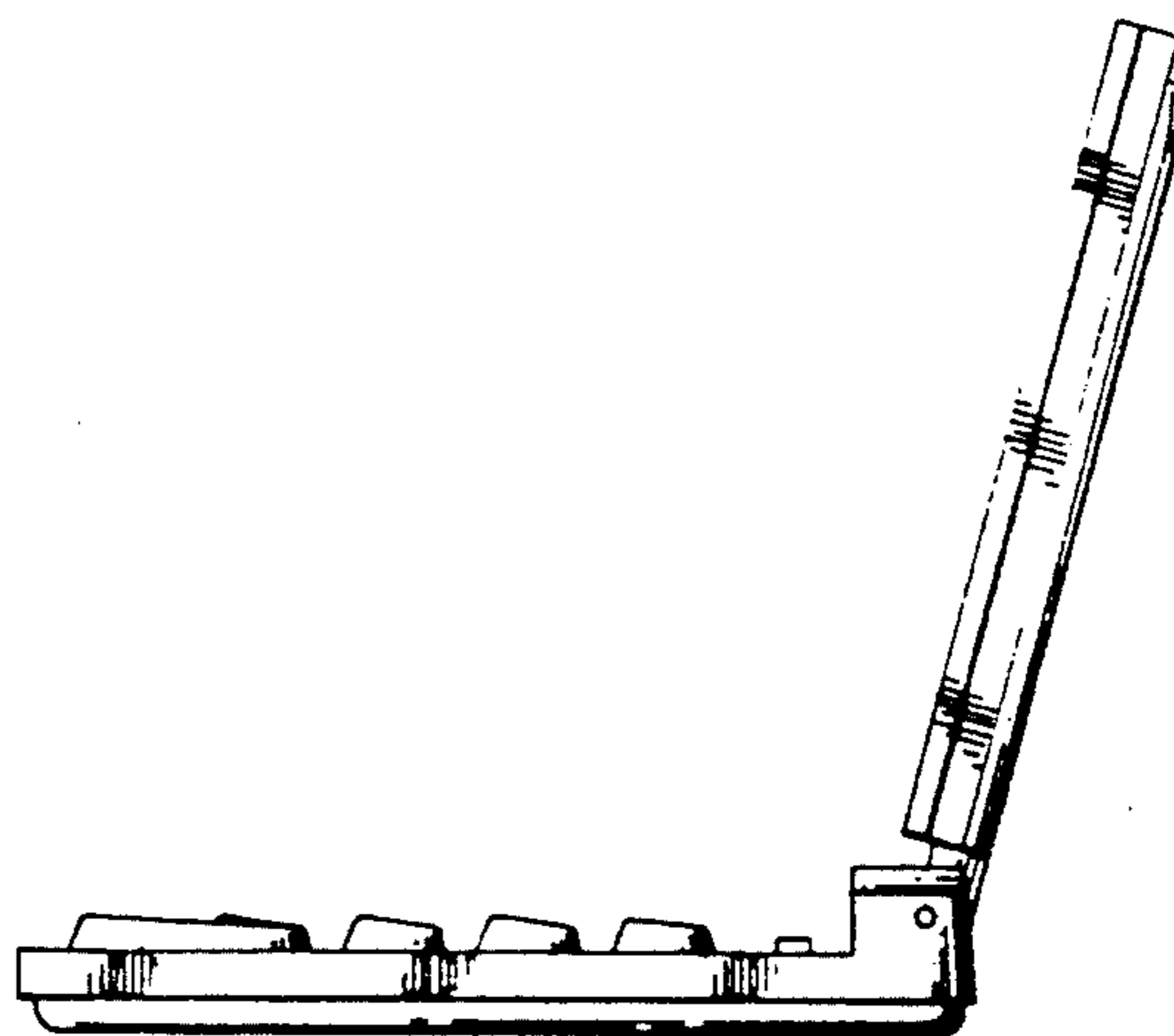


FIG. 5

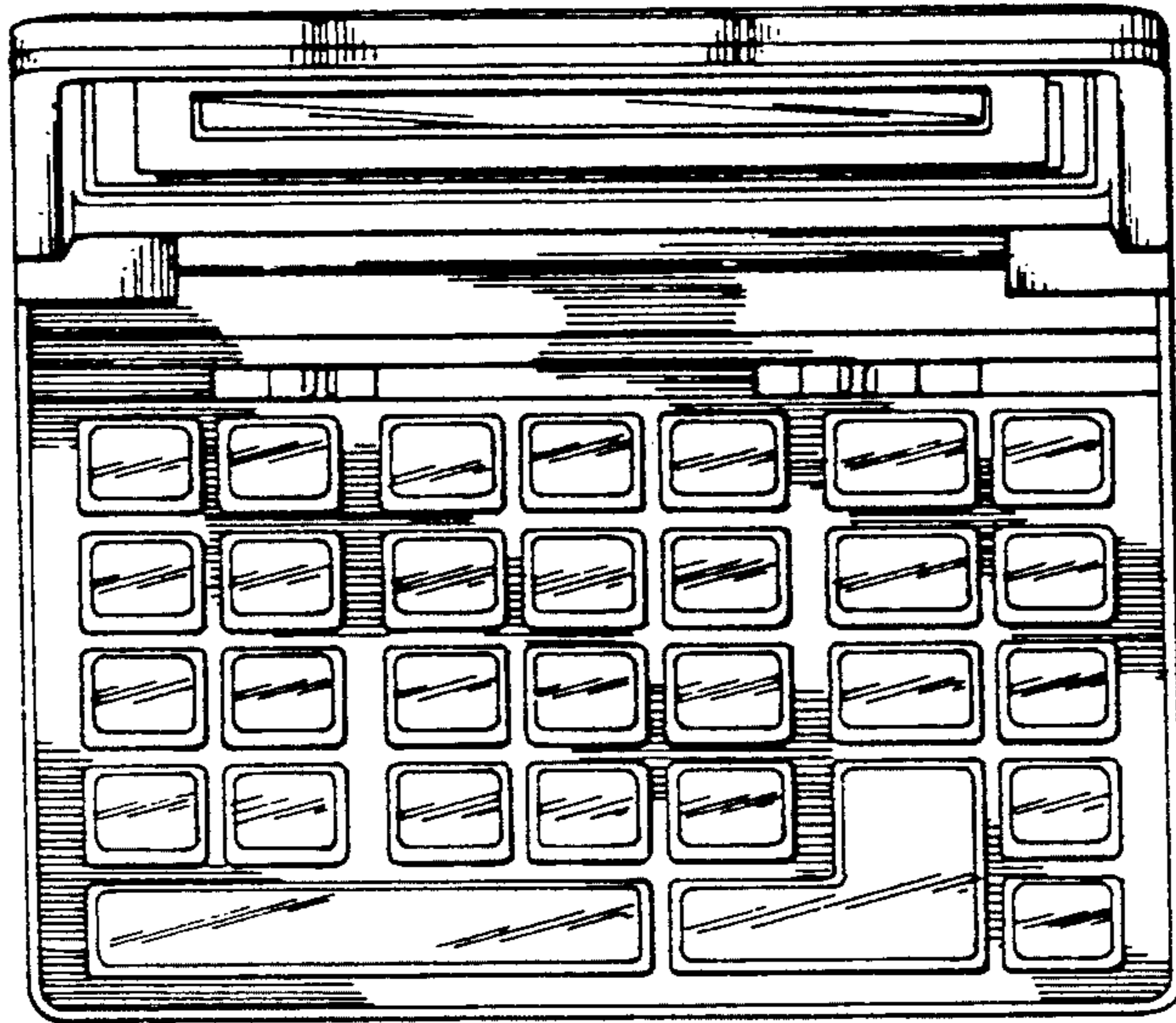


FIG. 6

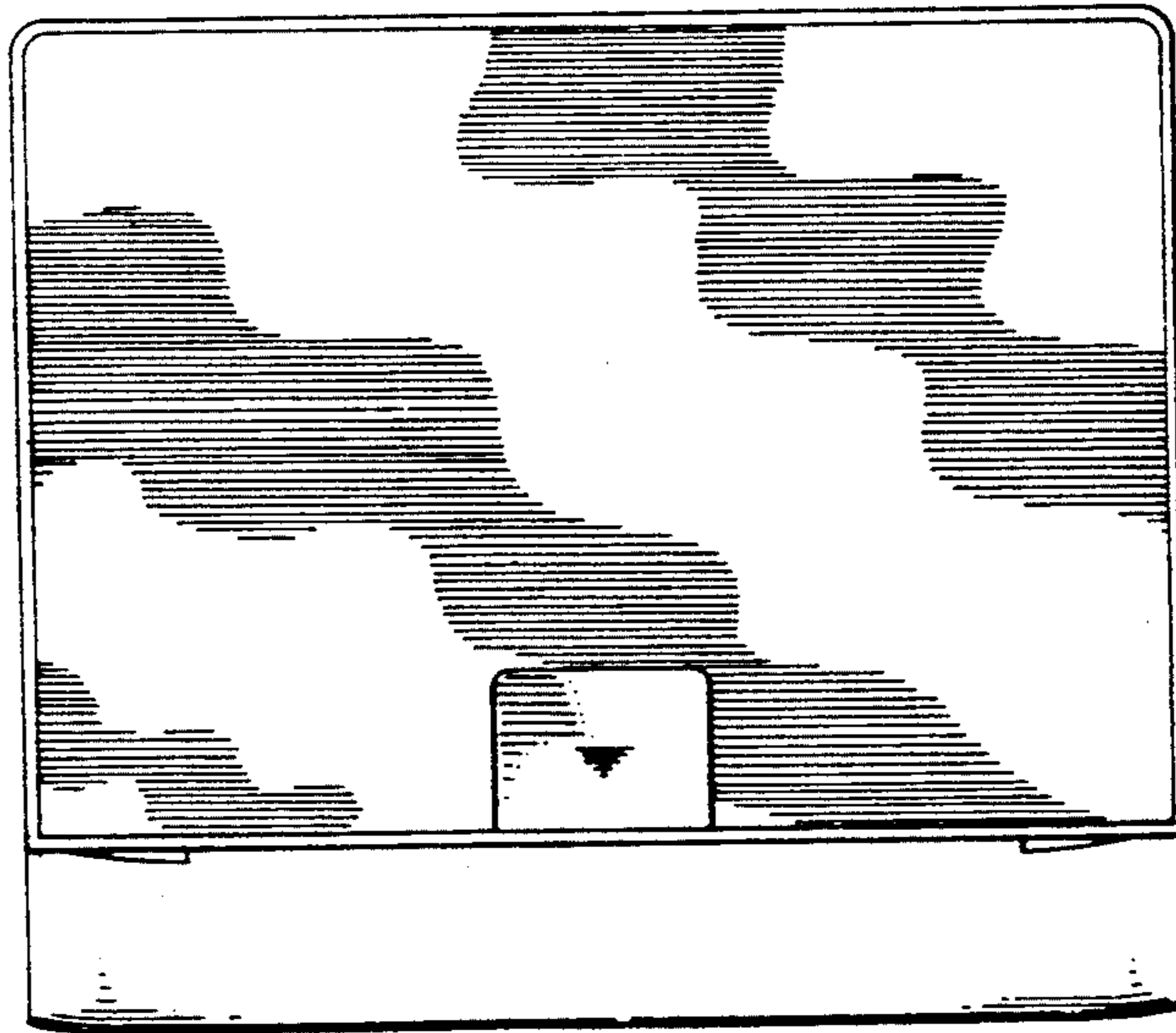


FIG. 7