



US00D336909S

United States Patent [19]

[11] Patent Number: **Des. 336,909**

Sakurai

[45] Date of Patent: **** Jun. 29, 1993**

[54] **MAGNIFIER**
 [75] Inventor: **Jun Sakurai, Ashiya, Japan**
 [73] Assignee: **Konami Industry, Co., Ltd., Japan**
 [**] Term: **14 Years**
 [21] Appl. No.: **590,302**
 [22] Filed: **Sep. 28, 1990**

4,099,851 7/1978 Rethore 359/647
 4,250,644 2/1981 Jantzen 40/362
 4,549,785 10/1985 Vitrac 359/474
 4,550,515 11/1985 Simmons 40/362
 4,991,935 2/1991 Sakurai 359/802 X
 5,048,928 9/1991 Davis 359/809
 5,130,853 7/1992 Sakurai 359/808 X

Related U.S. Application Data

[63] Continuation-in-part of Ser. No. 435,579, Nov. 13, 1989, Pat. No. Des. 328,909.
 [52] U.S. Cl. **D16/135**
 [58] Field of Search **D16/135; 359/802, 803, 359/804, 806, 807, 808, 818, 811, 809; 40/367, 361-365**

References Cited

U.S. PATENT DOCUMENTS

D. 324,872 3/1992 Serchuk D16/135
 2,718,815 9/1955 Manning 359/818 X
 2,876,674 3/1959 Ohlhaber 359/807
 2,983,061 5/1961 Maierhofer 359/804 X
 3,389,636 6/1968 Weitzner et al. 350/145
 3,748,765 7/1973 Bass et al. 40/367
 3,804,504 4/1974 Scott 358/254
 4,030,814 6/1977 Clifton et al. 359/801
 4,076,391 2/1978 Telser et al. 359/806

OTHER PUBLICATIONS

"Toys" Intern and The Retailer, May 1984, pp. 20-21.

Primary Examiner—A. Hugo Word
Assistant Examiner—Doris V. Coles
Attorney, Agent, or Firm—Welsh & Katz, Ltd.

CLAIM

The ornamental design for a magnifier, as shown and described.

DESCRIPTION

FIG. 1 is a perspective view of a magnifier, showing my new design;
 FIG. 2 is a right side elevational view thereof;
 FIG. 3 is a top plan view thereof;
 FIG. 4 is a left side elevational view thereof;
 FIG. 5 is a front elevational view thereof;
 FIG. 6 is a rear elevational view thereof;
 FIG. 7 is a bottom plan view thereof; and,
 FIG. 8 is a side elevational view with the lens in a raised position.

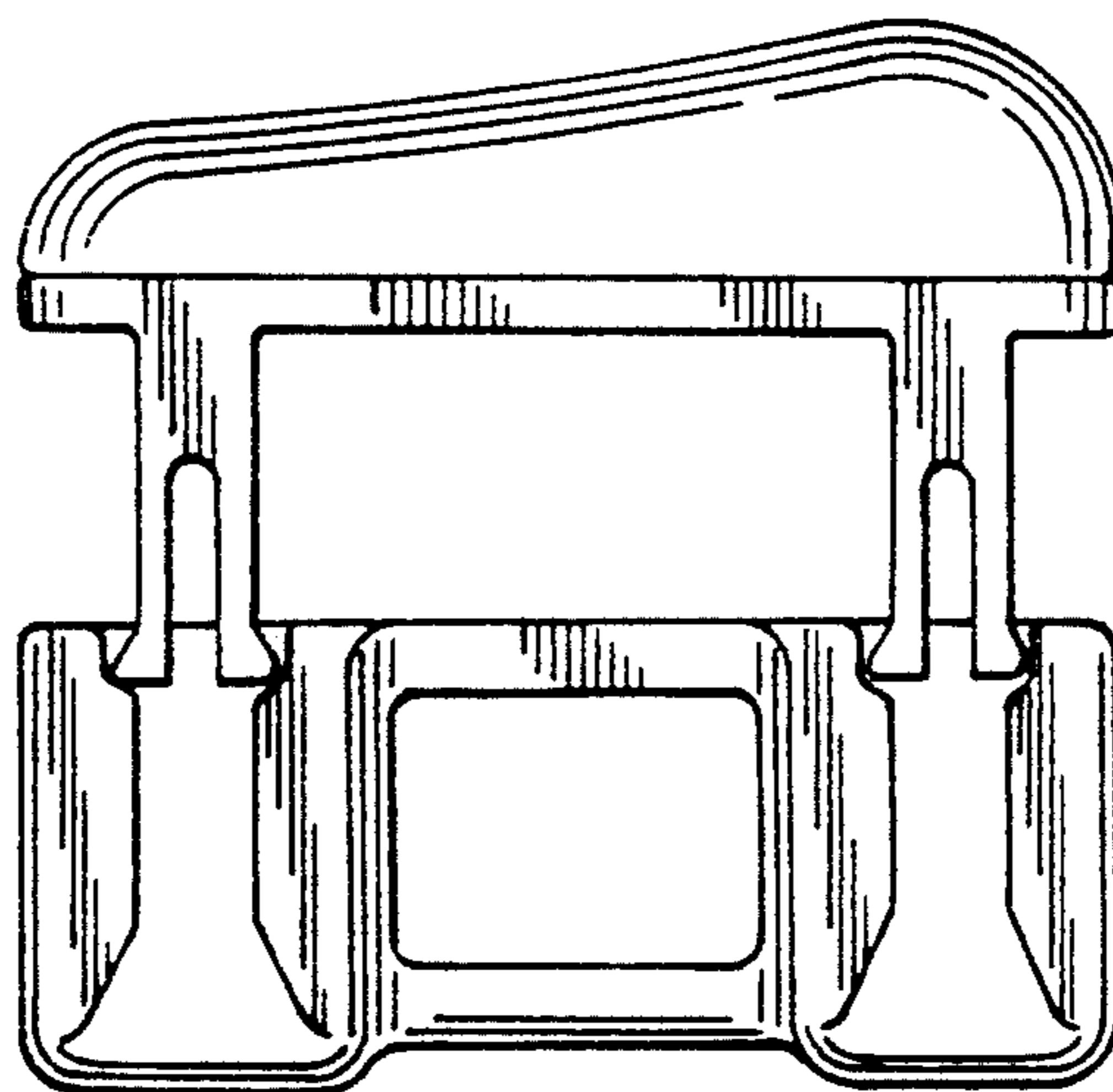


FIG. 1

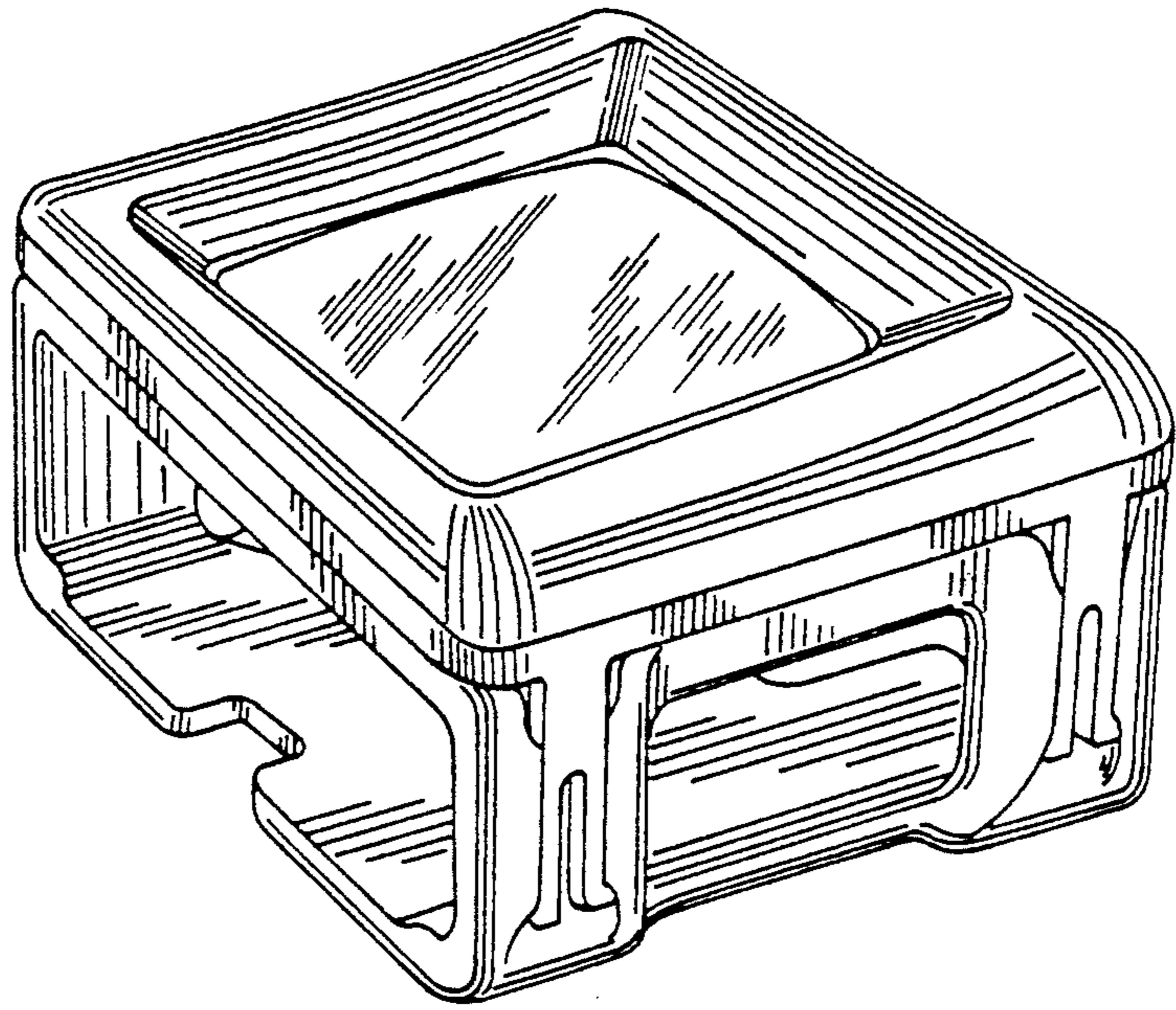


FIG. 2

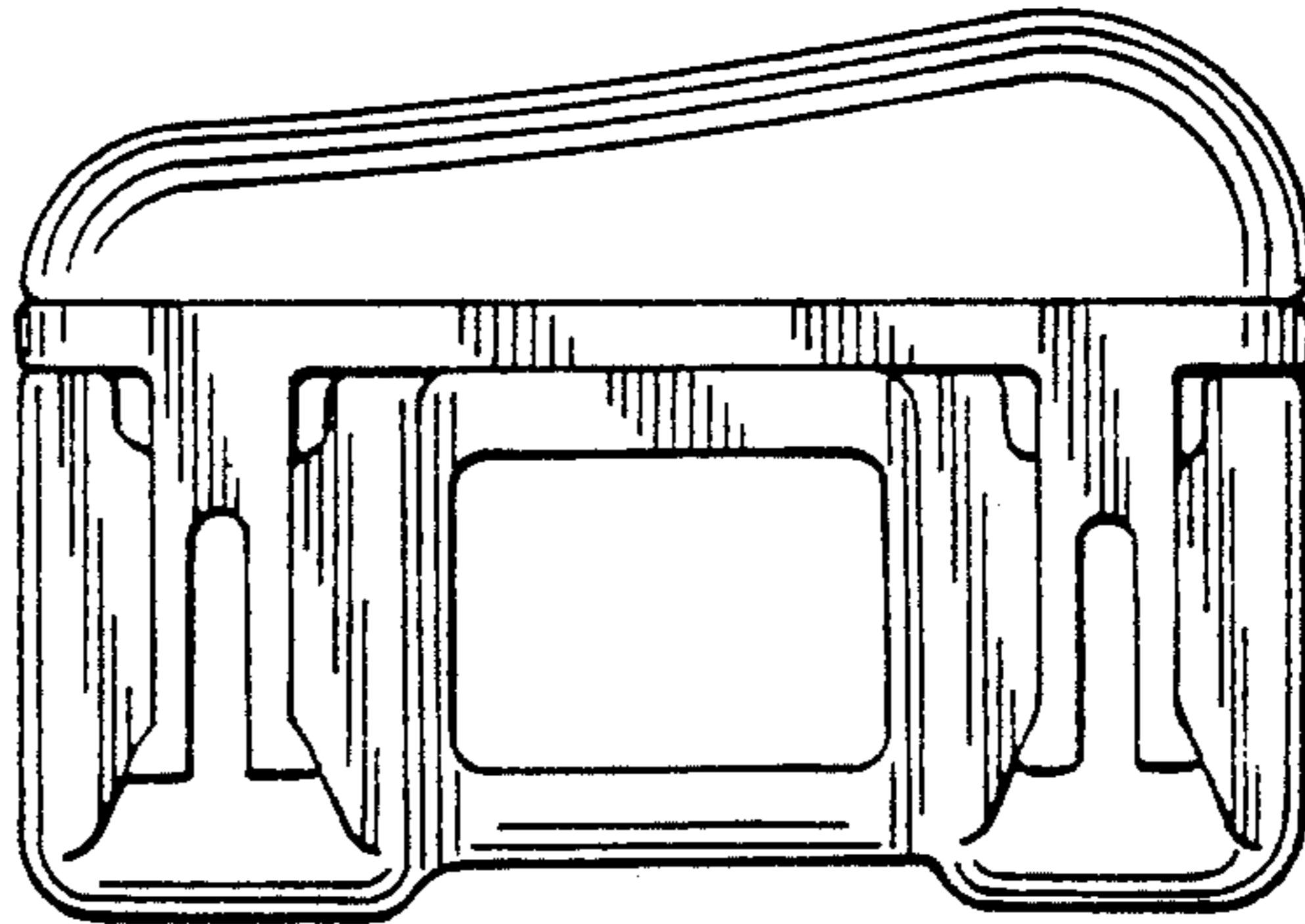


FIG. 3

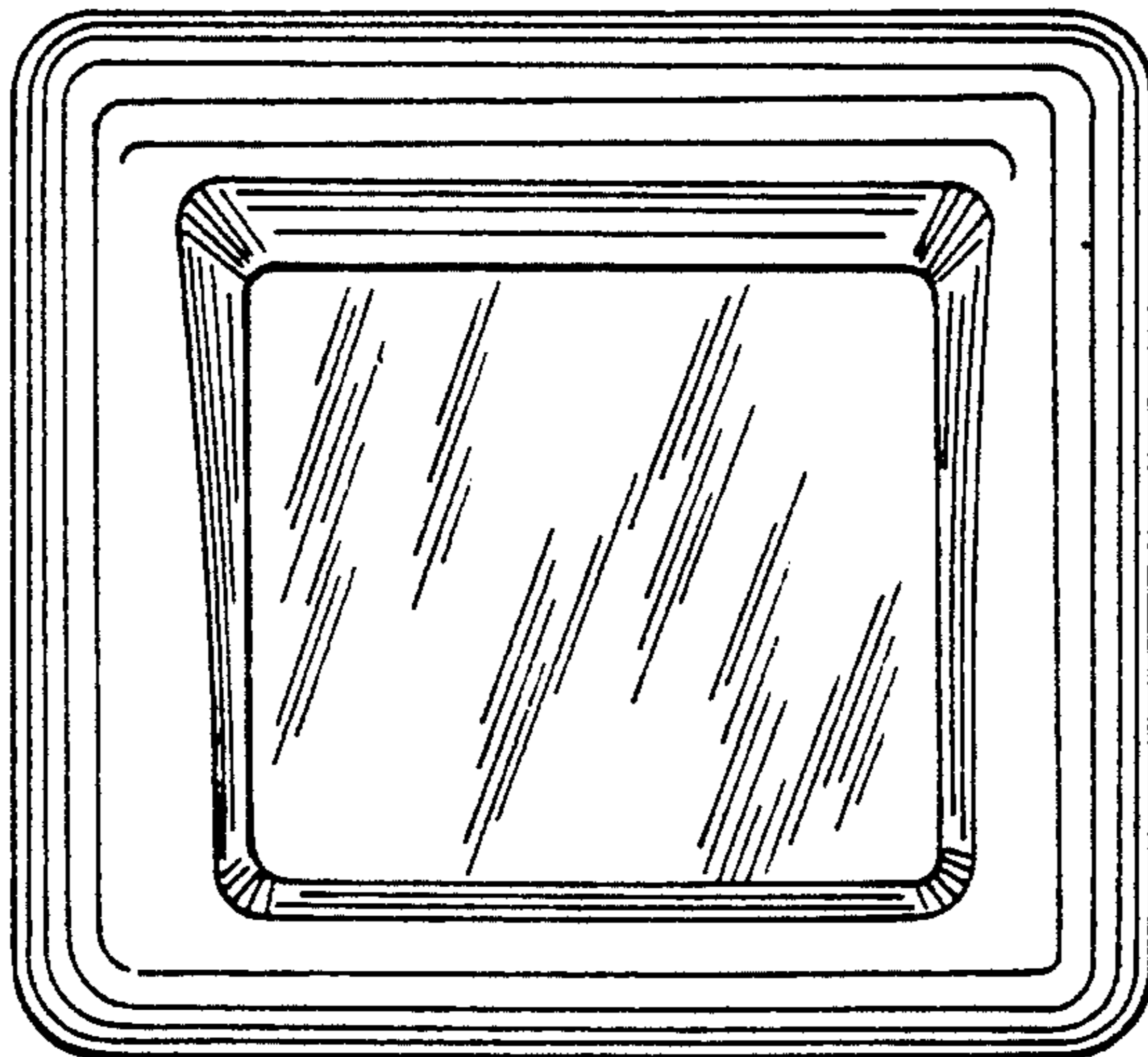


FIG. 4

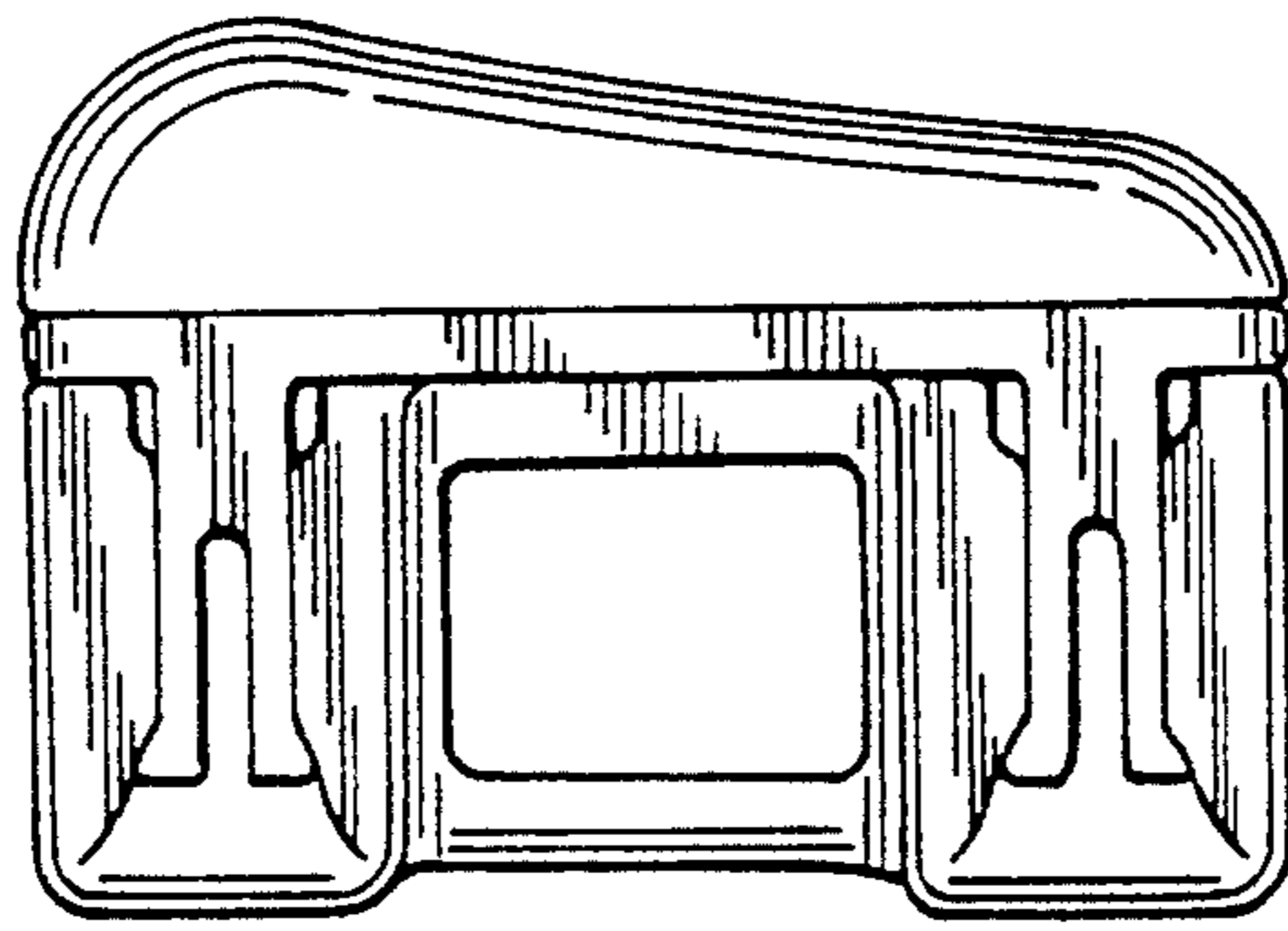


FIG. 5

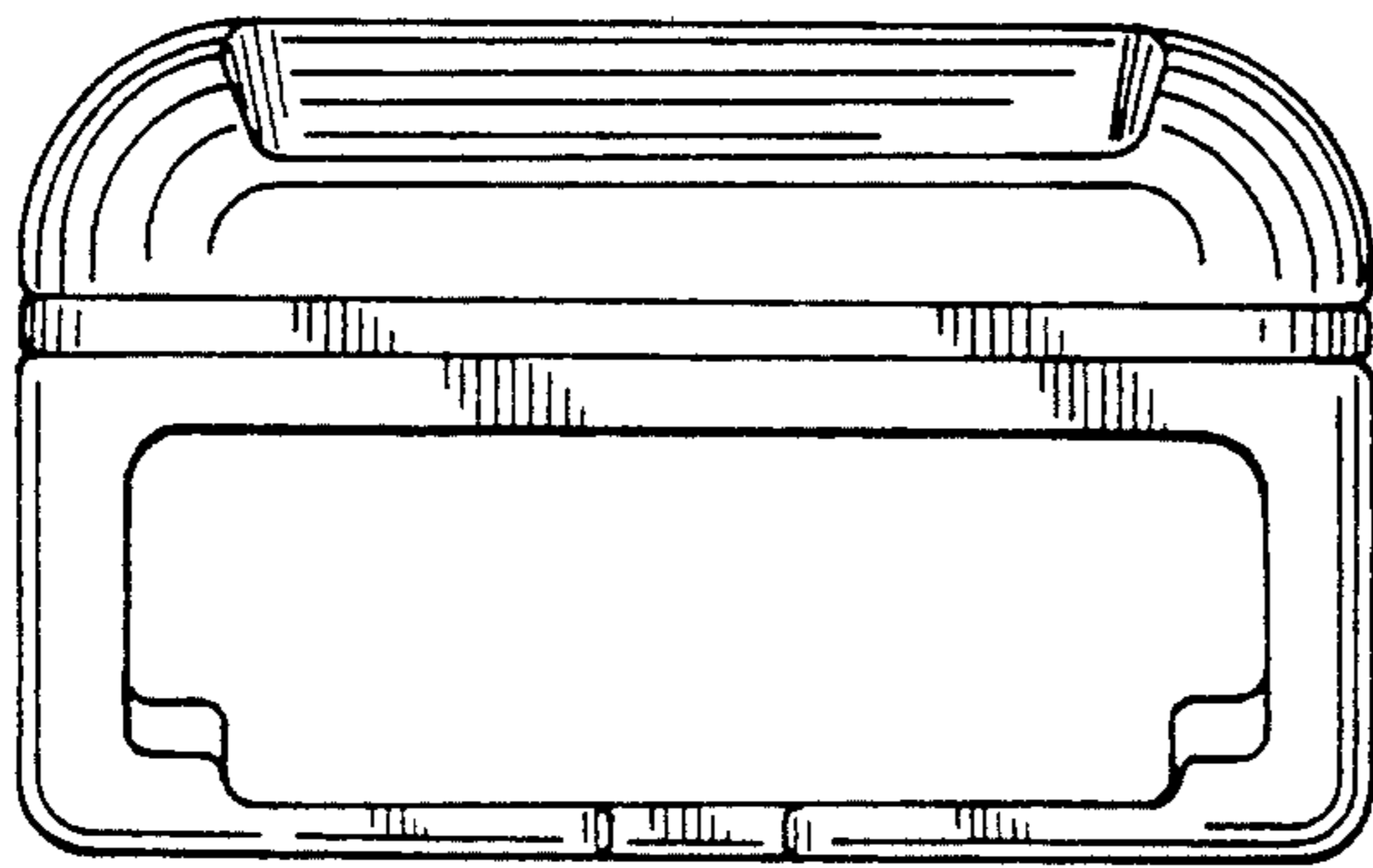


FIG. 6

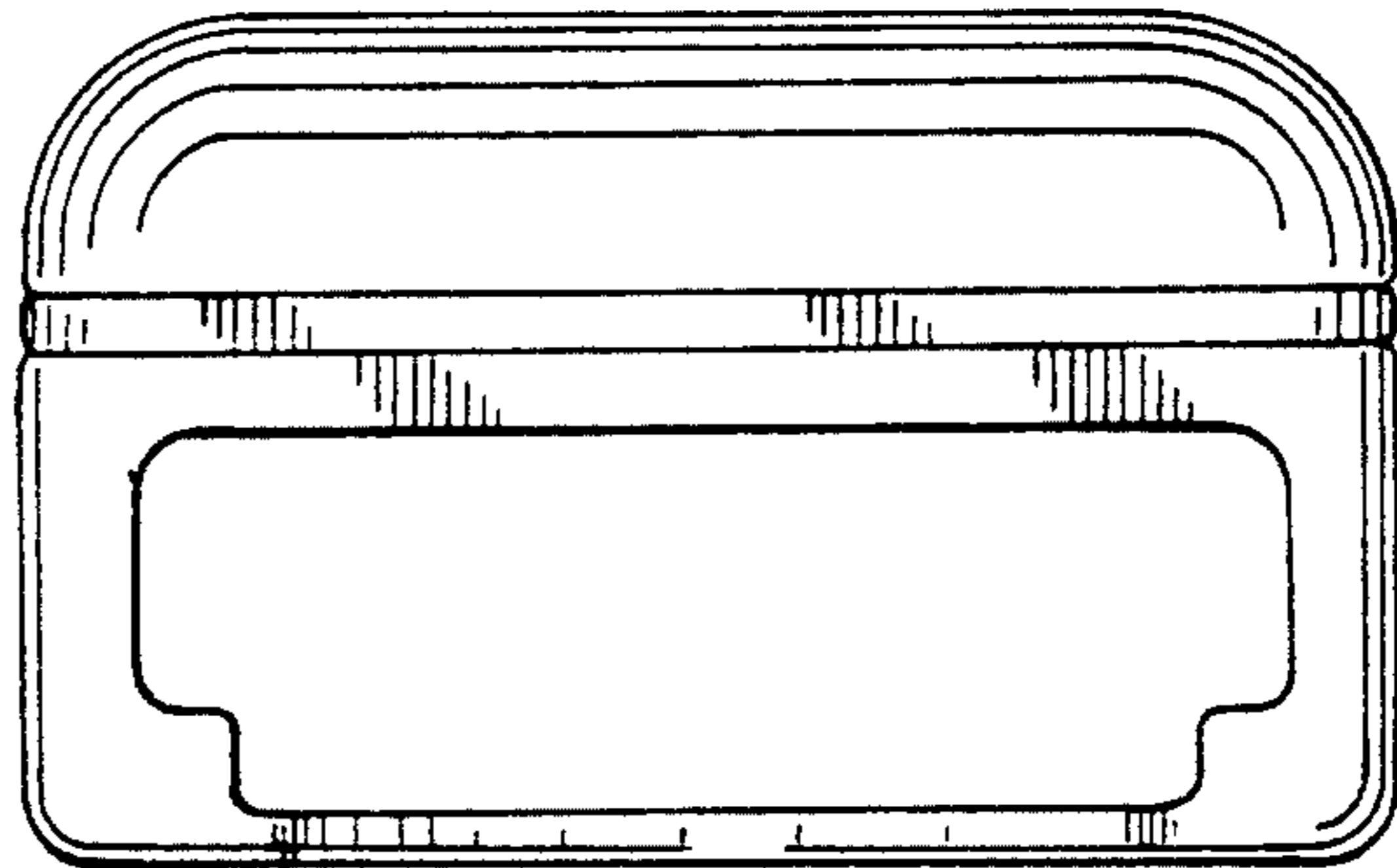


FIG. 7

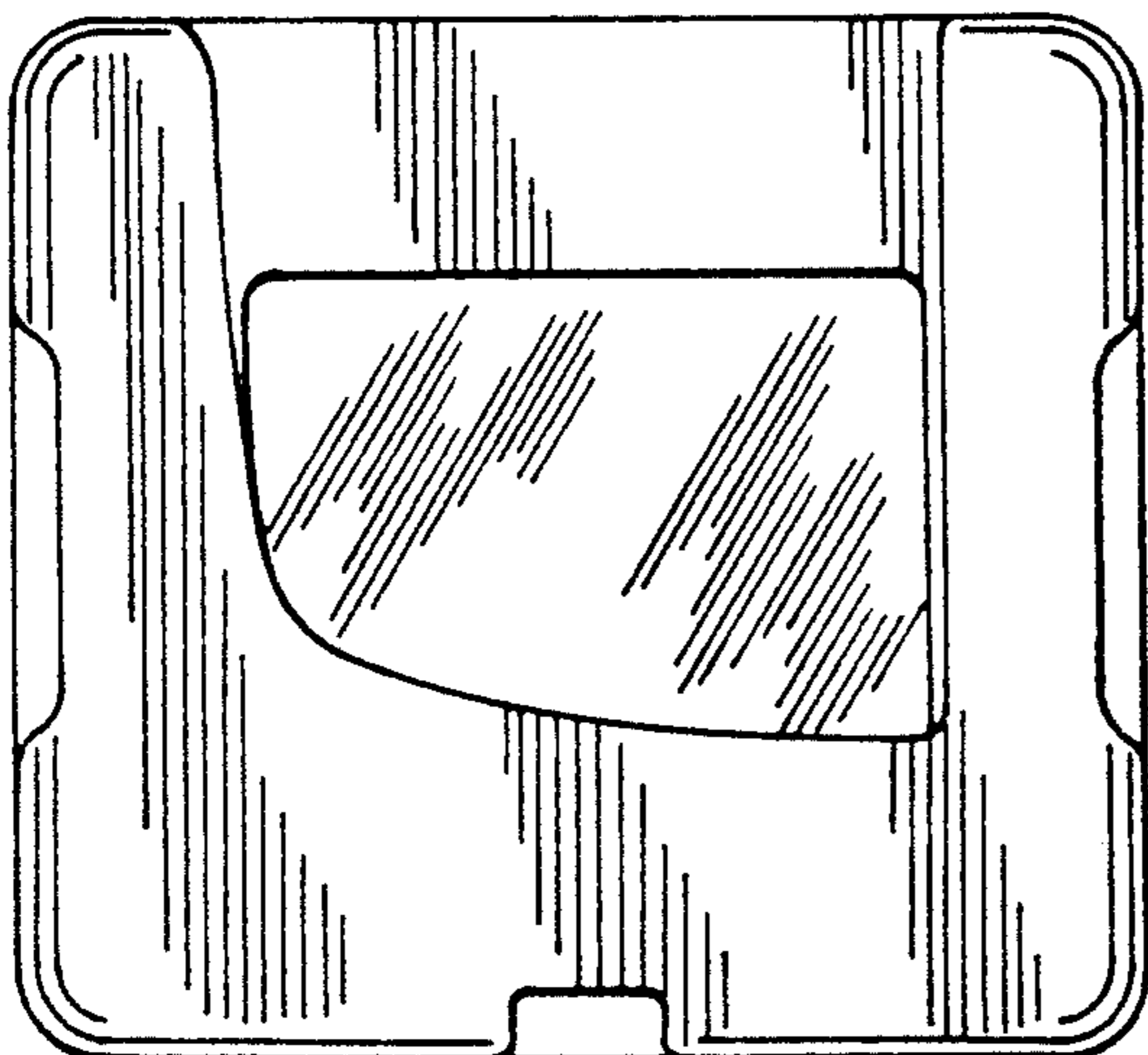


FIG. 8

