



US00D336907S

United States Patent [19]

[11] Patent Number: **Des. 336,907**

Hennenberg

[45] Date of Patent: **** Jun. 29, 1993**

[54] **PARTY FAVOR MAKER**

[75] Inventor: **Leslie Hennenberg**, Port Jervis, N.Y.

[73] Assignee: **Yarn Kits, Inc.**, New York, N.Y.

[**] Term: **14 Years**

[21] Appl. No.: **740,762**

[22] Filed: **Aug. 6, 1991**

[52] U.S. Cl. **D15/145**

[58] Field of Search **D15/145, 199; 53/136.1, 53/172, 221, 390, 449, 453, 464, 575**

[56] **References Cited**

U.S. PATENT DOCUMENTS

Re. 32,946	6/1989	Nakata et al.	53/464	X
D. 217,502	5/1970	Valeric	D15/199	X
D. 306,451	3/1990	Proia	D15/145	
2,944,295	7/1960	Sloan	53/453	X
4,825,624	5/1989	Calcerano	53/449	X
5,001,885	3/1991	Borella	53/464	X

Primary Examiner—Alan P. Douglas
Assistant Examiner—Antoine D. Davis
Attorney, Agent, or Firm—Wolf, Greenfield & Sacks

[57] **CLAIM**

The ornamental design for a party favor maker, as shown and described.

DESCRIPTION

FIG. 1 is a left side, top and front perspective view of a party favor maker showing my new design;
FIG. 2 is a top plan view thereof;
FIG. 3 is a front elevational view thereof;
FIG. 4 is a rear elevational view thereof;
FIG. 5 is a right side elevational view thereof, the opposite side being a mirror image;
FIG. 6 is a bottom plan view thereof; and,
FIG. 7 is a left side, top and front perspective view of a party favor maker in an open position.
The dotted line circles shown in FIGS. 1, 3 and 7 represents a perforated surface.

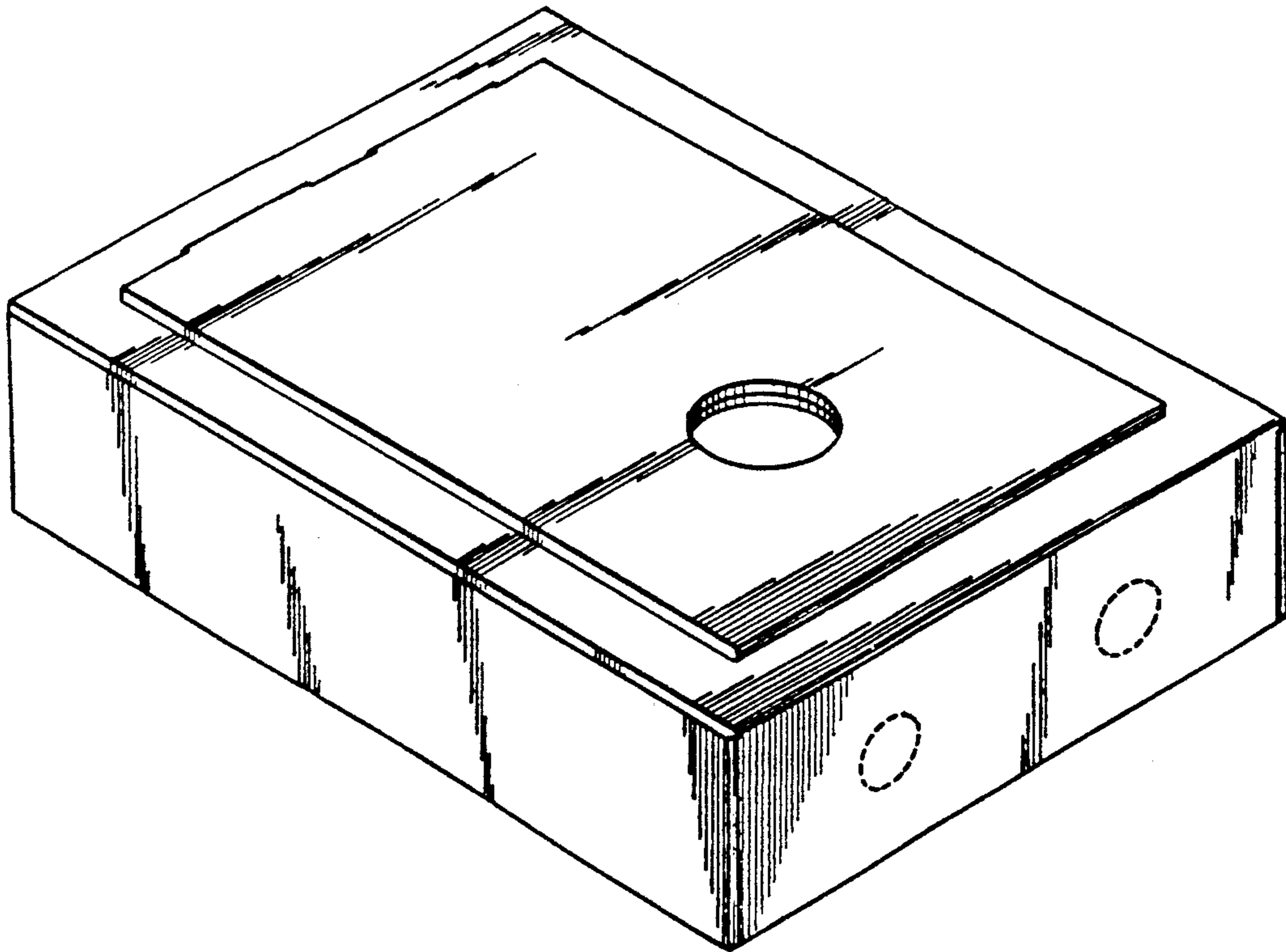


Fig. 1

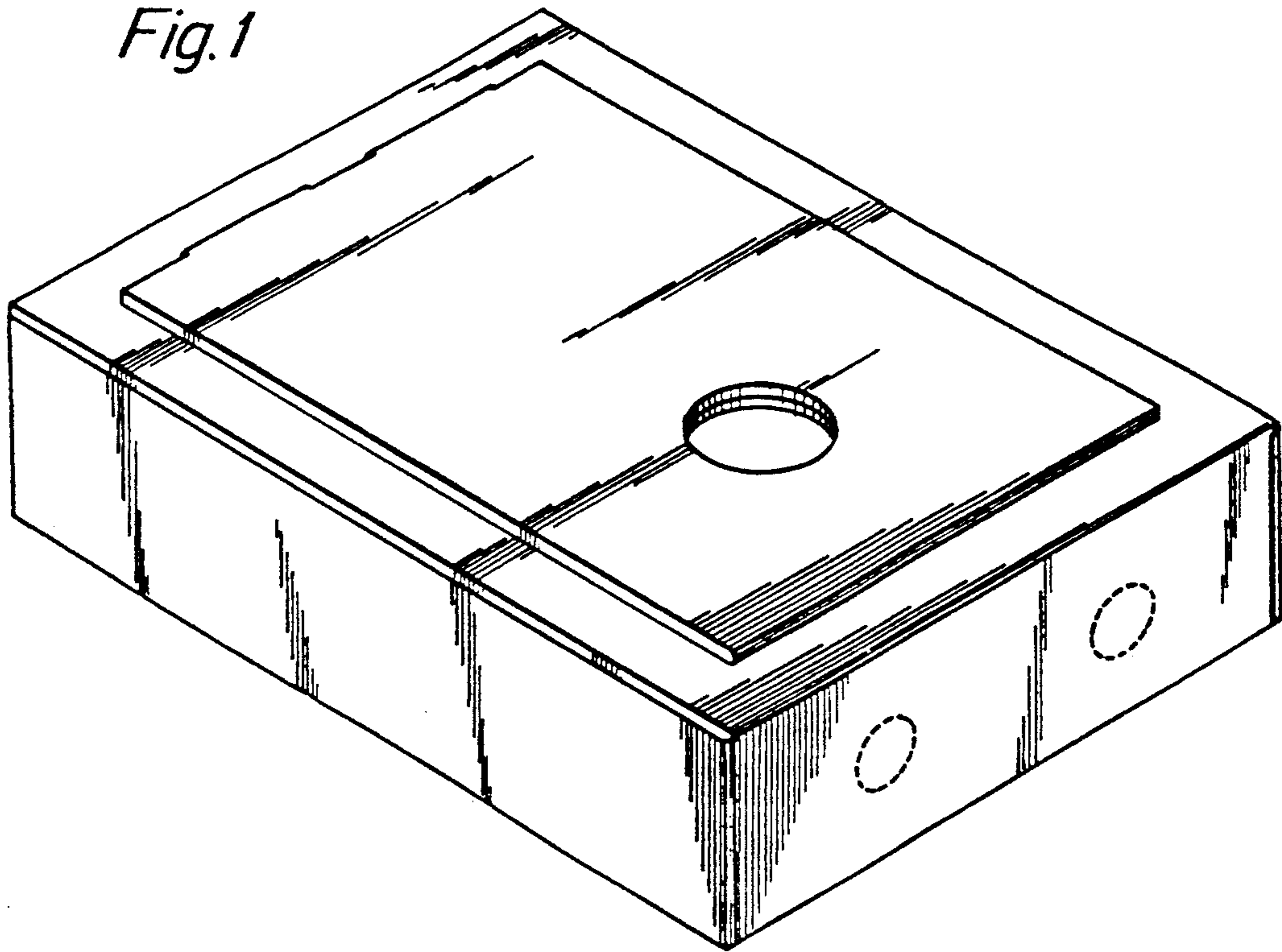


Fig. 2

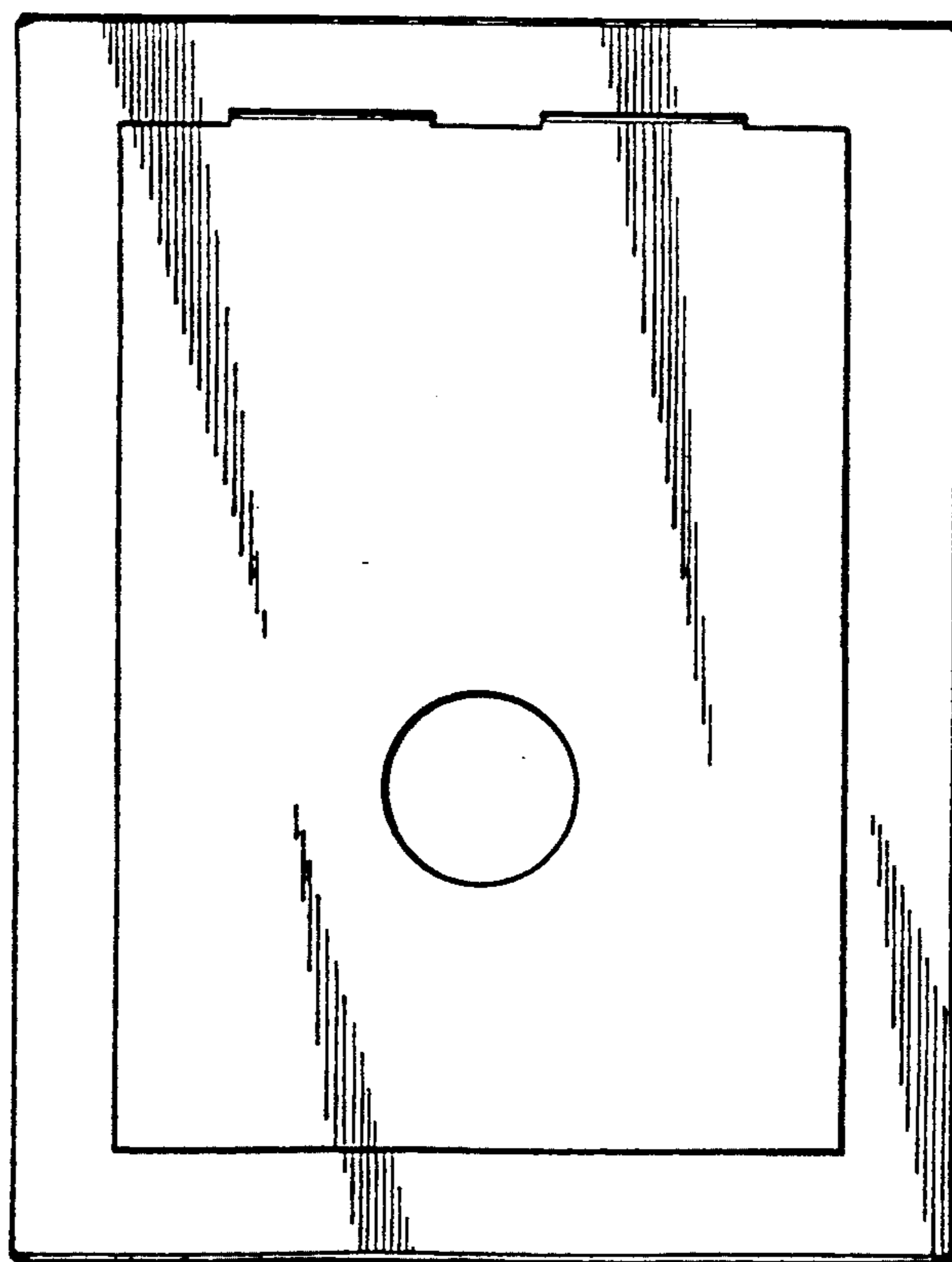


Fig. 3

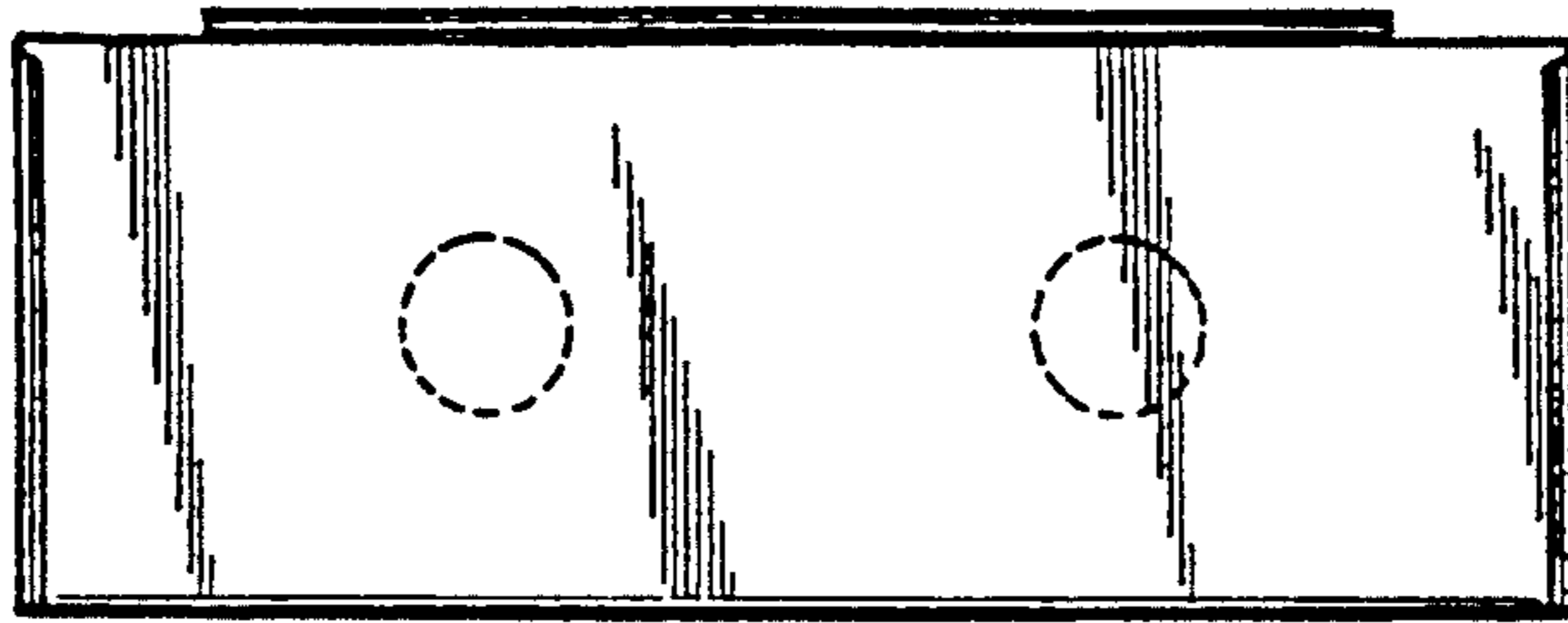


Fig. 4



Fig. 5

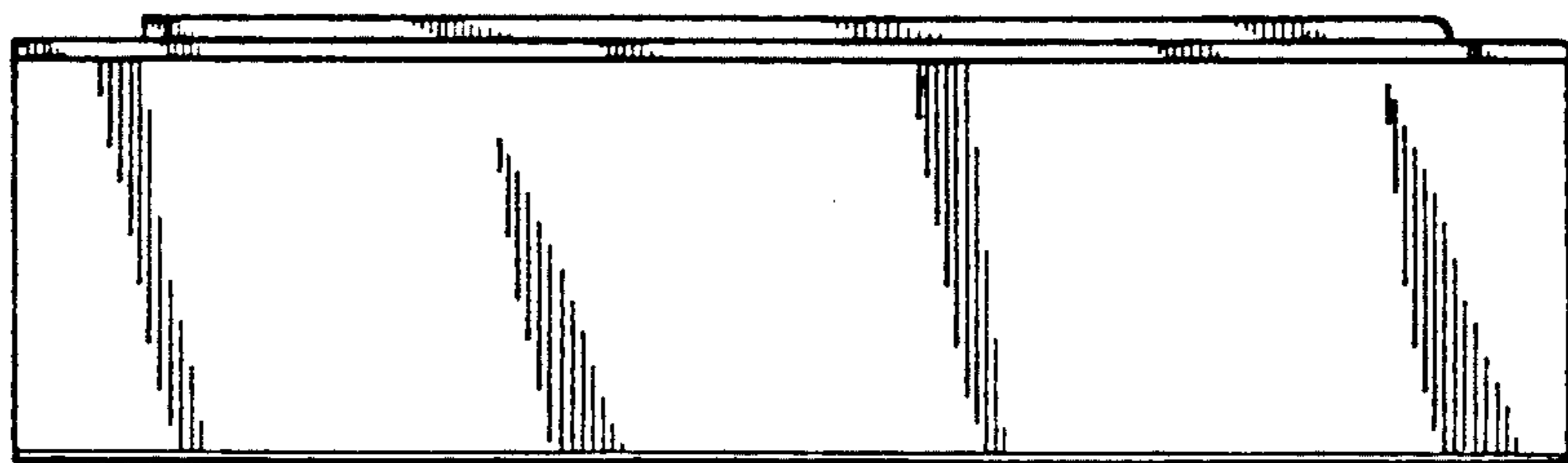


Fig. 6

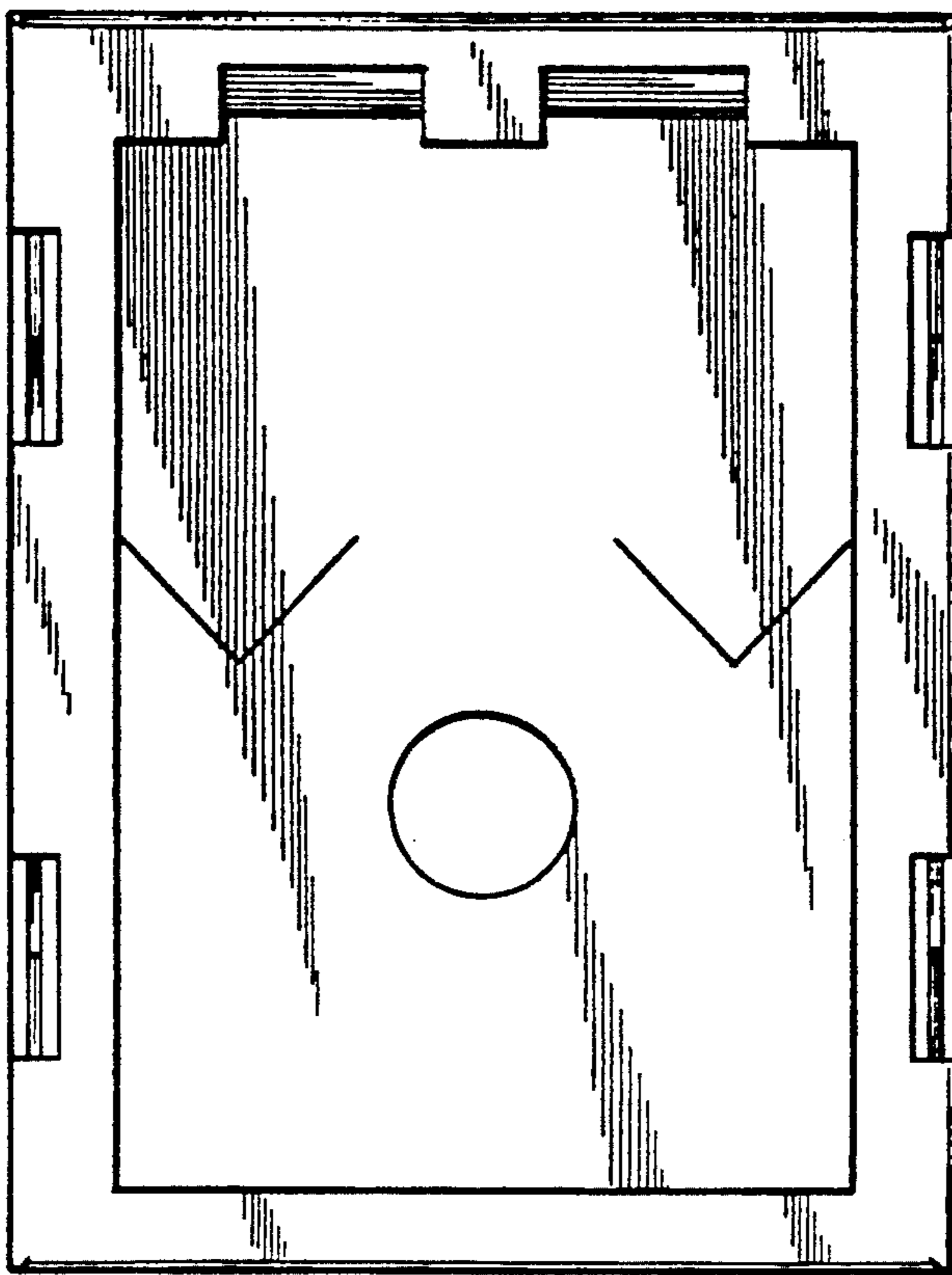


Fig. 7

