



US00D336906S

# United States Patent [19]

[11] Patent Number: **Des. 336,906**

Stackhouse et al.

[45] Date of Patent: **\*\* Jun. 29, 1993**

[54] **HOT MELT GLUE POT**

[75] Inventors: **Jo Anne M. Stackhouse; James L. Williams**, both of Glendale; **Marlyss Ward**, Wolf Creek, all of Oreg.

[73] Assignee: **Wolf Creek and Company**, Wolf Creek, Oreg.

[\*\*] Term: **14 Years**

[21] Appl. No.: **770,965**

[22] Filed: **Oct. 4, 1991**

[52] U.S. Cl. .... **D15/144**

[58] Field of Search ..... **D7/409; D15/144, 144.1, D15/144.2; 118/202, 221, 223, 400, 407, 500, 501; 156/538, 578, 579; 222/275, 597, 598, 599, 600, 601, 602, 603, 604, 605; 493/132**

[56] **References Cited**

**U.S. PATENT DOCUMENTS**

- D. 175,919 10/1955 Trickle, Jr. .... D15/144.2
- D. 179,334 11/1956 Webster ..... D15/144.2
- D. 215,448 9/1969 Knowles ..... D15/144.2
- 963,892 7/1910 Haskins .

- 1,087,595 2/1914 Kuhn .
- 1,521,031 12/1924 MacFarland .
- 2,160,227 5/1939 Platt .
- 2,180,602 11/1939 Morgan .
- 2,190,135 2/1940 Morgan et al. .

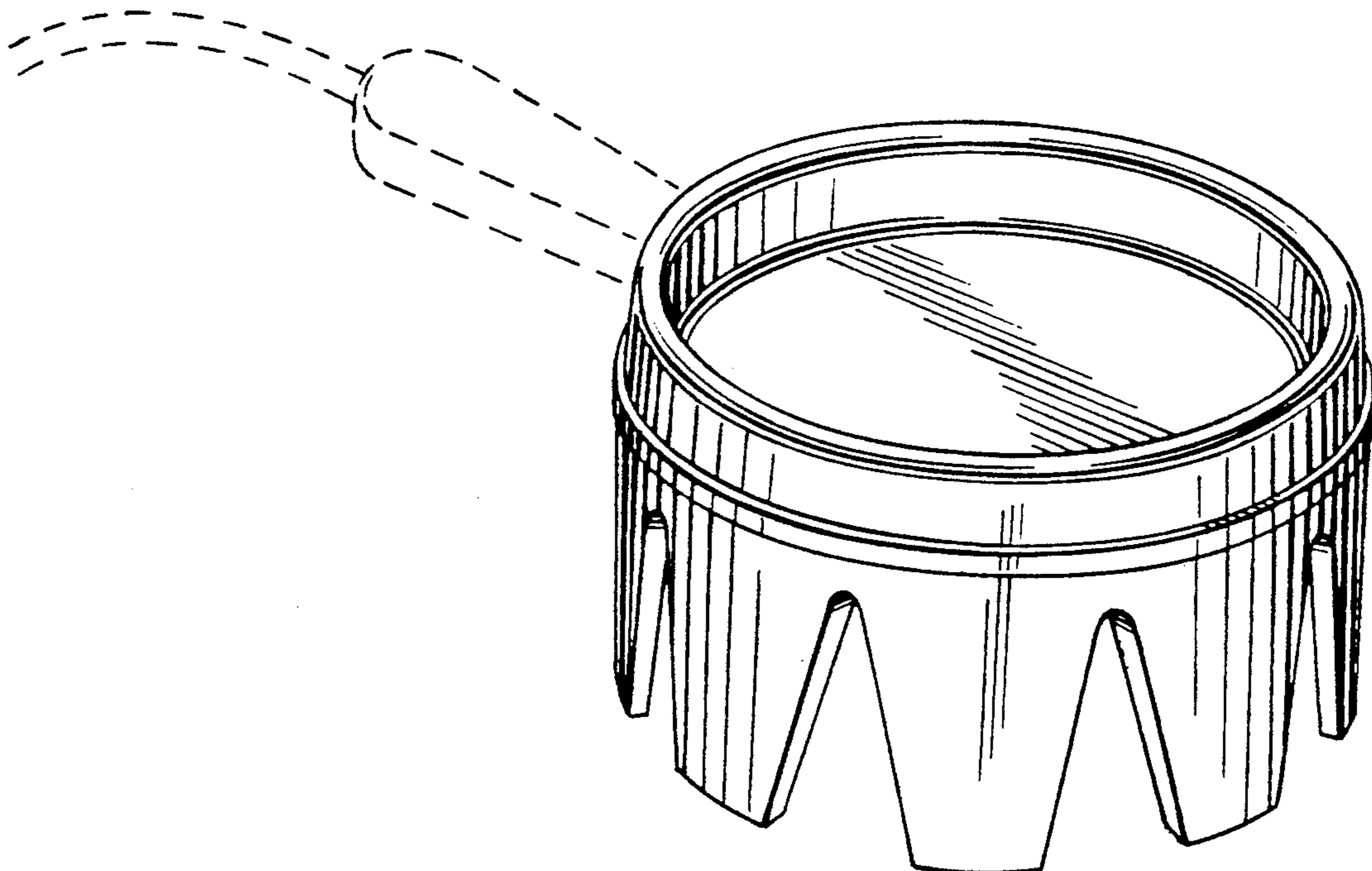
*Primary Examiner*—Nelson C. Holtje  
*Assistant Examiner*—A. D. Davis  
*Attorney, Agent, or Firm*—Jacobson, Price, Holman & Stern

[57] **CLAIM**

The ornamental design for hot melt glue pot, as shown and described.

**DESCRIPTION**

FIG. 1 is a top perspective view of a hot melt glue pot showing our new design; FIG. 2 is a bottom plan view thereof; FIG. 3 is a left side elevational view thereof, the right side being a mirror image thereof; and, FIG. 4 is a rear elevational view thereof. The broken line showing of both a partially and fully depicted handle and partial cord element are for illustrative purposes only and form no part of the claimed design.



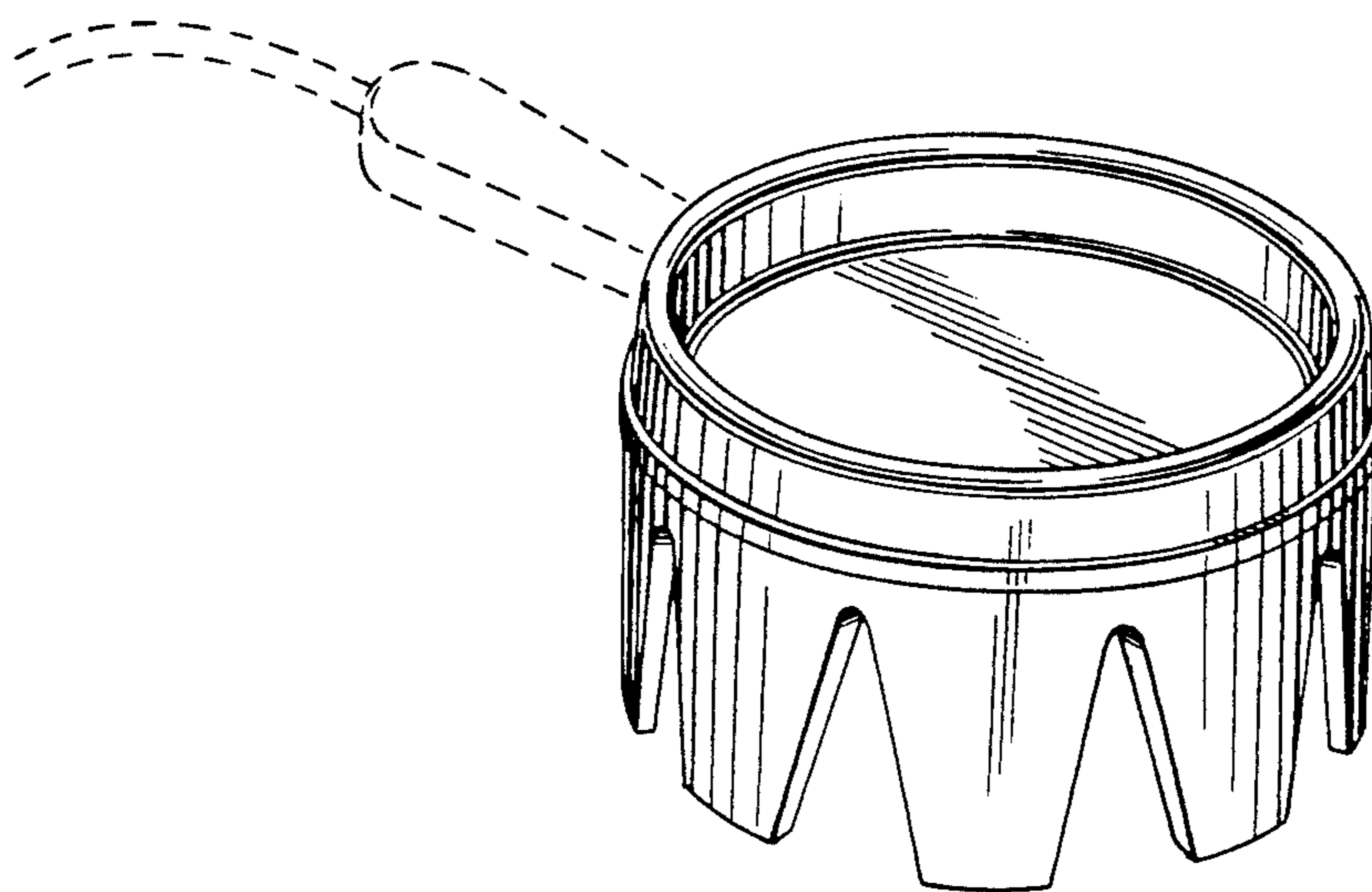


FIG. 1

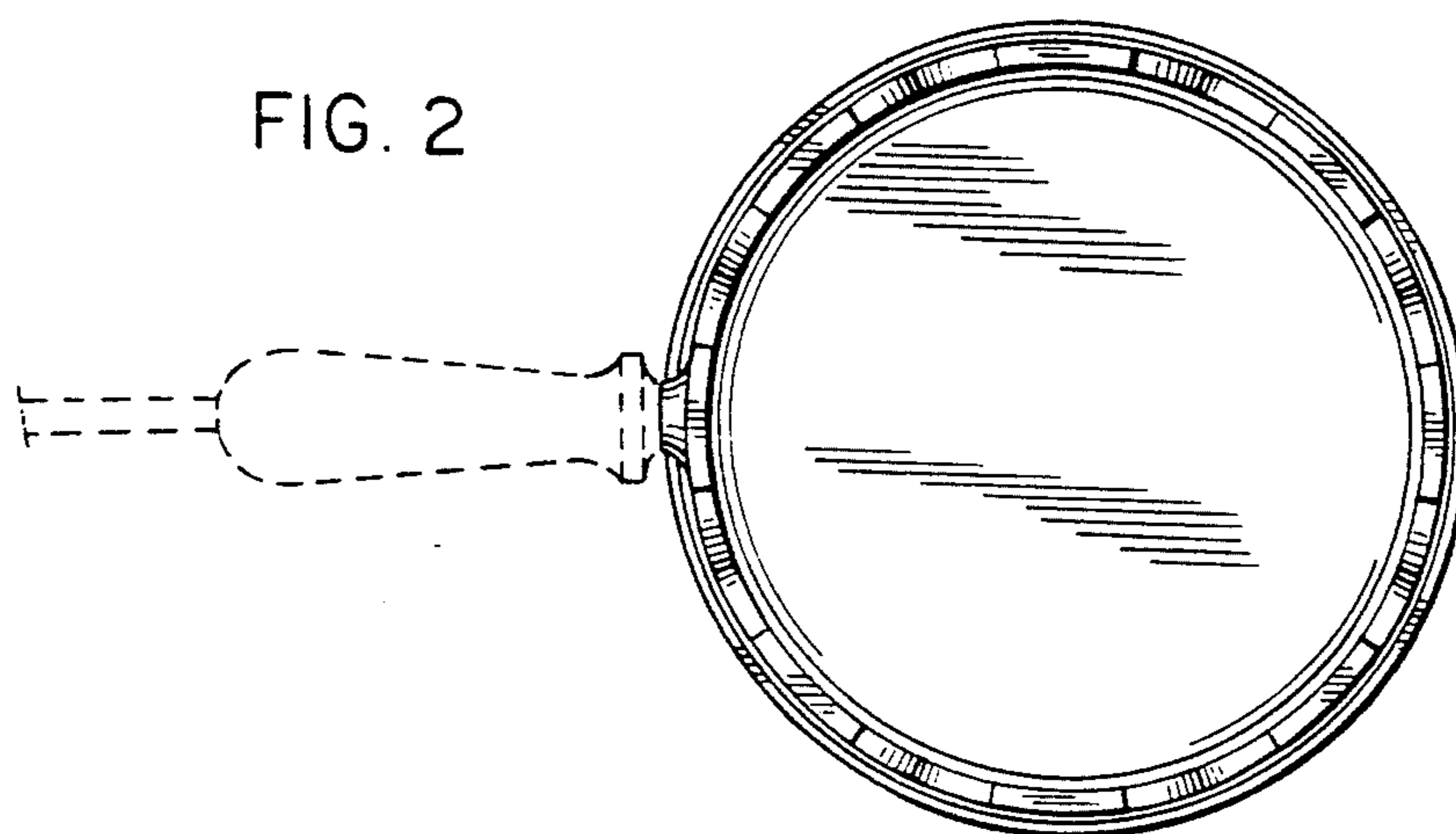


FIG. 2

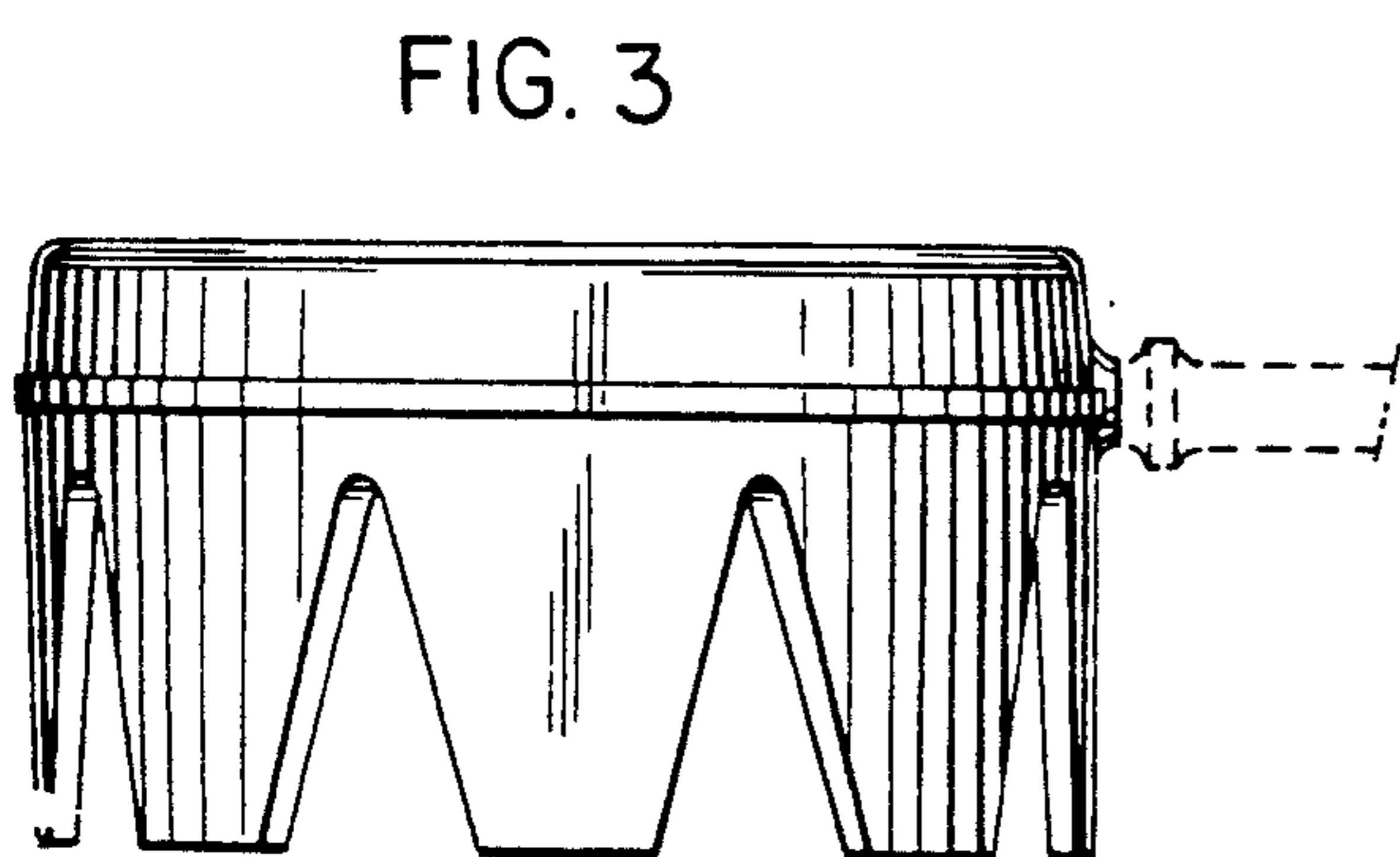


FIG. 3

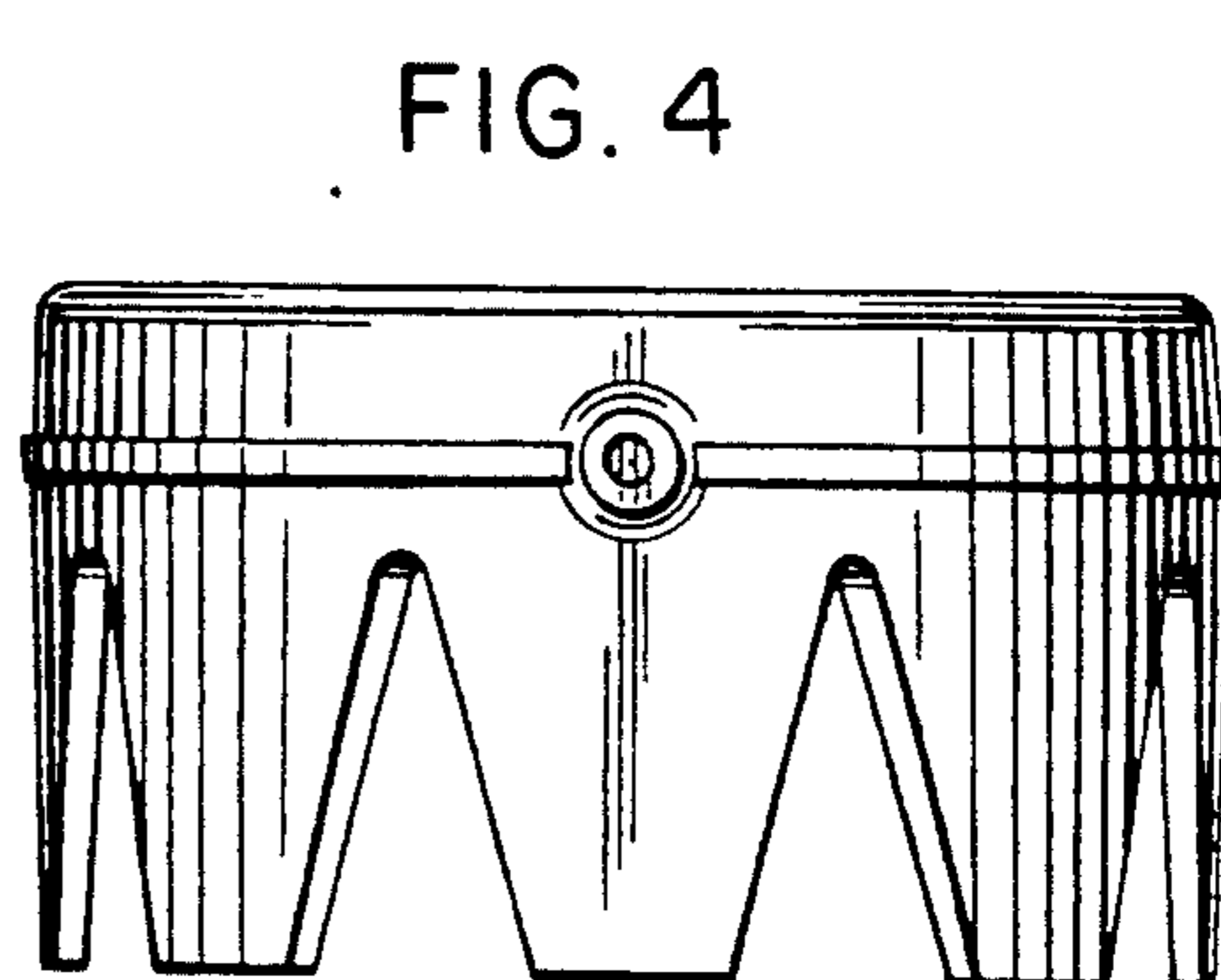


FIG. 4