



US00D336902S

United States Patent [19]

[11] Patent Number: Des. 336,902

Horikiri

[45] Date of Patent: ** Jun. 29, 1993

[54] VIDEO TAPE CASSETTE

D. 304,582 11/1989 Nakaizumi D14/121
D. 304,583 11/1989 Nakaizumi D14/121

[75] Inventor: Kazuhisa Horikiri, Kanagawa, Japan

Primary Examiner—Theodore M. Shooman
Attorney, Agent, or Firm—Young & Thompson

[73] Assignee: Fuji Photo Film Co., Ltd., Kanagawa, Japan

[57] CLAIM

[**] Term: 14 Years

The ornamental design for a video tape cassette, as shown and described.

[21] Appl. No.: 802,251

[22] Filed: Dec. 9, 1991

DESCRIPTION

[30] Foreign Application Priority Data

Jul. 8, 1991 [JP] Japan 03-20361

[52] U.S. Cl. D14/121

[58] Field of Search D14/114, 120-122,
D14/299; 242/55, 19 A, 197-200; 273/DIG.
28, 85 G

FIG. 1 is a top, side and rear perspective view of a video tape cassette showing my new design;
FIG. 2 is a top plan view thereof;
FIG. 3 is a bottom plan view thereof;
FIG. 4 is a front elevational view thereof;
FIG. 5 is a rear elevational view thereof;
FIG. 6 is a side elevational view thereof from the left of FIG. 2;
FIG. 7 is a side elevational view thereof from the right of FIG. 2; and,
FIG. 8 is a view thereof similar to FIG. 1 but showing the top cover open.

[56] References Cited

U.S. PATENT DOCUMENTS

D. 271,392 11/1983 Sumisha et al. D14/121

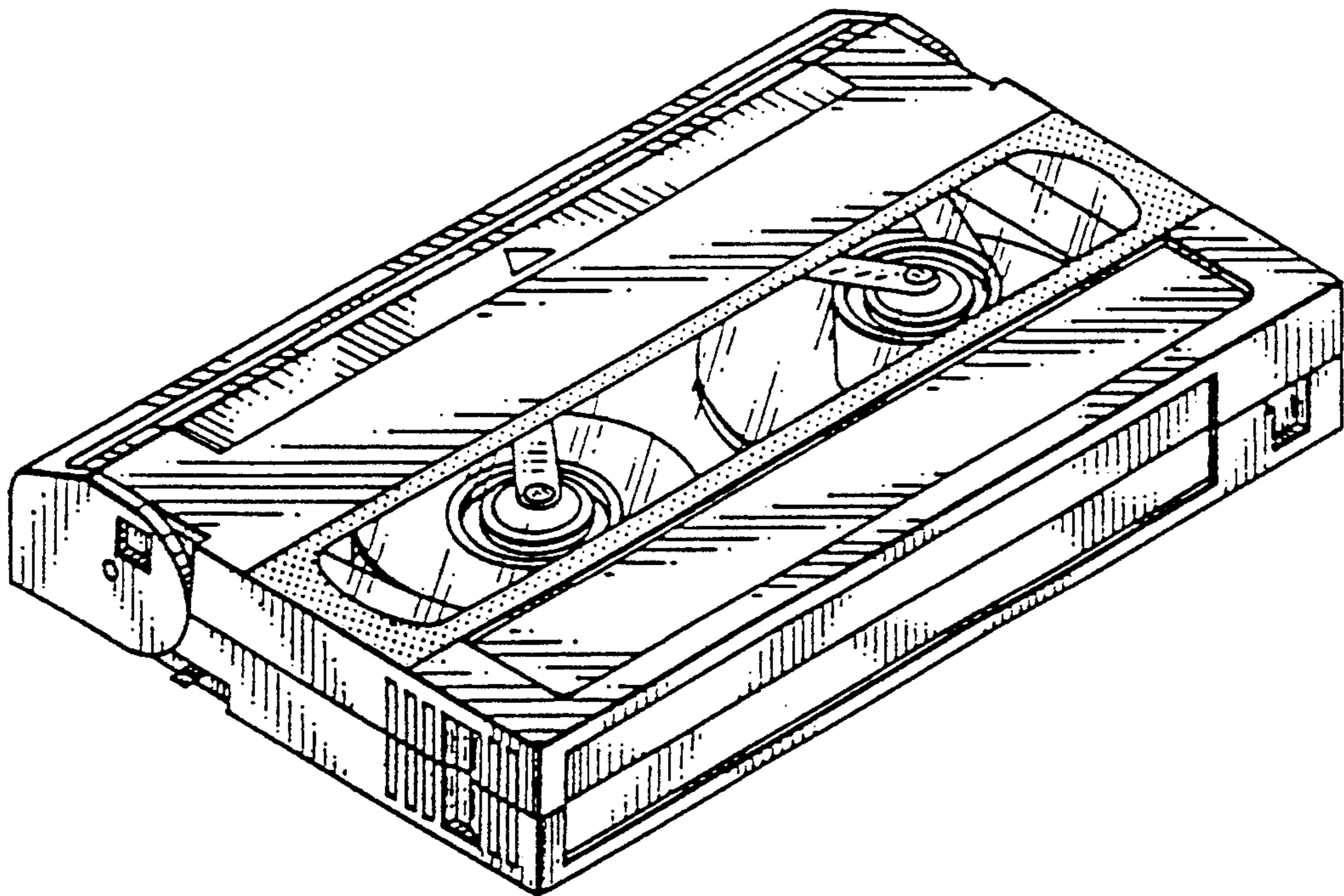


FIG. 1

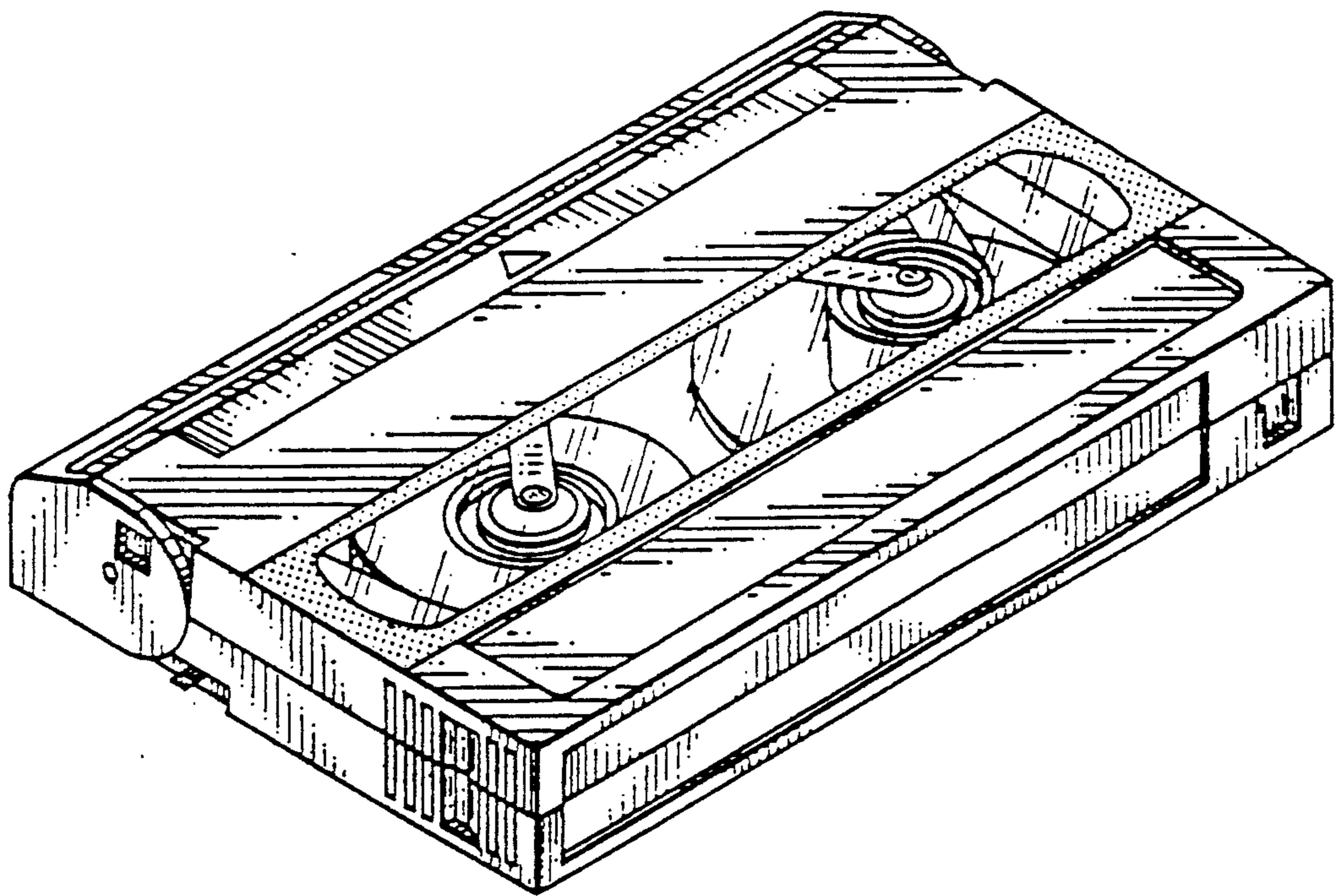


FIG. 2

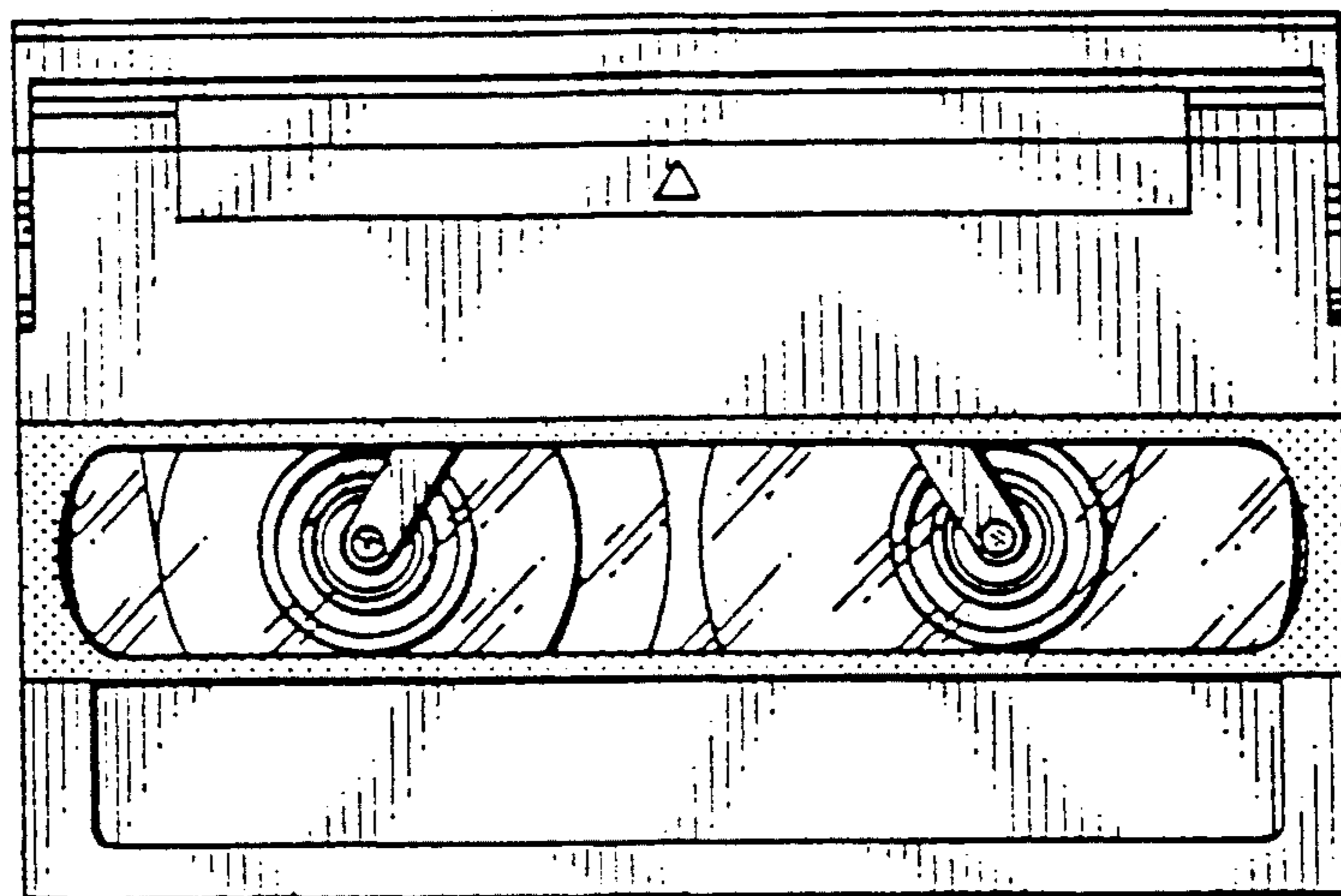


FIG. 3

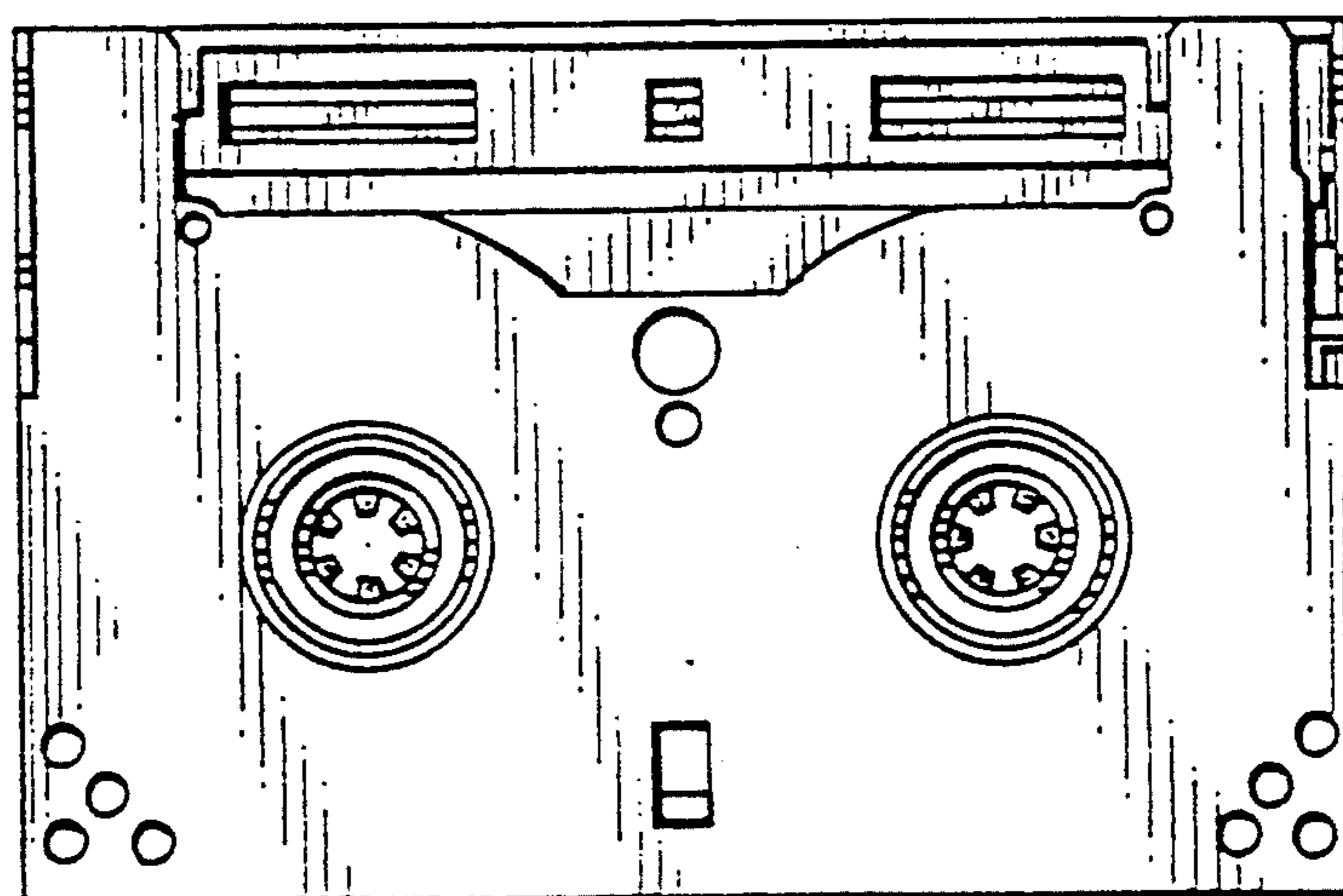


FIG. 4



FIG. 5

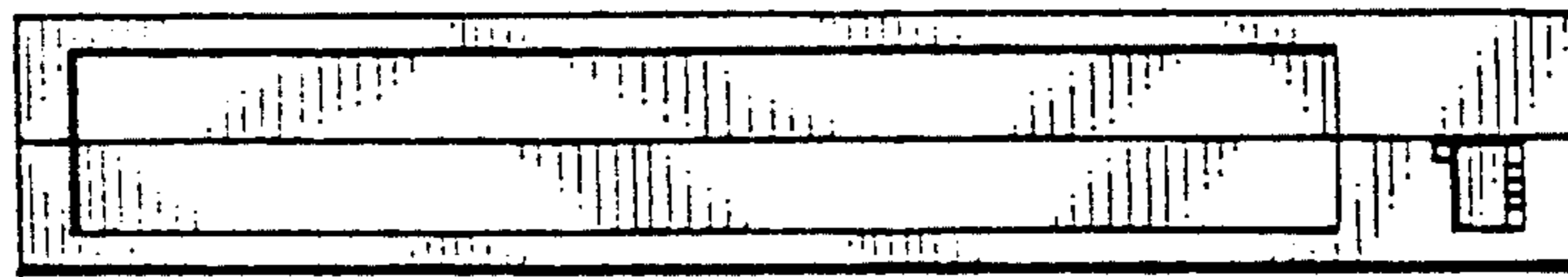


FIG. 6



FIG. 7



FIG. 8

