



US00D336901S

# United States Patent [19]

[11] Patent Number: **Des. 336,901**

Jaeb et al.

[45] Date of Patent: **\*\* Jun. 29, 1993**

- [54] **COMBINED COMPUTER BEZEL AND DISPLAY WINDOW**
- [75] Inventors: **Michael S. Jaeb, Wakefield; Scott Stropkay, Salem, both of Mass.**
- [73] Assignee: **Leading Technology, Inc., Beaverton, Oreg.**
- [\*\*] Term: **14 Years**
- [21] Appl. No.: **672,619**
- [22] Filed: **Mar. 20, 1991**
- [52] U.S. Cl. .... **D14/115**
- [58] Field of Search ..... **D14/100, 102, 101, 115; D13/184, 199; 361/390-395; 358/249, 254**

*Primary Examiner*—Wallace R. Burke  
*Assistant Examiner*—Freda S. Nunn  
*Attorney, Agent, or Firm*—Dick and Harris

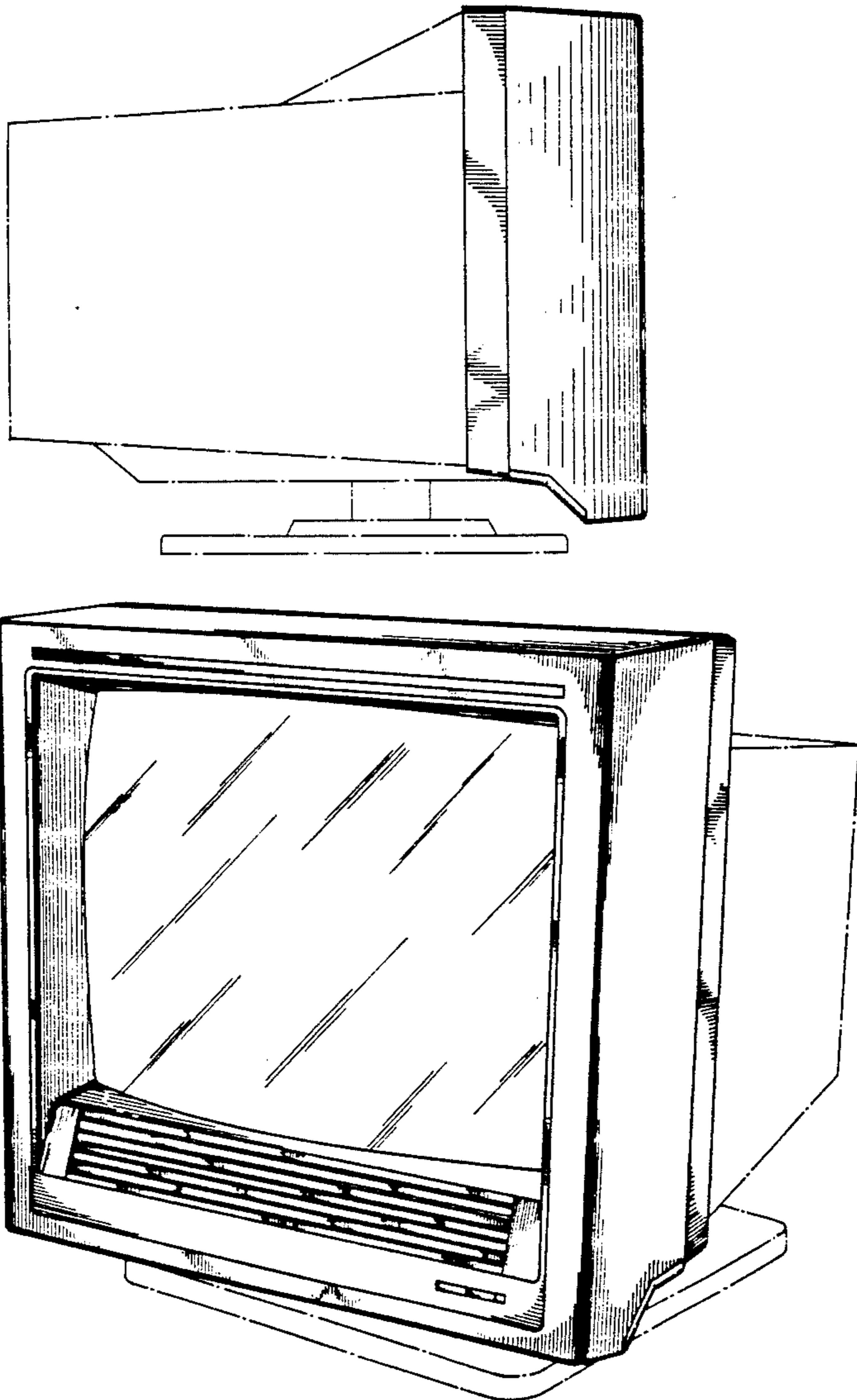
### [57] CLAIM

The ornamental design for a combined computer bezel and display window, as shown and described.

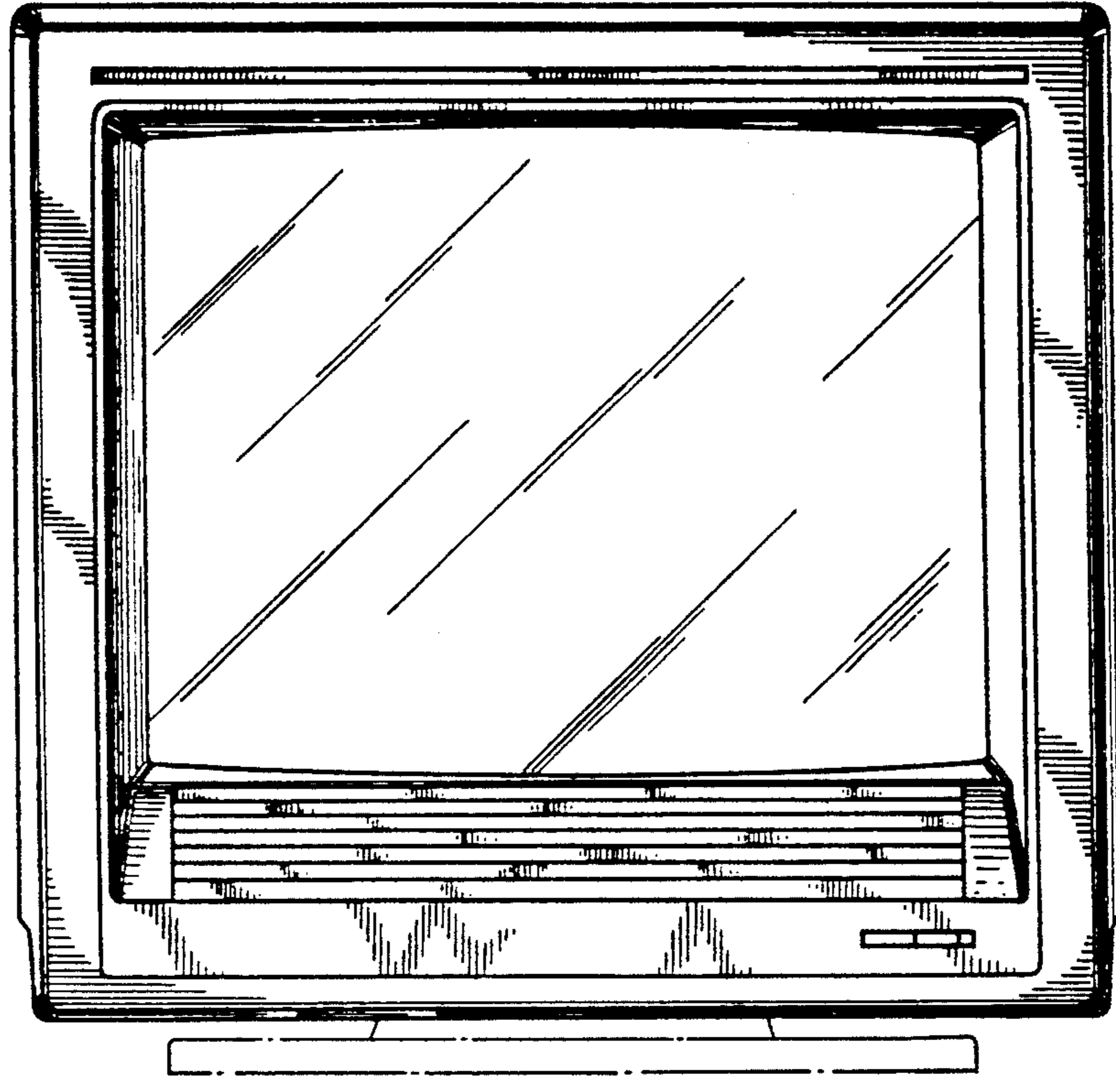
### DESCRIPTION

FIG. 1 is a front elevational view of combined computer bezel and display window showing our new design;  
 FIG. 2 is a rear elevational view thereof;  
 FIG. 3 is a left side elevational view thereof;  
 FIG. 4 is a right side elevational view thereof;  
 FIG. 5 is a top plan view thereof;  
 FIG. 6 is a bottom plan view thereof; and,  
 FIG. 7 is an enlarged perspective view thereof.  
 The broken lines in FIGS. 1-7 are for illustrative purposes only and form no part of the claimed design.

- [56] **References Cited**
- U.S. PATENT DOCUMENTS**
- D. 291,086 7/1987 Price ..... D14/115
- D. 312,078 11/1990 Kemp ..... D14/115



*Fig 1*



*Fig 2*

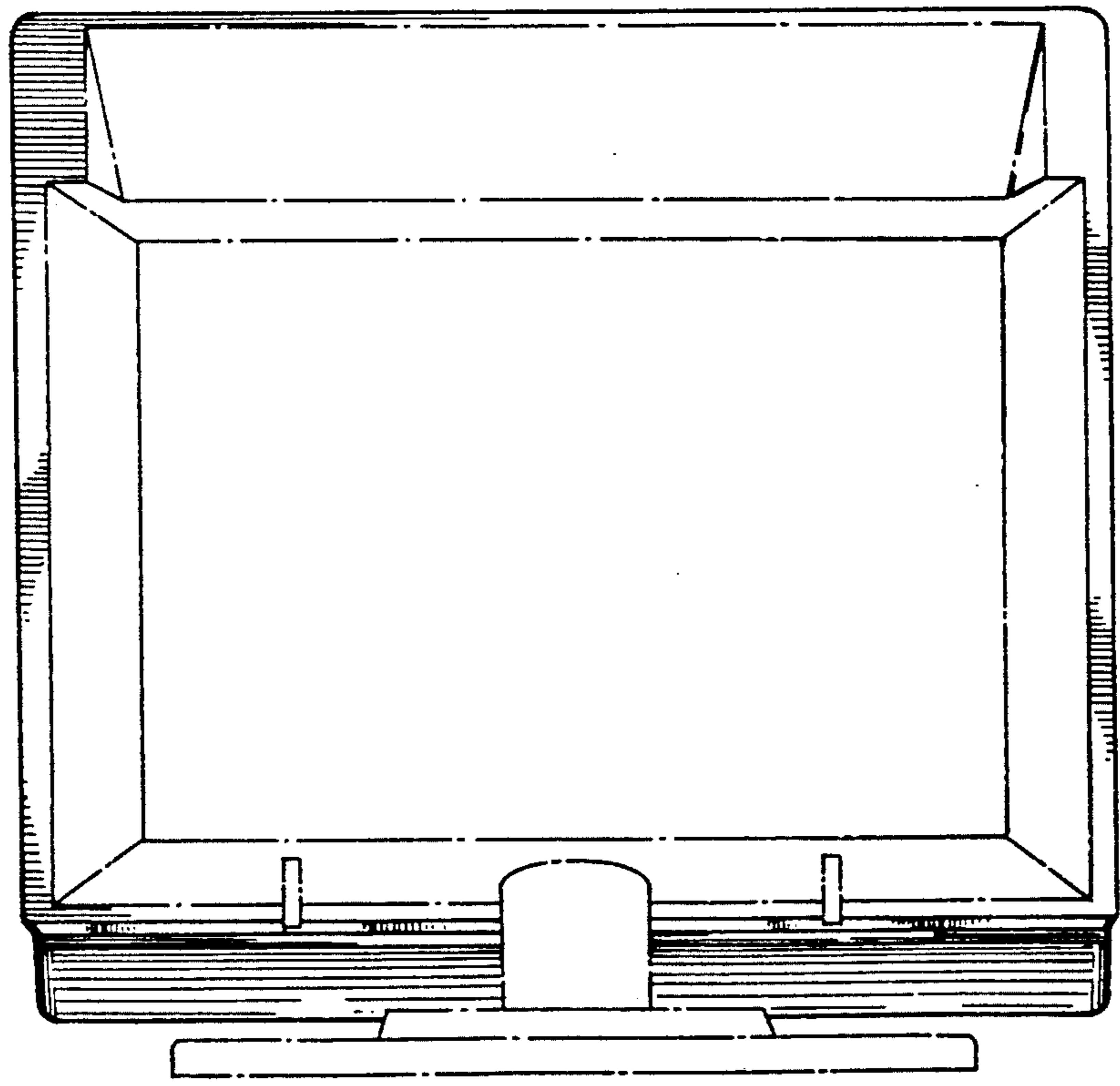


Fig 3

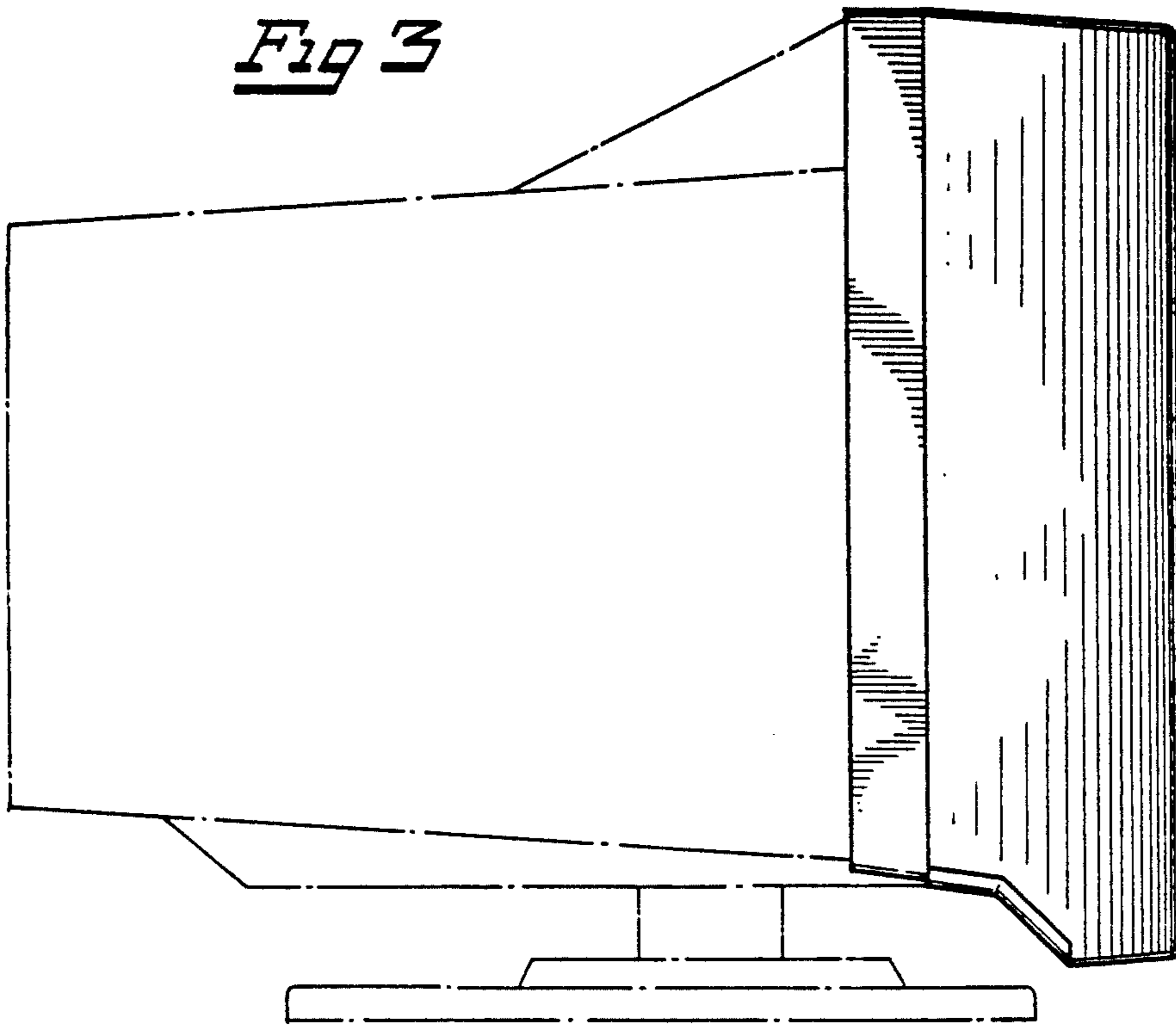


Fig 4

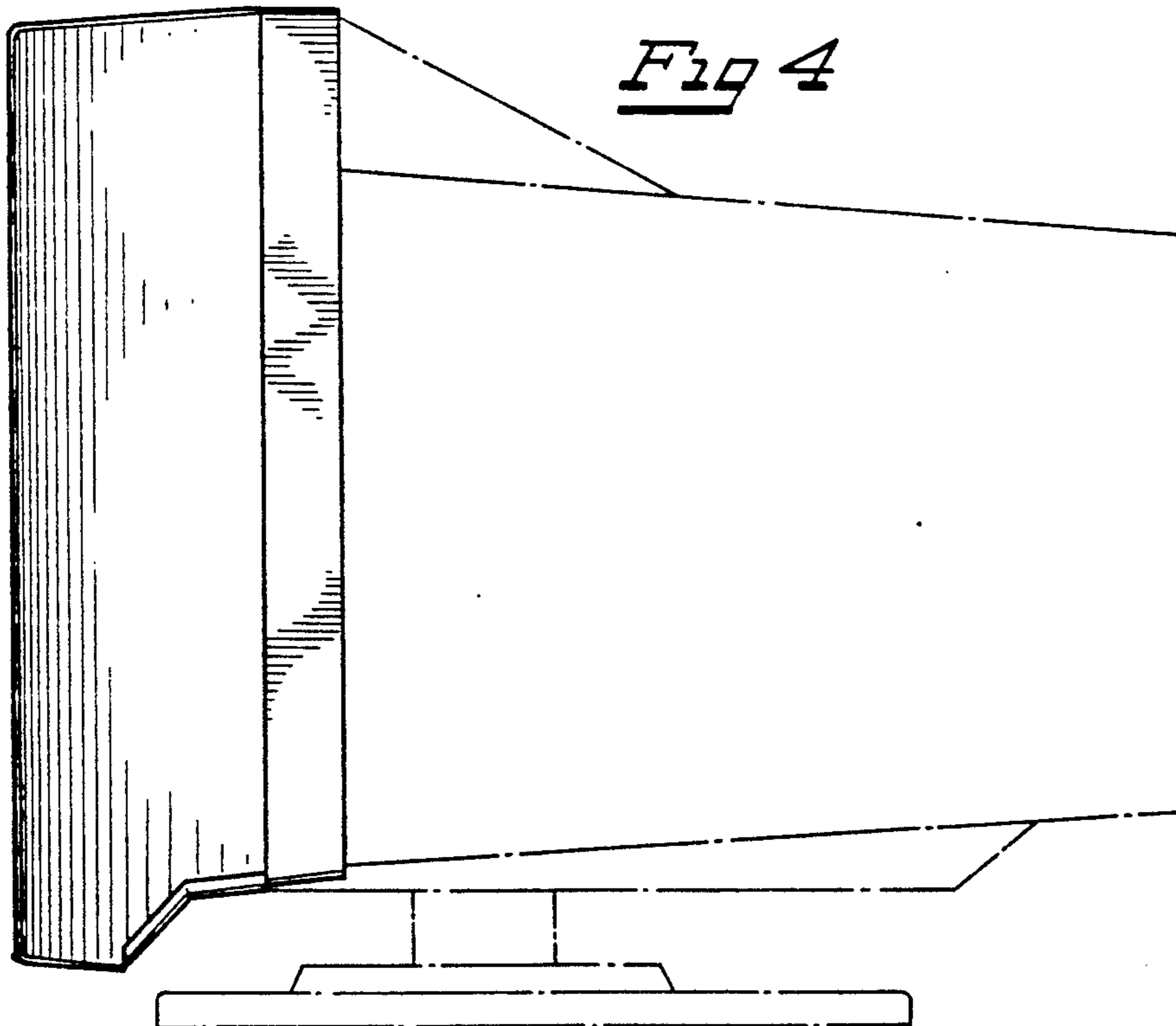


Fig 5

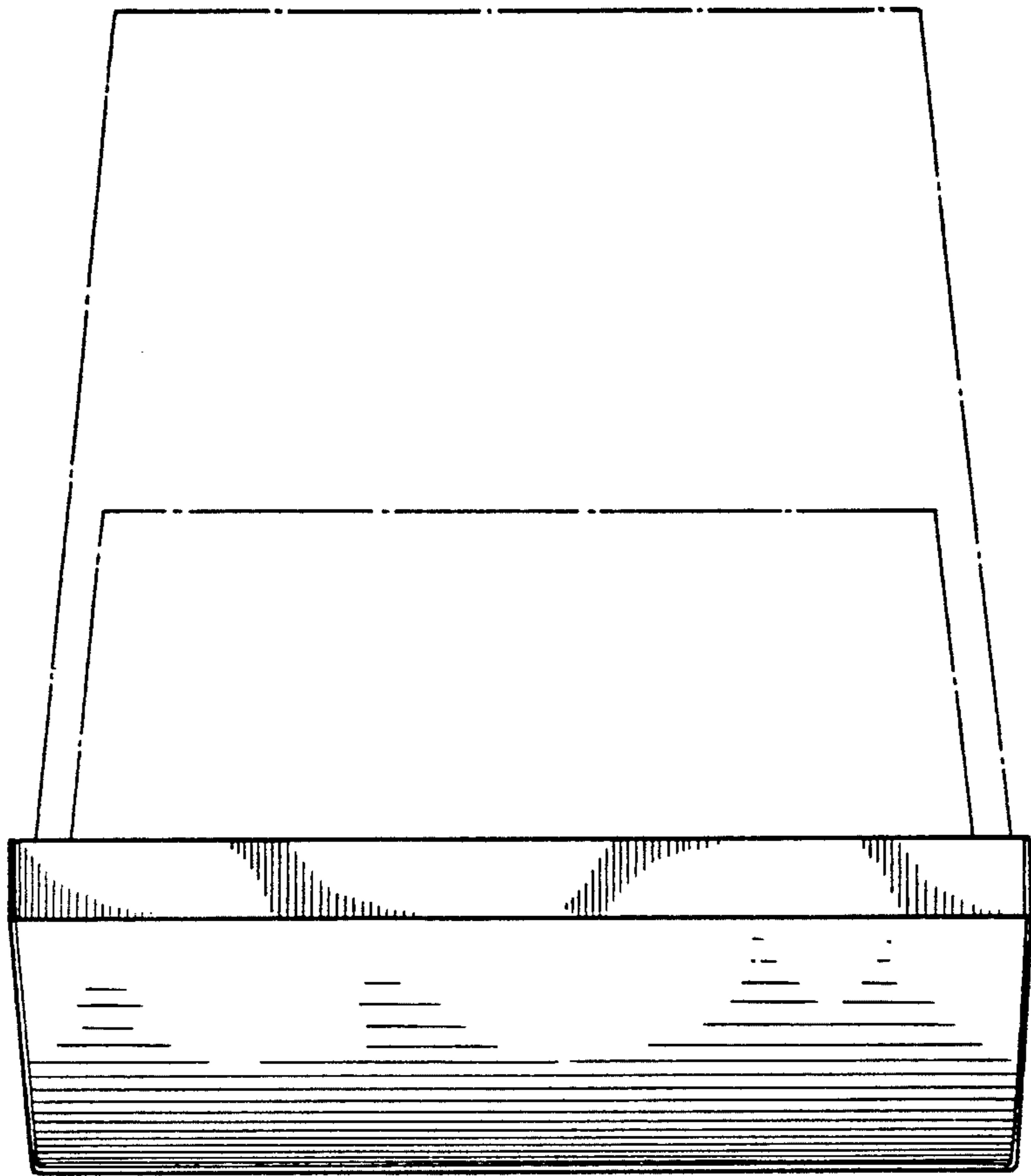
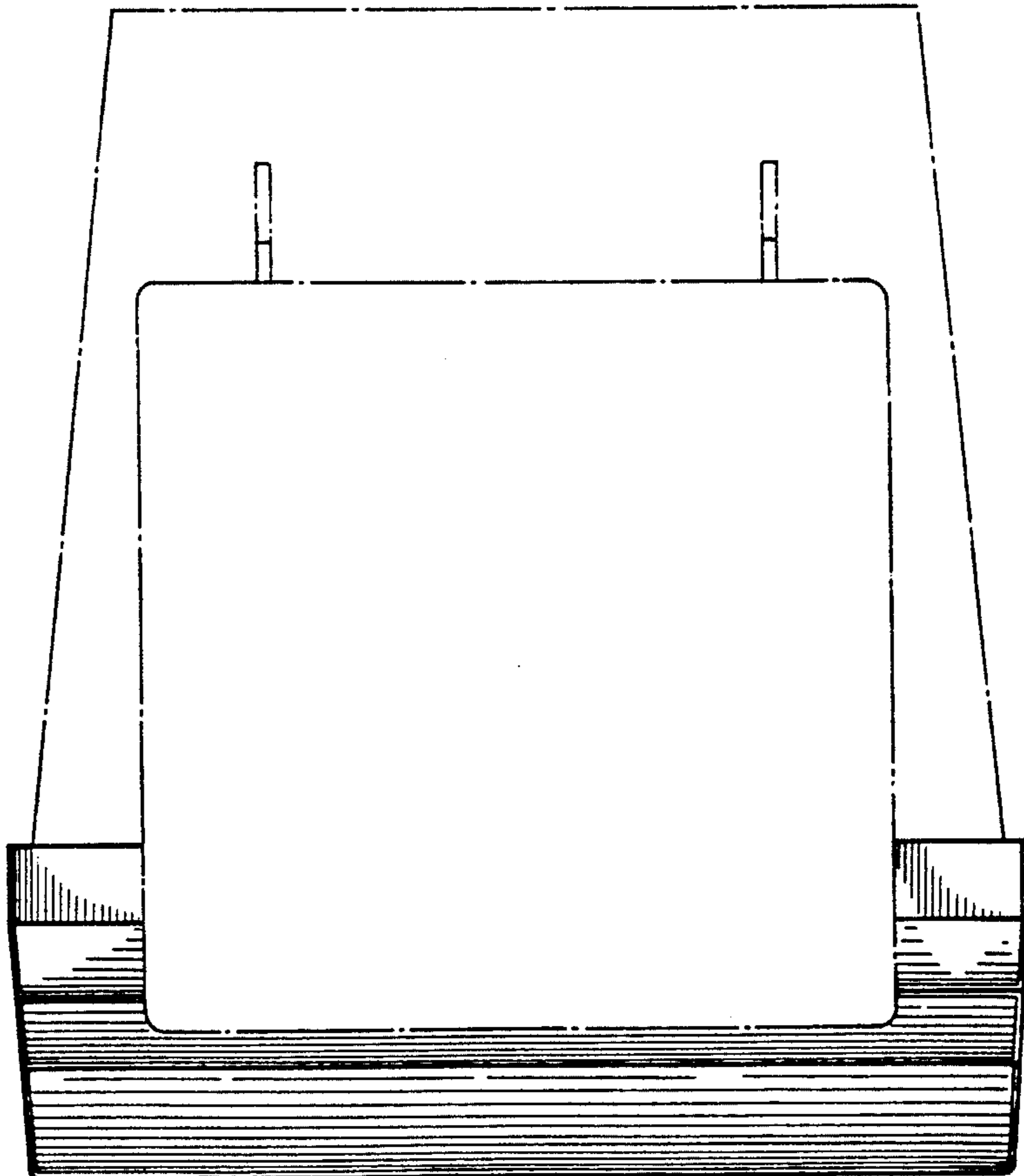


Fig 6



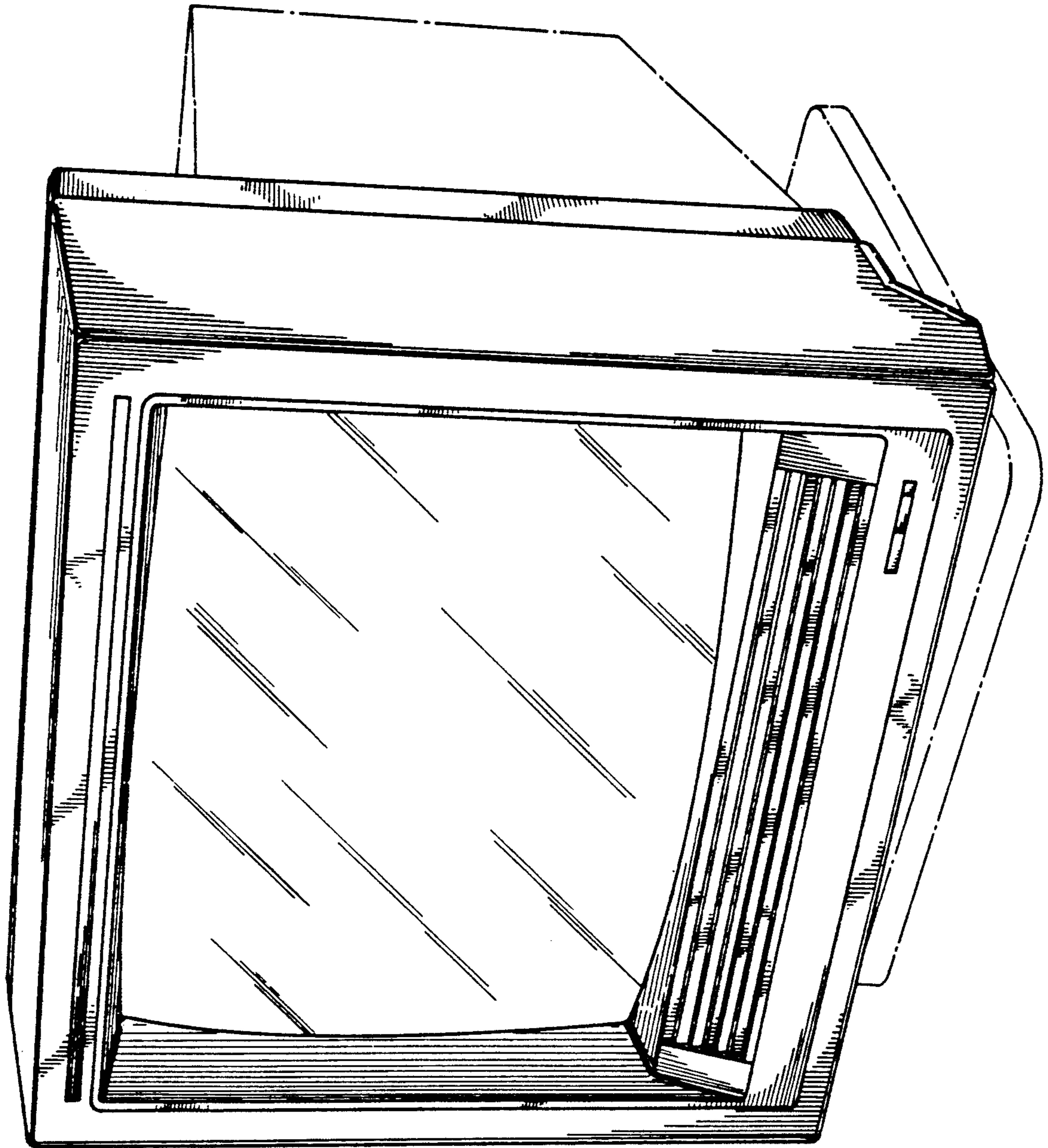


FIG 7