



US00D336899S

United States Patent [19]
England

[11] **Patent Number: Des. 336,899**

[45] **Date of Patent: ** Jun. 29, 1993**

[54] **COMBINED LIGHT PEN AND SCREEN FOR THE COMPOSITION OF MUSIC, TONES OR AUDIO FREQUENCIES**

[76] **Inventor: Anthony B. England, P.O. Box 278251, Riverdale, Ill. 60627**

[**] **Term: 14 Years**

[21] **Appl. No.: 755,358**

[22] **Filed: Sep. 5, 1991**

[52] **U.S. Cl. D14/114**

[58] **Field of Search D14/100, 114, 154, 167-168; D21/48; 178/18-19; 200/5 R, 5 A, 6 R, 6 A; 340/706-707, 709-710; 346/139 C; 273/148 B; 74/471 XY**

[56] **References Cited**

U.S. PATENT DOCUMENTS

D. 298,233	10/1988	Weisz et al.	D14/154
D. 307,134	4/1990	Makidera	D14/114 X
D. 313,409	1/1991	Chowdhree et al.	D14/114
D. 317,151	5/1991	Daly	D14/114 X
4,973,800	11/1990	Sindeband et al.	178/18
5,101,081	3/1992	Drumm	178/18

Primary Examiner—Wallace R. Burke
Assistant Examiner—M. H. Tung
Attorney, Agent, or Firm—Richard C. Litman

[57] **CLAIM**

The ornamental design for a combined light pen and screen for the composition of music, tones or audio frequencies, as shown and described.

DESCRIPTION

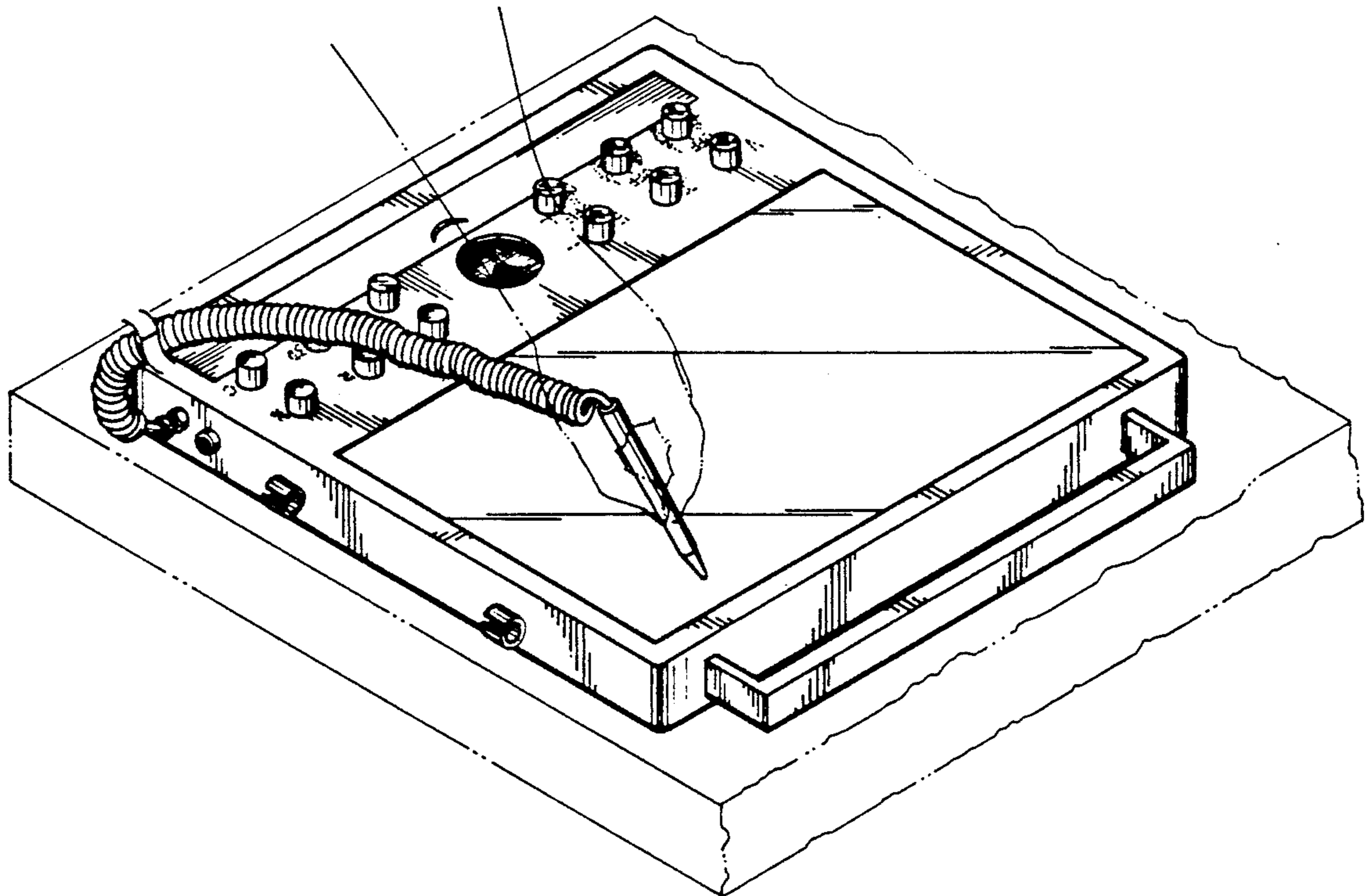
FIG. 1 is a front, right side and top environmental perspective view of a combined light pen and screen for the composition of music, tones or audio frequencies showing my new design, the portion of the figure shown in broken lines representing the hand of a user of the device and table and forming no part of the claimed design;

FIG. 2 is a top plan view thereof, the bottom plan view being plain and unornamented with the exception of the features extending from the edges of the design;

FIG. 3 is a right edge elevational view thereof, the left edge elevational view being a mirror image with the exception of the features extending from the right edge; and,

FIG. 4 is a front elevational view thereof, the rear elevational view being a mirror image with the exception of the handle.

The pen is shown in its stored position in FIGS. 2 and 3, and removed from the storage clips in FIGS. 1 and 4. The cord element is shown broken and indicating an indeterminate length in each of the drawing figures for greater clarity in the drawings.



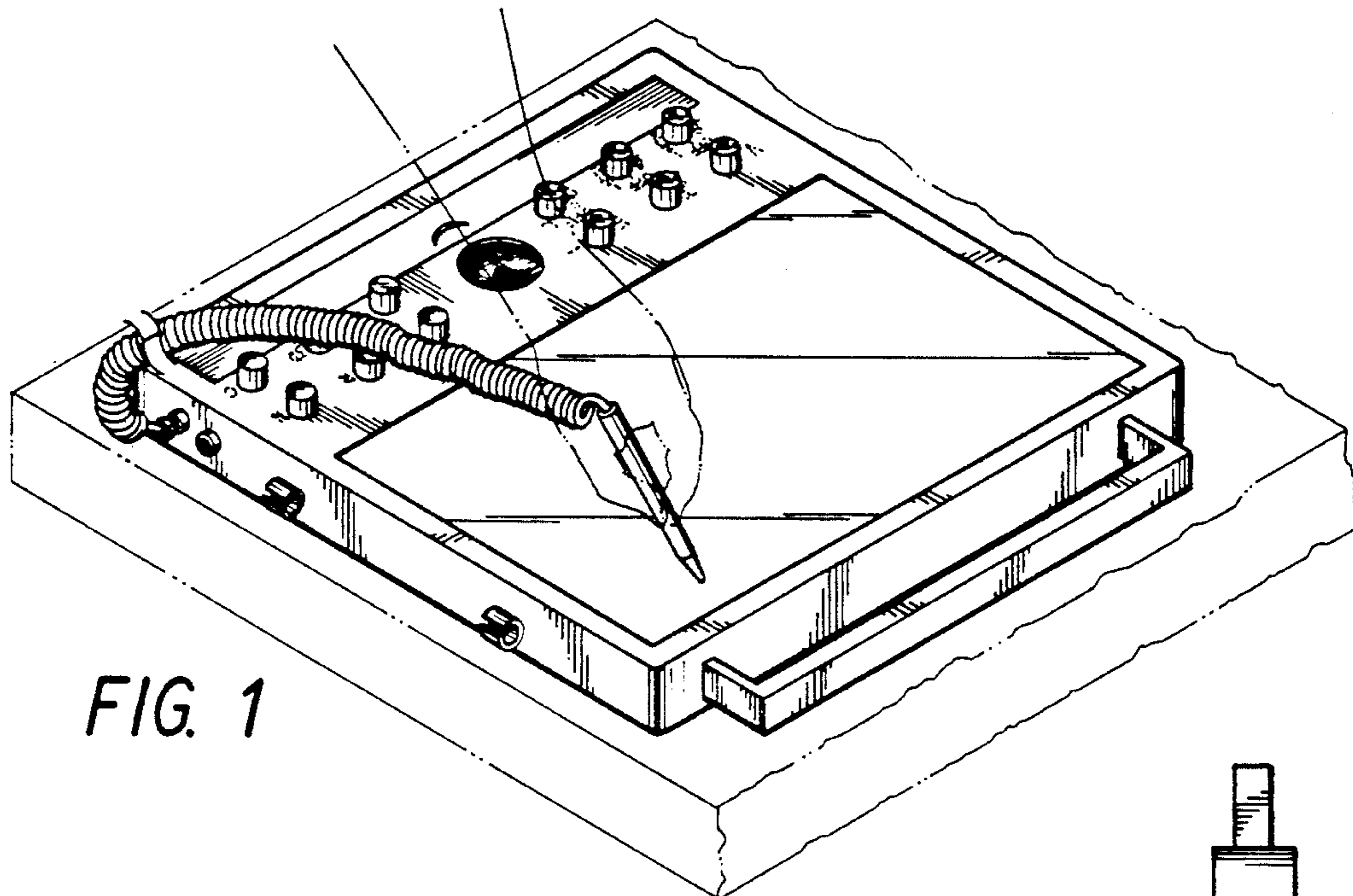


FIG. 1

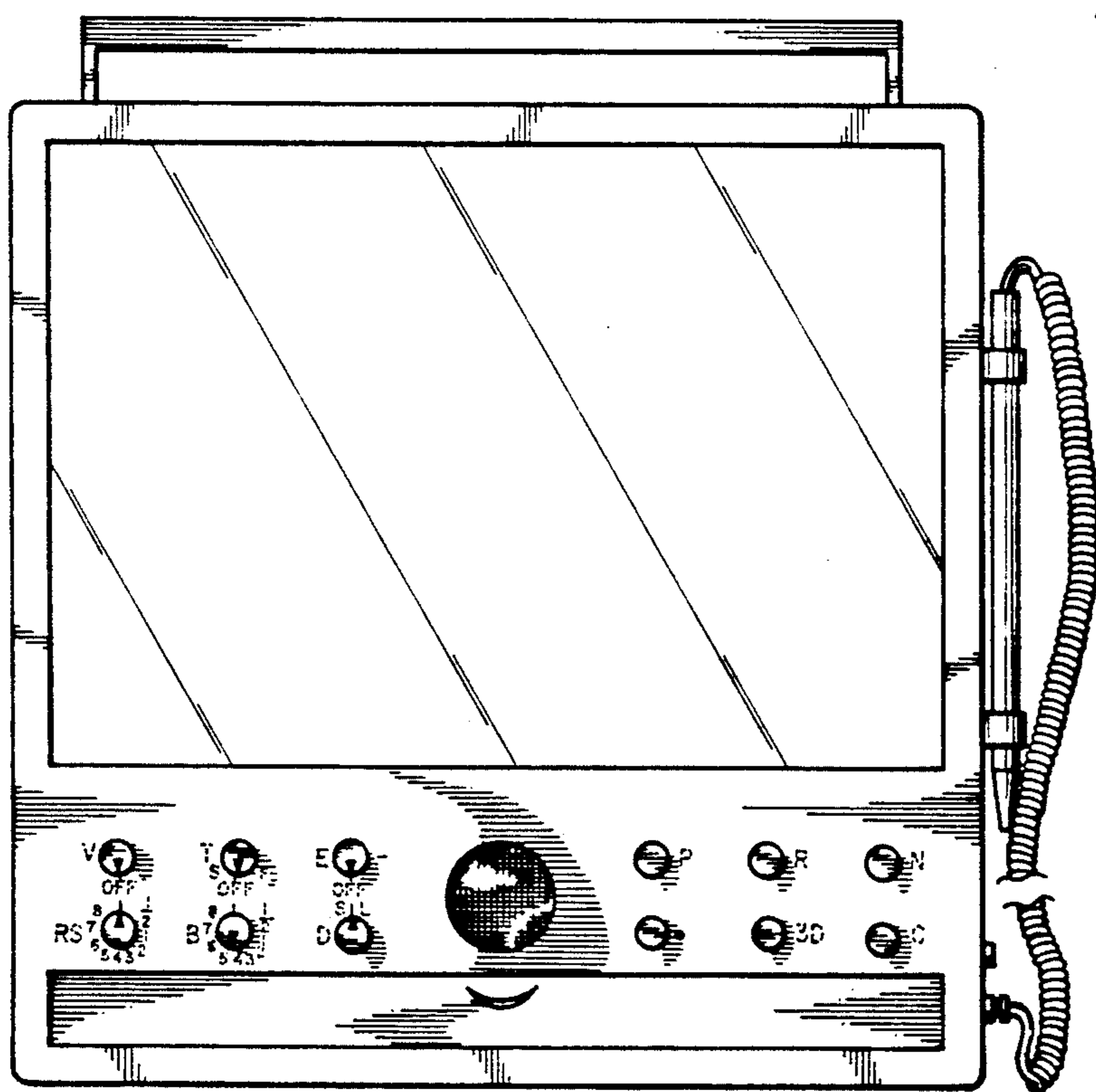


FIG. 2

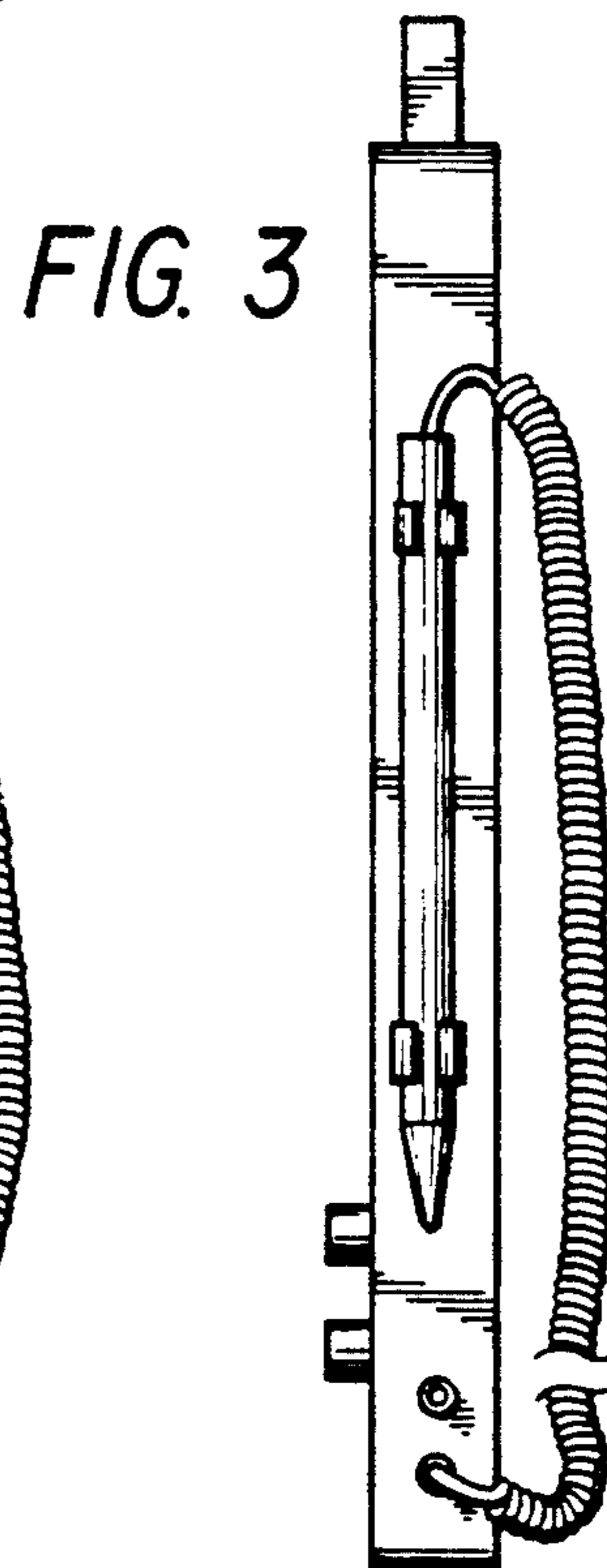


FIG. 3

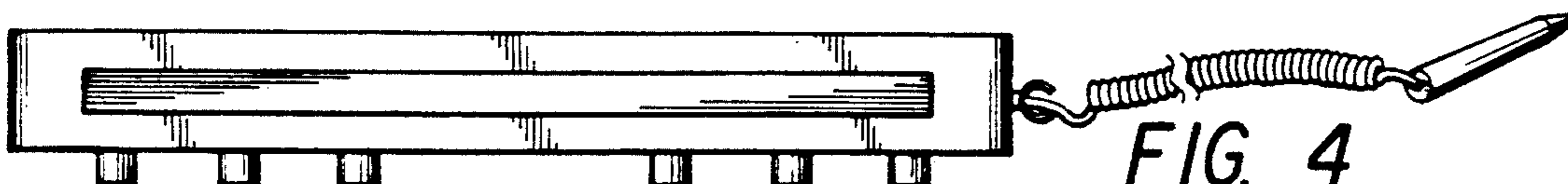


FIG. 4