



US00D336897S

United States Patent [19]

[11] Patent Number: Des. 336,897

Trappett

[45] Date of Patent: ** Jun. 29, 1993

[54] MICROWAFER SYSTEM FOR PROCESSING AND STORING AUDIO VISUAL INFORMATION

[76] Inventor: Michael P. Trappett, 47 S. 600 East, Hyrum, Utah 84319

[**] Term: 14 Years

[21] Appl. No.: 543,573

[22] Filed: Jun. 26, 1990

[52] U.S. Cl. D14/107

[58] Field of Search D14/100, 107, 114, 124; D13/123, 162, 182; 361/380, 383, 386, 392, 342, 393; 369/103

[56] References Cited

U.S. PATENT DOCUMENTS

D. 288,922	3/1987	Olla	D13/182
3,949,235	4/1976	Miyazaki	250/578
4,111,519	9/1978	Gillis	350/3.66
4,420,829	12/1983	Carlson	369/103
4,506,238	3/1985	Endoh et al.	361/380
4,519,658	5/1985	Biswas	361/393 X
4,882,656	11/1989	Menzies, Jr. et al.	361/393
4,943,891	7/1990	Ouellette	361/380 X

OTHER PUBLICATIONS

Design News. Dec. 3, 1984 p. 111 (Hitachi) D13-99.

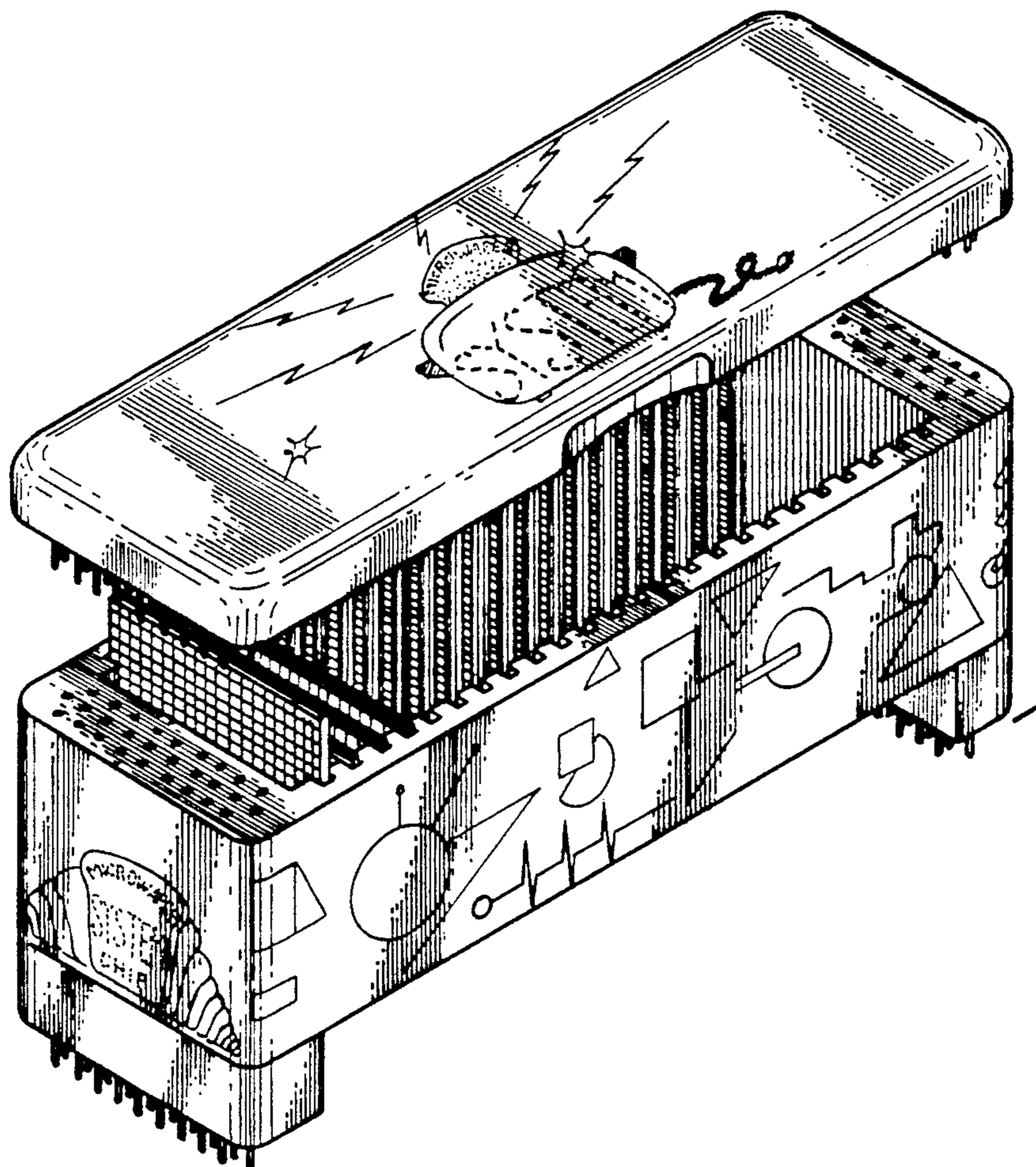
Primary Examiner—Wallace R. Burke
Assistant Examiner—Freda S. Nunn
Attorney, Agent, or Firm—Terry M. Gernstein

[57] CLAIM

The ornamental design for a microwafer system for processing and storing audio visual information, as shown and described.

DESCRIPTION

FIG. 1 is an exploded perspective view of a microwafer system for processing and storing audio visual information showing my new design; FIG. 2 is a top plan view thereof; FIG. 3 is an exploded front elevational view thereof, the rear elevational view being identical in appearance; FIG. 4 is a bottom plan view thereof; and, FIG. 5 is an end elevational view thereof, the opposite end elevational view being identical in appearance. The broken lines shown in the views are shown for illustrative purposes only and form no part of the claimed design.



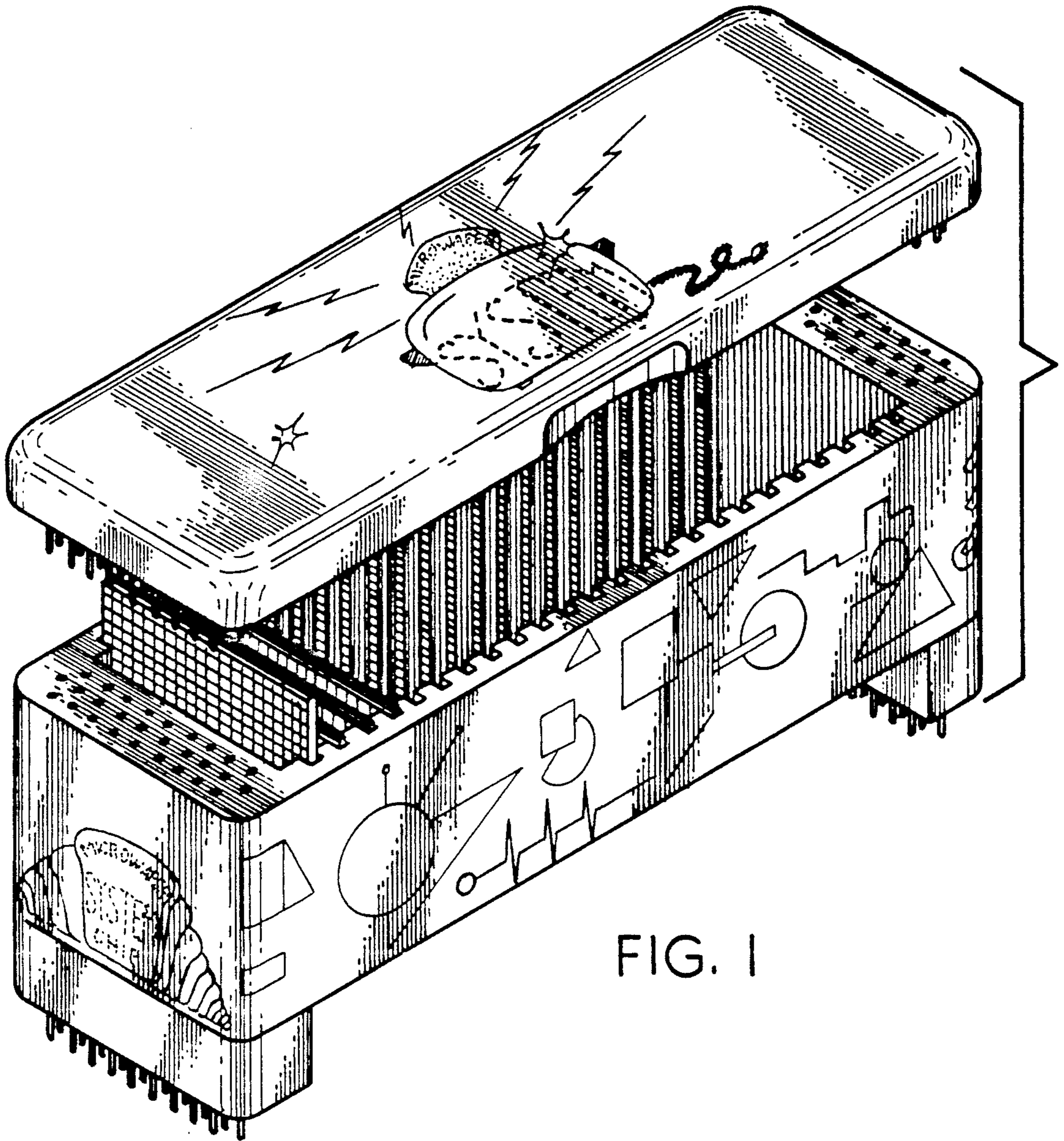
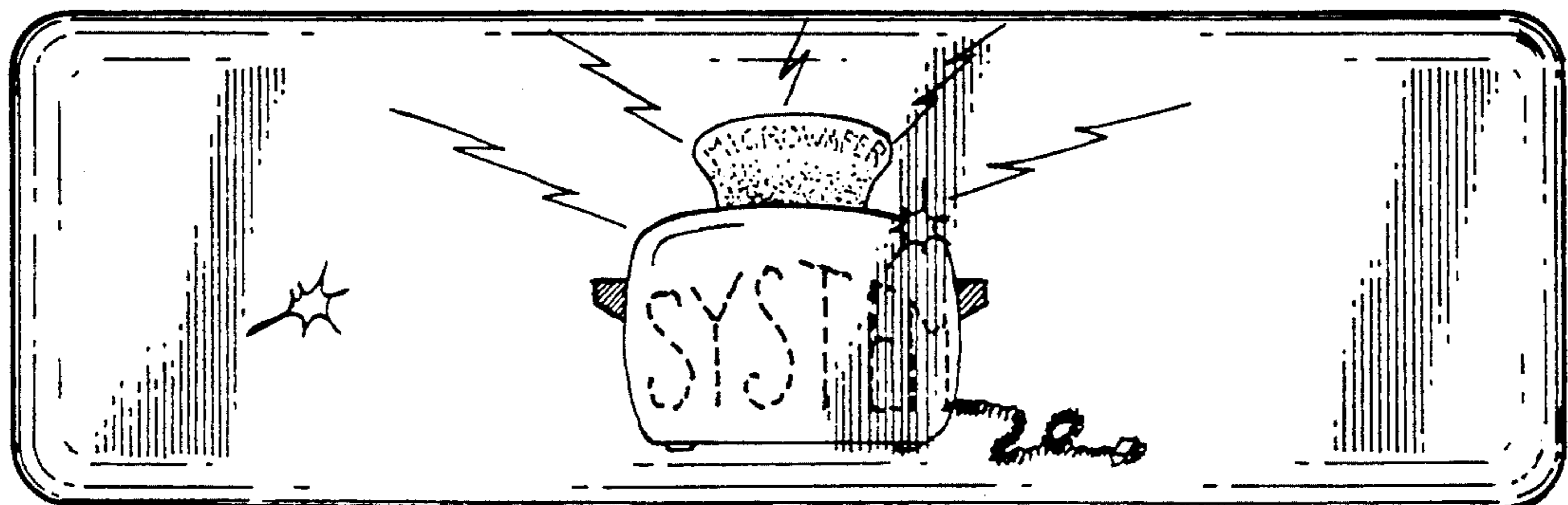


FIG. 1

FIG. 2



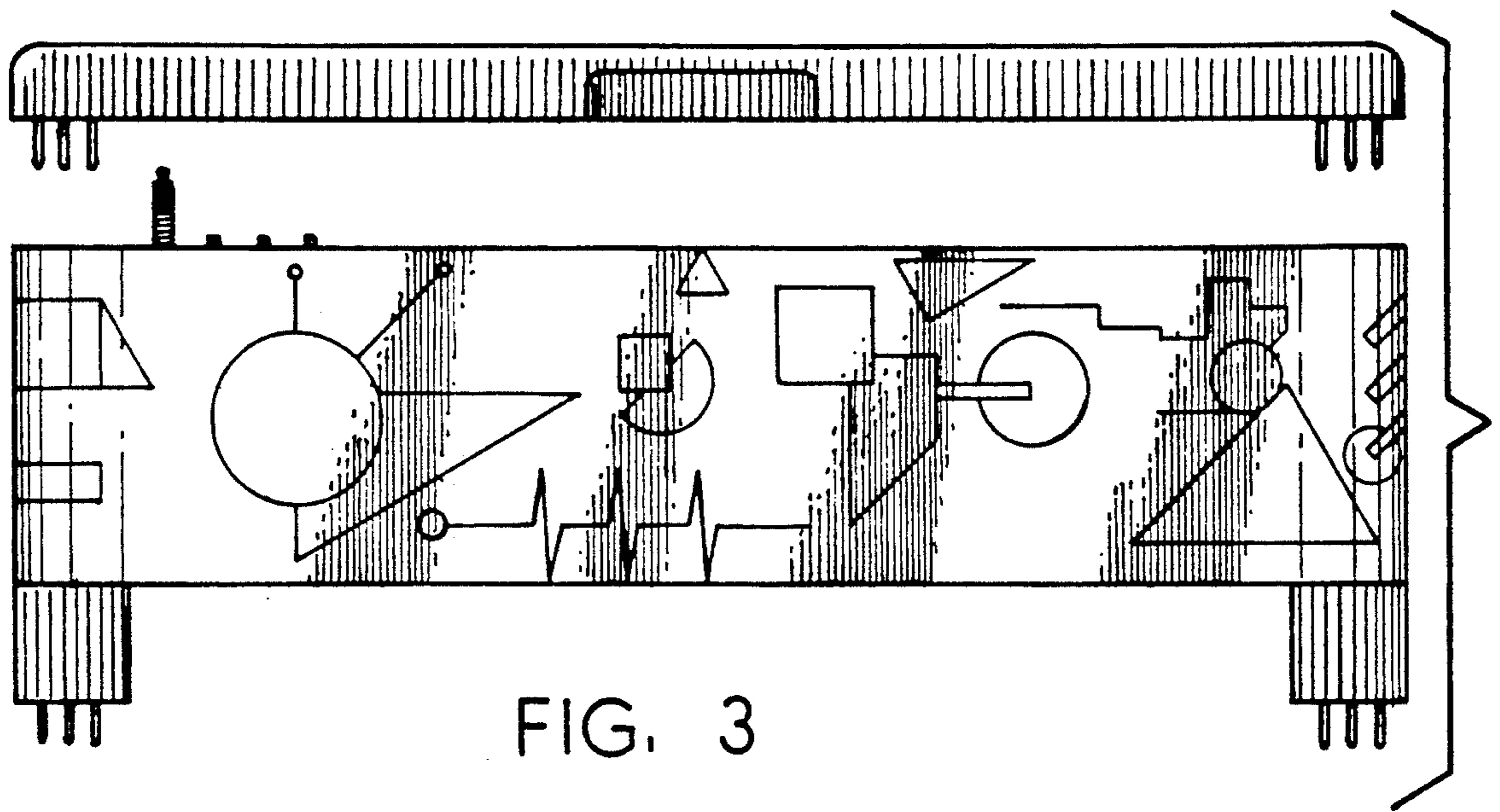


FIG. 4

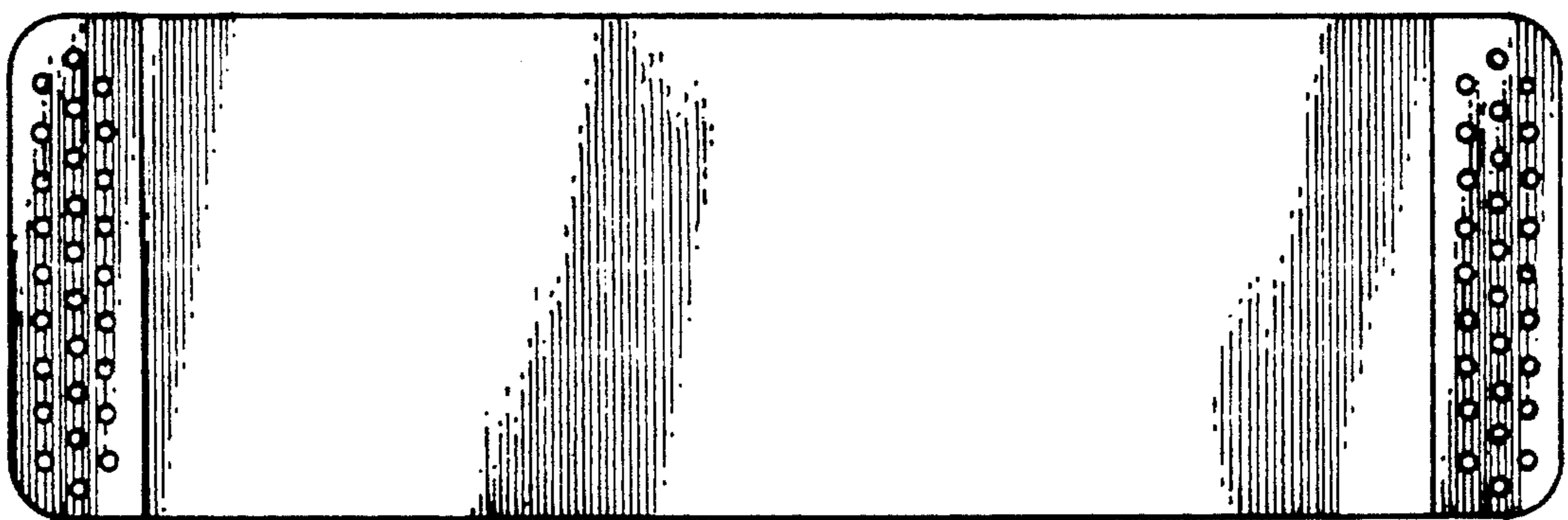


FIG. 5

