



US00D336893S

United States Patent [19]

[11] Patent Number: **Des. 336,893**

Bergeron

[45] Date of Patent: **** Jun. 29, 1993**

[54] **HOUSING FOR AN INFRARED WALL SWITCH**

[76] Inventor: **Gregory B. Bergeron**, 101 N. Hart Pl., Fullerton, Calif. 92631

[**] Term: **14 Years**

[21] Appl. No.: **793,090**

[22] Filed: **Nov. 15, 1991**

[52] U.S. Cl. **D13/158; D10/106**

[58] Field of Search **D13/158, 165, 171; D10/104, 106; 250/338.1, 353, 342**

[56] **References Cited**

U.S. PATENT DOCUMENTS

D. 286,383	10/1986	Kotlicki et al.	D10/106
D. 302,951	8/1989	Kotlicki et al.	D10/106
D. 307,875	5/1990	Mallory	D10/106
D. 311,877	11/1990	Cheng	D10/104
D. 327,471	6/1992	Frick	D13/171
4,973,801	11/1990	Frick et al.	D13/158 X

OTHER PUBLICATIONS

Passive infrared detector on p. 129 of Hong Kong Enterprise, Oct. 1989. Located in PTO Group 2900 Library.

Infrared detector on p. 750 of Hong Kong Enterprise, Oct. 1989. Located in PTO Group 2900 Library.

Motion sensor switches on p. 42 of Electrical Construction & Maintenance, Dec. 1989. Located in PTO Scientific Library.

Infrared switch on p. 132 of Electrical Construction & Maintenance, '89 Electrical Products Yearbook. Located in PTO Scientific Library.

Primary Examiner—Wallace R. Burke

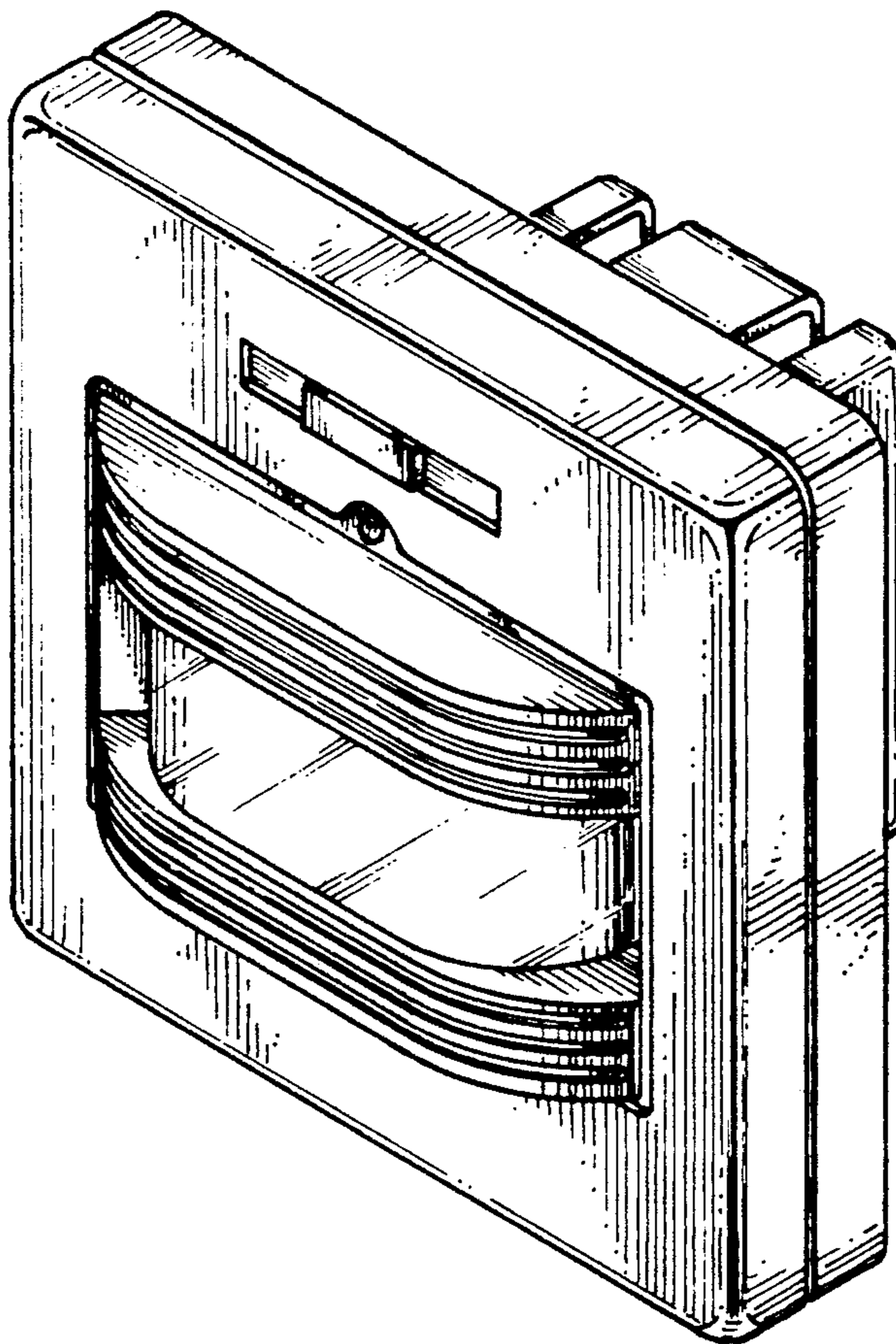
Assistant Examiner—Joel Sincavage

[57] **CLAIM**

The ornamental design of a housing for an infrared wall switch, as shown and described.

DESCRIPTION

FIG. 1 is a front elevational view of the housing for an infrared wall switch showing my new design; FIG. 2 is a bottom plan view thereof; FIG. 3 is a top plan view thereof; FIG. 4 is a rear elevational view thereof; FIG. 5 is an end elevational view thereof, the opposite end being a mirror image; FIG. 6 is a front and upper right perspective view thereof; and, FIG. 7 is a rear and lower left perspective view thereof.



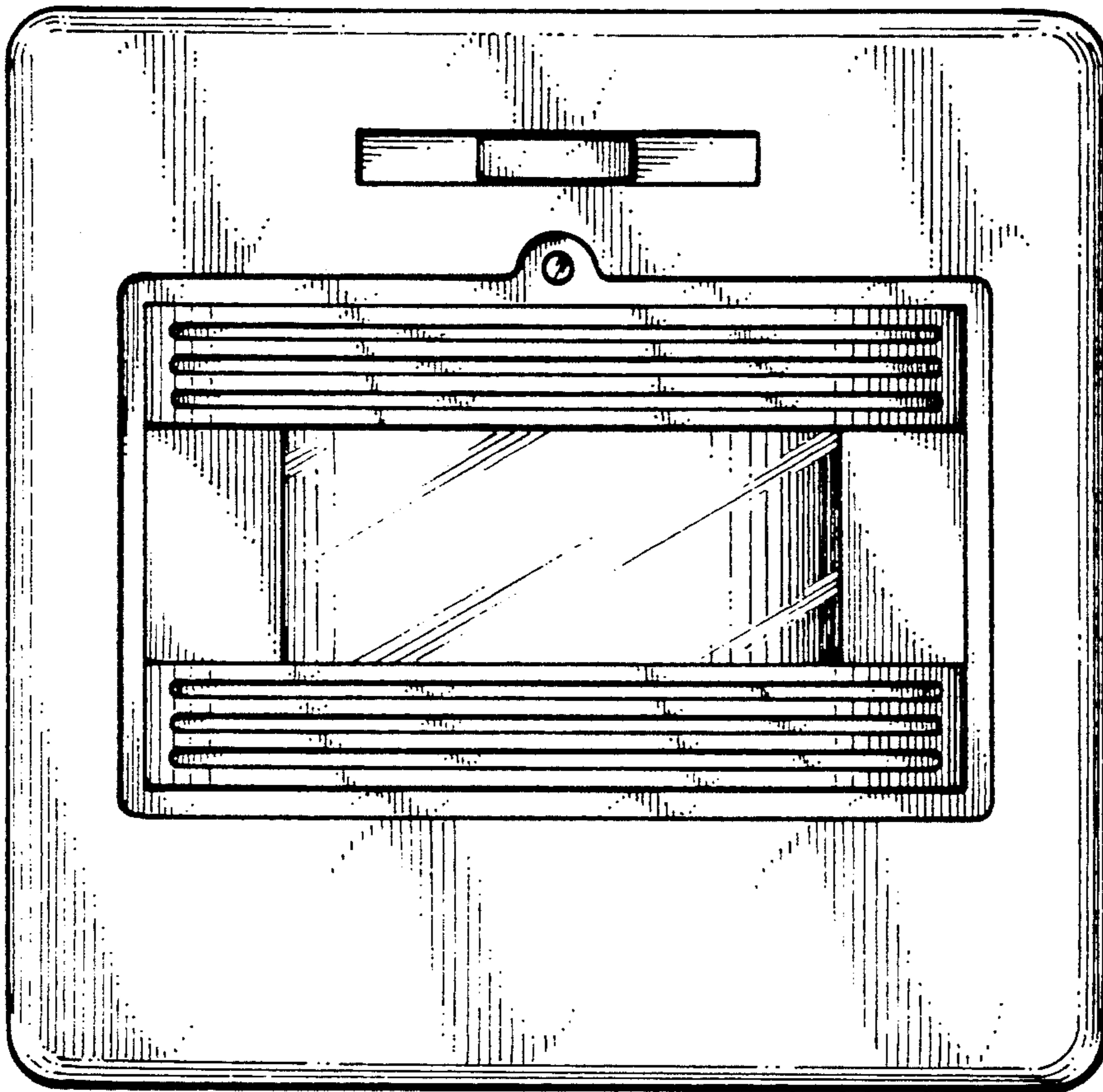


FIG. 1

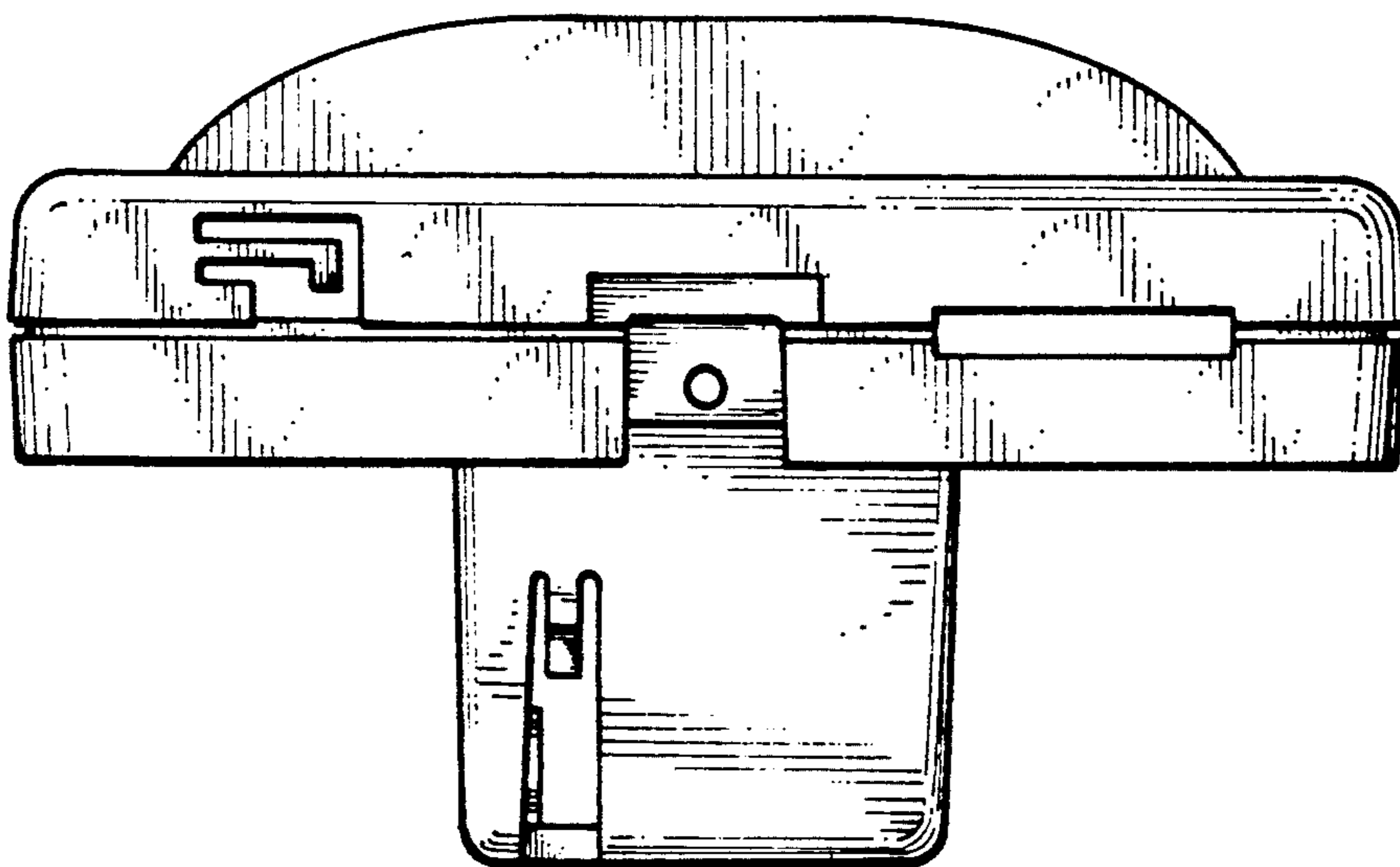


FIG. 2

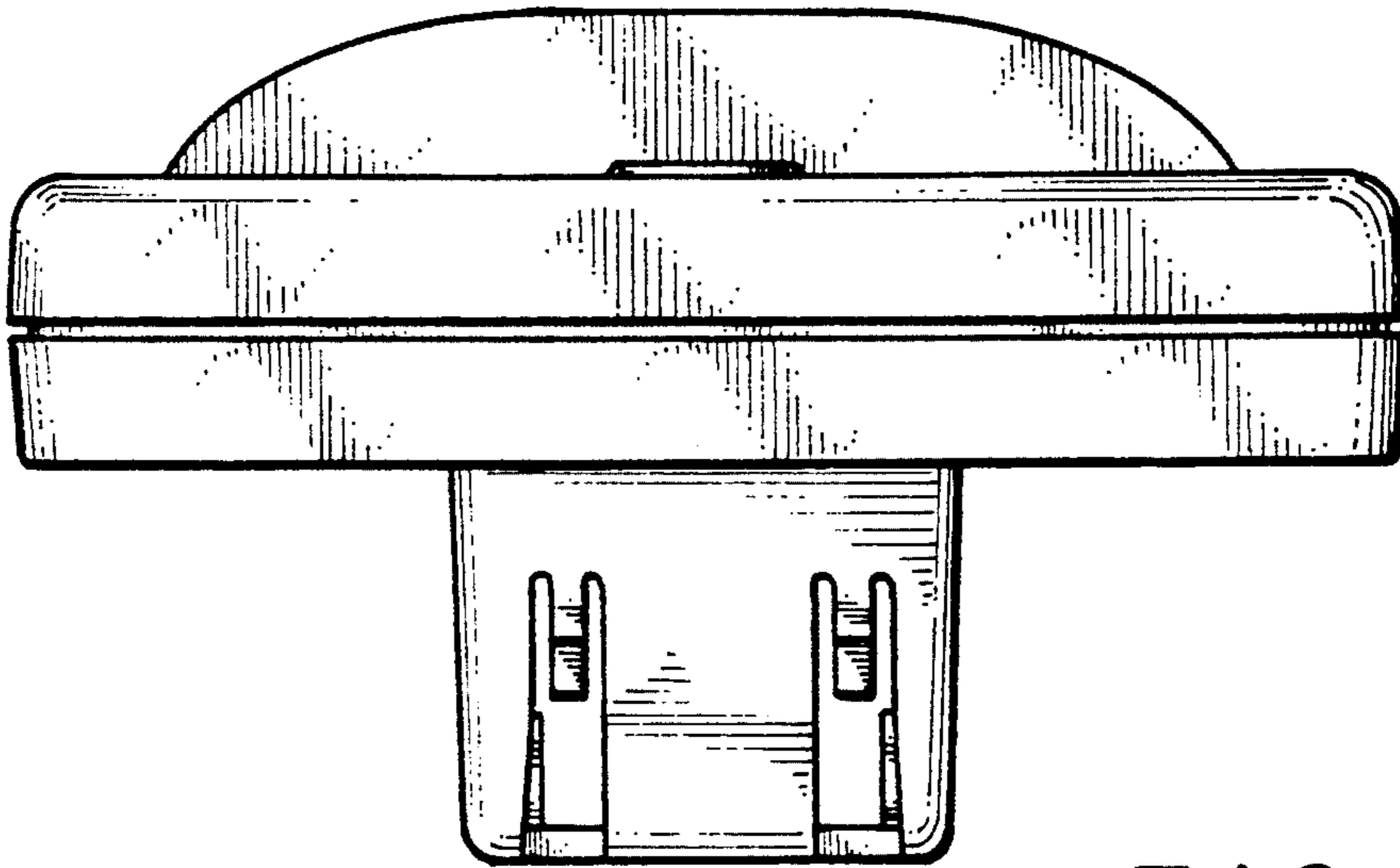


FIG. 3

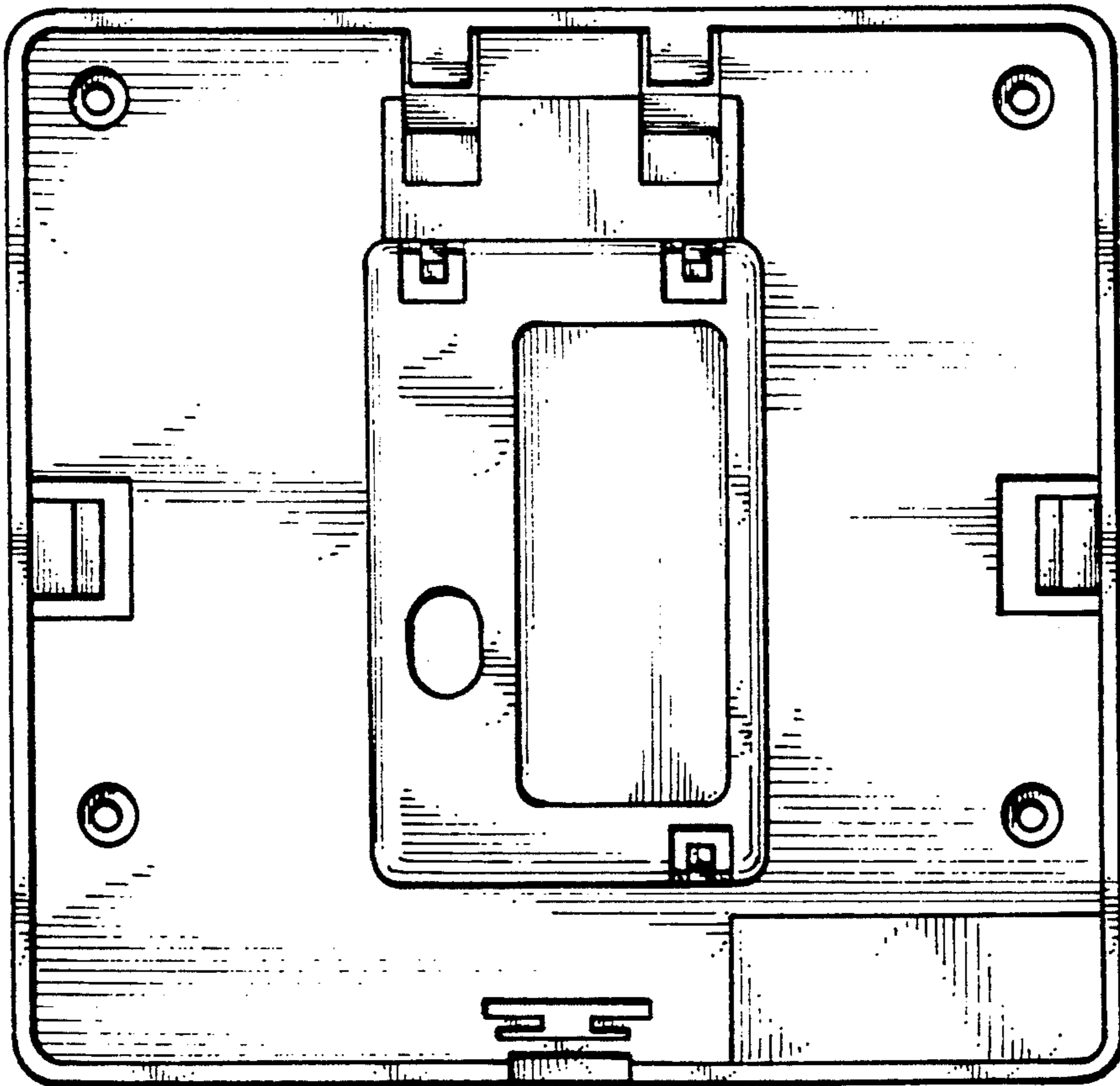


FIG. 4

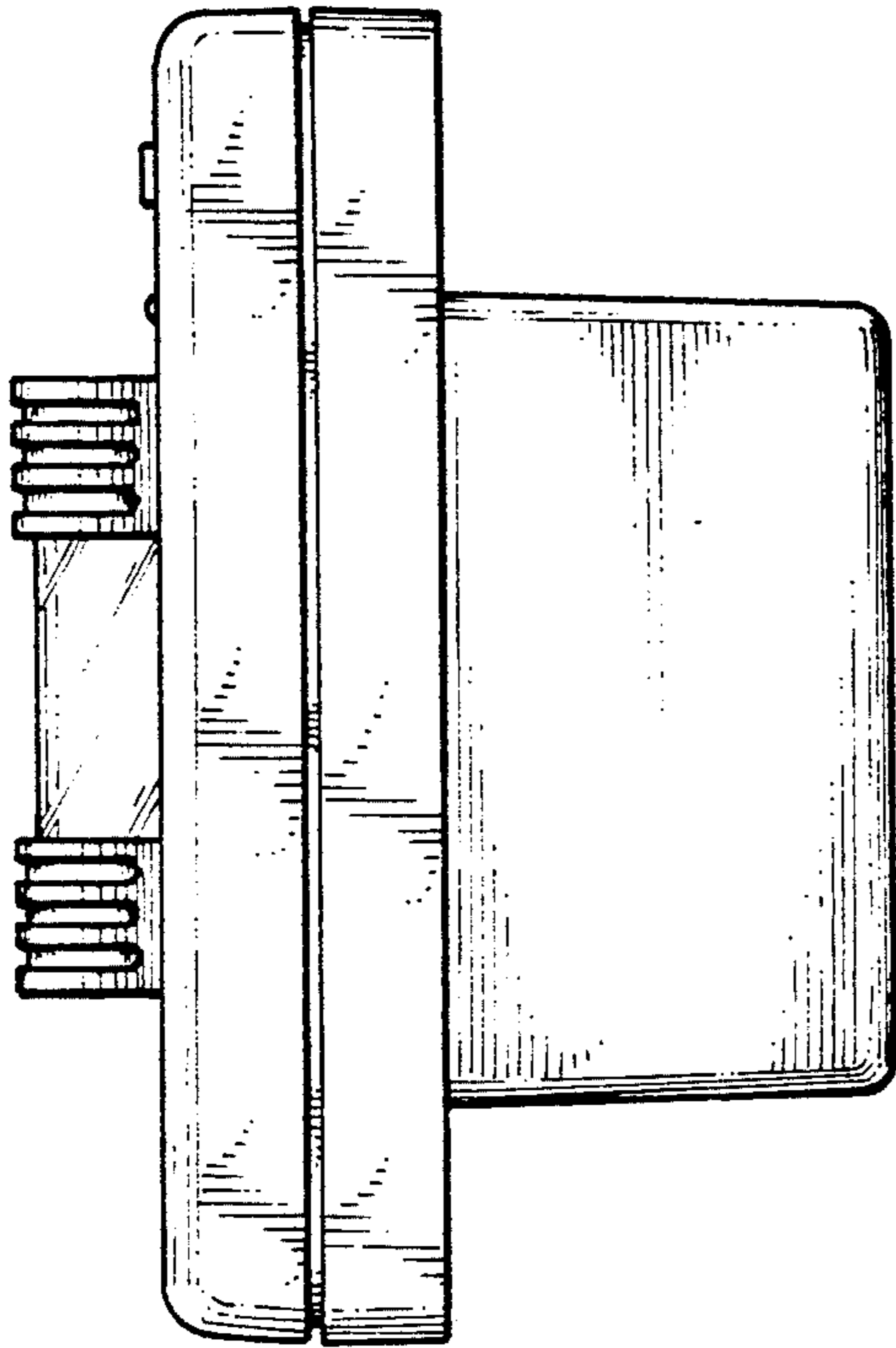


FIG. 5

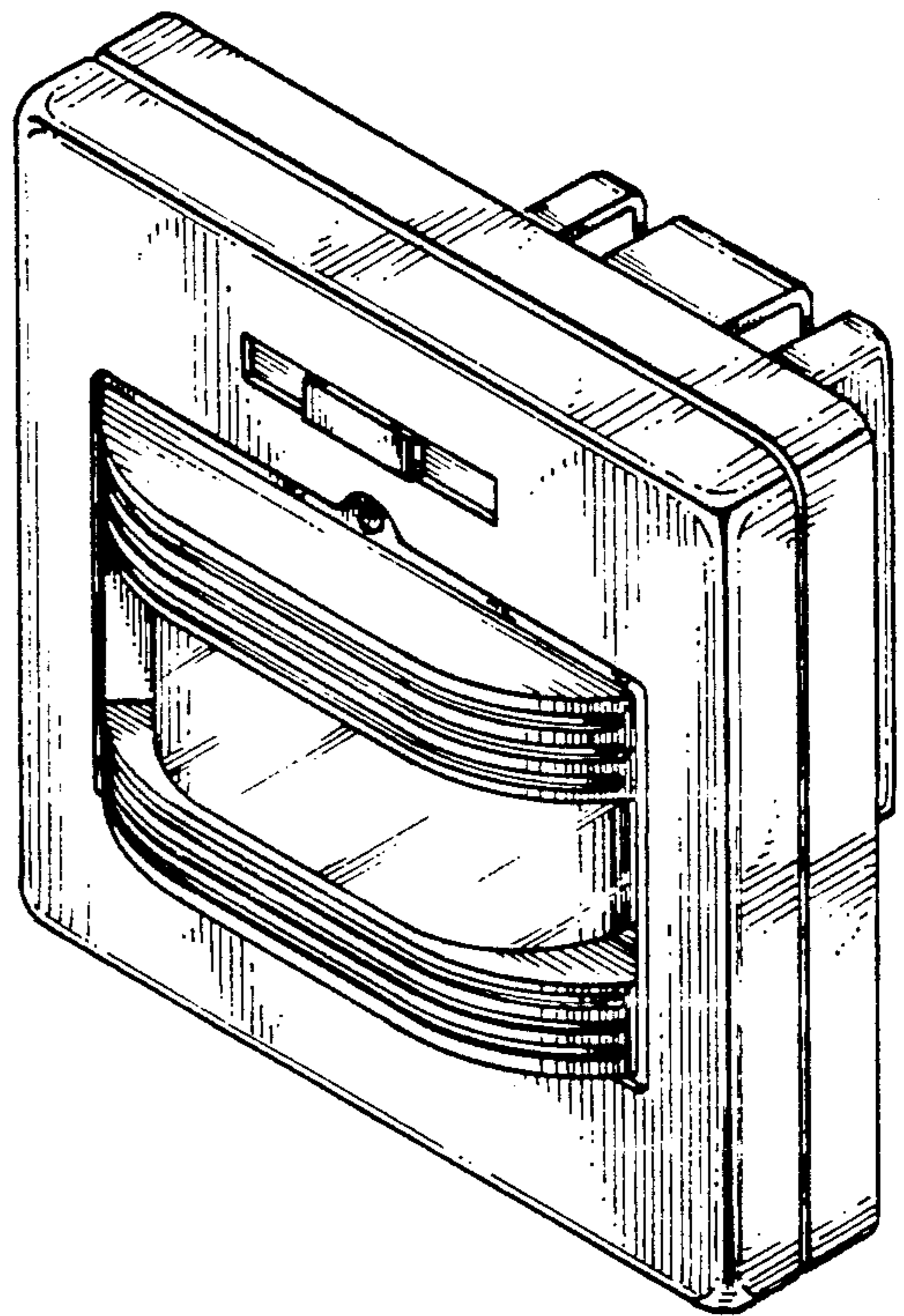


FIG. 6

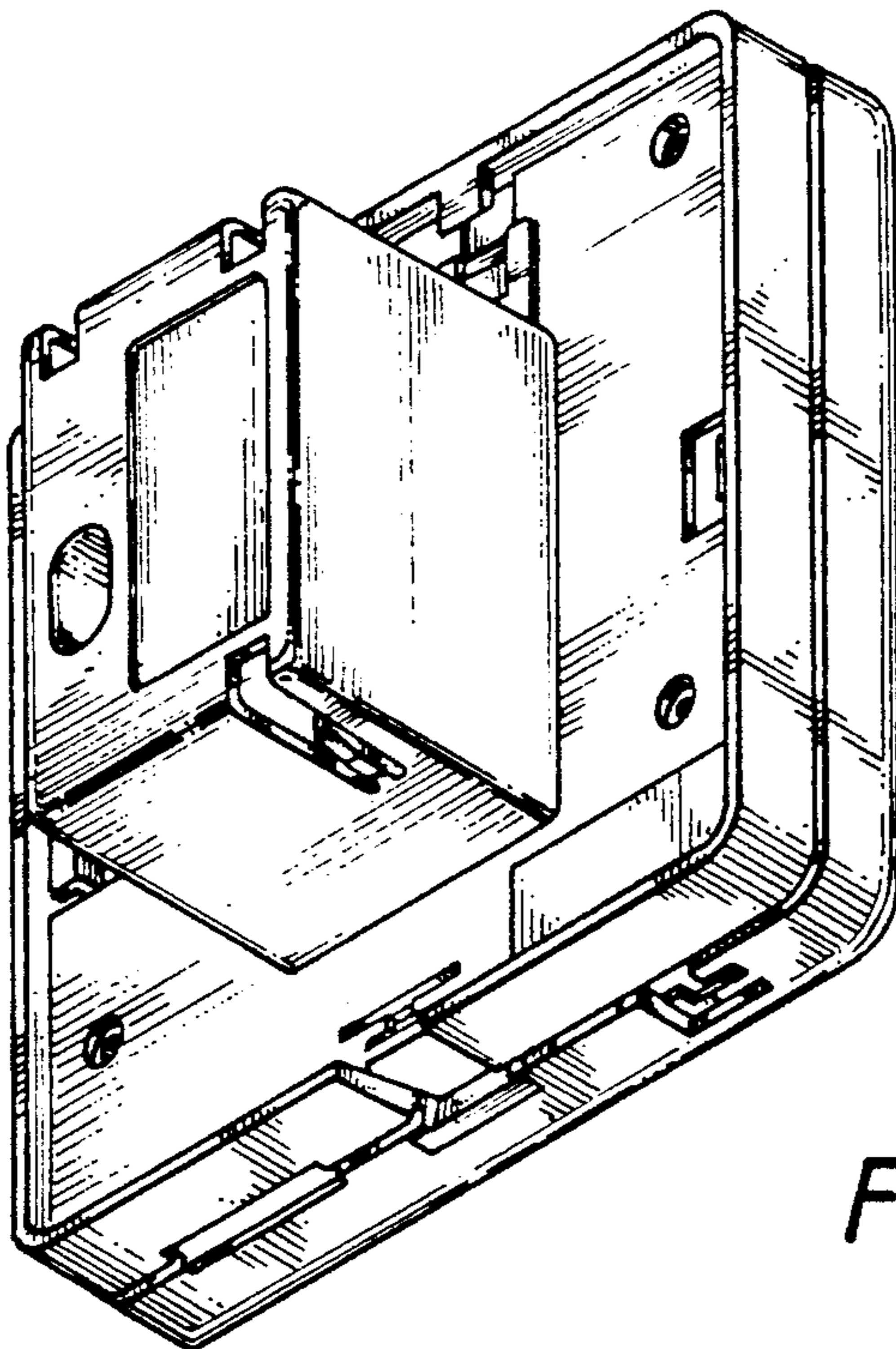


FIG. 7