



US00D336891S

United States Patent [19]

Sato et al.

[11] Patent Number: **Des. 336,891**

[45] Date of Patent: **** Jun. 29, 1993**

[54] **TERMINAL FOR AN ELECTRICAL CONNECTOR**

[75] Inventors: **Kensaku Sato; Naohisa Nakata**, both of Tokyo, Japan

[73] Assignee: **Hirose Electric Co., Ltd.**, Tokyo, Japan

[**] Term: **14 Years**

[21] Appl. No.: **668,468**

[22] Filed: **Mar. 13, 1991**

[30] **Foreign Application Priority Data**

Sep. 14, 1990 [JP] Japan 2-30767

[52] U.S. Cl. **D13/133**

[58] Field of Search D13/133, 148, 149; 439/732, 844, 865, 866, 867, 884

[56] **References Cited**

U.S. PATENT DOCUMENTS

- D. 290,109 6/1987 Justiano et al. D13/149
- 3,546,663 12/1970 Holmberg, Jr. 439/867 X
- 3,864,004 2/1975 Friend 439/844
- 4,030,804 6/1977 Enomoto 439/884

- 4,032,215 6/1977 Jarmofsky et al. 439/867 X
- 4,061,406 12/1977 Kunkle 439/732 X
- 4,932,877 6/1990 Zinn D13/133 X

FOREIGN PATENT DOCUMENTS

0056278 6/1967 Fed. Rep. of Germany 439/865

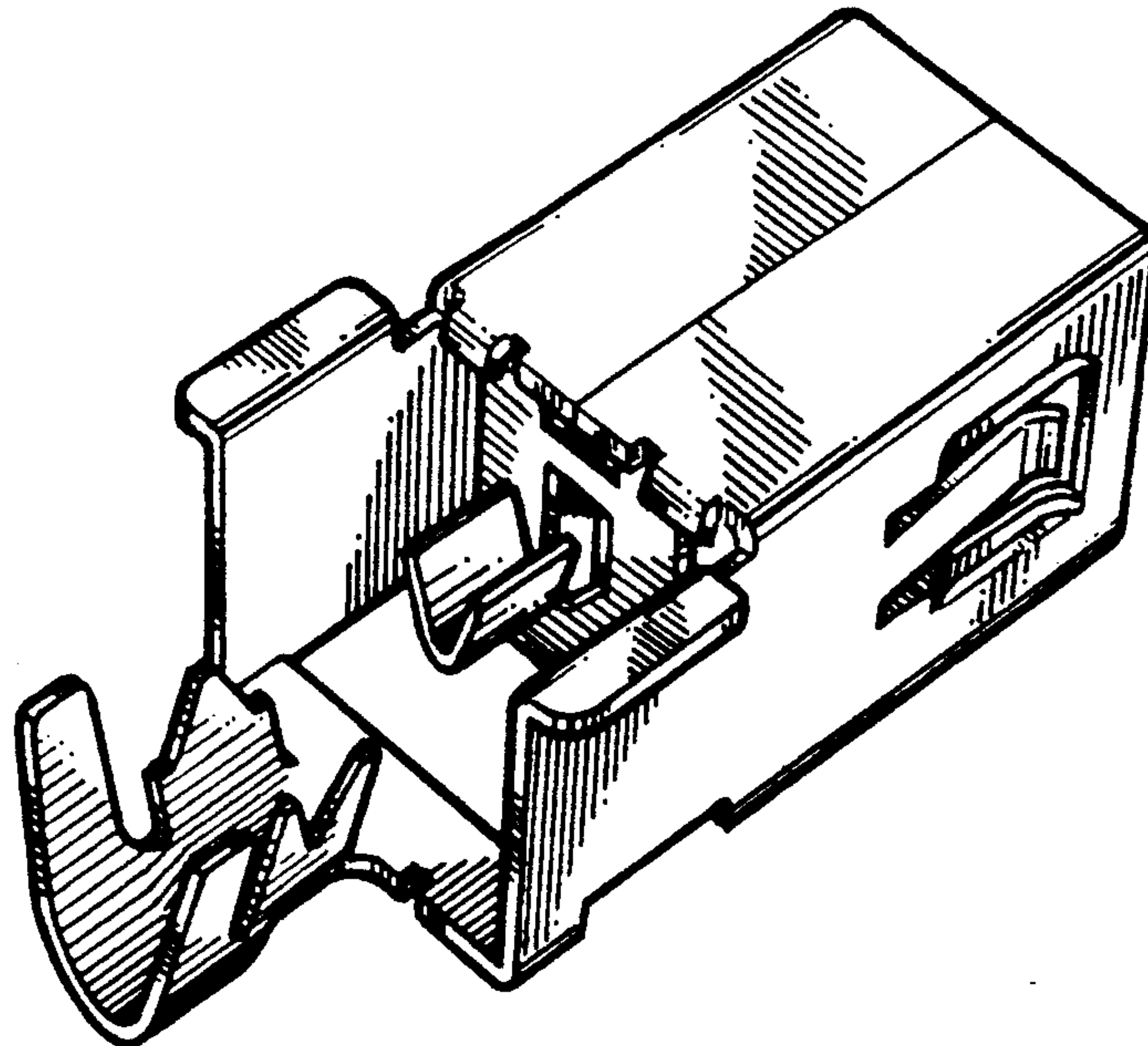
Primary Examiner—Wallace R. Burke
Assistant Examiner—Joel Sincavage
Attorney, Agent, or Firm—Kanesaka & Takeuchi

[57] **CLAIM**

The ornamental design for a terminal for an electrical connector, as shown and described.

DESCRIPTION

FIG. 1 is a perspective view of a terminal for an electrical connector showing an embodiment of our new design;
 FIG. 2 is a top plan view thereof;
 FIG. 3 is a side elevational view thereof, the opposite side being a mirror image;
 FIG. 4 is a bottom plan view thereof;
 FIG. 5 is a front elevational view thereof;
 FIG. 6 is a rear elevational view thereof; and,
 FIG. 7 is a partially cutaway, side elevational view thereof taken along line 7—7 of FIG. 5.



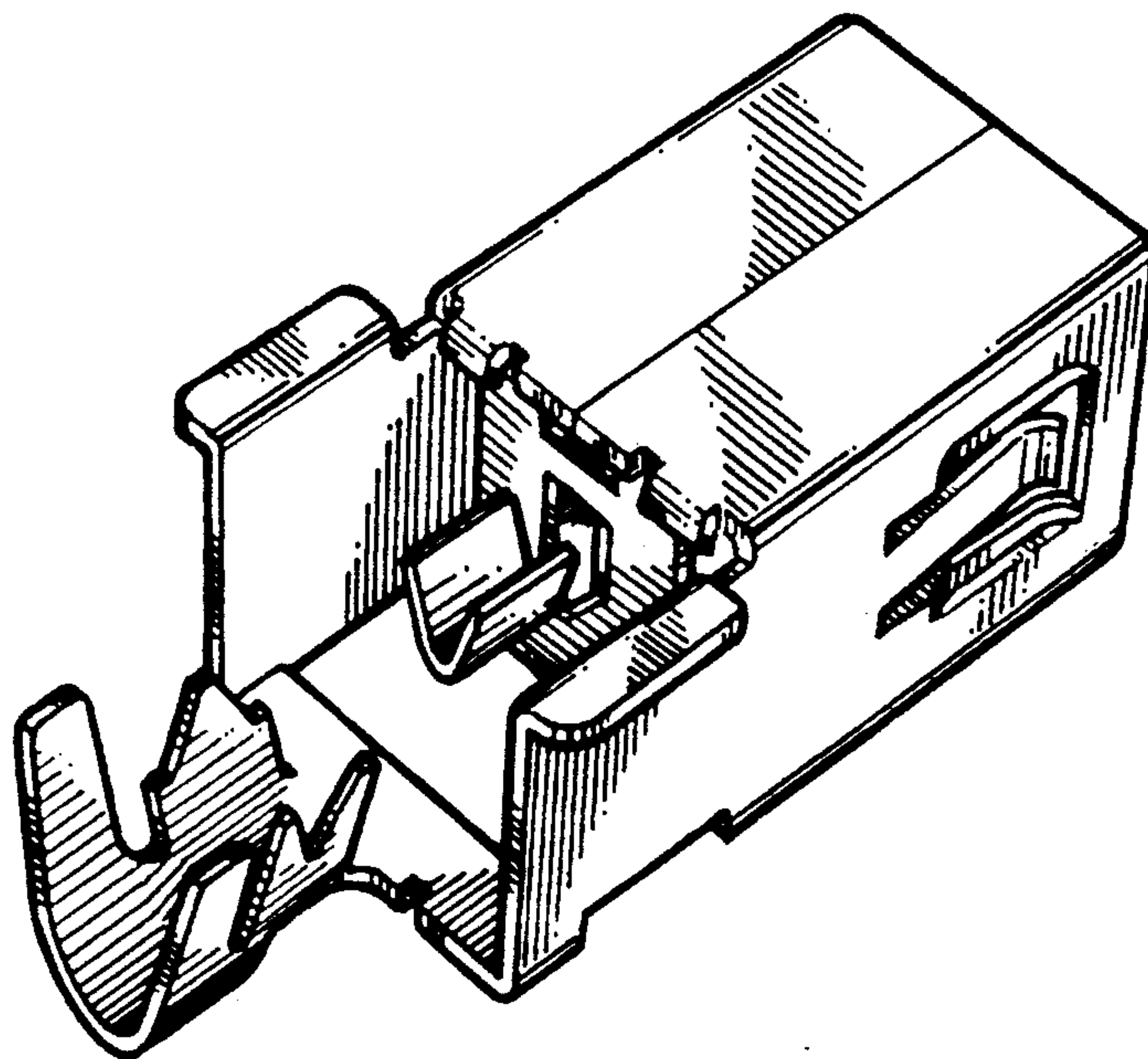


FIG. 1

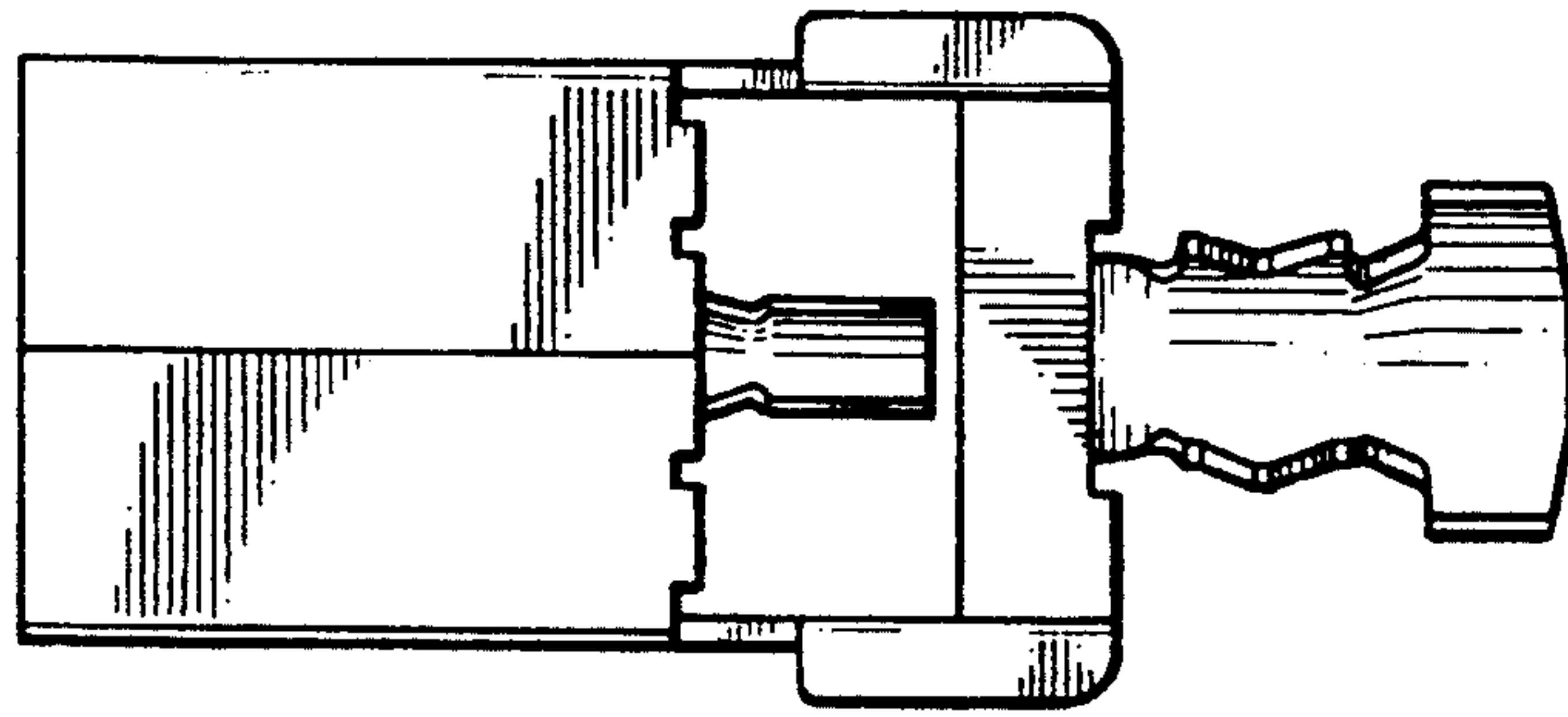


FIG. 2

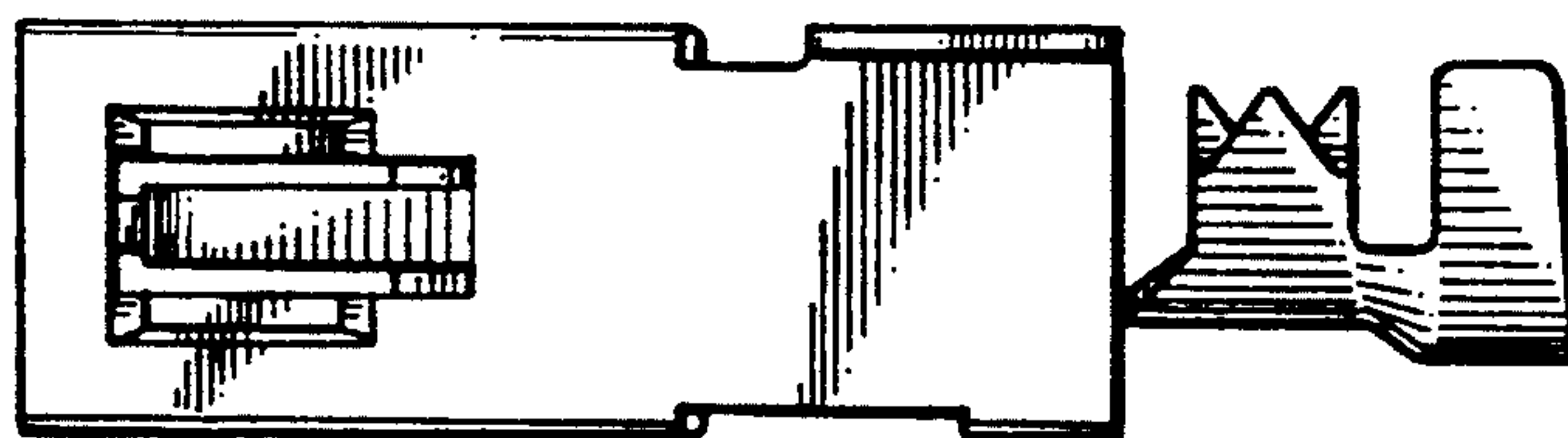


FIG. 3

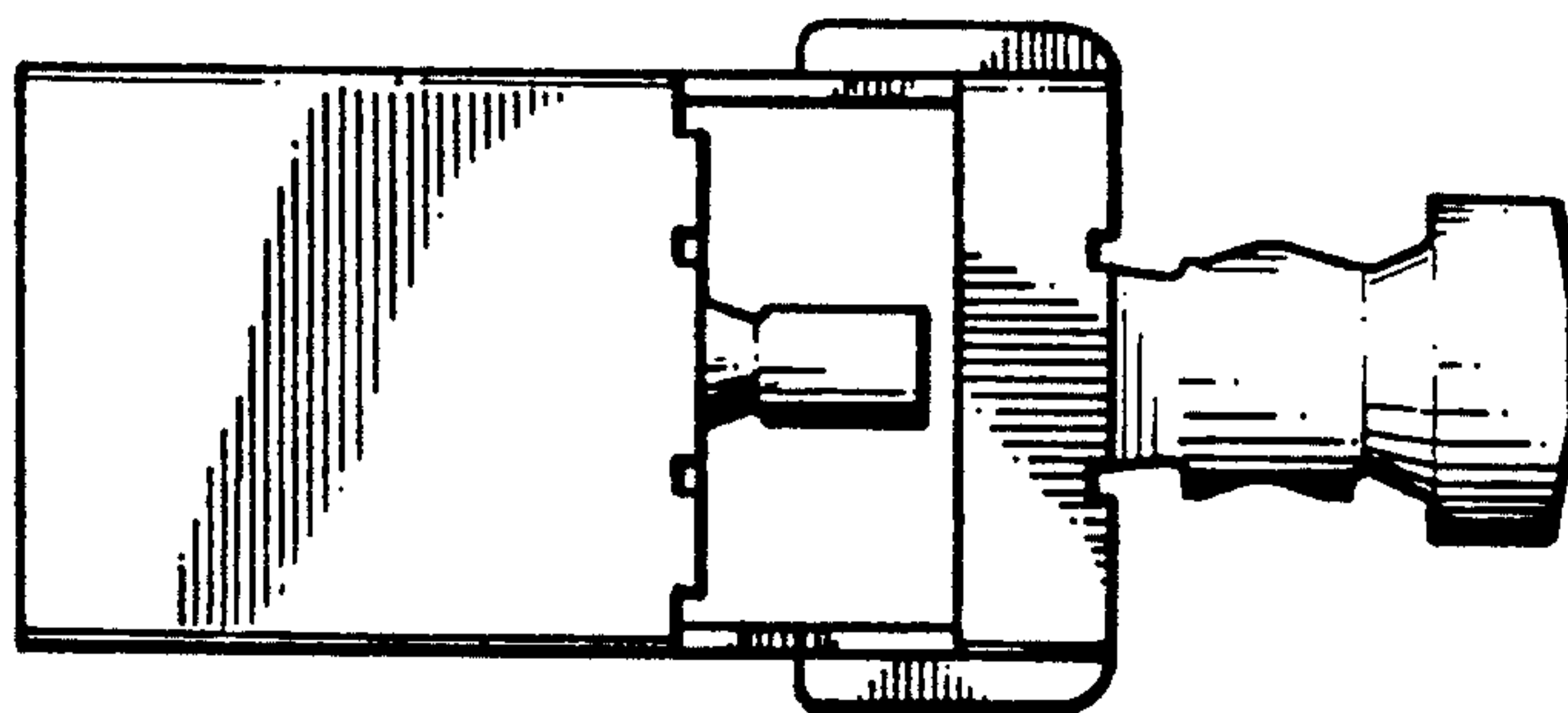
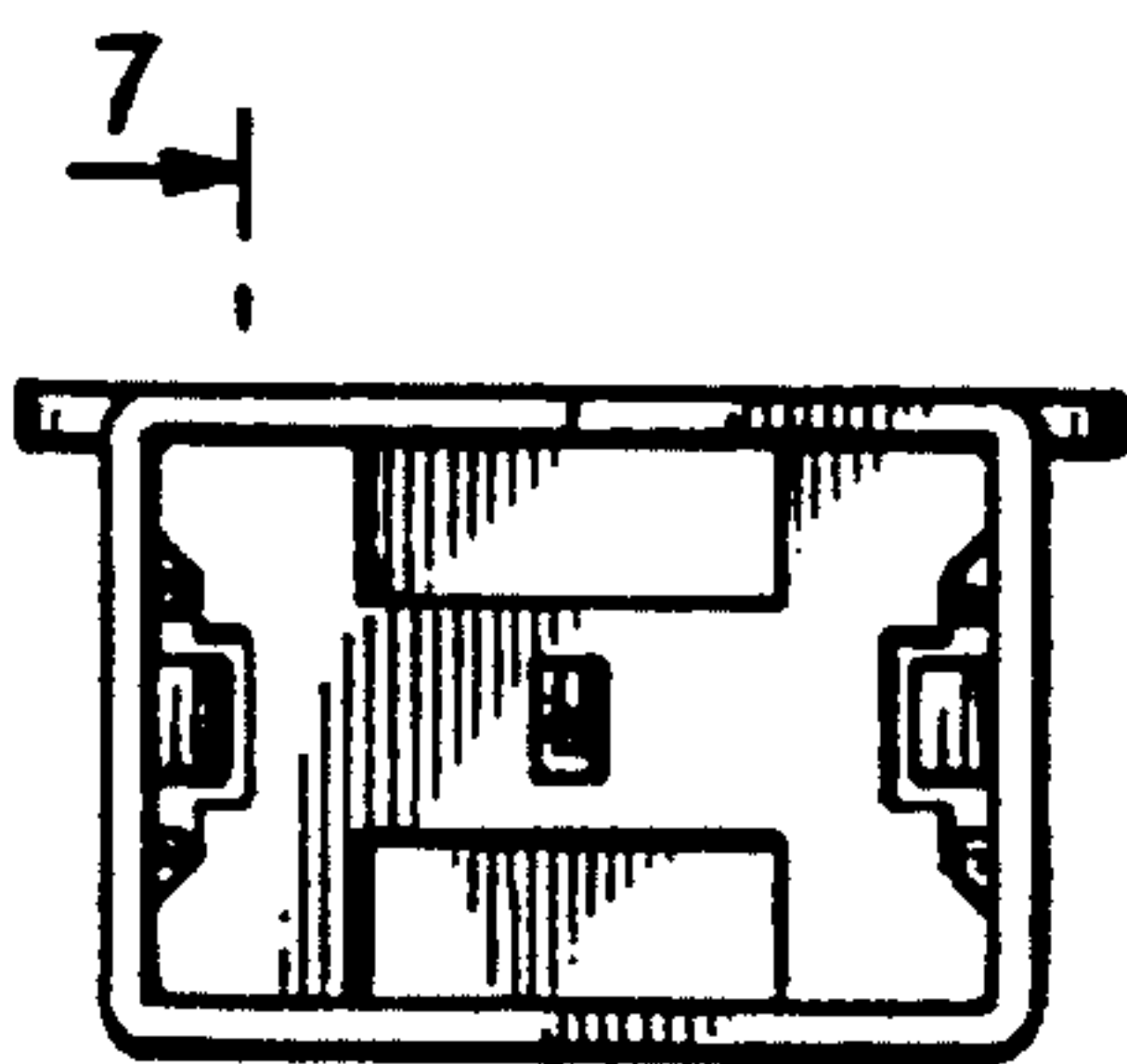


FIG. 4



7
71 FIG. 5

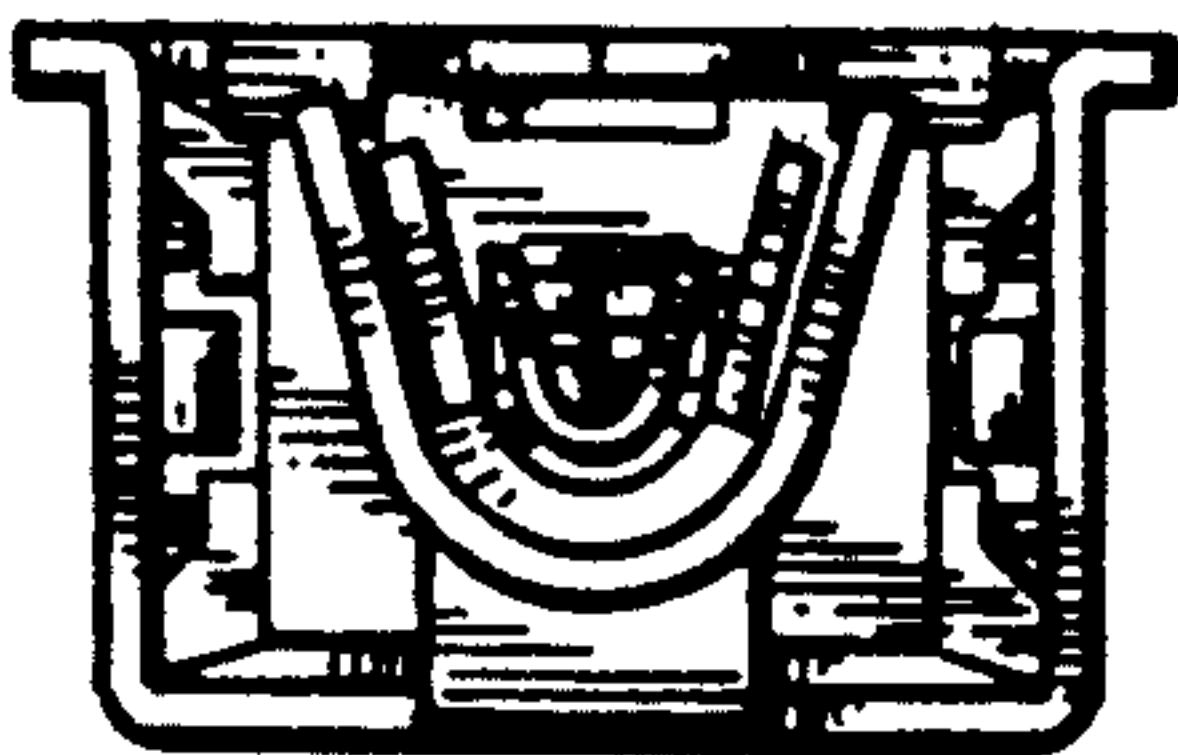


FIG. 6

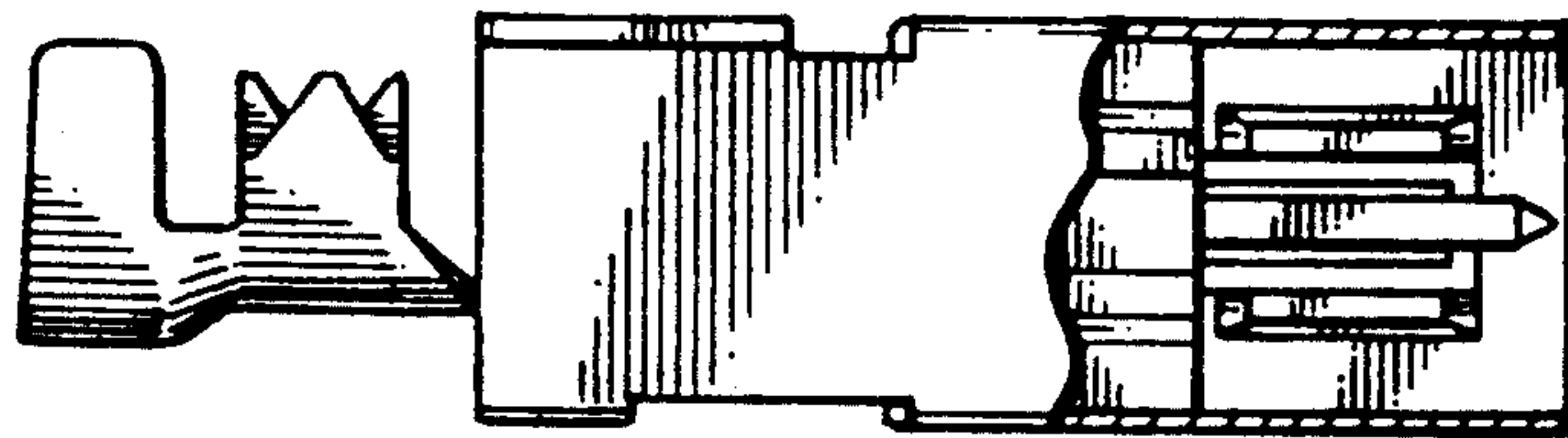


FIG. 7