



US00D336890S

United States Patent [19]

[11] Patent Number: **Des. 336,890**

Hirose et al.

[45] Date of Patent: **** Jun. 29, 1993**

[54] GEARED MOTOR

[75] Inventors: **Hideo Hirose; Yutaka Tsutsui; Hiroshi Hasegawa**, all of Osaka, Japan

[73] Assignee: **Matsushita Electric Industrial Co., Ltd.**, Osaka, Japan

[**] Term: **14 Years**

[21] Appl. No.: **716,600**

[22] Filed: **Jun. 17, 1991**

[30] Foreign Application Priority Data

Dec. 25, 1990 [JP] Japan 2-43119

[52] U.S. Cl. **D13/112**

[58] Field of Search D13/112; 310/83, 89; 74/425

[56] References Cited

U.S. PATENT DOCUMENTS

D. 236,985	9/1975	Baumann	D13/114
D. 245,499	8/1977	Andreas	D13/112
D. 314,550	2/1991	Sieber	D13/114
D. 325,560	4/1992	Baines	D13/112

OTHER PUBLICATIONS

Motors on Ohio Electric Motors OEM Product Data Sheet 301, Apr. 1978.

Motors on Applied Motors Bulletin PM470, Apr. 1978. HD Systems, Inc., Motors on p. 262 of *Design News*, Aug. 20, 1990.

Gast Pump Motor on p. 15 of *Design News*, Sep. 17, 1990.

Primary Examiner—Wallace R. Burke

Assistant Examiner—Joel Sincavage

Attorney, Agent, or Firm—Sughrue, Mion, Zinn, Macpeak & Seas

[57] CLAIM

The ornamental design for a geared motor, as shown.

DESCRIPTION

FIG. 1 is a front, top and right side perspective view of a geared motor showing our new design; FIG. 2 is a front elevational view thereof; FIG. 3 is a rear elevational view thereof; FIG. 4 is a left side elevational view thereof; FIG. 5 is a right side elevational view thereof; FIG. 6 is a top plan view thereof; and, FIG. 7 is a bottom plan view thereof.

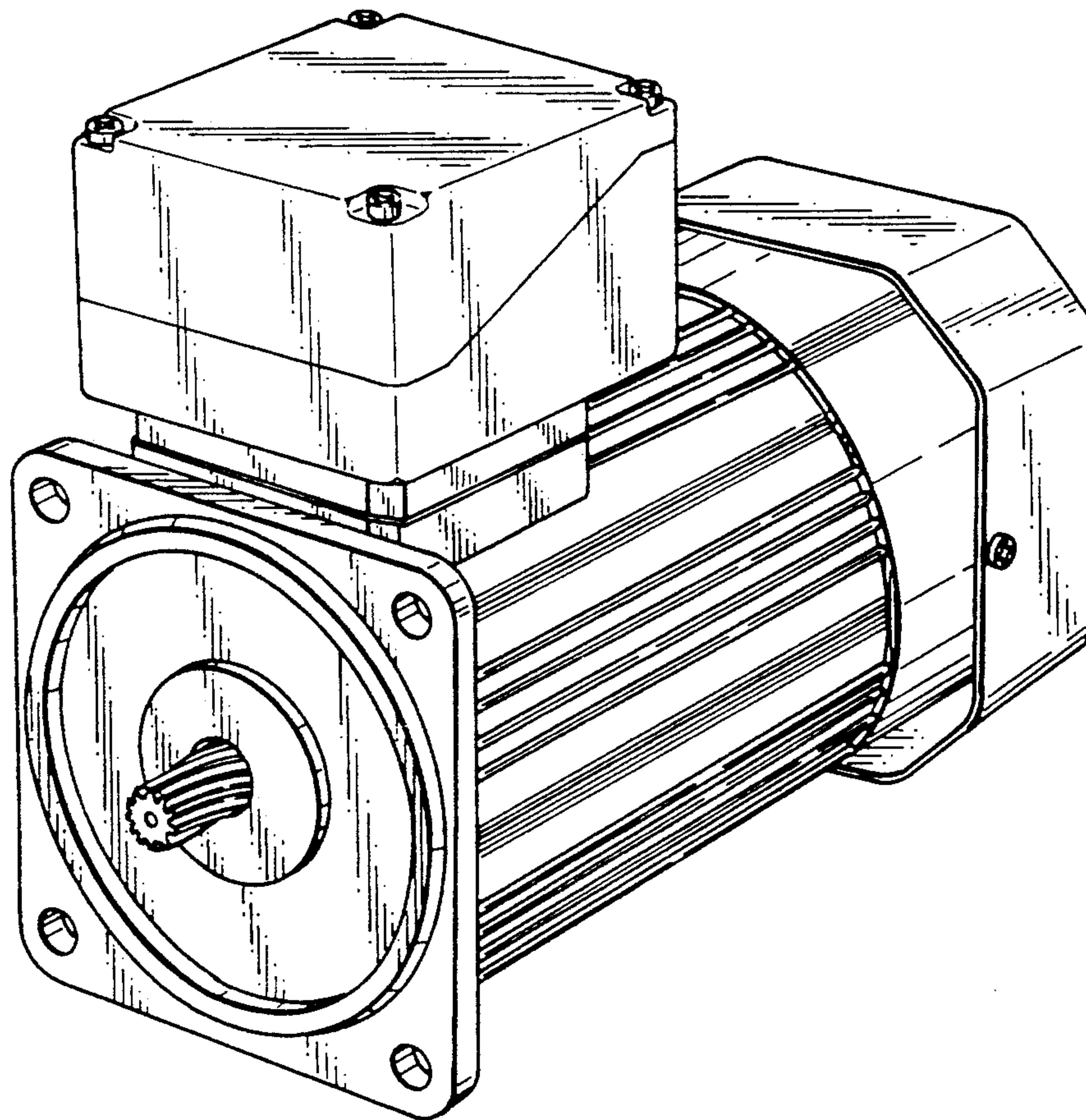


Fig. 1

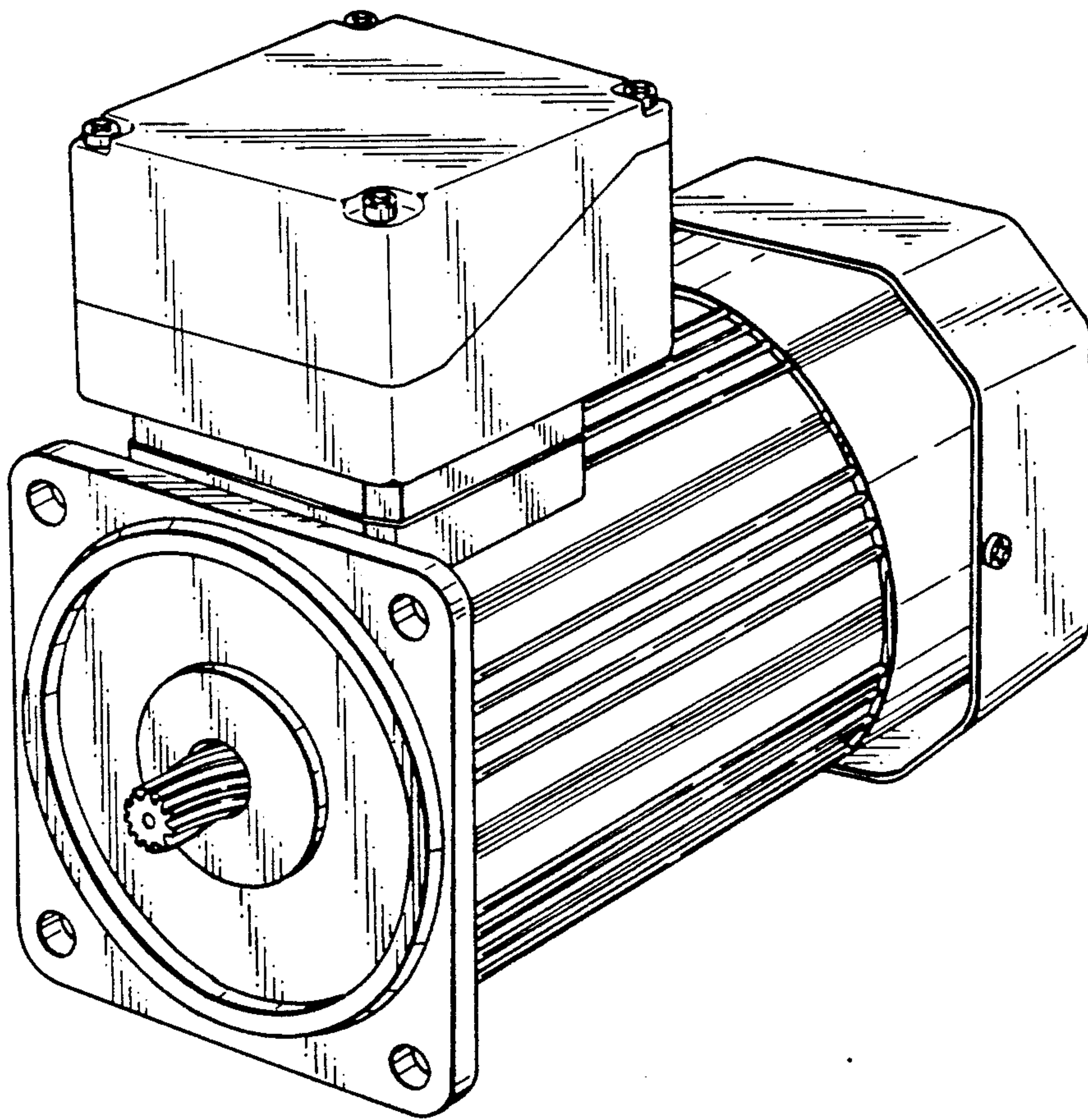


Fig. 3

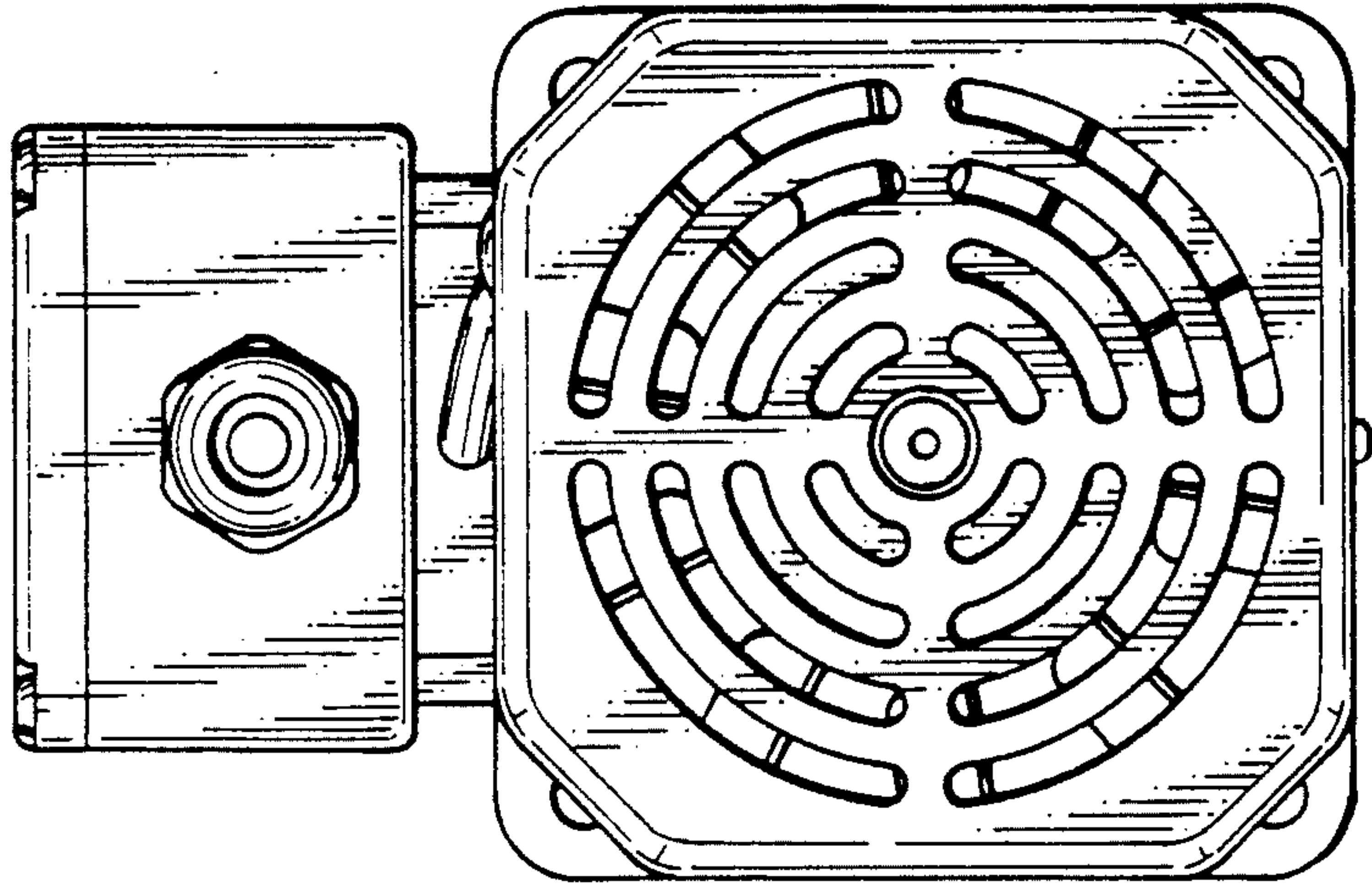


Fig. 2

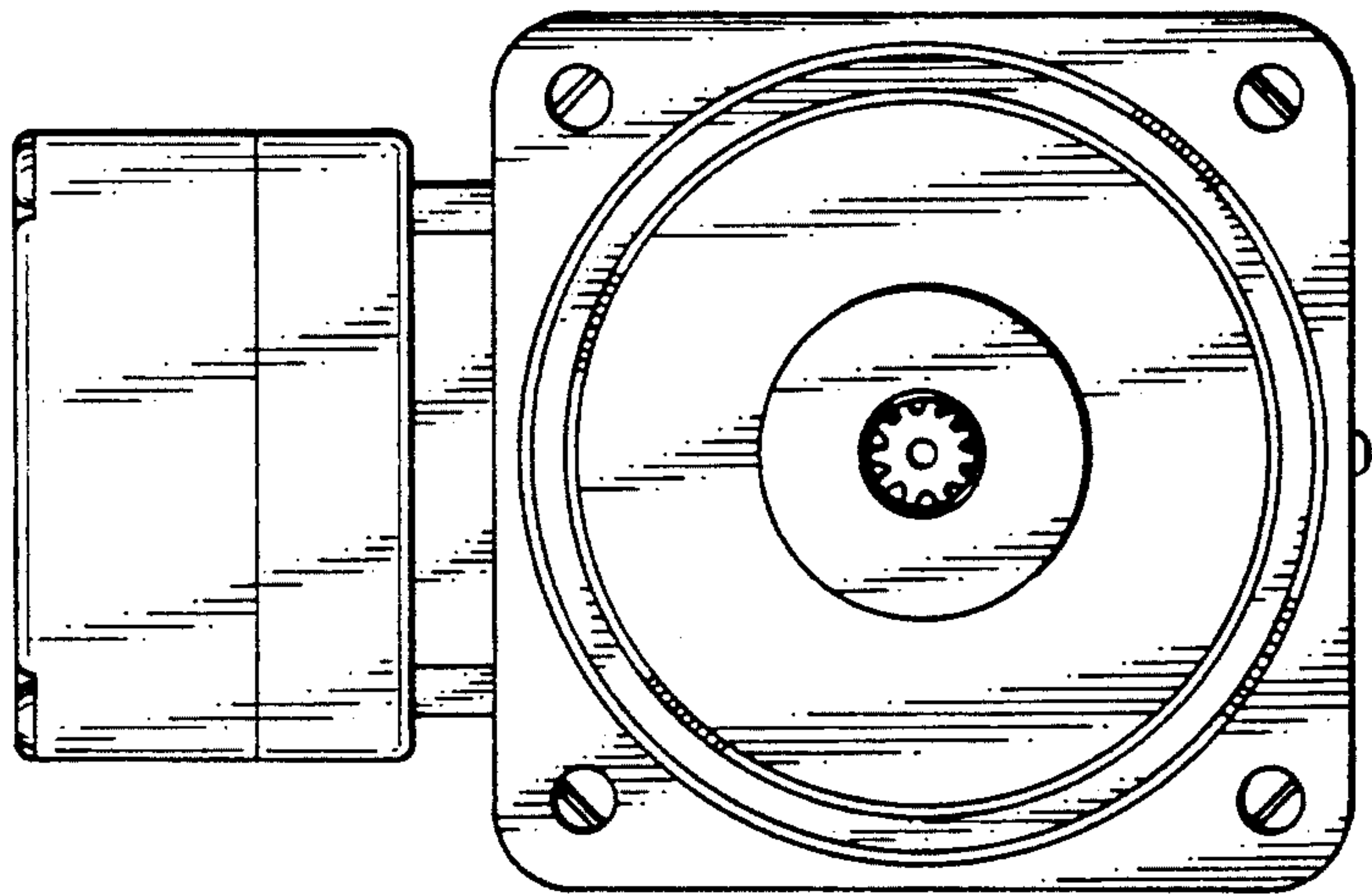


Fig. 4

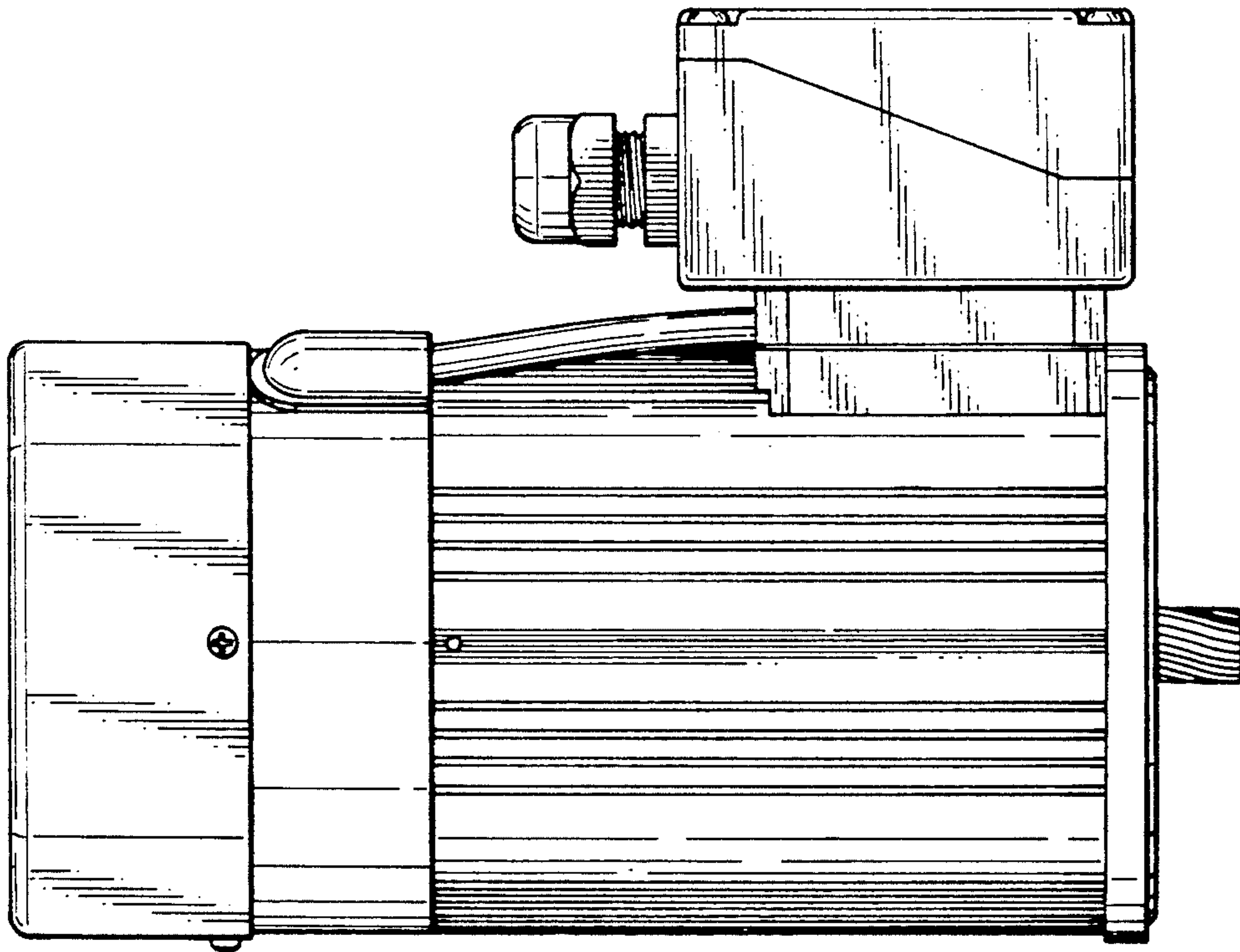


Fig. 5

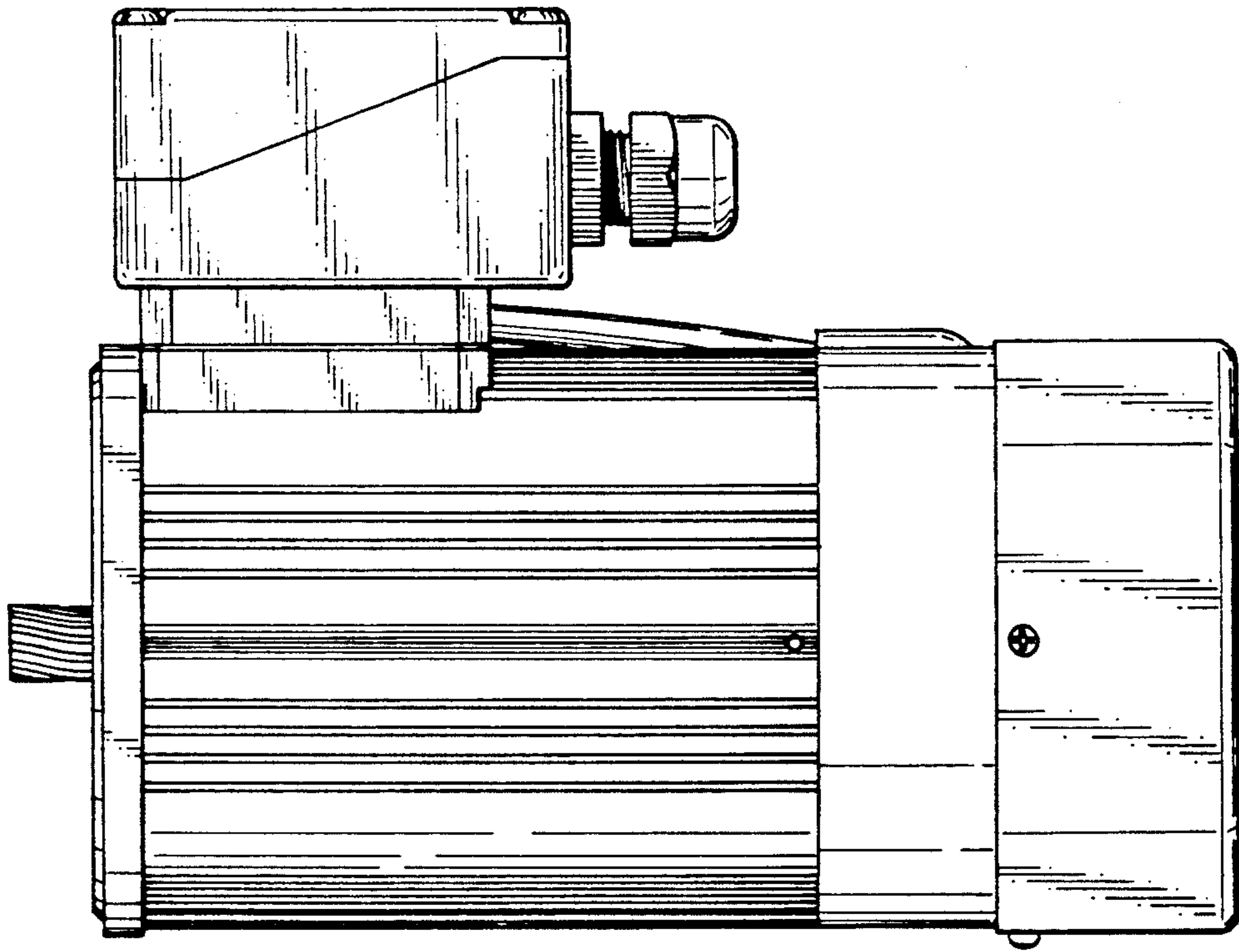


Fig. 6

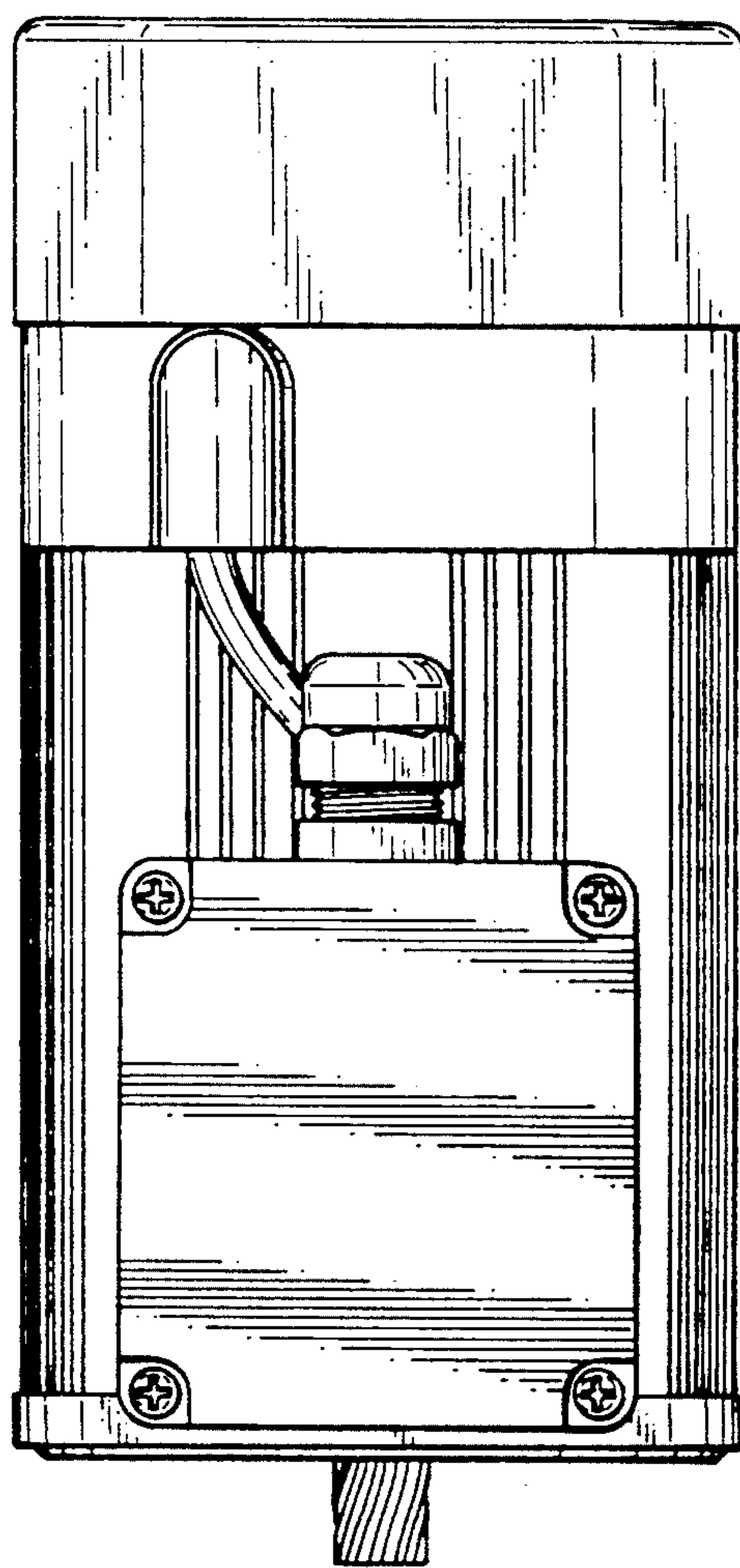


Fig. 7

