



US00D336878S

United States Patent [19]

[11] Patent Number: **Des. 336,878**

Graf

[45] Date of Patent: **** Jun. 29, 1993**

[54] BIKE HANDLE BAR BAG

5,024,359 6/1991 Thomas 224/32 R

[75] Inventor: **John M. Graf, South Bend, Ind.**

Primary Examiner—Wallace R. Burke

Assistant Examiner—Melody Brown

[73] Assignee: **Firefly Safety Vest, Inc., South Bend, Ind.**

Attorney, Agent, or Firm—James D. Hall

[**] Term: **14 Years**

[57] CLAIM

The ornamental design for a bike handle bar bag, as shown.

[21] Appl. No.: **771,257**

DESCRIPTION

[22] Filed: **Oct. 4, 1991**

[52] U.S. Cl. **D12/158**

[58] Field of Search **D12/158; 224/52 A, 52 R, 224/50 R, 30 A, 41, 42**

FIG. 1 is a side perspective view of a bike handle bar bag showing my new design;

FIG. 2 is a top plan view thereof;

FIG. 3 is a front elevational view thereof;

FIG. 4 is a rear elevational view thereof;

FIG. 5 is a bottom plan view thereof;

FIG. 6 is a right end elevational view thereof; and,

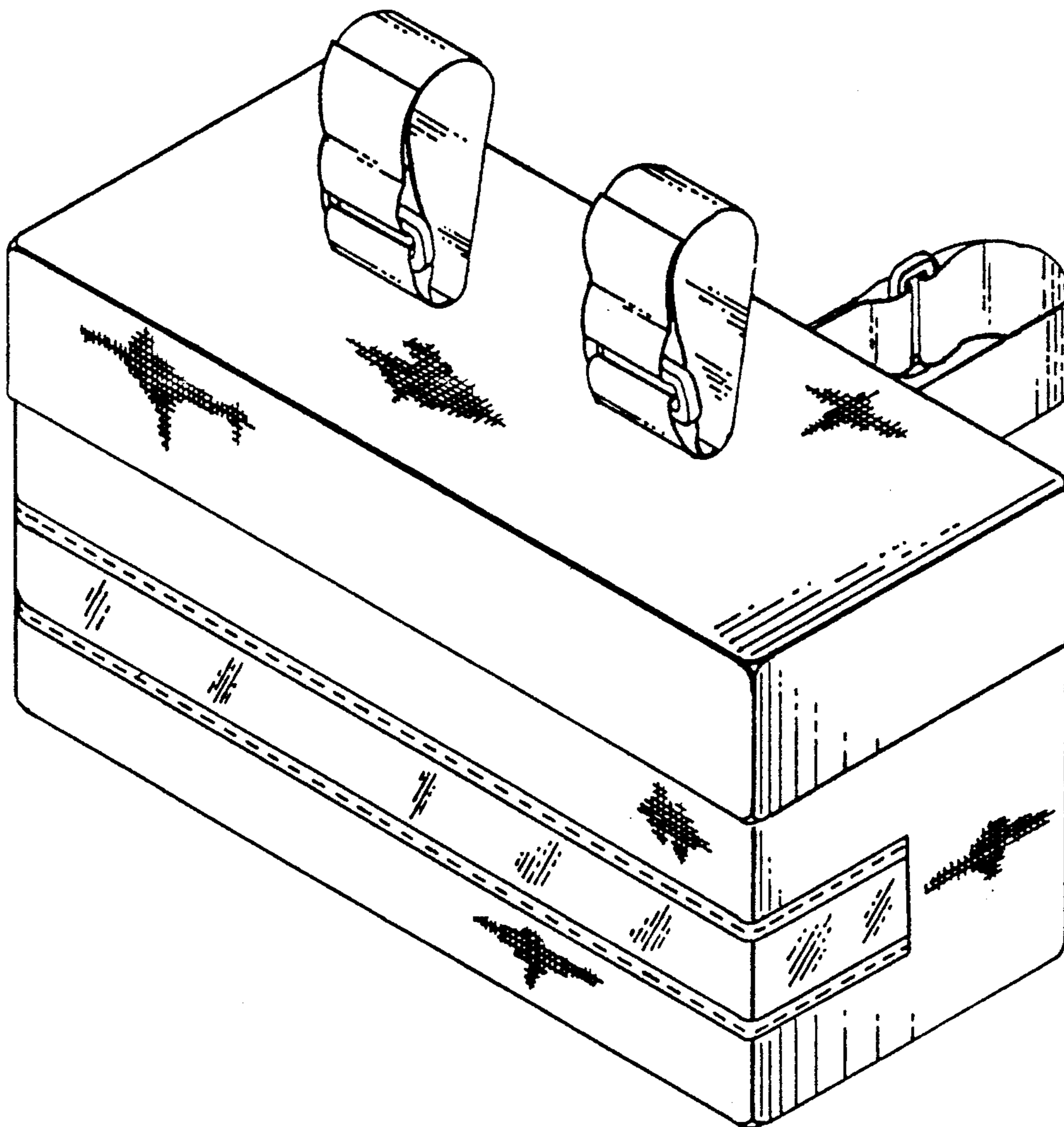
FIG. 7 is a left and elevational view thereof.

The partially shown cross line shading shown on the surfaces is intended to represent a conventional fabric and is understood to cover the surfaces indicated.

[56] References Cited

U.S. PATENT DOCUMENTS

| | | | | |
|------------|--------|------------------|-------|----------|
| D. 507,733 | 5/1990 | Kushitani | | D12/158 |
| 4,260,086 | 4/1981 | Hine, Jr. et al. | | 224/41 |
| 4,313,548 | 2/1982 | Edelson | | 224/42 |
| 4,921,151 | 5/1990 | Duvall | | 224/32 r |



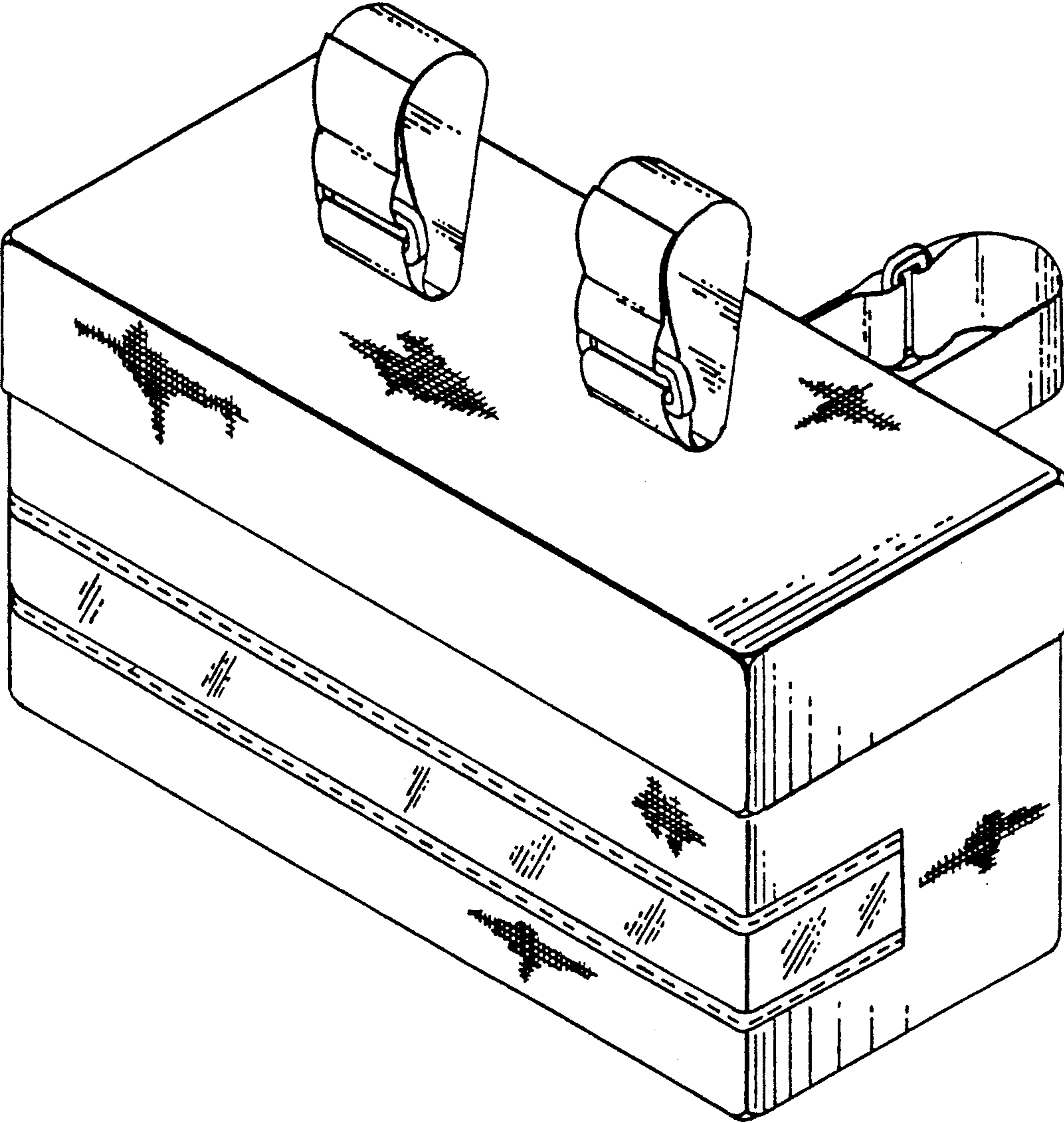


FIG. 1

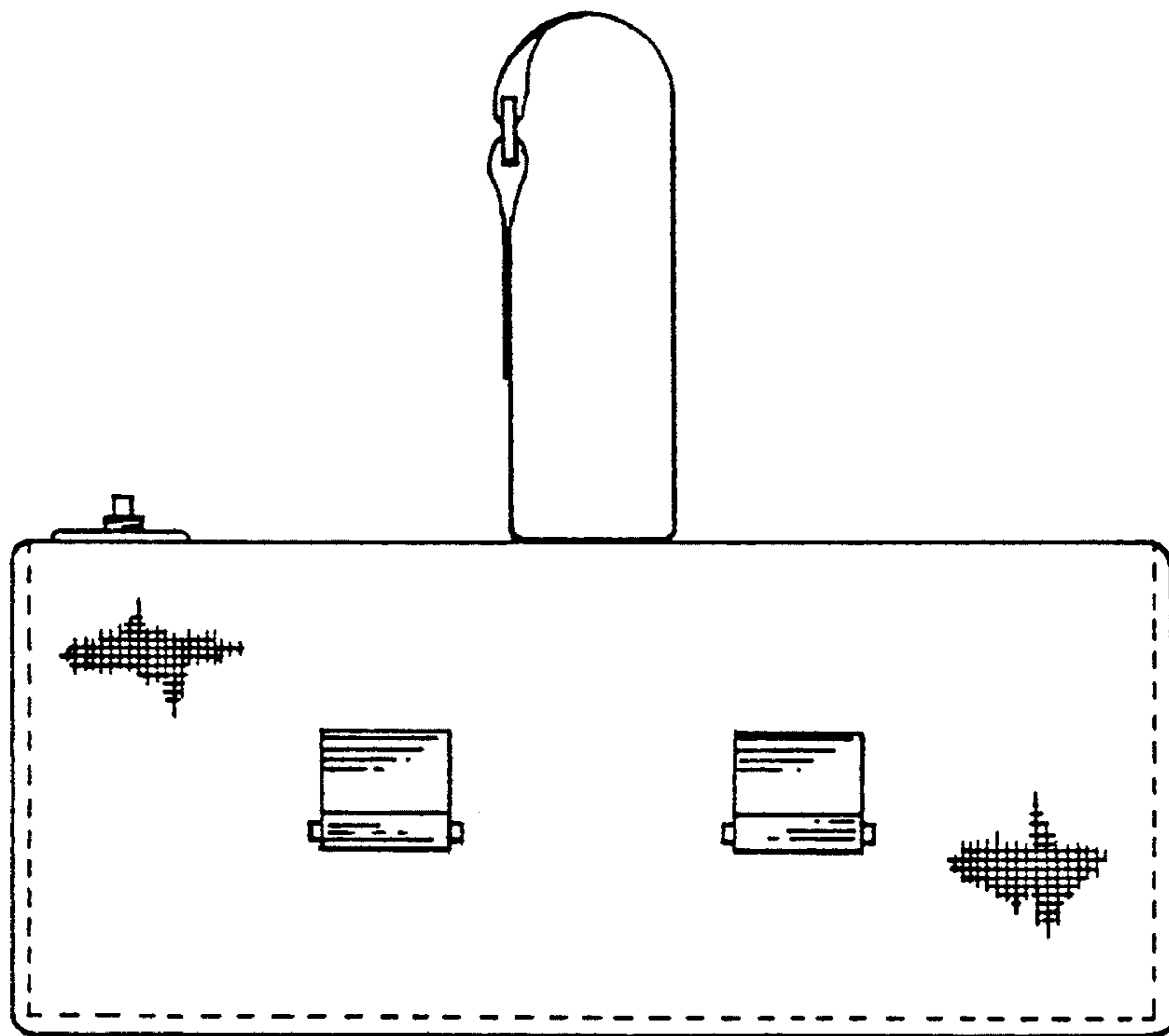


FIG. 2

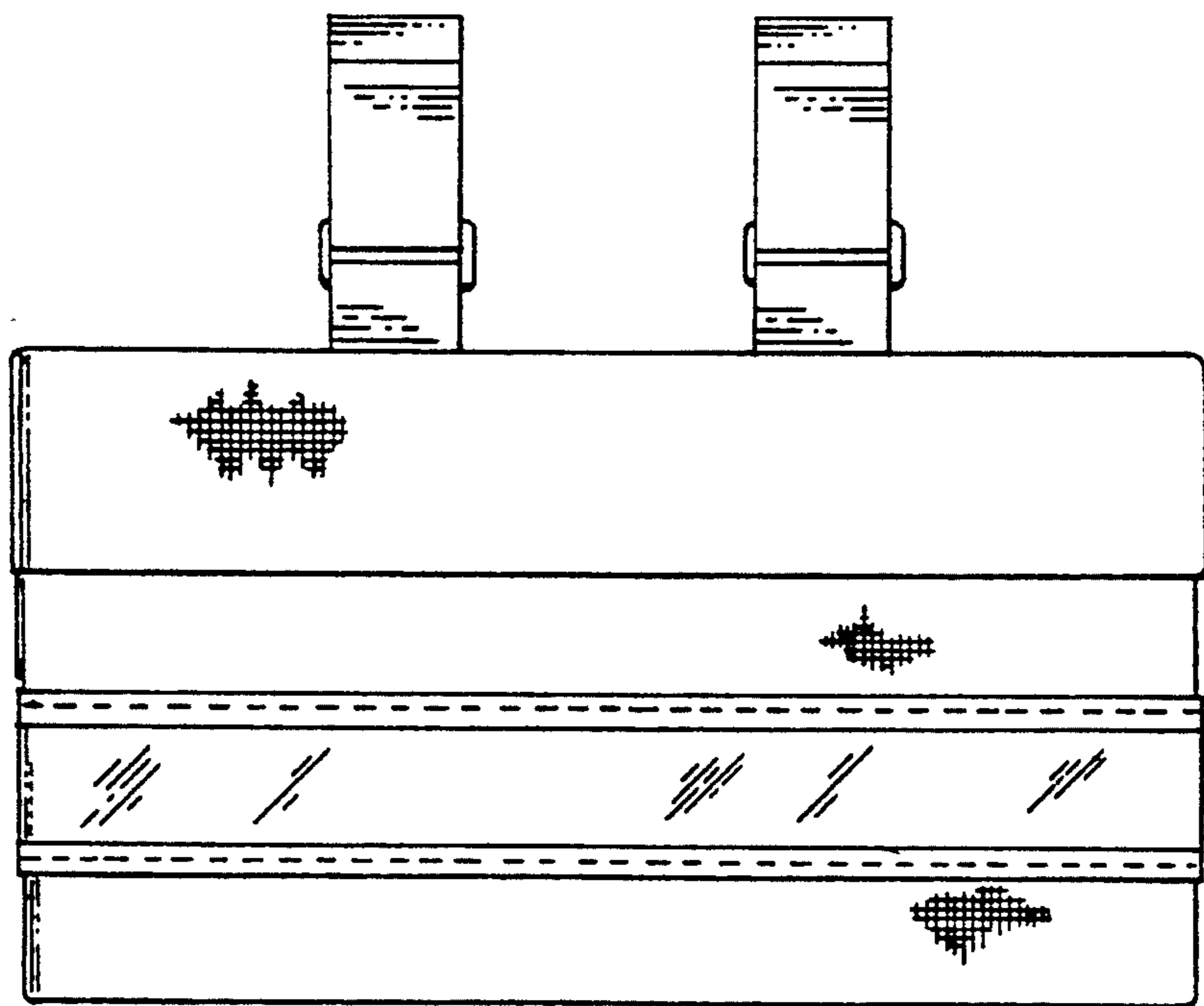


FIG. 3

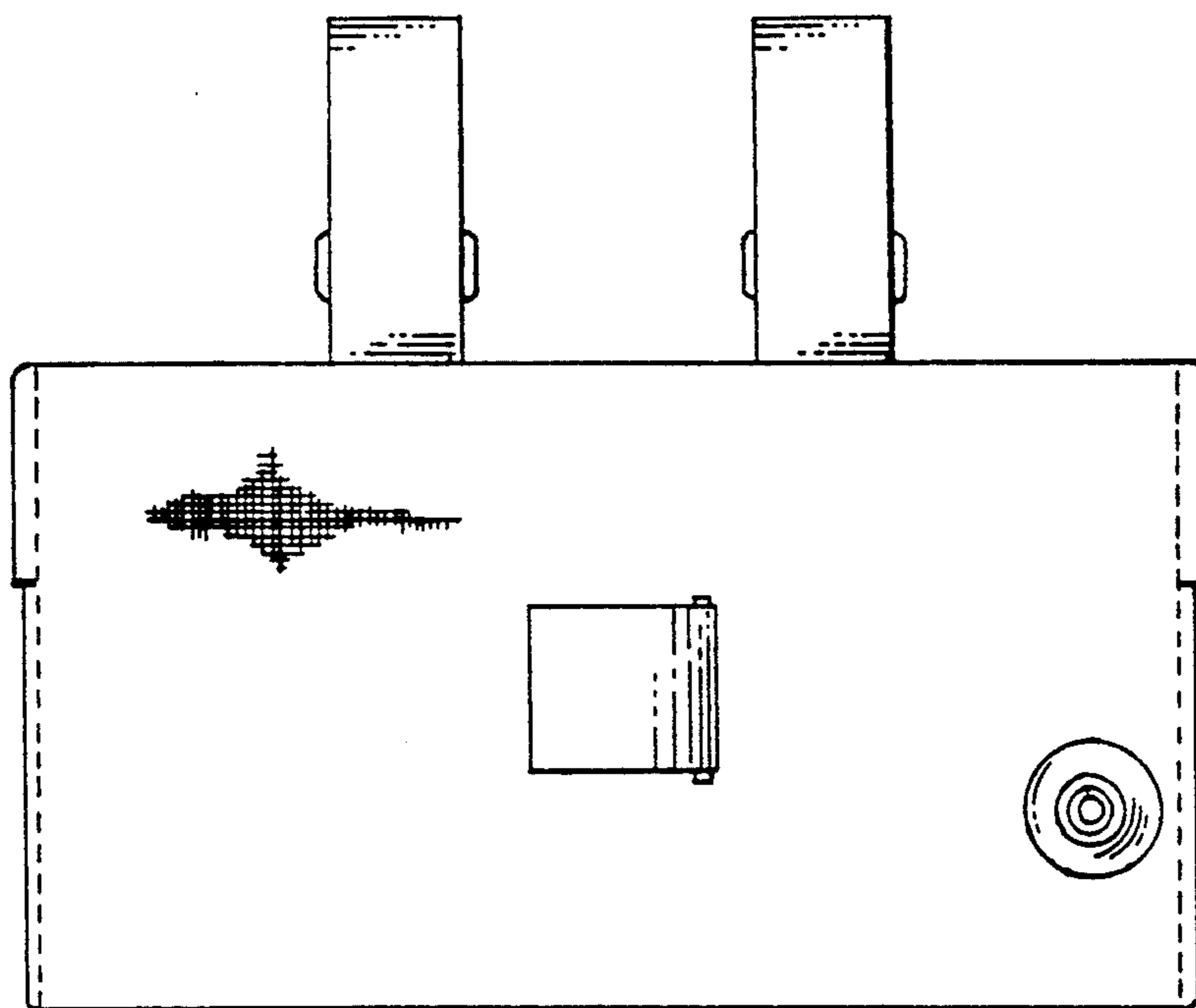


FIG. 4

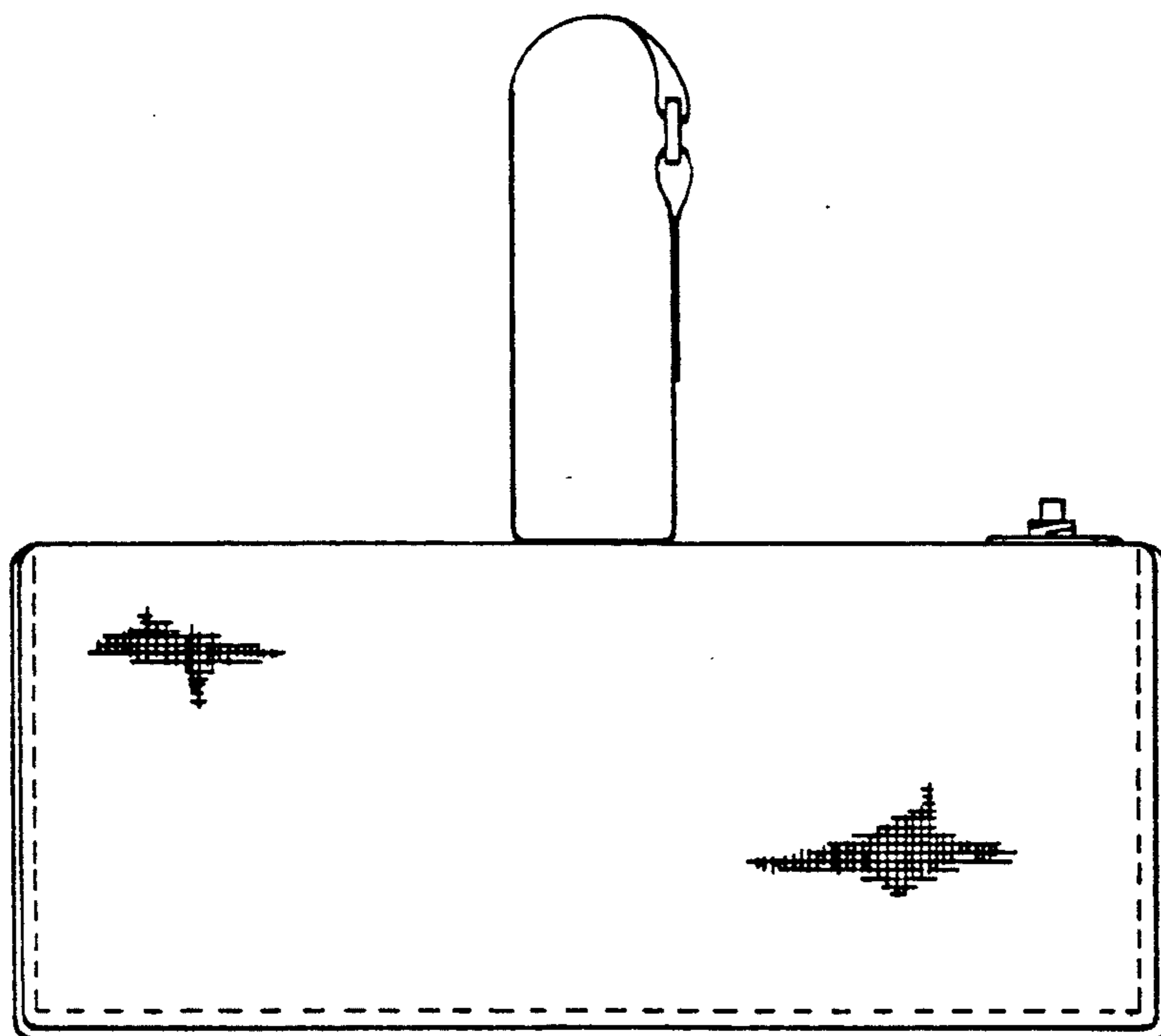


FIG. 5

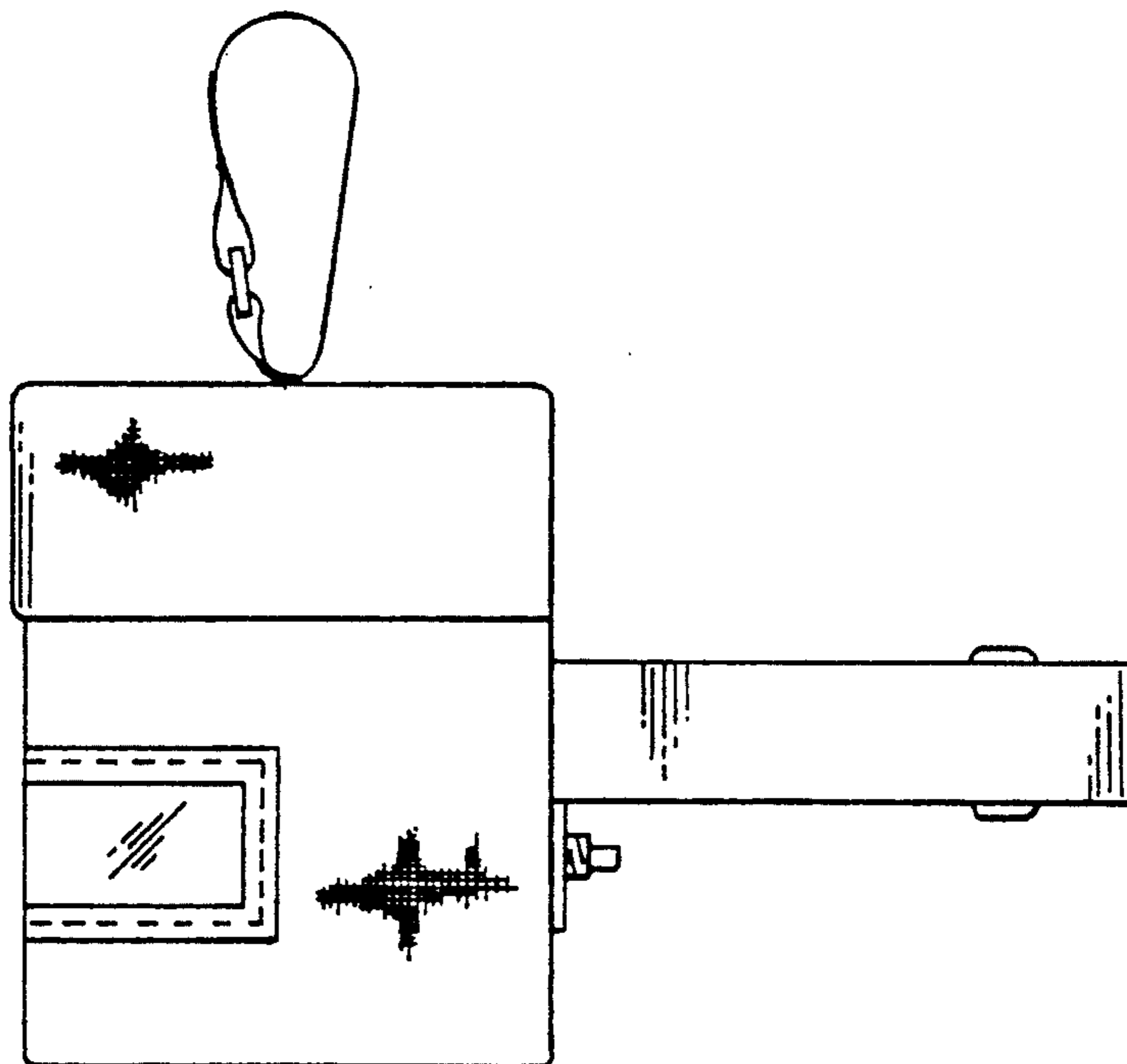


FIG. 6

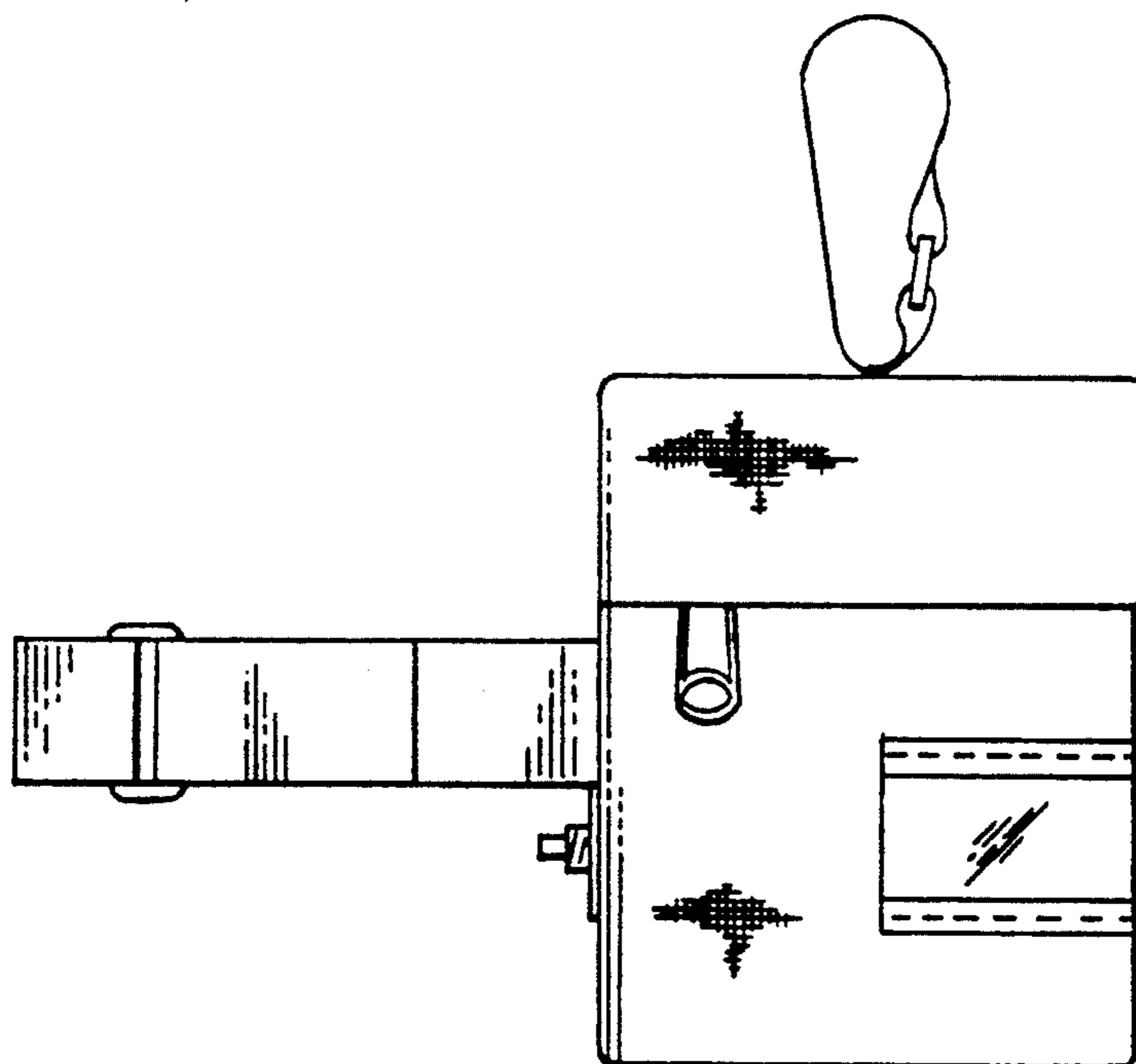


FIG. 7