



US00D336876S

# United States Patent [19]

[11] Patent Number: **Des. 336,876**

Wärnelöv

[45] Date of Patent: **\*\* Jun. 29, 1993**

[54] **CARRIER FOR BICYCLES AND MOTORCYCLES**

4,884,728 12/1989 Temple ..... 224/42.03 B

[76] Inventor: **Johnny Wärnelöv**, Södergatan 39, S-573 00 Tranås, Sweden

*Primary Examiner*—Wallace R. Burke  
*Assistant Examiner*—Melody Brown  
*Attorney, Agent, or Firm*—Dann, Dorfman, Herrell and Skillman

[\*\*] Term: **14 Years**

[21] Appl. No.: **554,574**

[57] **CLAIM**

[22] Filed: **Jul. 17, 1990**

The ornamental design for a carrier for bicycles and motorcycles, as shown.

[52] U.S. Cl. .... **D12/158**

[58] Field of Search ..... D12/158; 224/42.03 B

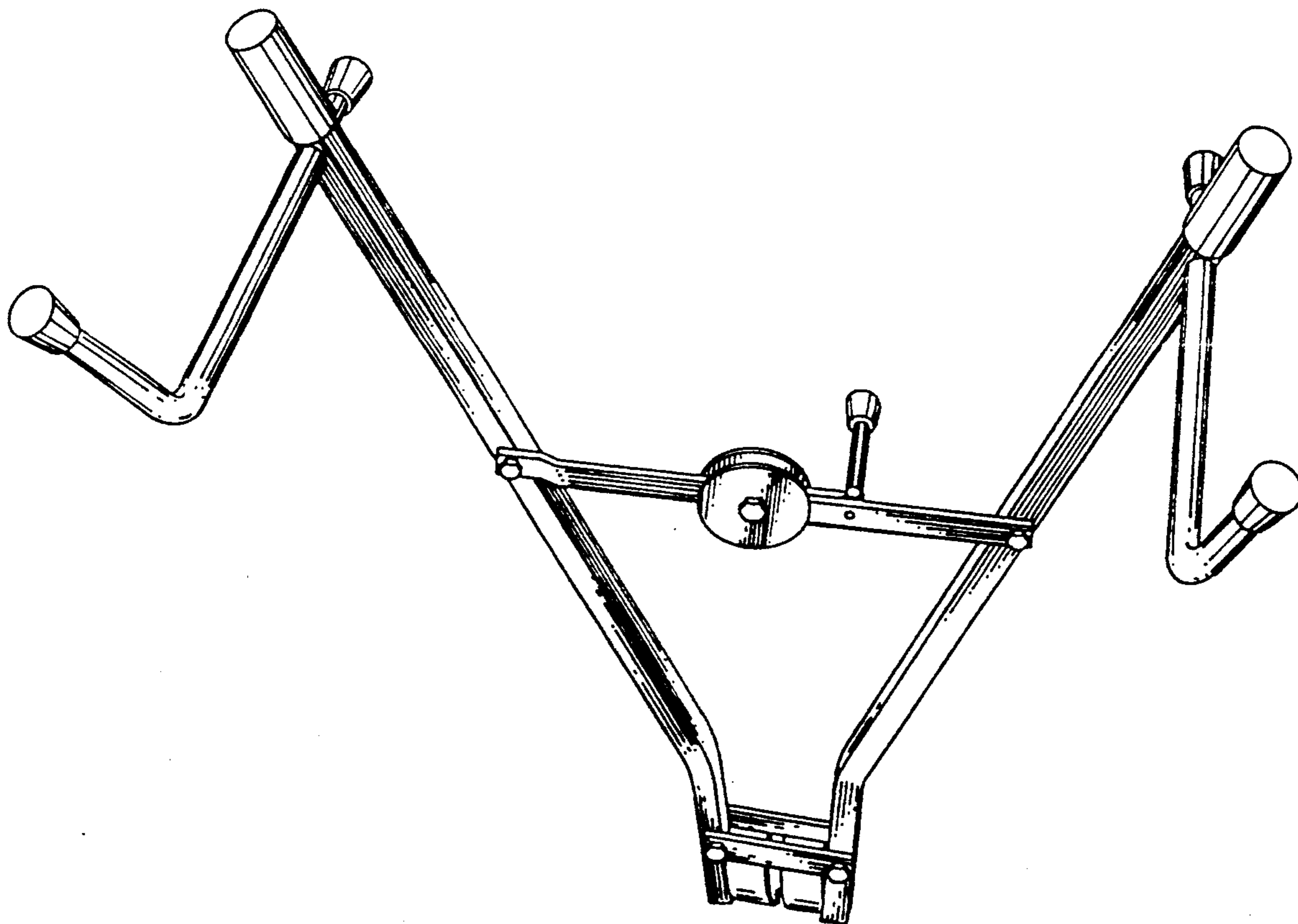
**DESCRIPTION**

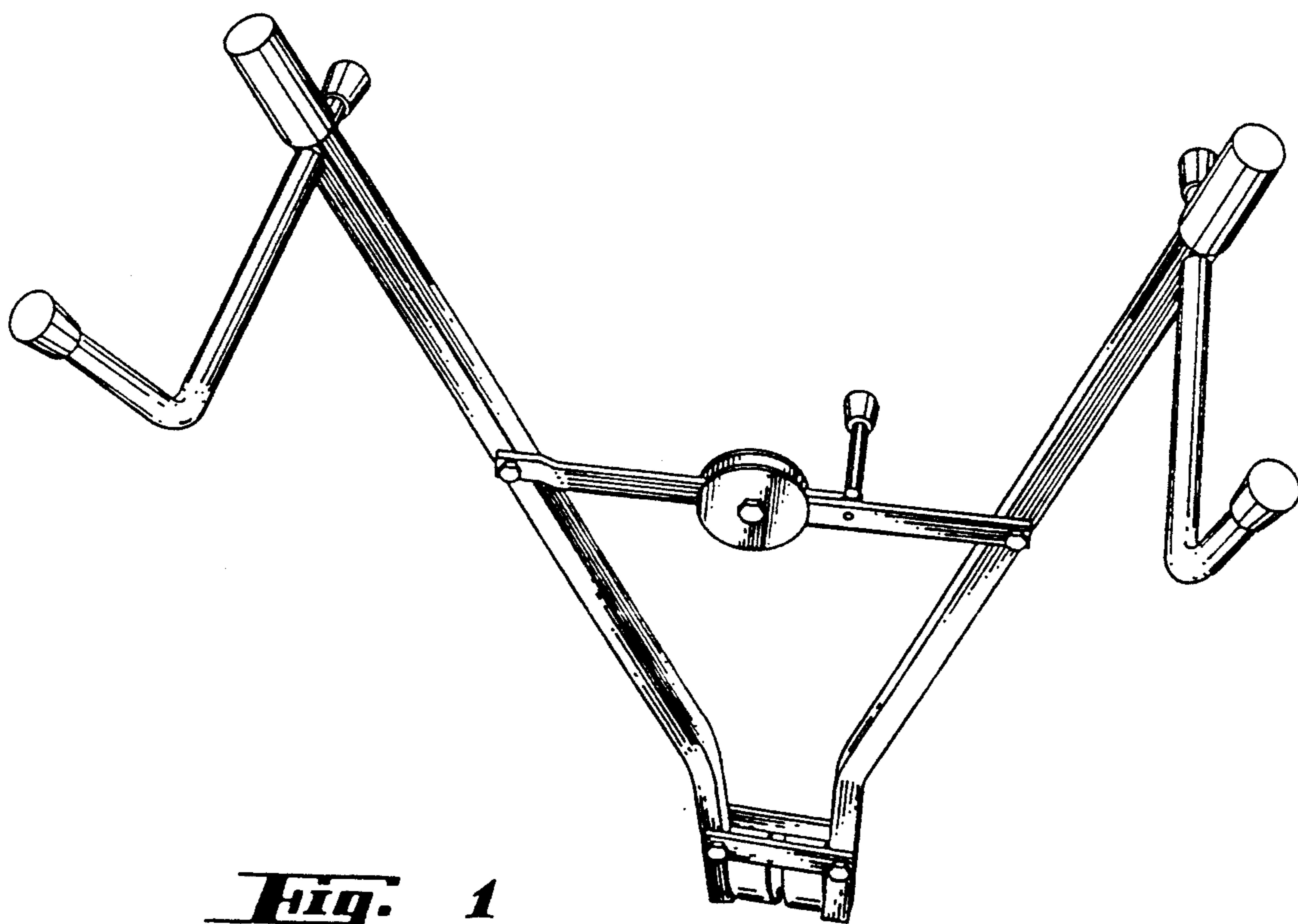
[56] **References Cited**

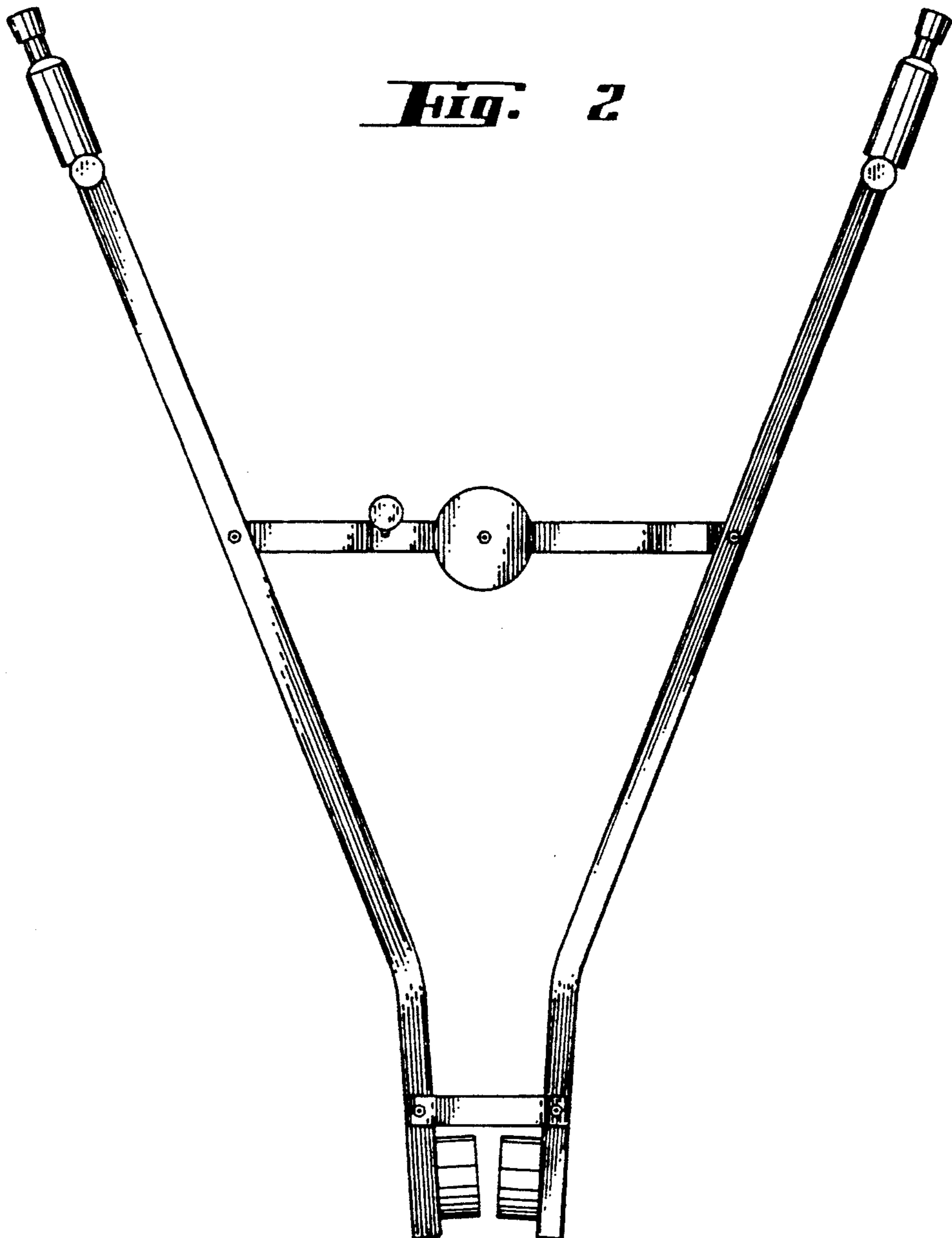
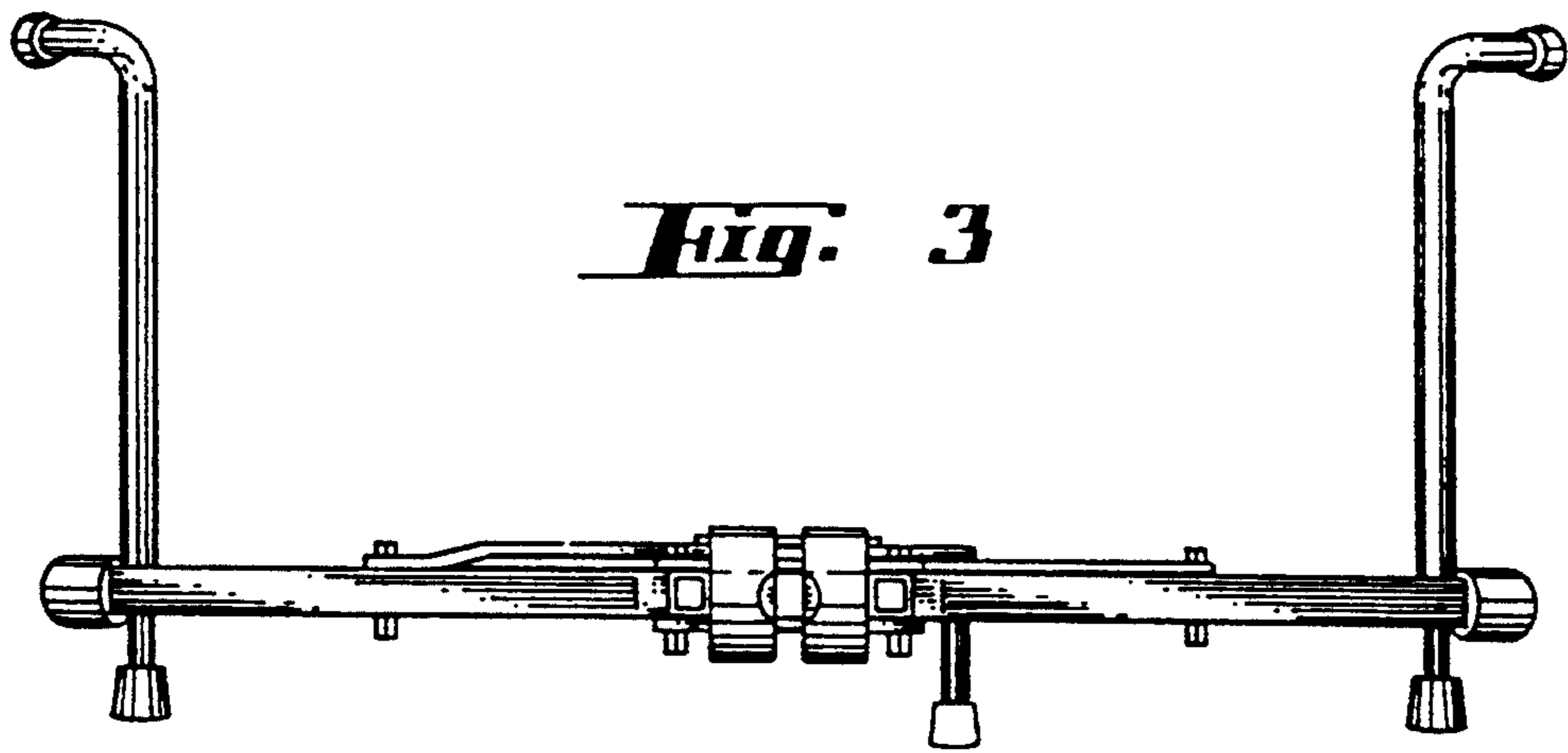
FIG. 1 is a top and front perspective view of a carrier for bicycles and motorcycles showing my new design; FIG. 2 is a front elevational view thereof; FIG. 3 is a bottom plan view thereof; and, FIG. 4 is a side elevational view thereof.

**U.S. PATENT DOCUMENTS**

- 2,512,267 6/1950 Donnelley ..... D12/158
- 4,875,608 10/1989 Graber ..... 224/42.03 B







*Fig. 4*

