



US00D336874S

United States Patent [19]

[11] Patent Number: **Des. 336,874**

Montag et al.

[45] Date of Patent: **** Jun. 29, 1993**

[54] **TIRE TREAD AND BUTTRESS**

DESCRIPTION

[75] Inventors: **Sean D. Montag**, Cuyahoga Falls, Ohio; **Billy J. Ratliff**, Inkster, Mich.; **Paul B. Maxwell**, Stow, Ohio

FIG. 1 is a front elevational view of a tire tread and buttress showing our new design;

FIG. 2 is a perspective view of FIG. 1;

FIG. 3 is another perspective view of FIG. 1;

FIG. 4 is a side elevational view of FIG. 1 on a reduced scale;

FIG. 5 is another side elevational view of FIG. 1 on a reduced scale;

FIG. 6 is an enlarged fragmentary front elevational view of FIG. 1;

FIG. 7 is a front elevational view of a tire tread and buttress showing another embodiment of our design;

FIG. 8 is a perspective view of FIG. 7;

FIG. 9 is another perspective view of FIG. 7;

FIG. 10 is a side elevational view of FIG. 7 on a reduced scale;

FIG. 11 is another side elevational view of FIG. 7 on a reduced scale; and,

FIG. 12 is an enlarged fragmentary front view of FIG. 7.

[73] Assignee: **The Goodyear Tire & Rubber Company**, Akron, Ohio

[**] Term: **14 Years**

[21] Appl. No.: **748,162**

[22] Filed: **Aug. 19, 1991**

[52] U.S. Cl. **D12/147**

[58] Field of Search **D12/136, 138, 146-151; 152/209 R, 209 A, 209 B, 209 D**

[56] **References Cited**

U.S. PATENT DOCUMENTS

D. 314,737 2/1991 Covert et al. **D12/147**

D. 318,036 7/1991 Maxwell et al. **D12/147**

Primary Examiner—James M. Gandy

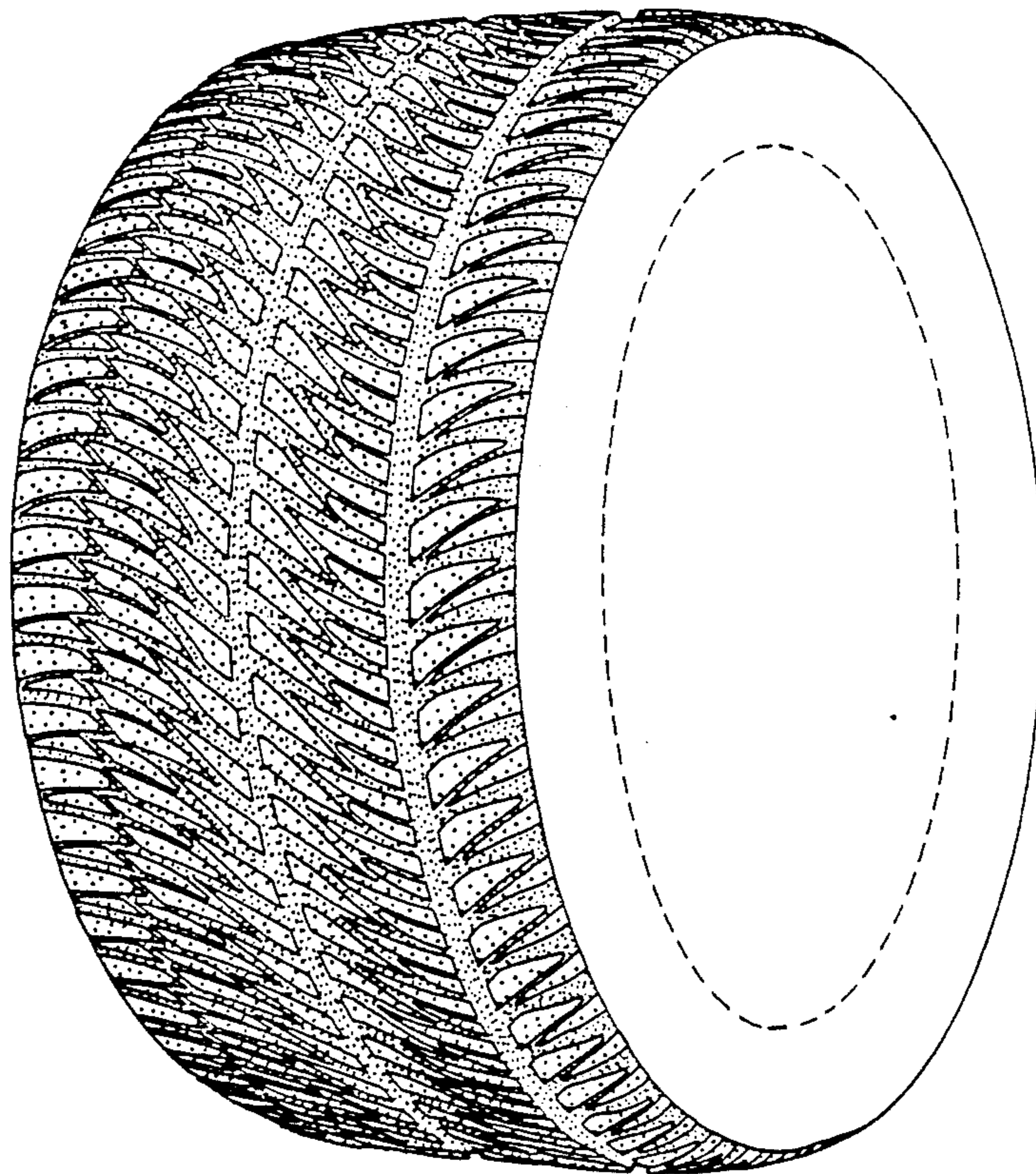
Attorney, Agent, or Firm—T. P. Lewandowski

[57] **CLAIM**

The ornamental design for a tire tread and buttress, as shown and described.

The pattern is understood to be repeated uniformly throughout the circumference of the tread and buttress and the solid line segments between the outer edges of the shoulder ribs are for the purpose of defining the peripheral boundary of the tread and buttress and form no part of the claimed design.

The broken line showing of the tire sidewall in the drawings is for illustrative purposes only and forms no part of the claimed design.



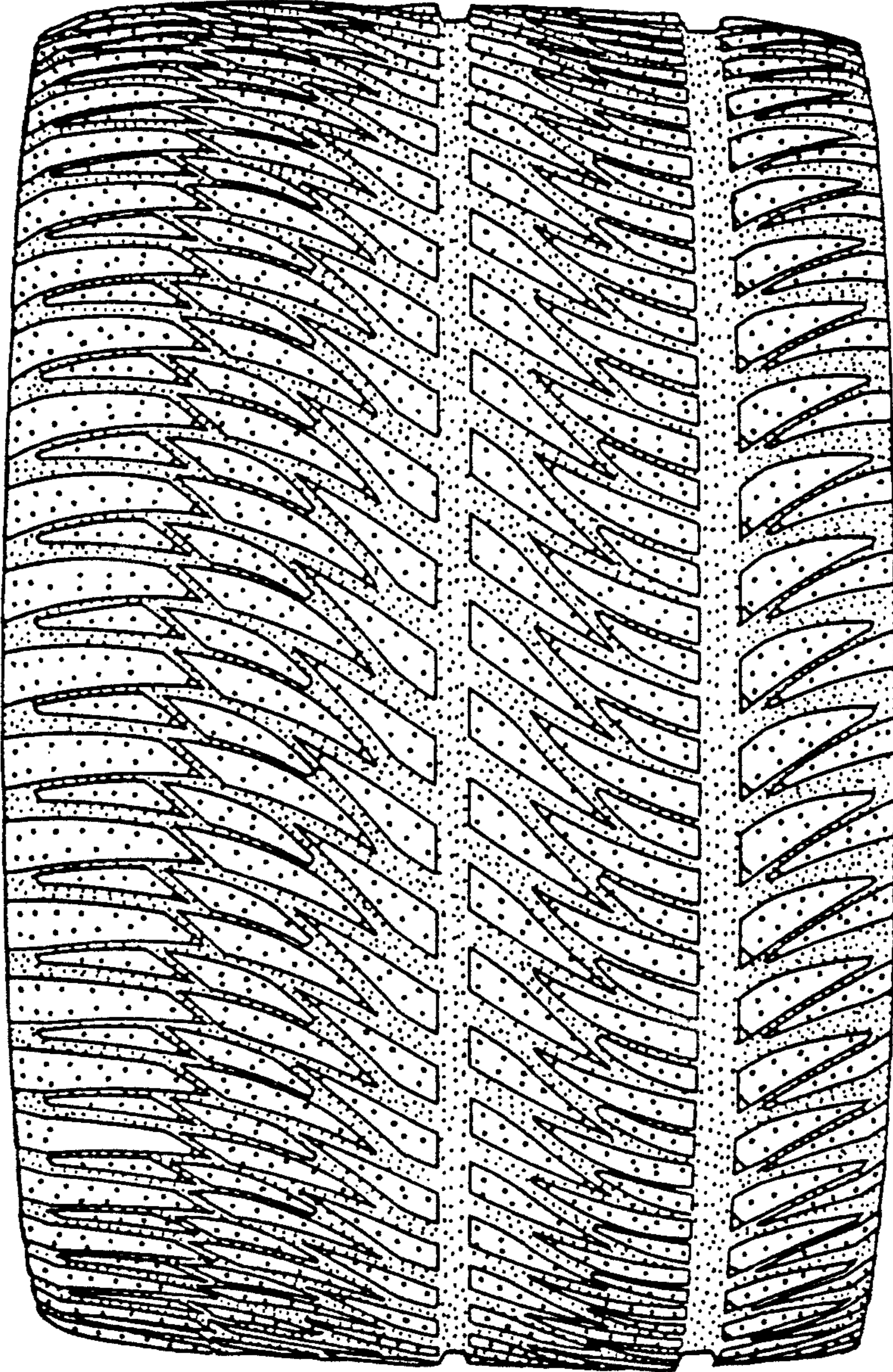


FIG. 1

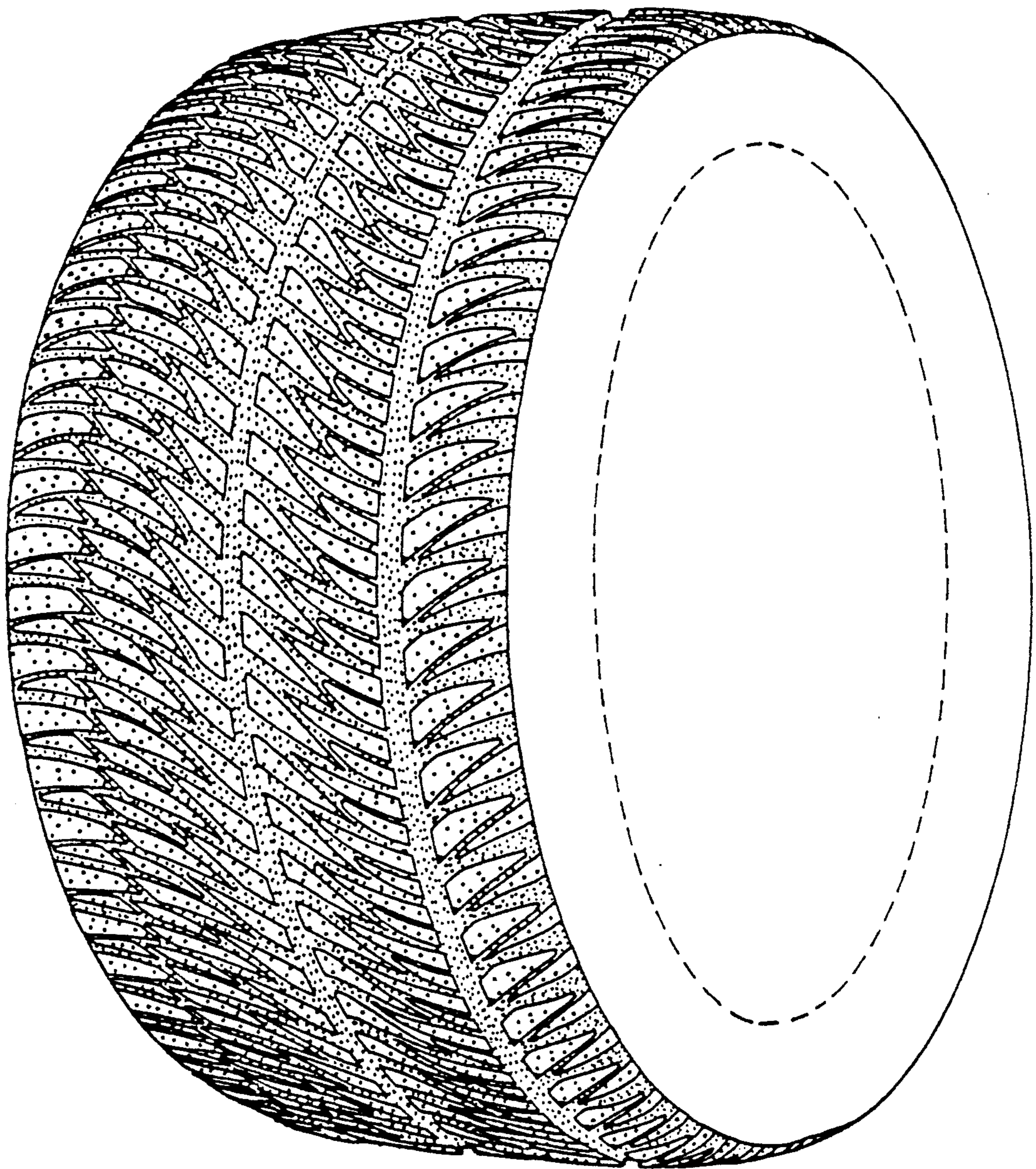


FIG. 2

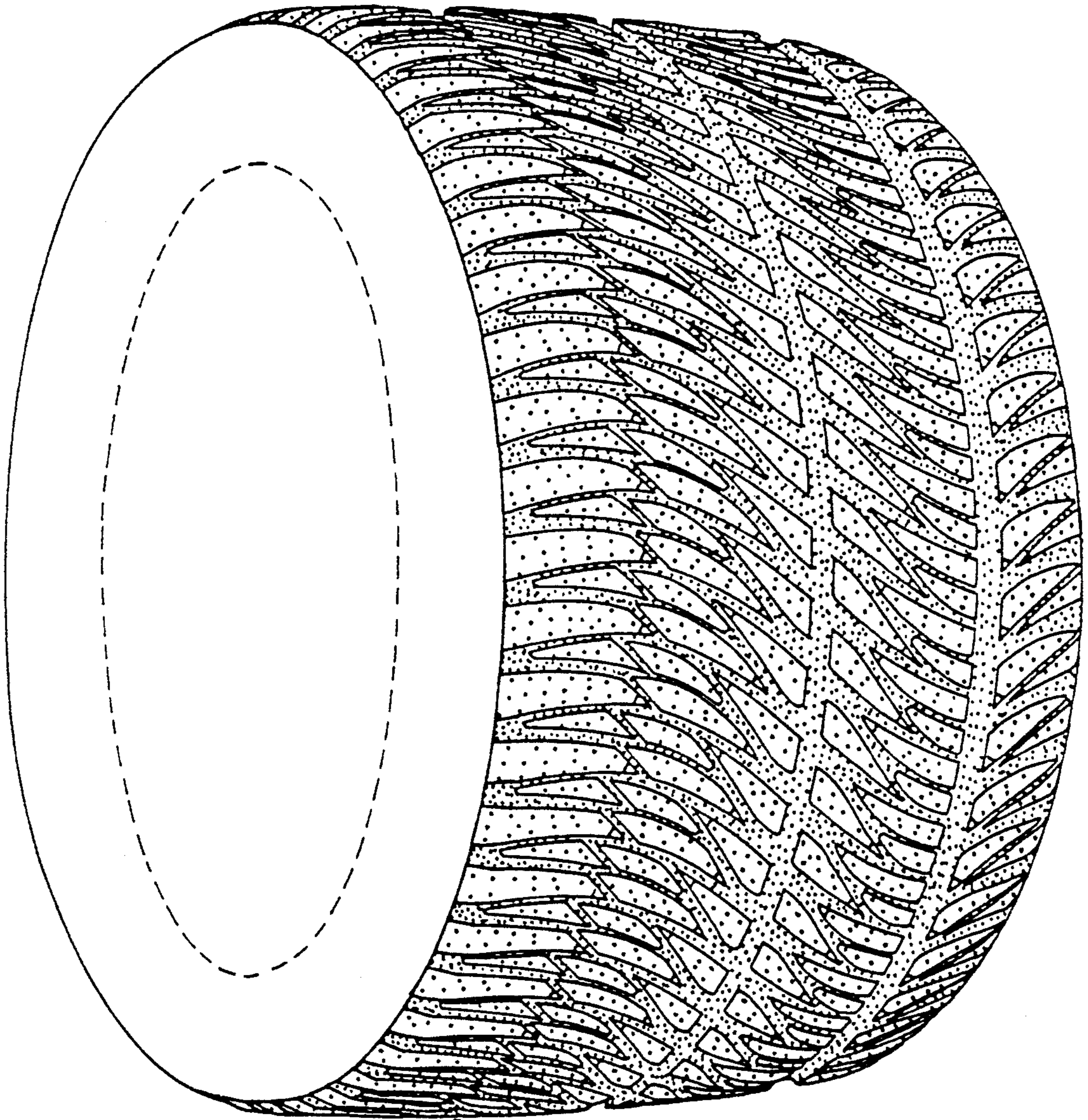


FIG. 3

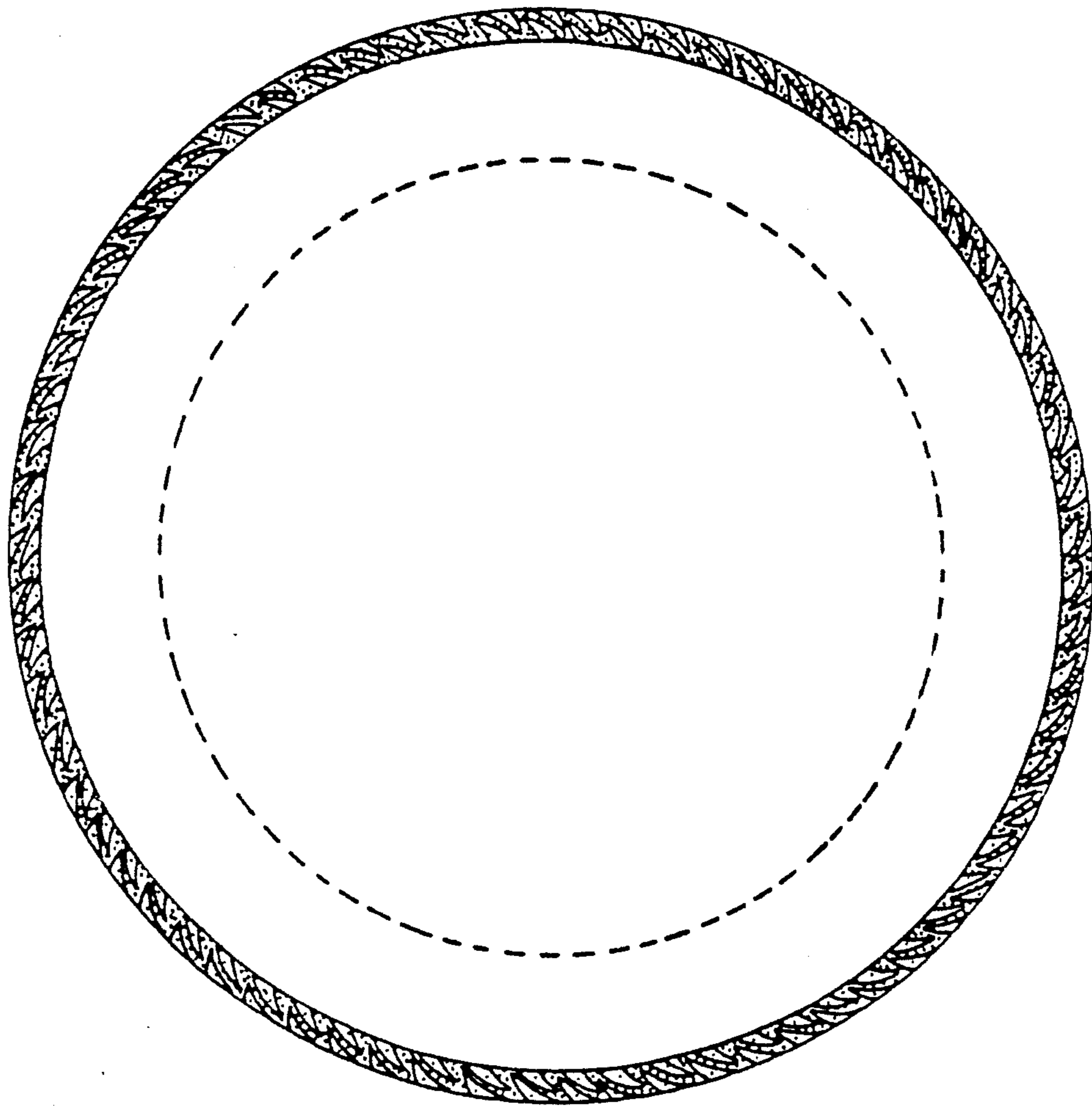


FIG. 4

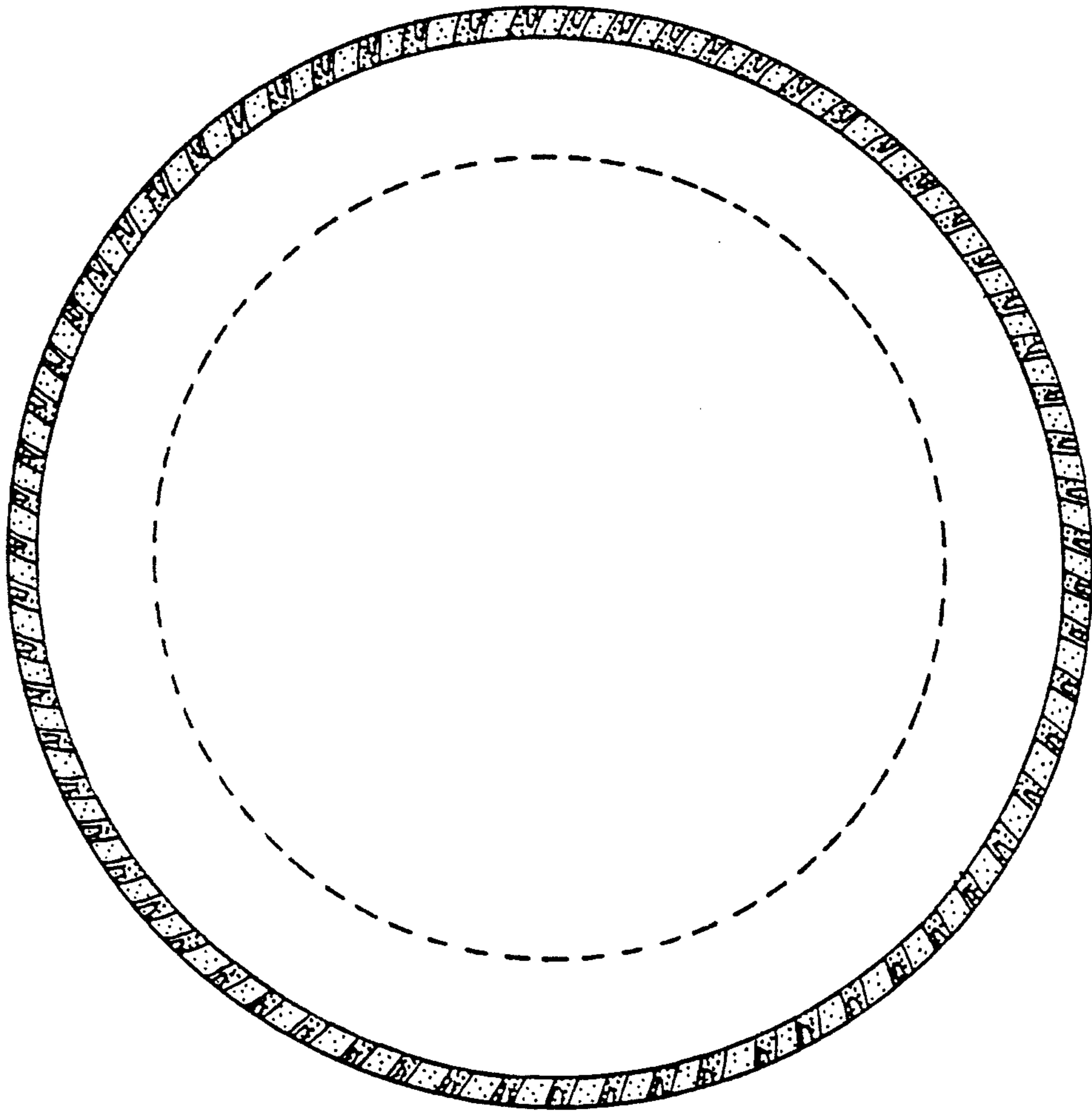


FIG. 5

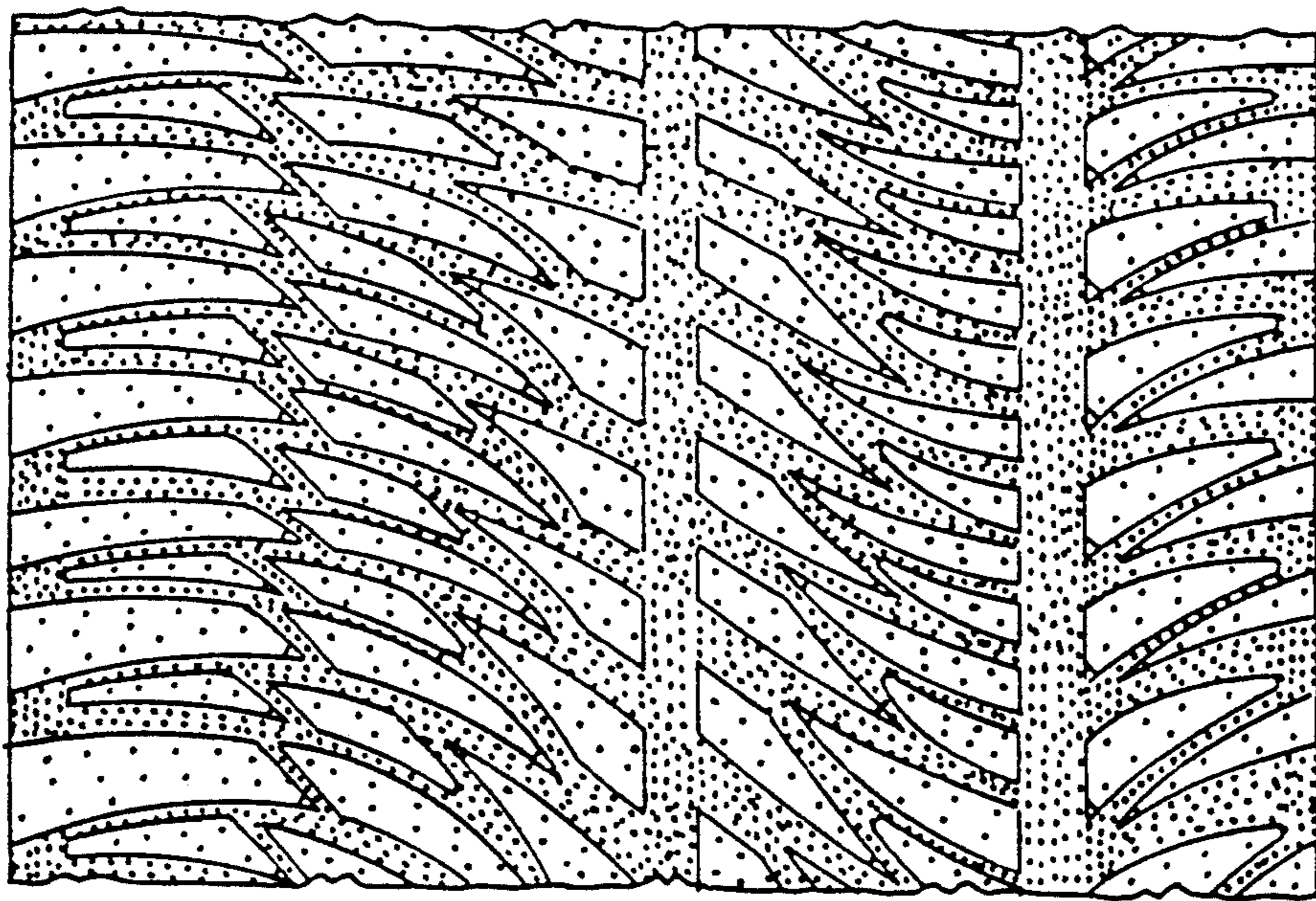


FIG. 6

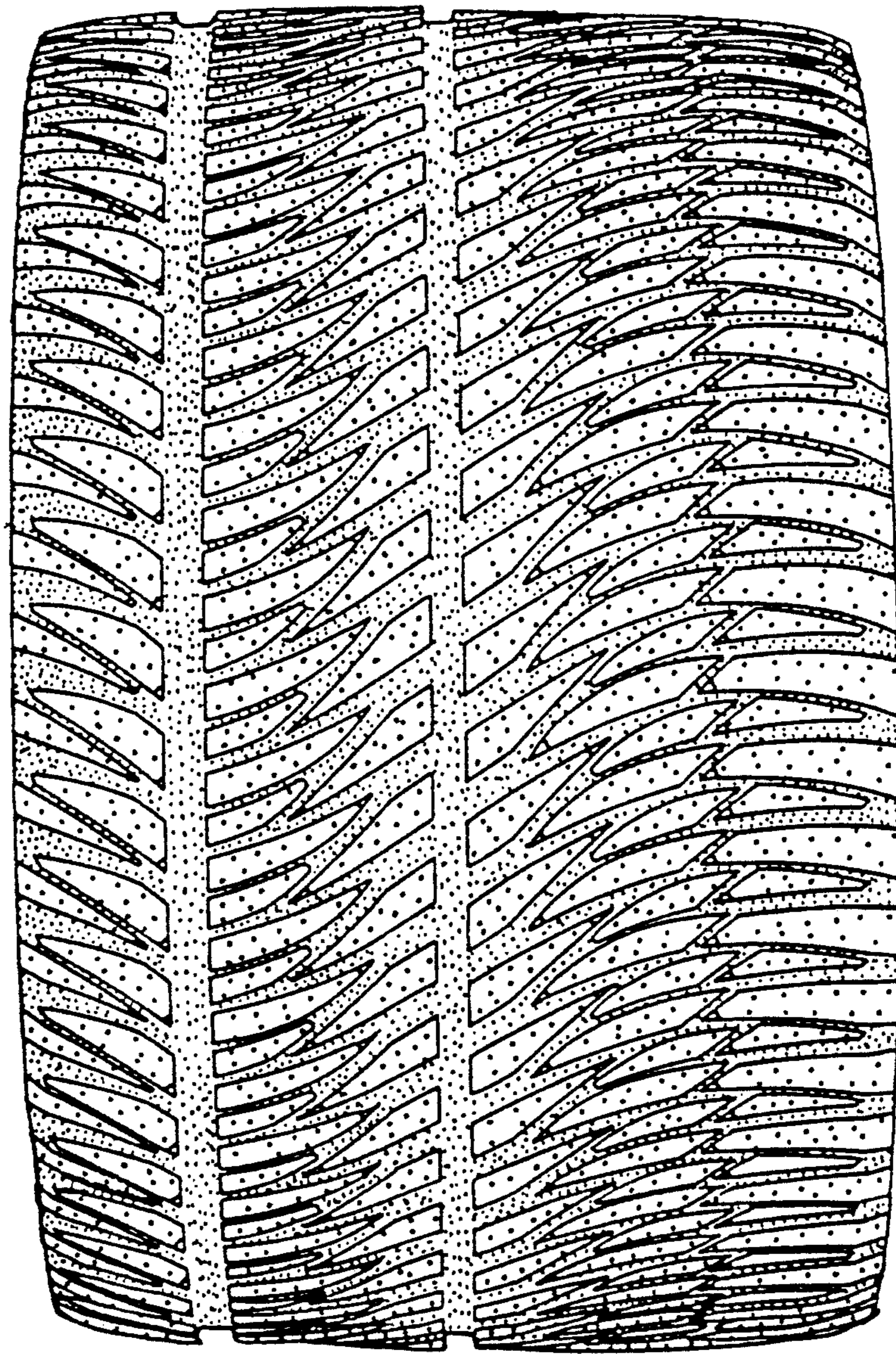


FIG. 7

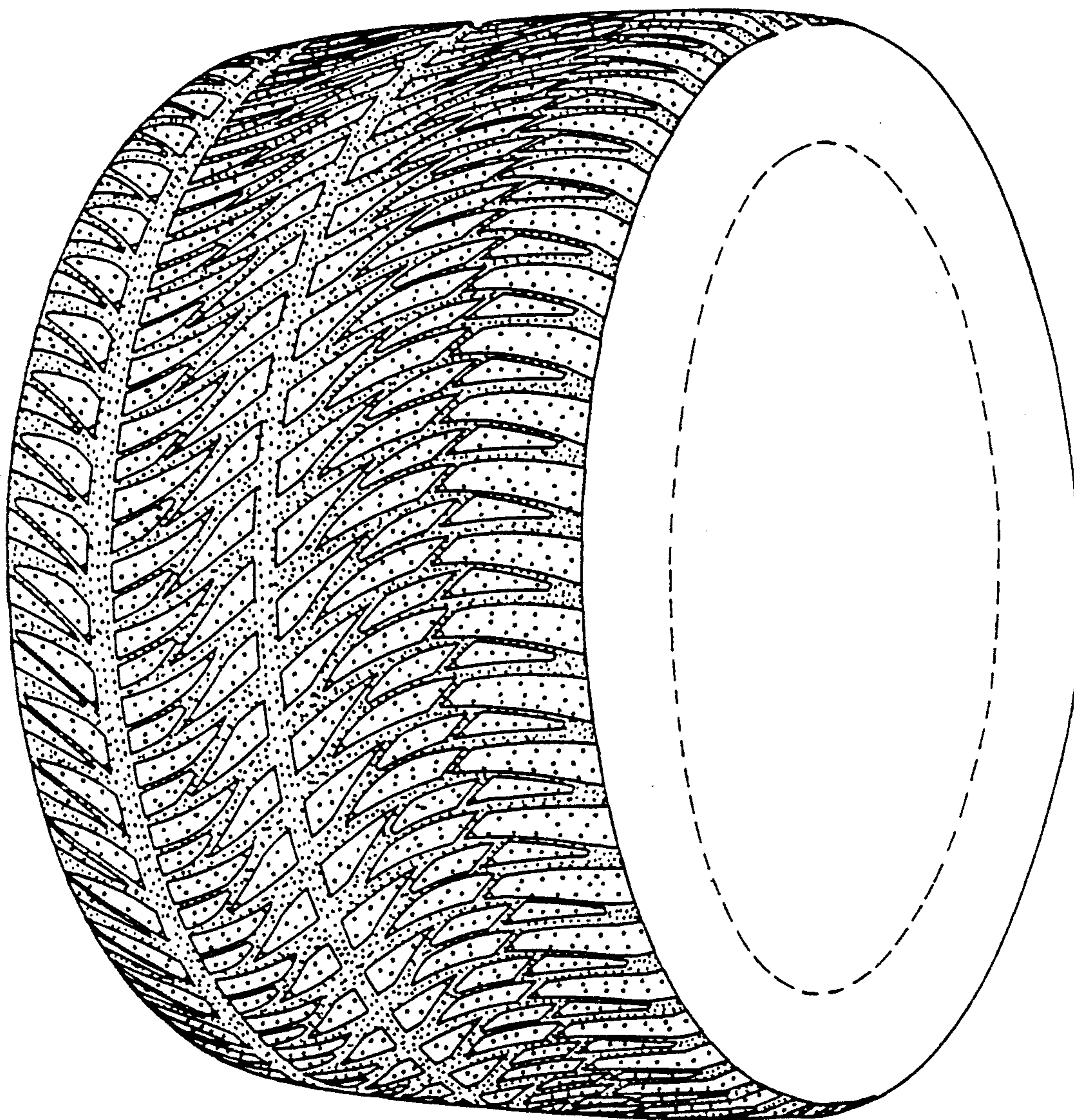


FIG. 8

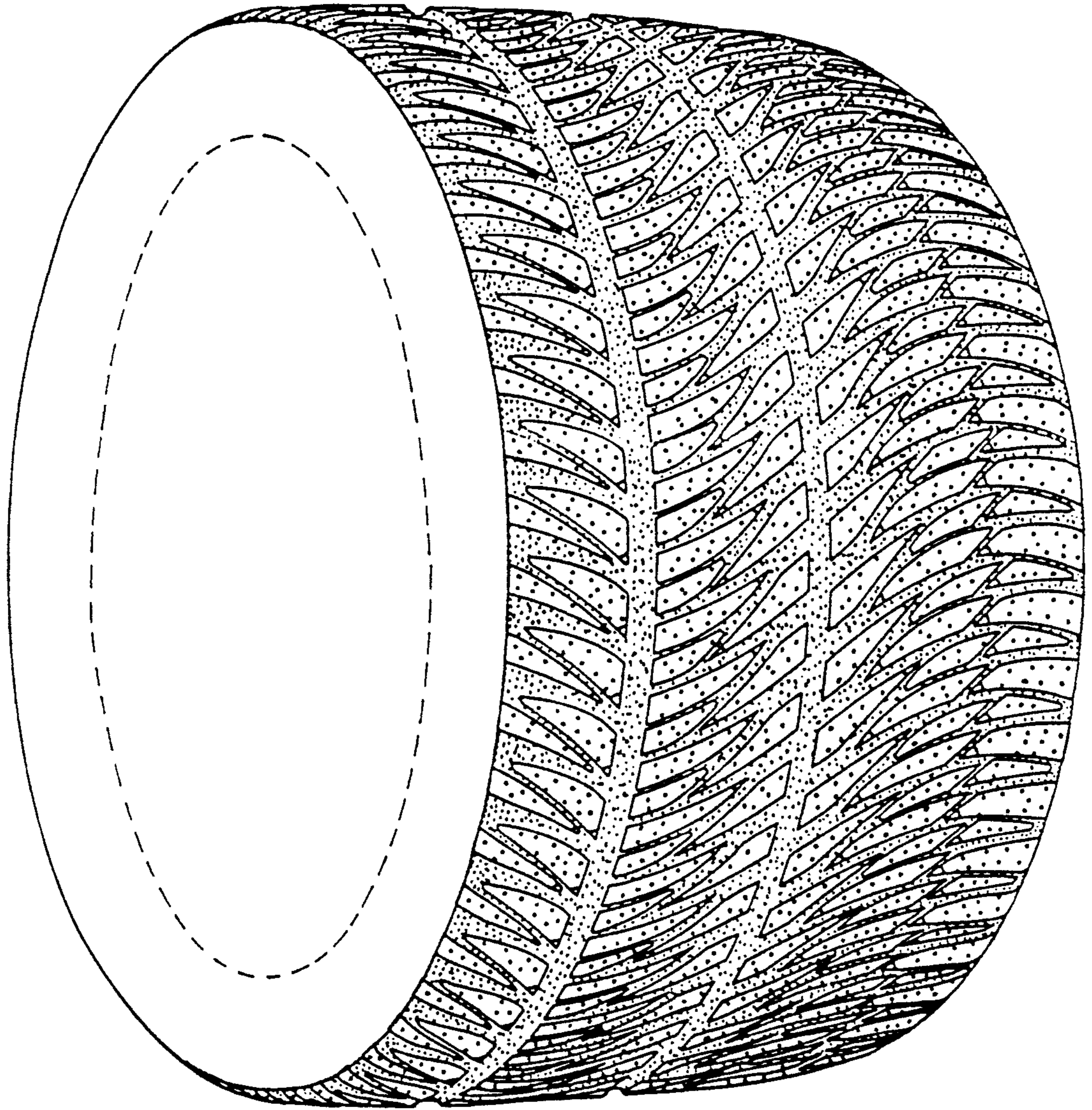


FIG. 9

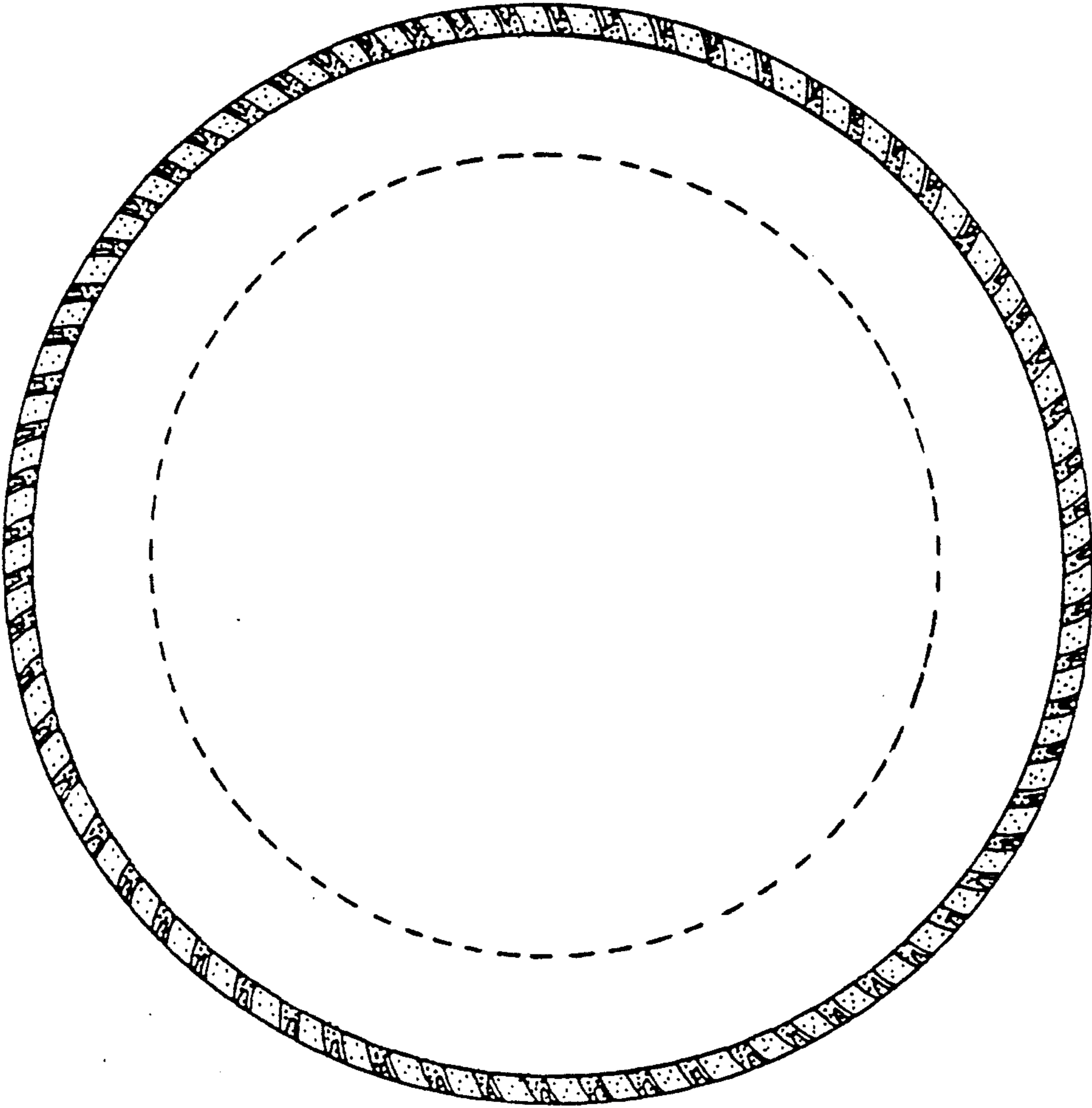


FIG. 10

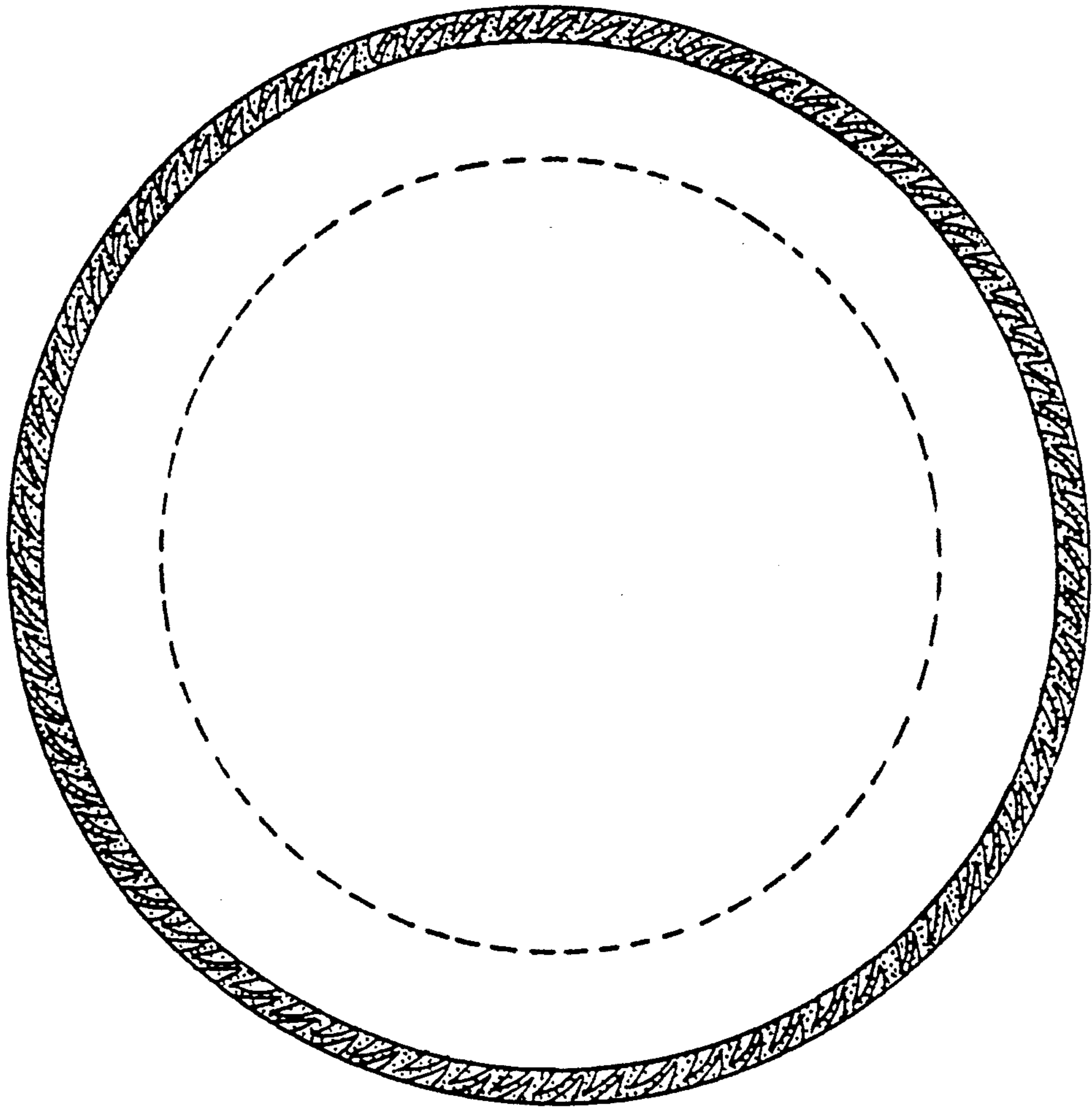


FIG. II

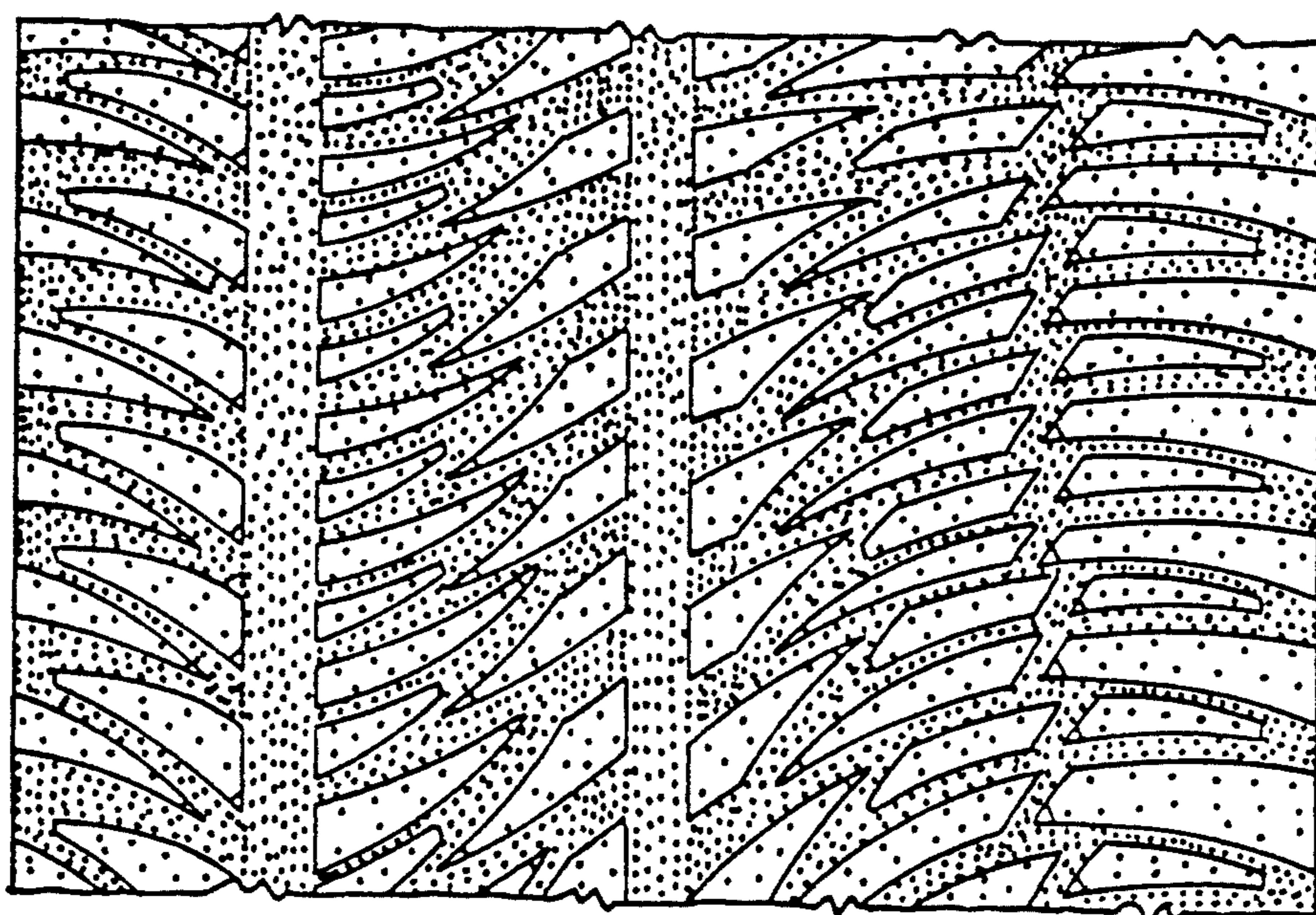


FIG. 12